

[54] **COLLAPSIBLE SAWHORSE**

4,574,917 3/1986 Stoddard 182/181

[76] **Inventor: Craig Hall, 110 East Ave., Akron, N.Y. 14001**

Primary Examiner—A. Hugo Word
Assistant Examiner—Doris Clark
Attorney, Agent, or Firm—Jerry T. Kearns

[**] **Term: 14 Years**

[21] **Appl. No.: 239,975**

[57] **CLAIM**

The ornamental design for a collapsible sawhorse, as shown and described.

[22] **Filed: Sep. 2, 1988**

[52] **U.S. Cl. D25/67**

[58] **Field of Search D25/67; 182/181, 182, 182/183, 184, 185, 151**

DESCRIPTION

FIG. 1 is a front elevational view of a collapsible sawhorse showing my new design;
FIG. 2 is a rear elevational view thereof;
FIG. 3 is a left side elevational view thereof;
FIG. 4 is a right side elevational view thereof;
FIG. 5 is a top plan view thereof; and,
FIG. 6 is a bottom plan view thereof.

[56] **References Cited**

U.S. PATENT DOCUMENTS

3,035,660	5/1962	Leon	182/181
4,105,091	8/1978	Mahan	182/181
4,291,869	9/1981	Hickman	D25/67

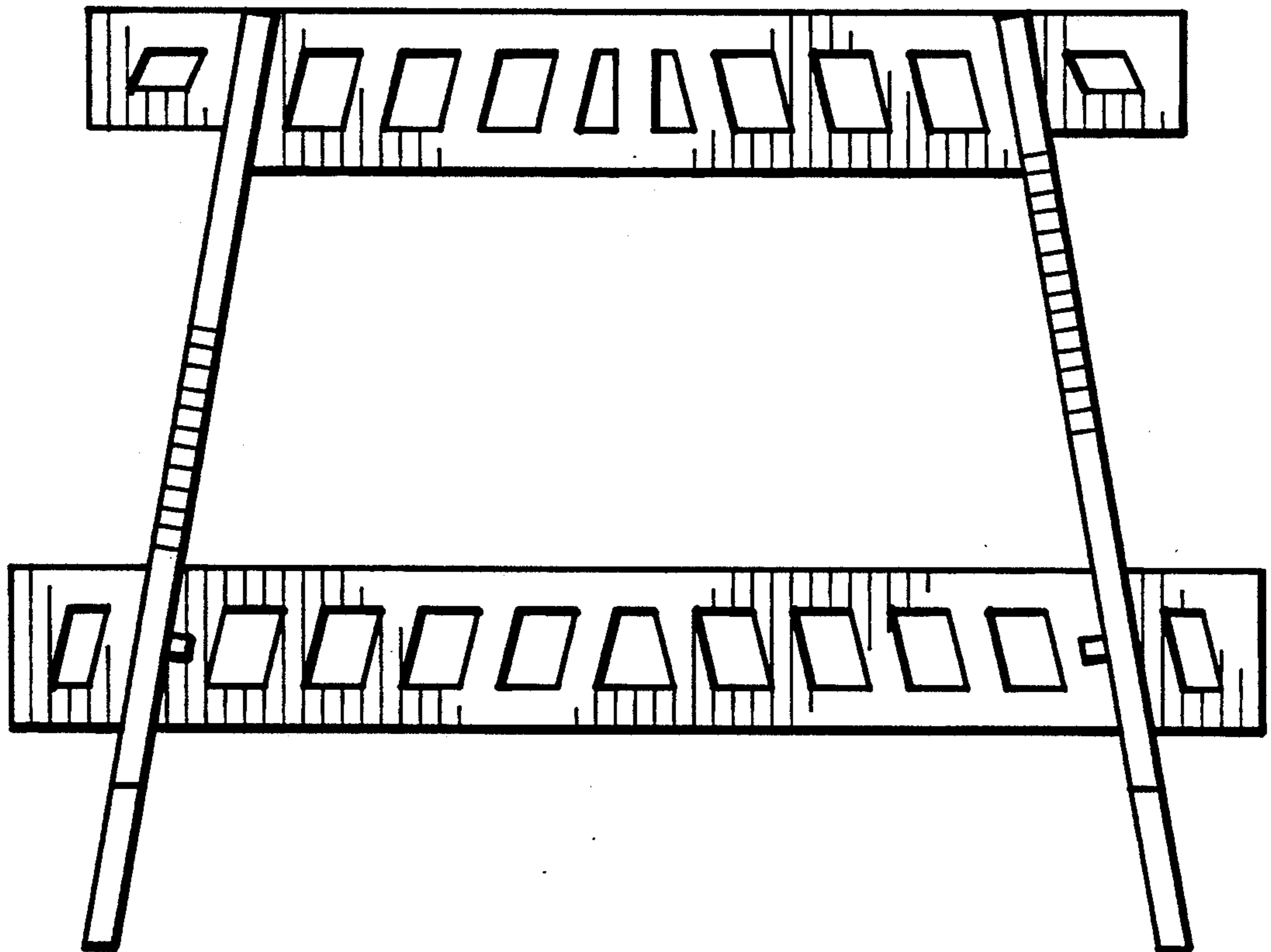


Fig. 1

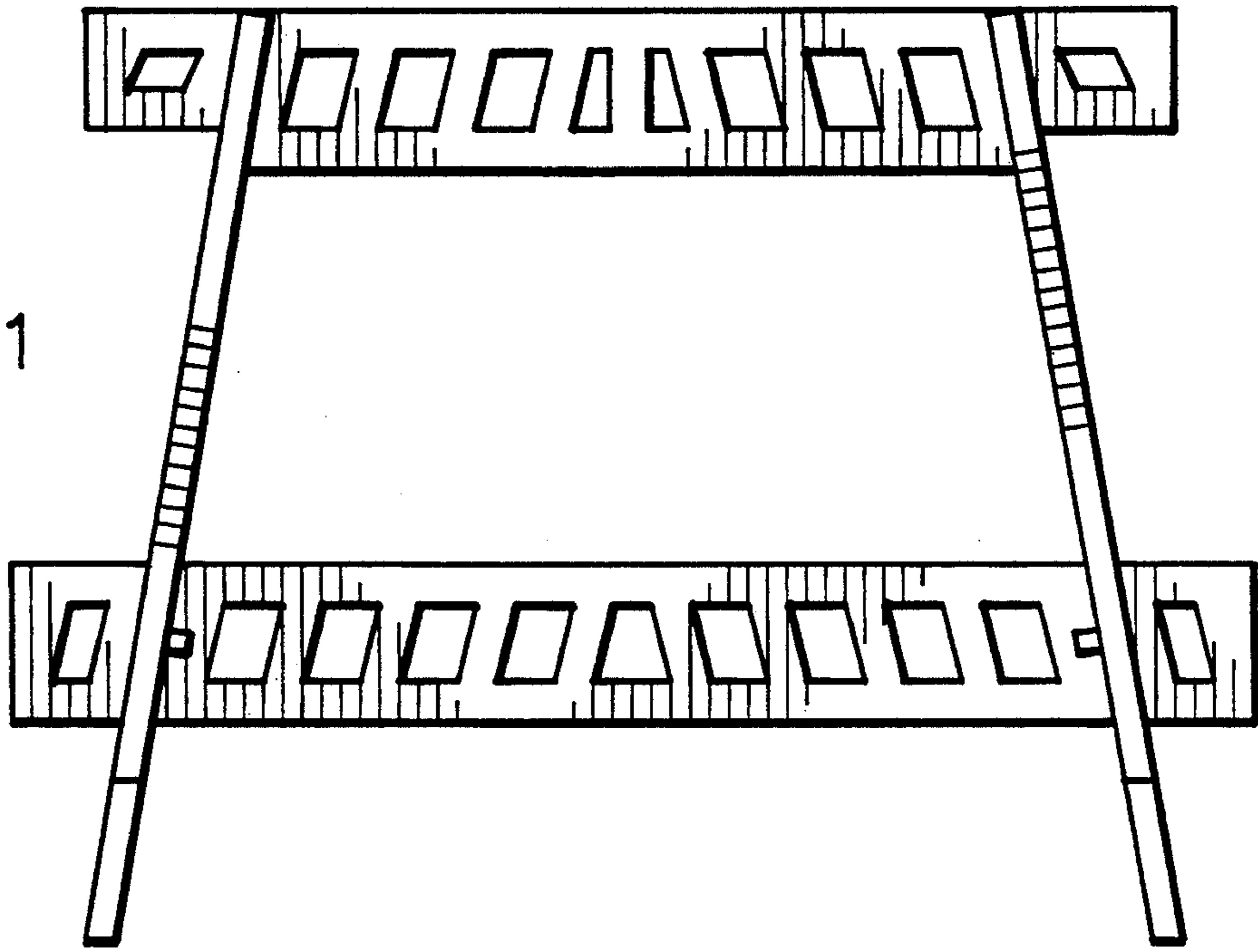


Fig. 2

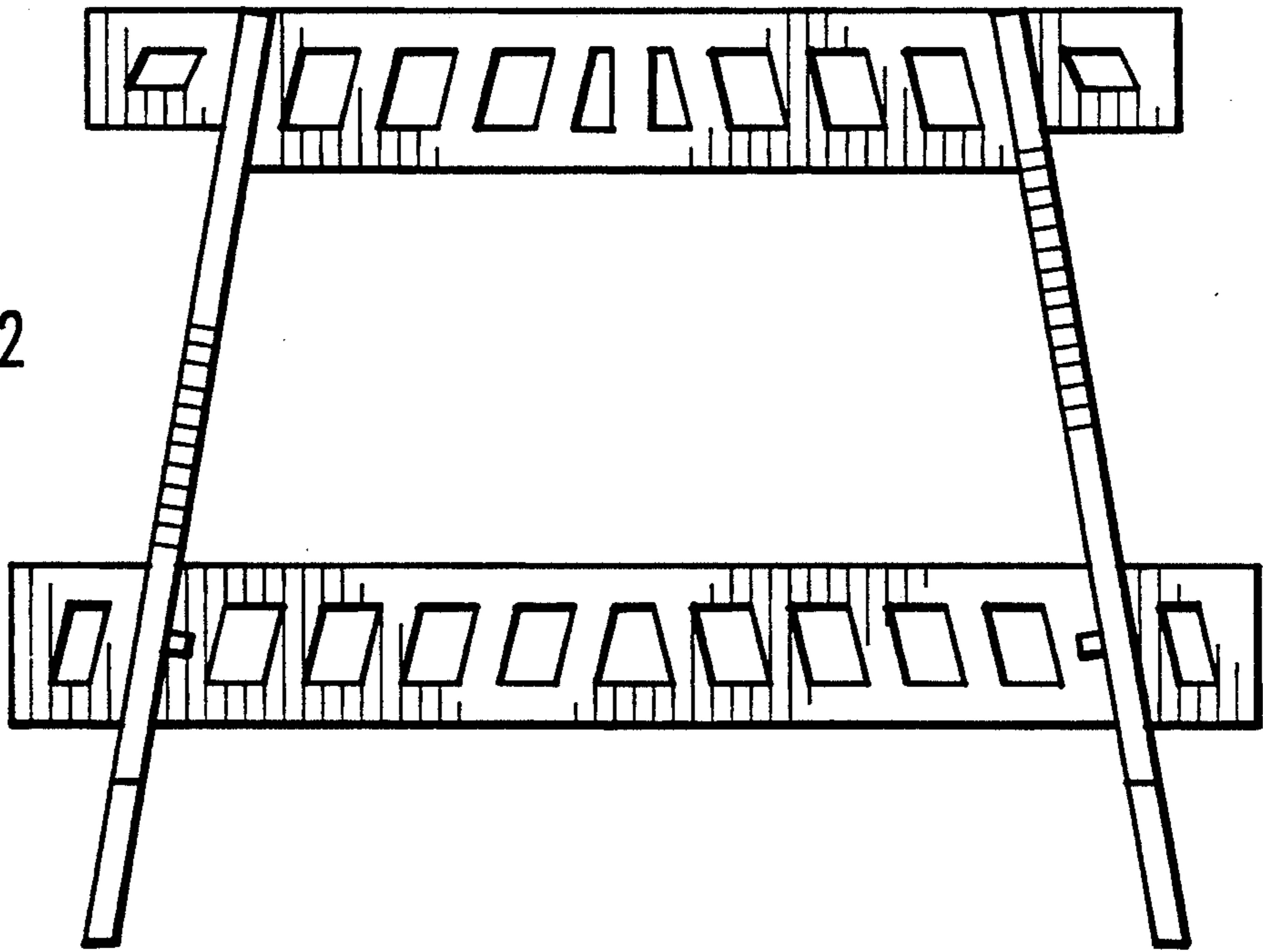


Fig. 3

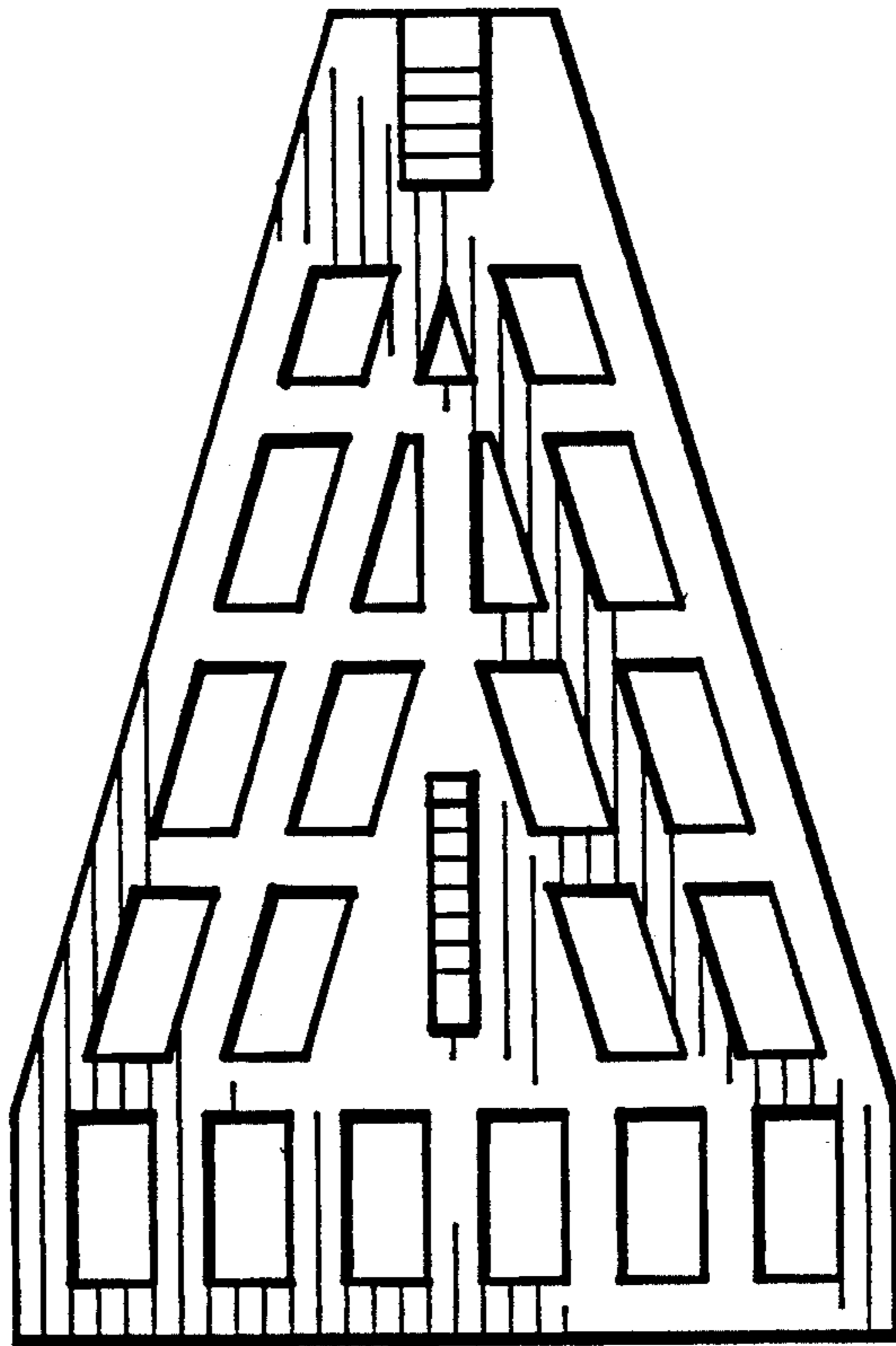
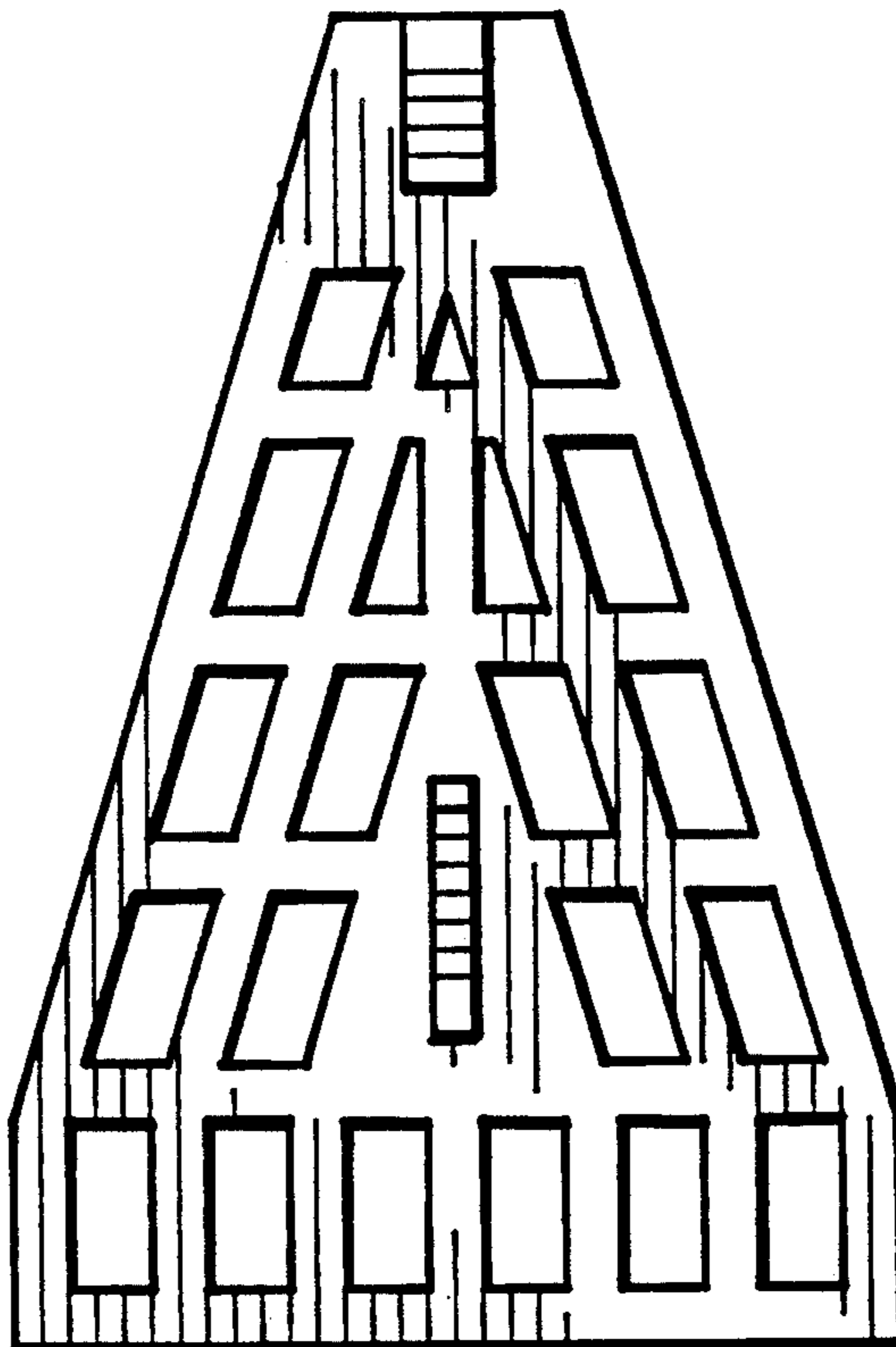


Fig. 4



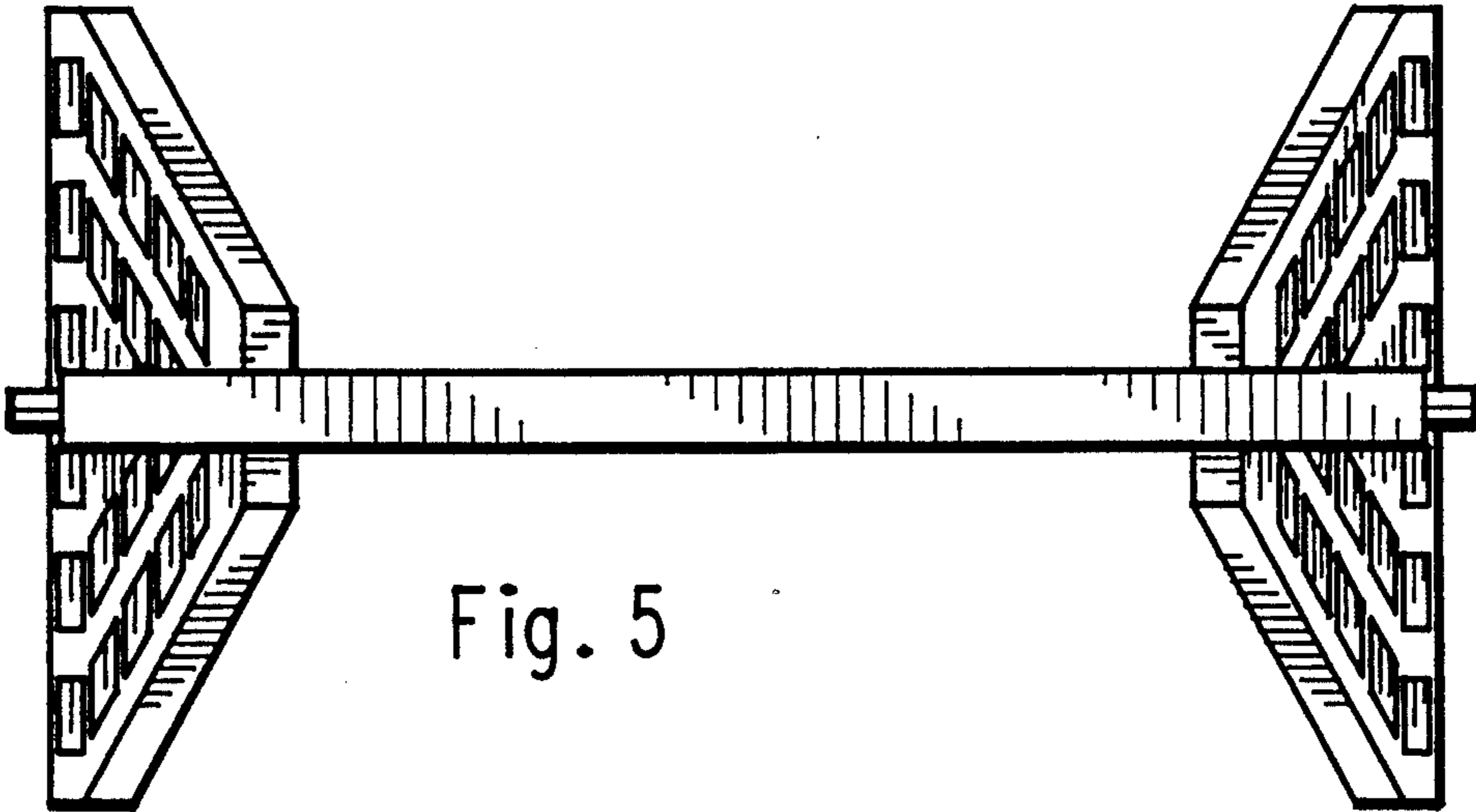


Fig. 5

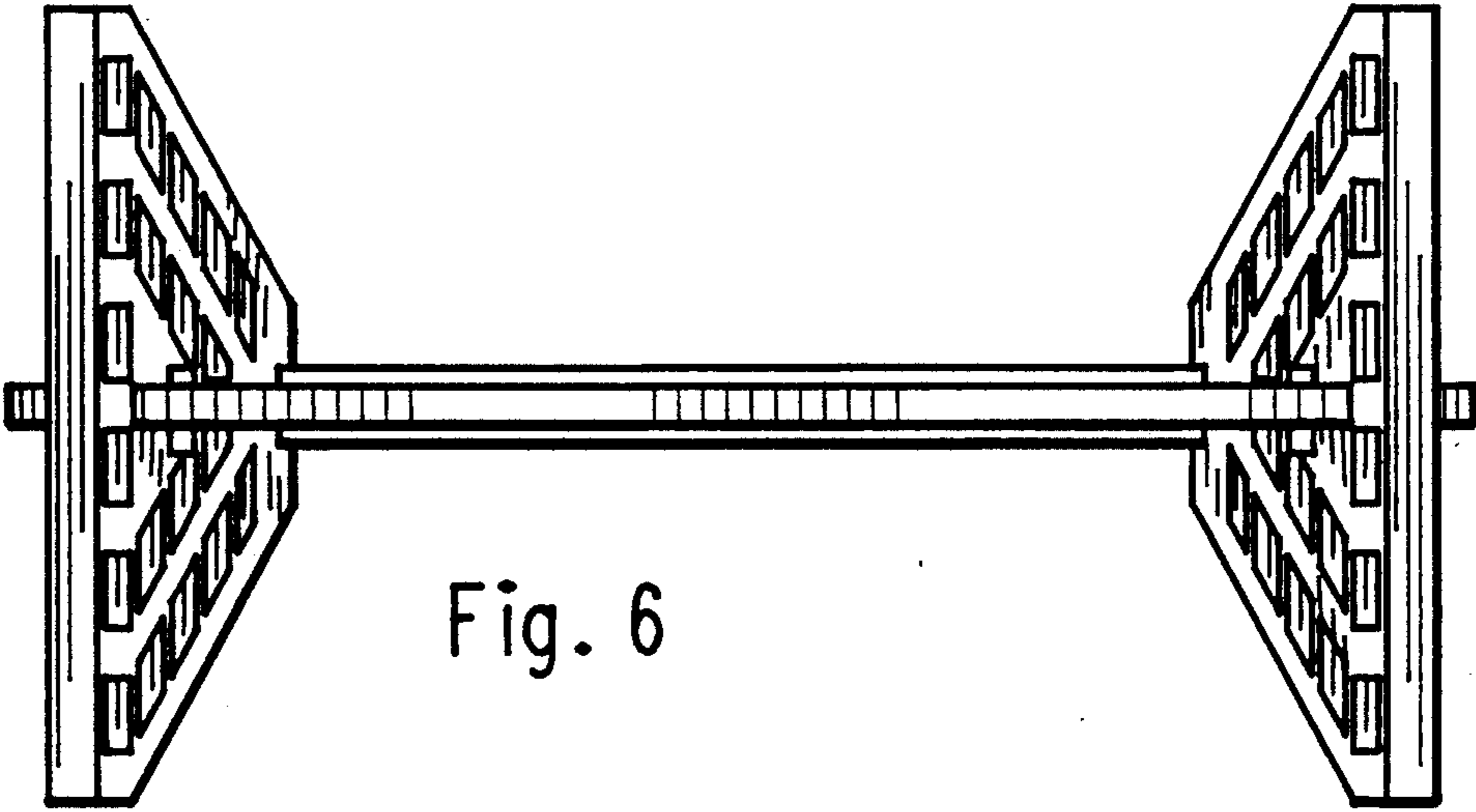


Fig. 6