

[54] COMBINED WATER CLOSET AND SEAT

[75] Inventor: Jean-Philippe Lenclos, Paris, France

[73] Assignee: Produits Ceramiques de Touraine, Selles-sur-Cher, France

[\*\*] Term: 14 Years

[21] Appl. No.: 41,741

[22] Filed: Apr. 21, 1987

[30] Foreign Application Priority Data

Oct. 21, 1986 [FR] France ..... 865.510

[52] U.S. Cl. .... D23/301

[58] Field of Search ..... D23/295-301, D23/309, 313, 420-448

[56] References Cited

U.S. PATENT DOCUMENTS

- D. 237,884 12/1975 Korol ..... D23/301
- D. 262,647 1/1982 Kaiser ..... D23/301
- D. 275,514 9/1984 Enthoren ..... D23/301
- D. 276,176 10/1984 Kaiser ..... D23/301
- D. 284,303 6/1986 Yvetot ..... D23/301
- D. 289,320 4/1987 Hardion .

D. 290,994 7/1987 Hardion .

OTHER PUBLICATIONS

Domestic Engineering, Mar. 1984, p. 62, Item "A".

Primary Examiner—James R. Largen

Attorney, Agent, or Firm—Wenderoth, Lind & Ponack

[57] CLAIM

The ornamental design for a combined water closet and seat, as shown.

DESCRIPTION

FIG. 1 is a front elevational view of a combined water closet and seat showing my new design;

FIG. 2 is a perspective view taken from the front and right side thereof;

FIG. 3 is a rear elevational view thereof;

FIG. 4 is a perspective view taken from the top, front and right side thereof, showing the seat in a raised position;

FIG. 5 is a right side elevational view thereof, the left side being a mirror image of the right side shown;

FIG. 6 is a top plan view thereof; and

FIG. 7 is a bottom plan view thereof.

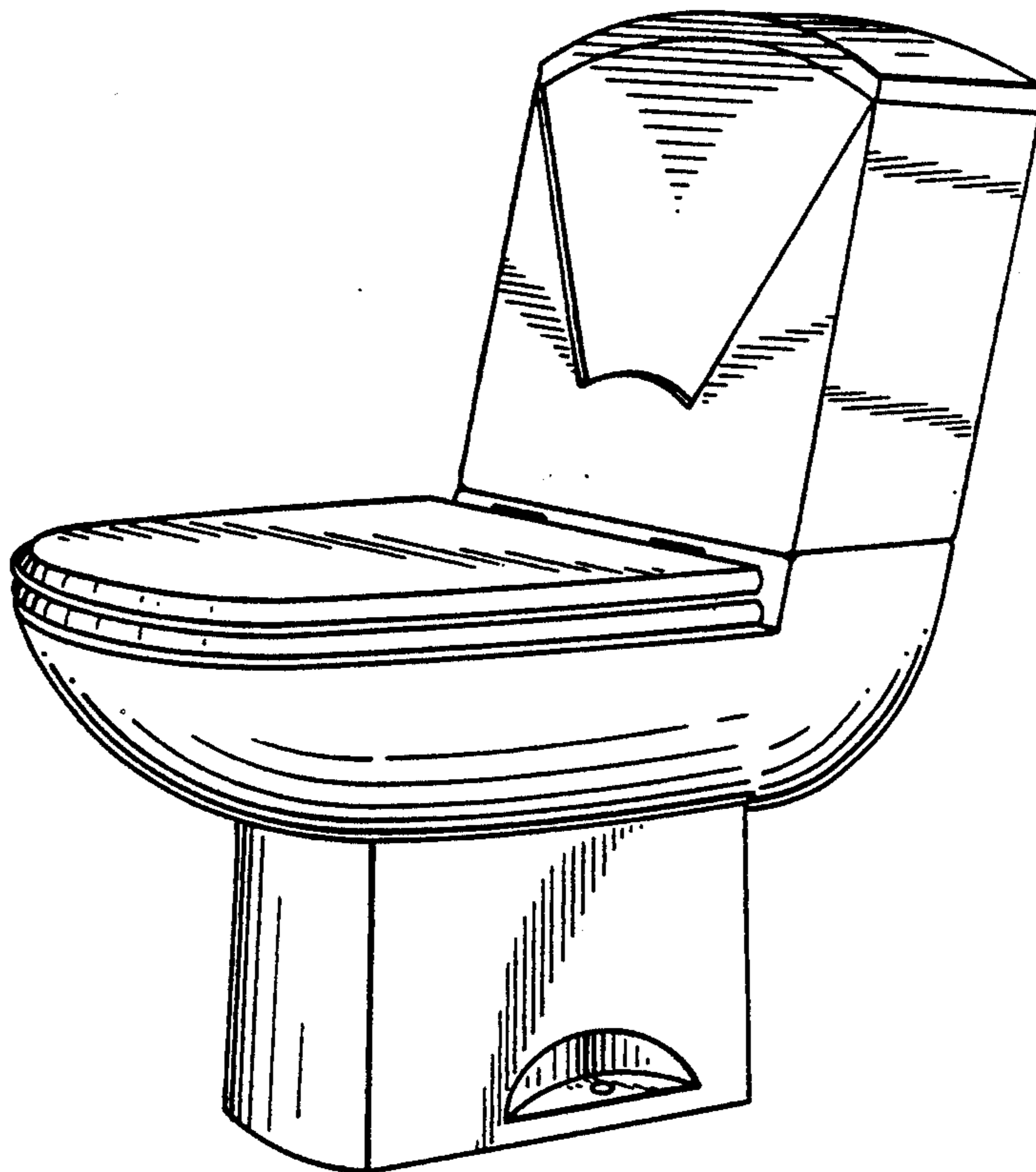


FIG. 1

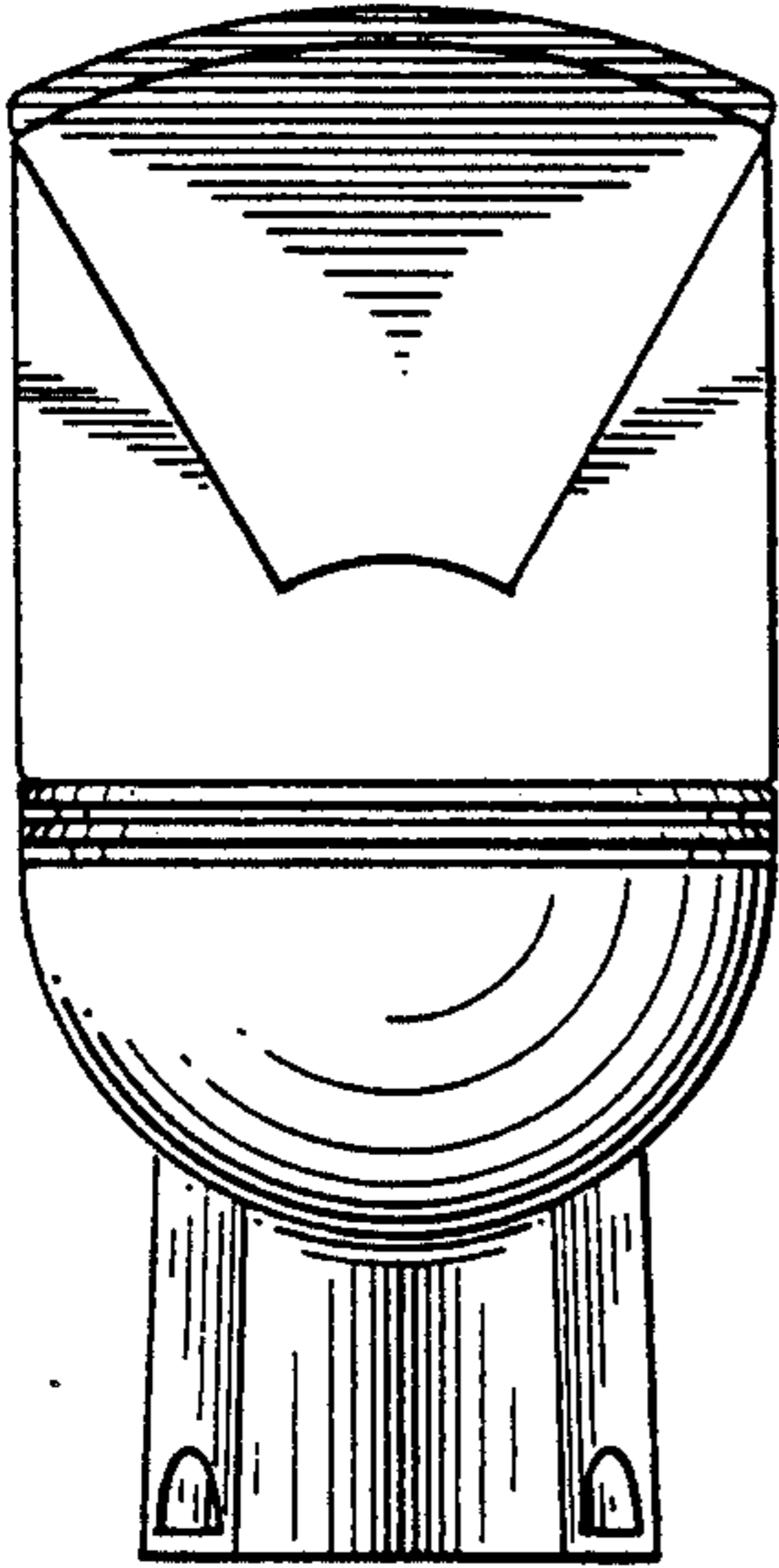


FIG. 2

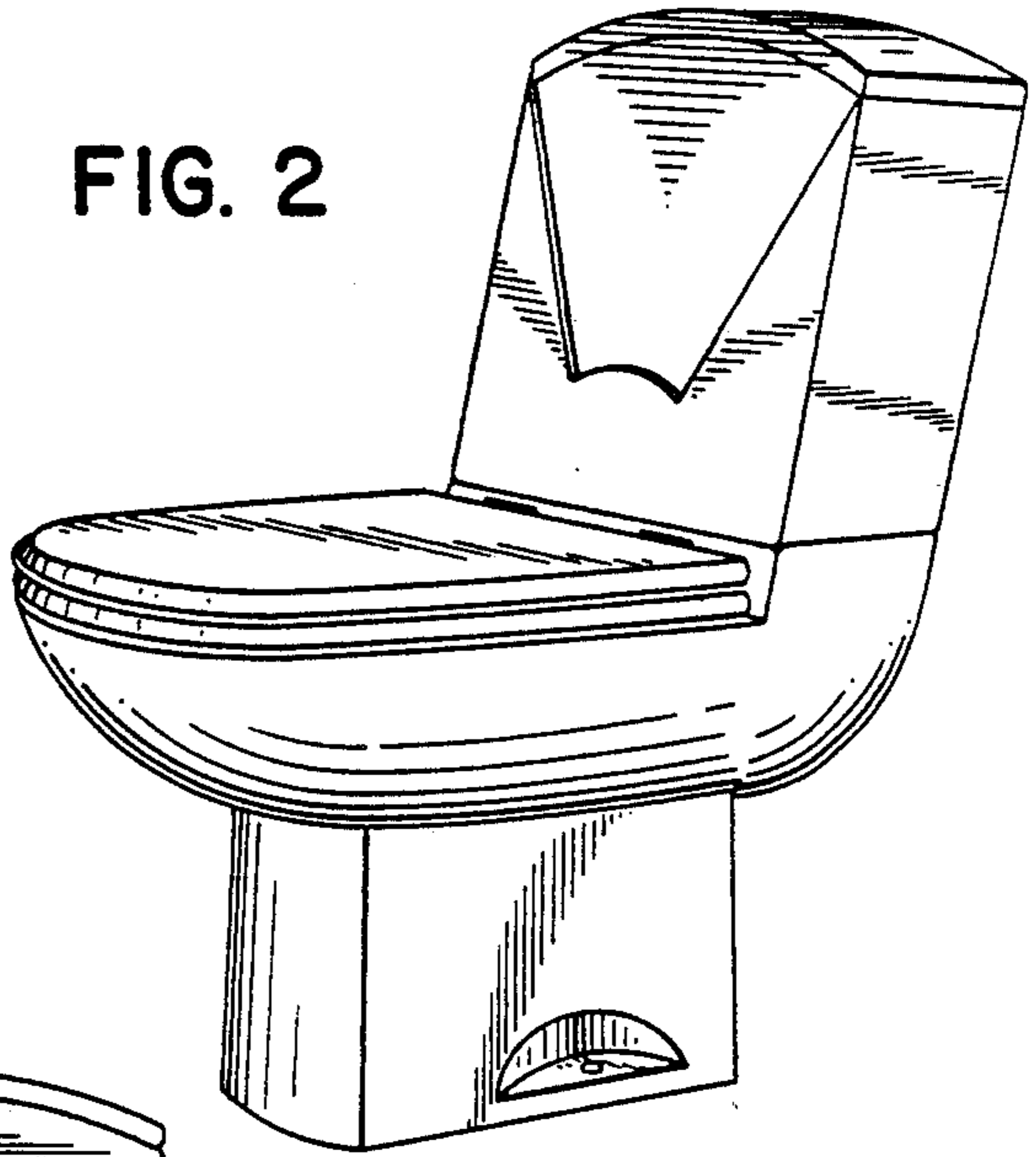


FIG. 3

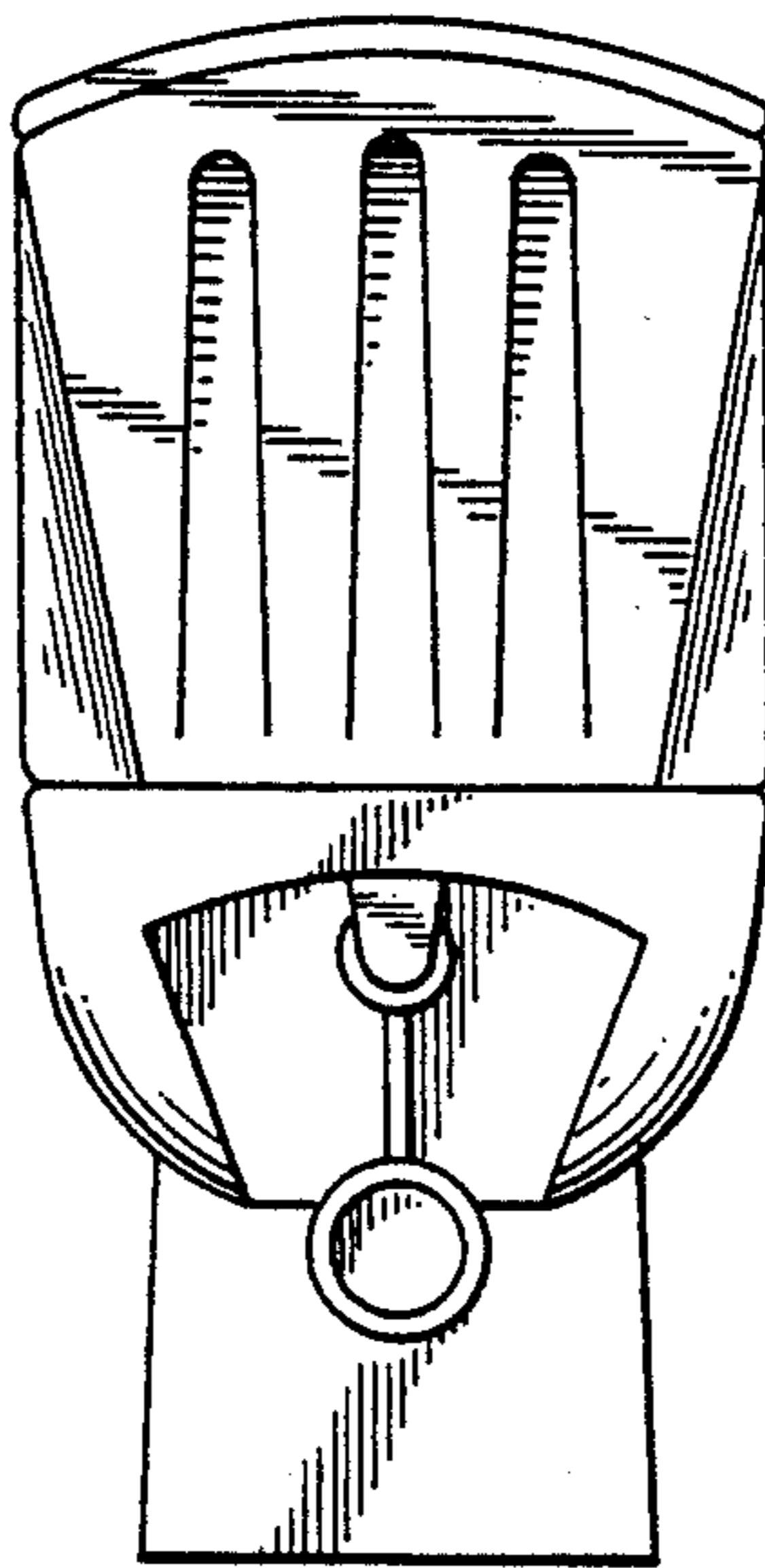


FIG. 4

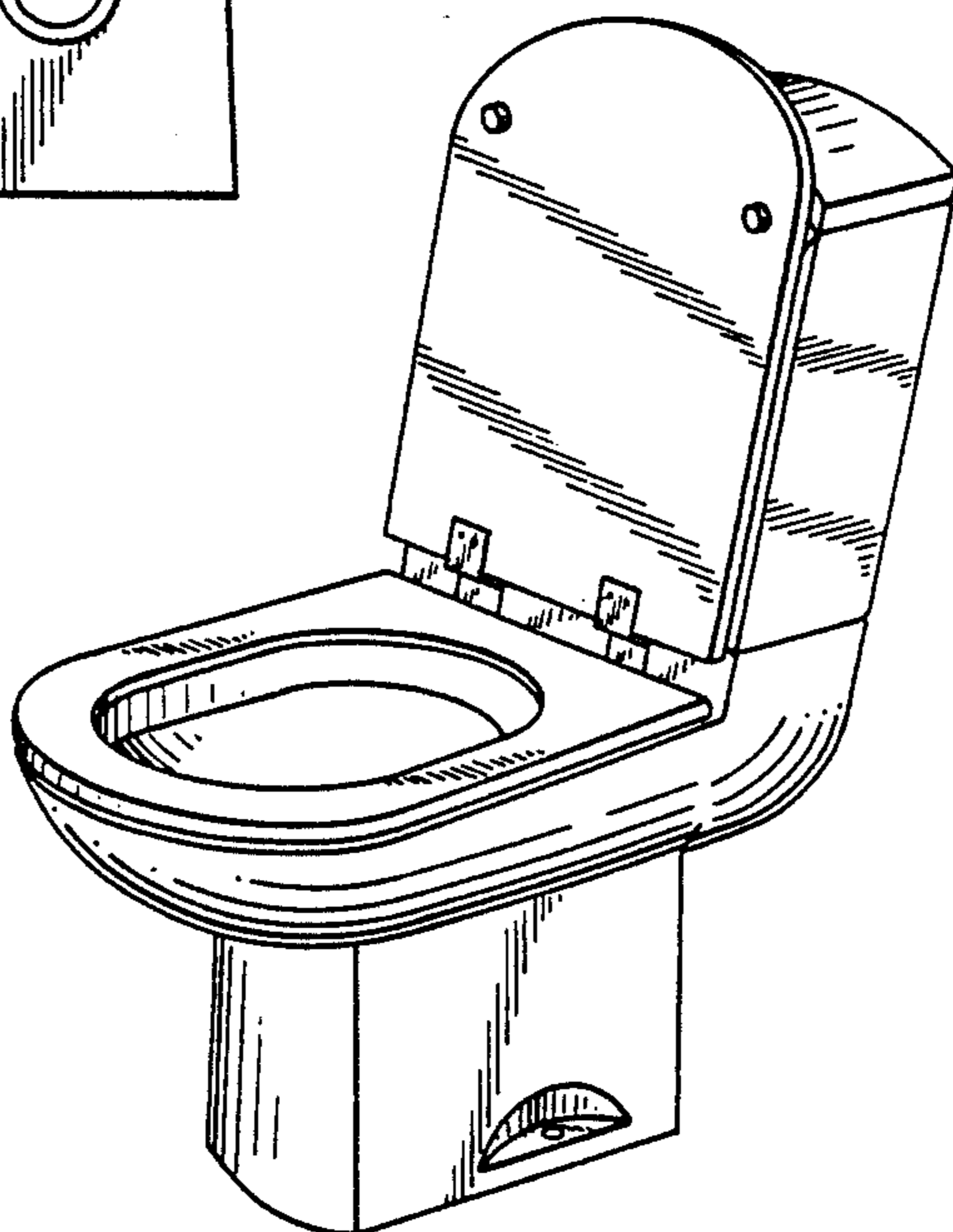


FIG. 5

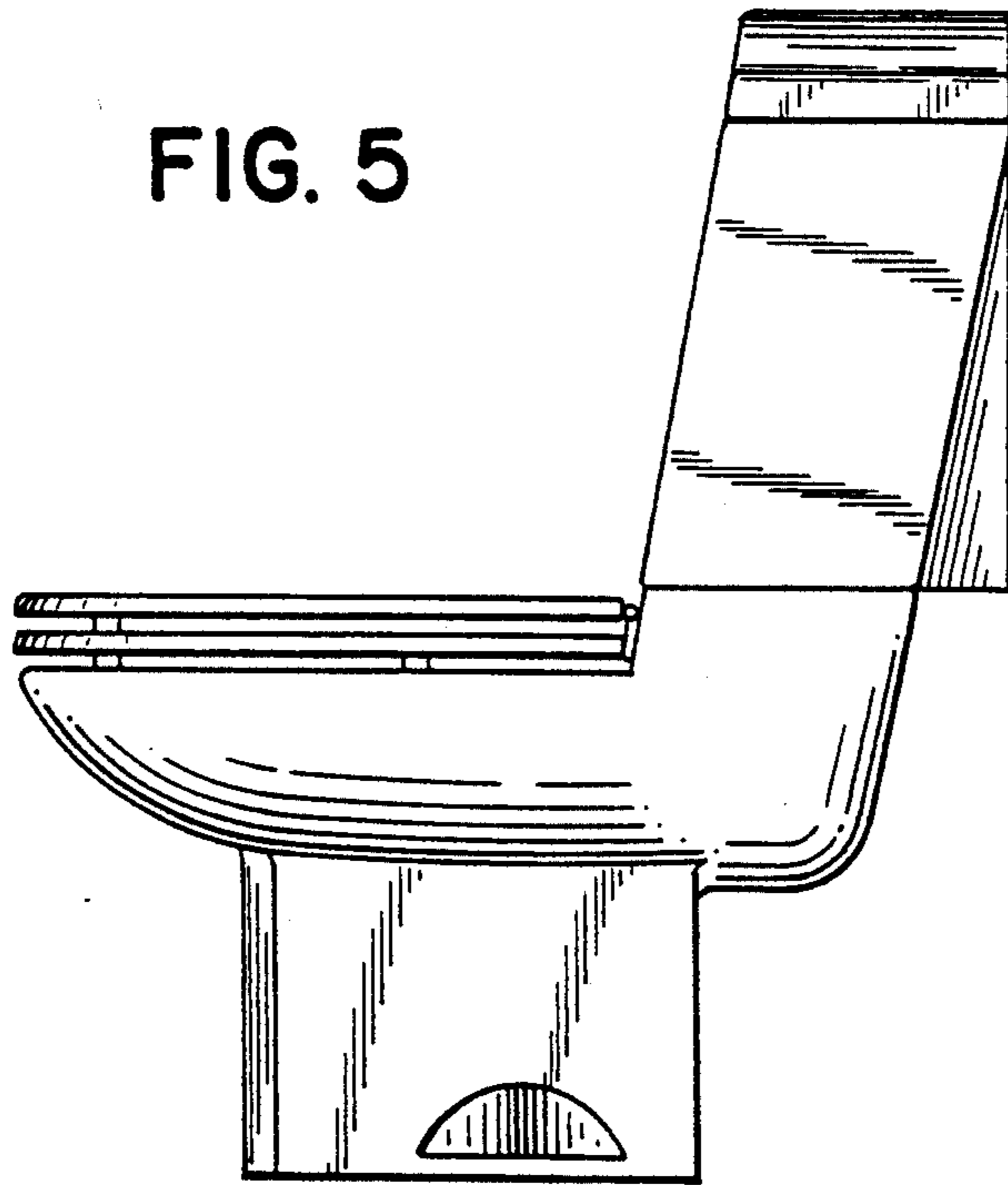


FIG. 6

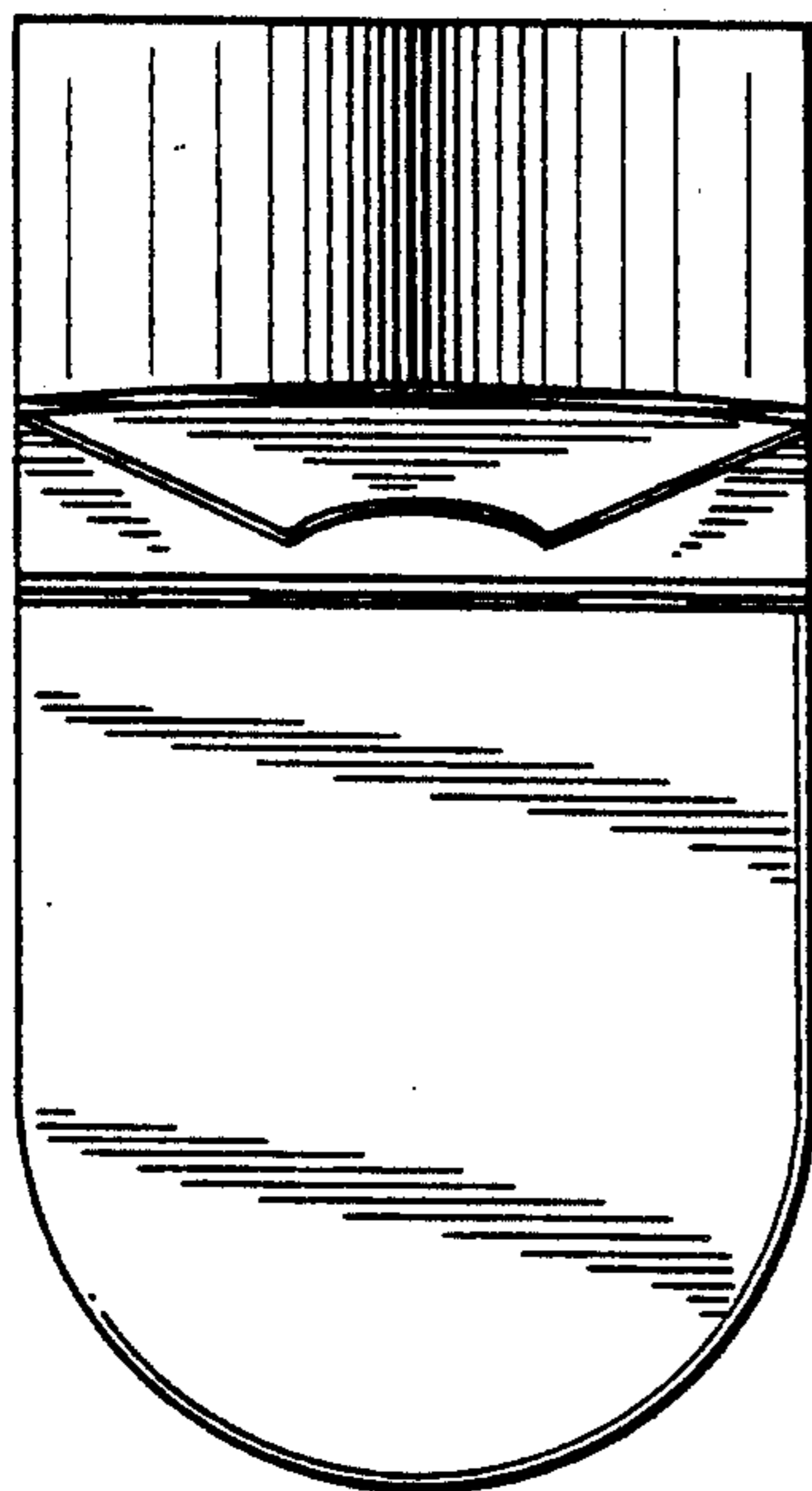


FIG. 7

