

[54] WALL MOUNTED SHOWER HEAD

[75] Inventors: Francois Geneve; Luc Heiligenstein; Stephen Melamed, all of Chicago, Ill.

[73] Assignee: Associated Mills, Inc., Chicago, Ill.

[\*\*] Term: 14 Years

[21] Appl. No.: 319,647

[22] Filed: Mar. 6, 1989

[52] U.S. Cl. .... D23/229

[58] Field of Search ..... D23/213, 222-230; 4/191-192, 447, 567-570, 599-603, 596, 615; 239/310, 276-281, 282-283, 288.5, 443-449, 456-460, 525, 530-532, 548, 550-552, 556-559, 562-565, 567, 581-583, 586-588

[56] References Cited

U.S. PATENT DOCUMENTS

D. 267,581 1/1983 Mackay et al. .... D23/229  
1,493,359 5/1924 Mallery ..... 239/559 X

2,049,141 7/1936 Schneider ..... 239/581.2 X  
4,588,130 5/1986 Trenary et al. .... 239/449 X

FOREIGN PATENT DOCUMENTS

100228 6/1898 Fed. Rep. of Germany ..... 239/562

Primary Examiner—Susan J. Lucas

Assistant Examiner—M. H. Tung

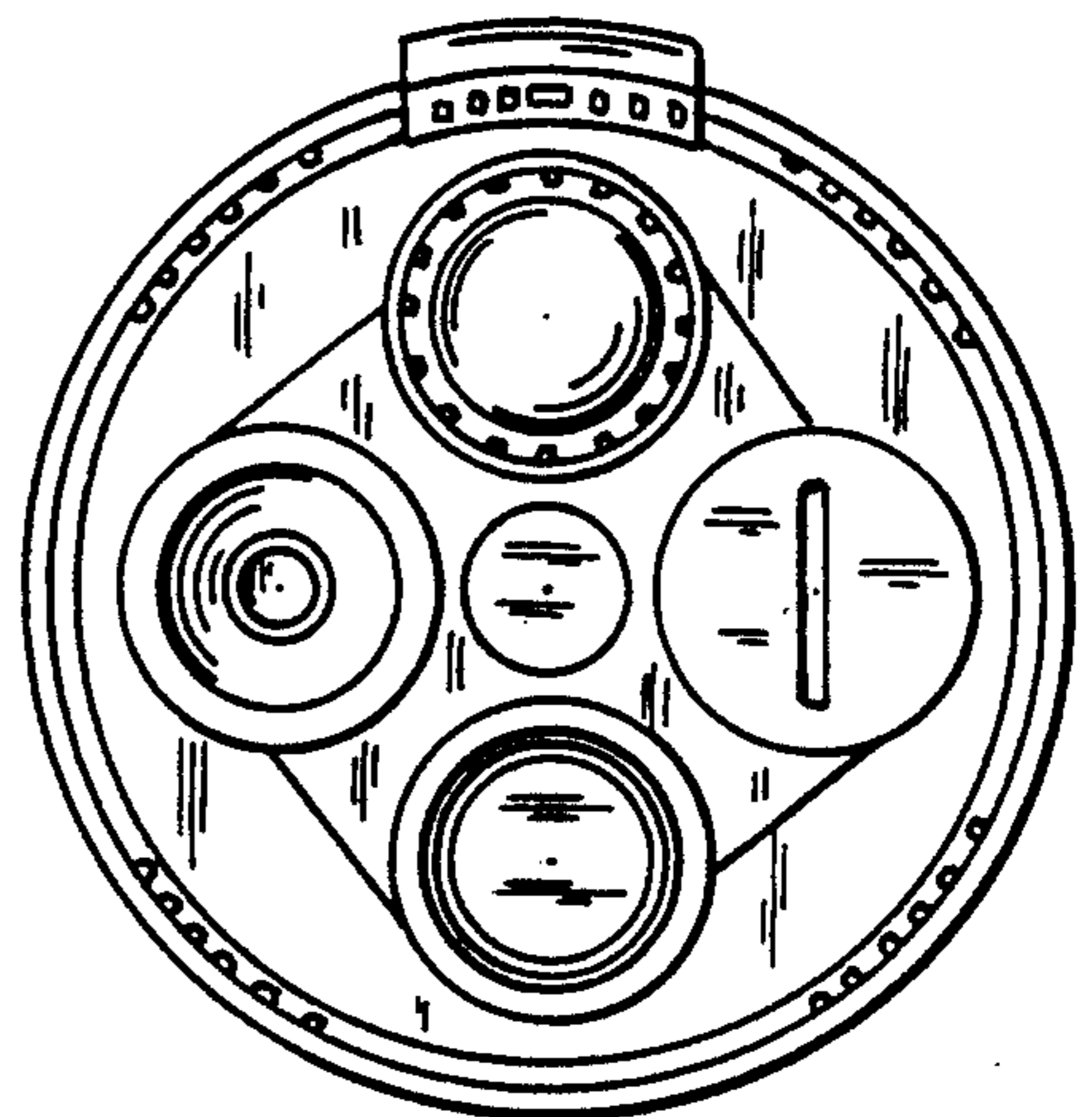
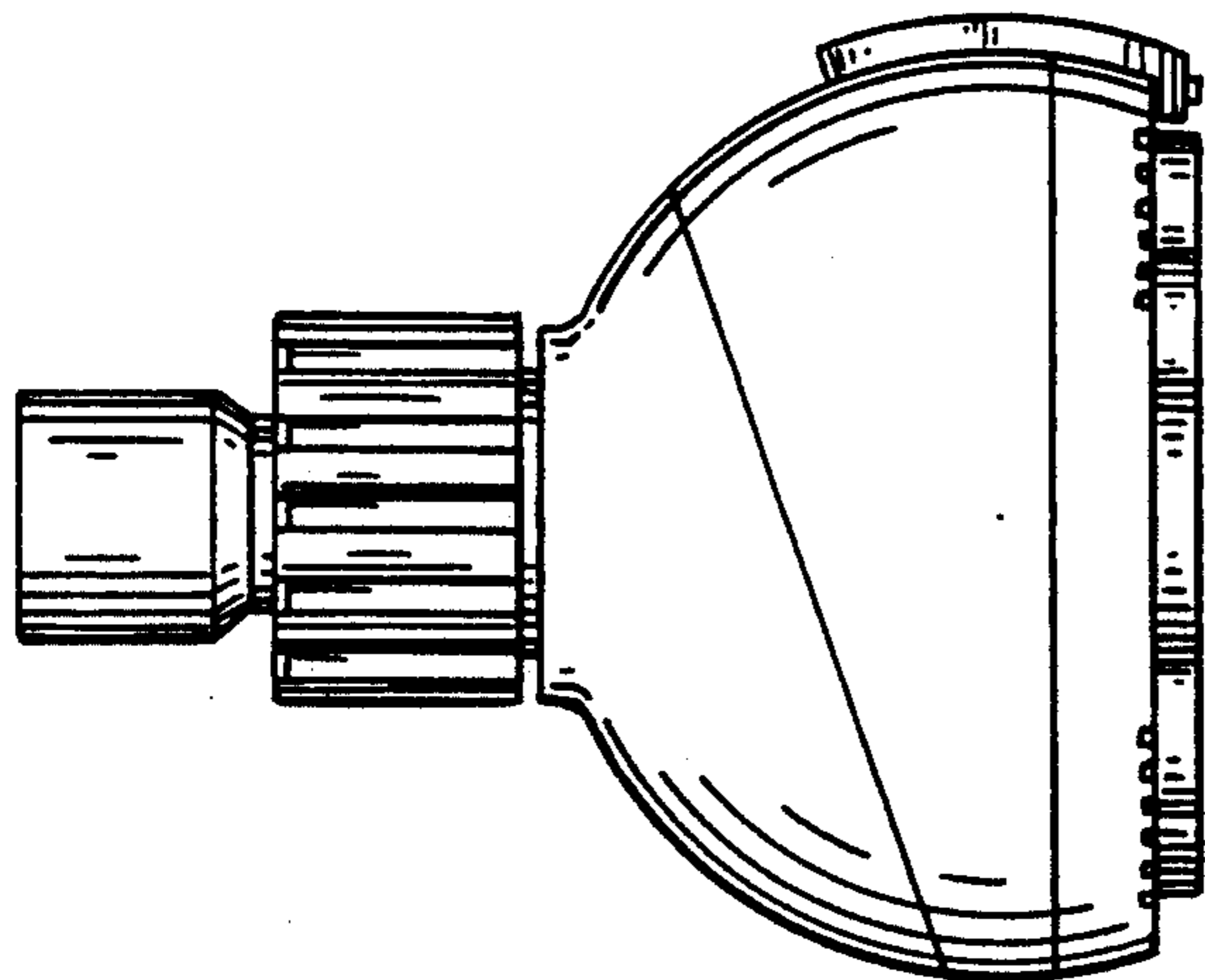
Attorney, Agent, or Firm—Laff Whitesel Conte & Saret

[57] CLAIM

The ornamental design for a wall mounted shower head, as shown.

DESCRIPTION

FIG. 1 is a bottom plan view of a wall mounted shower head showing our new design; FIG. 2 is a right side elevational view thereof; FIG. 3 is a left side elevational view thereof; FIG. 4 is a front elevational view thereof; and FIG. 5 is a rear elevational view thereof; FIG. 6 is a top plan view thereof.



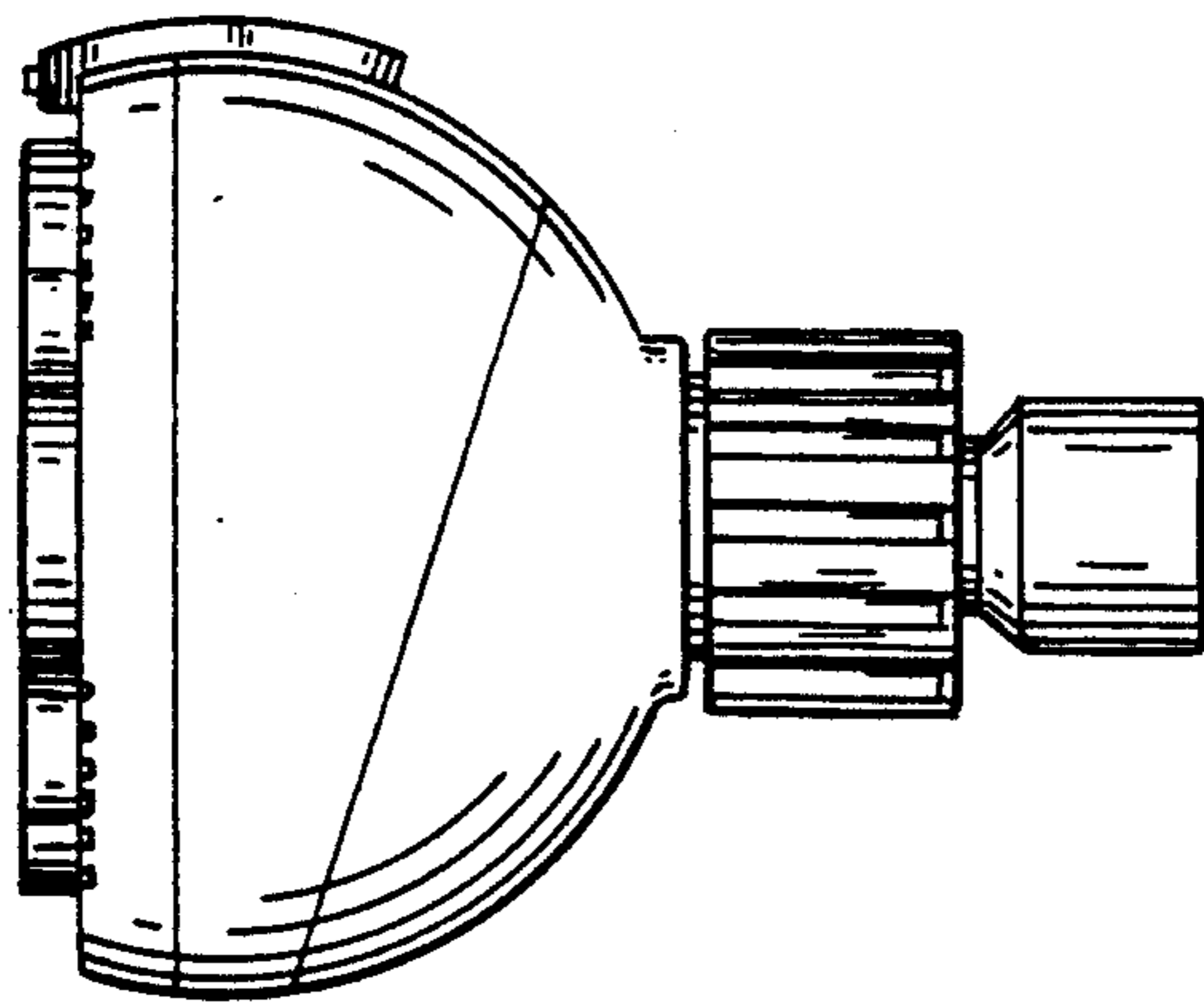


FIG. 3

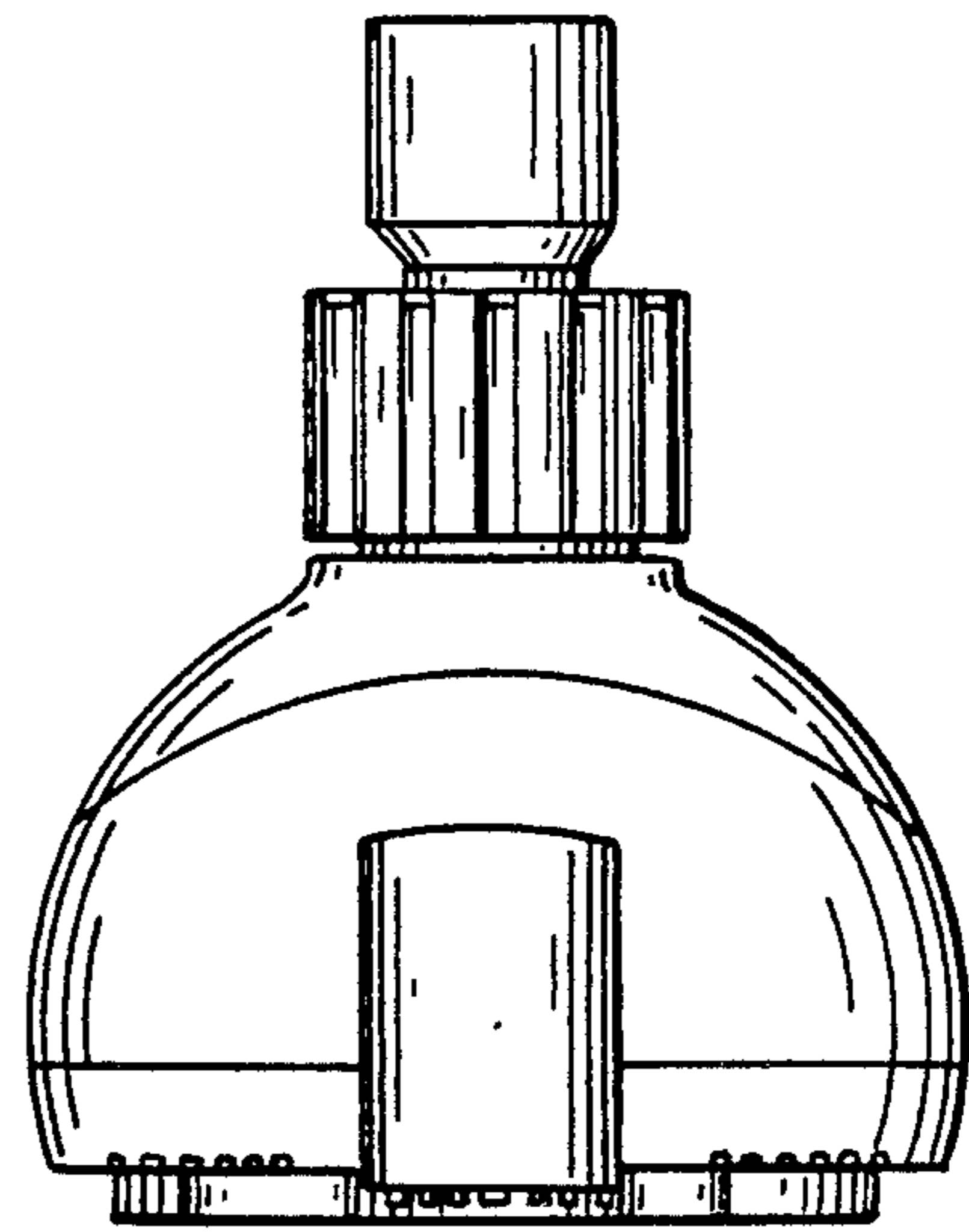


FIG. 4

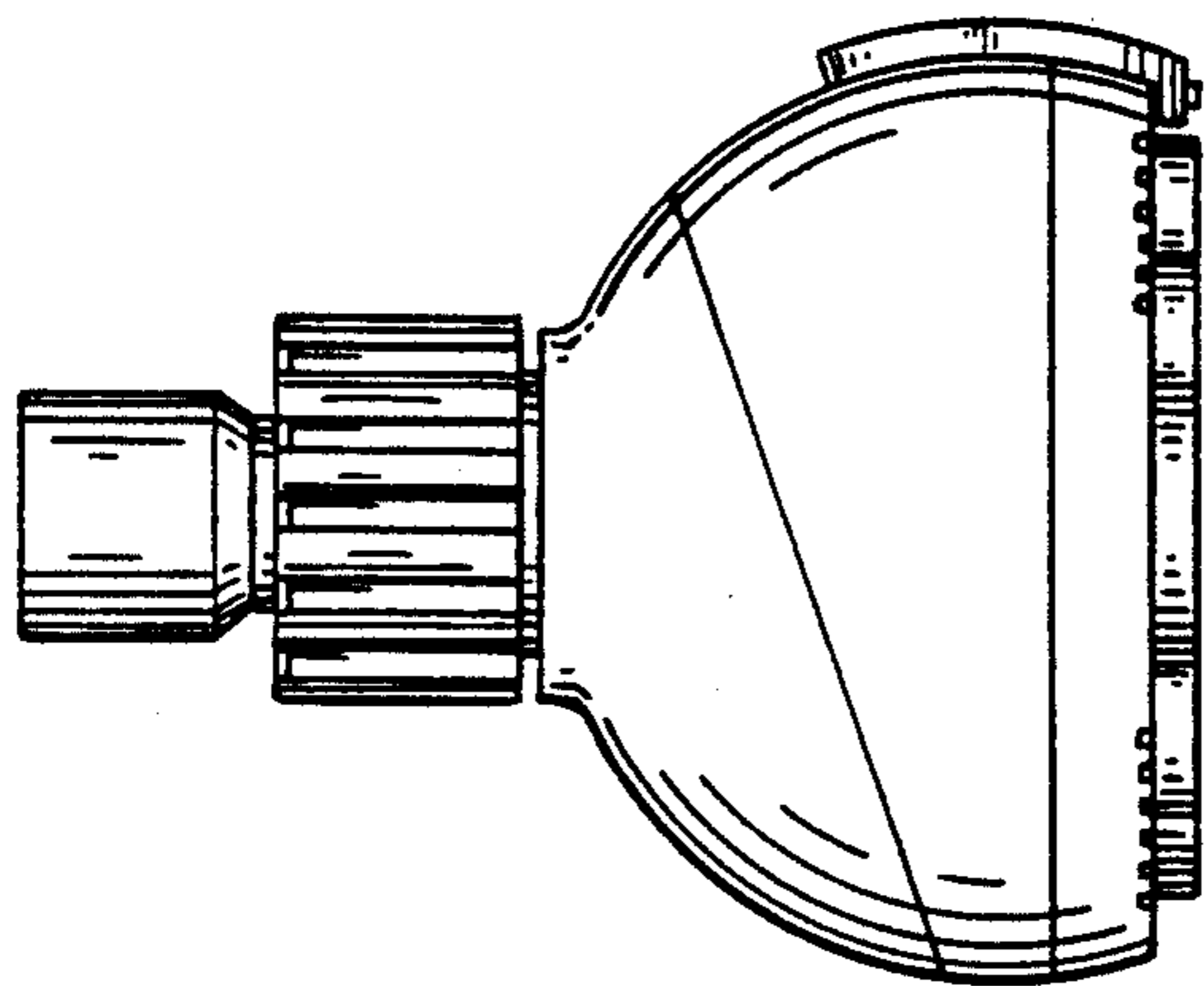


FIG. 2

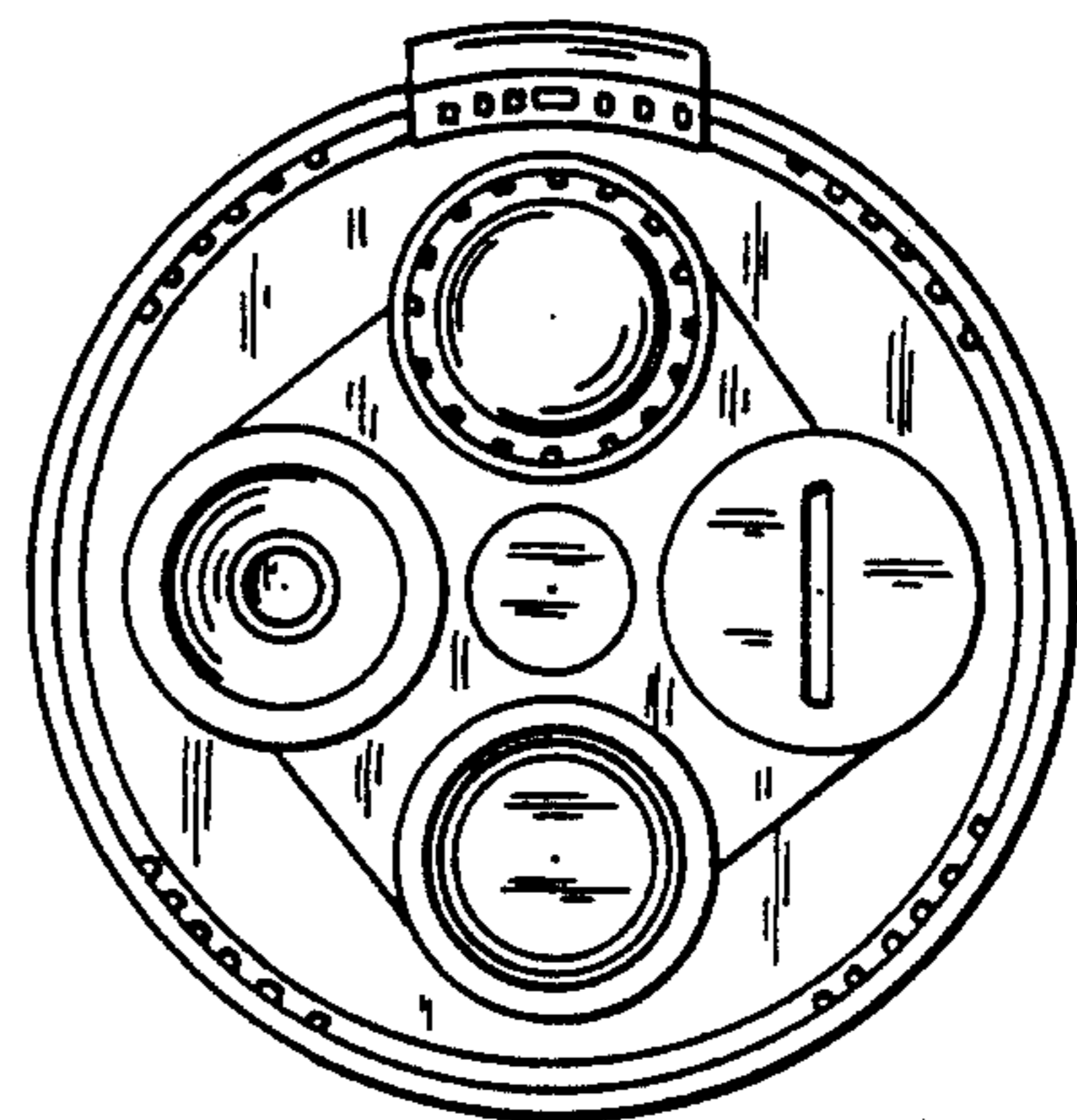


FIG. 1

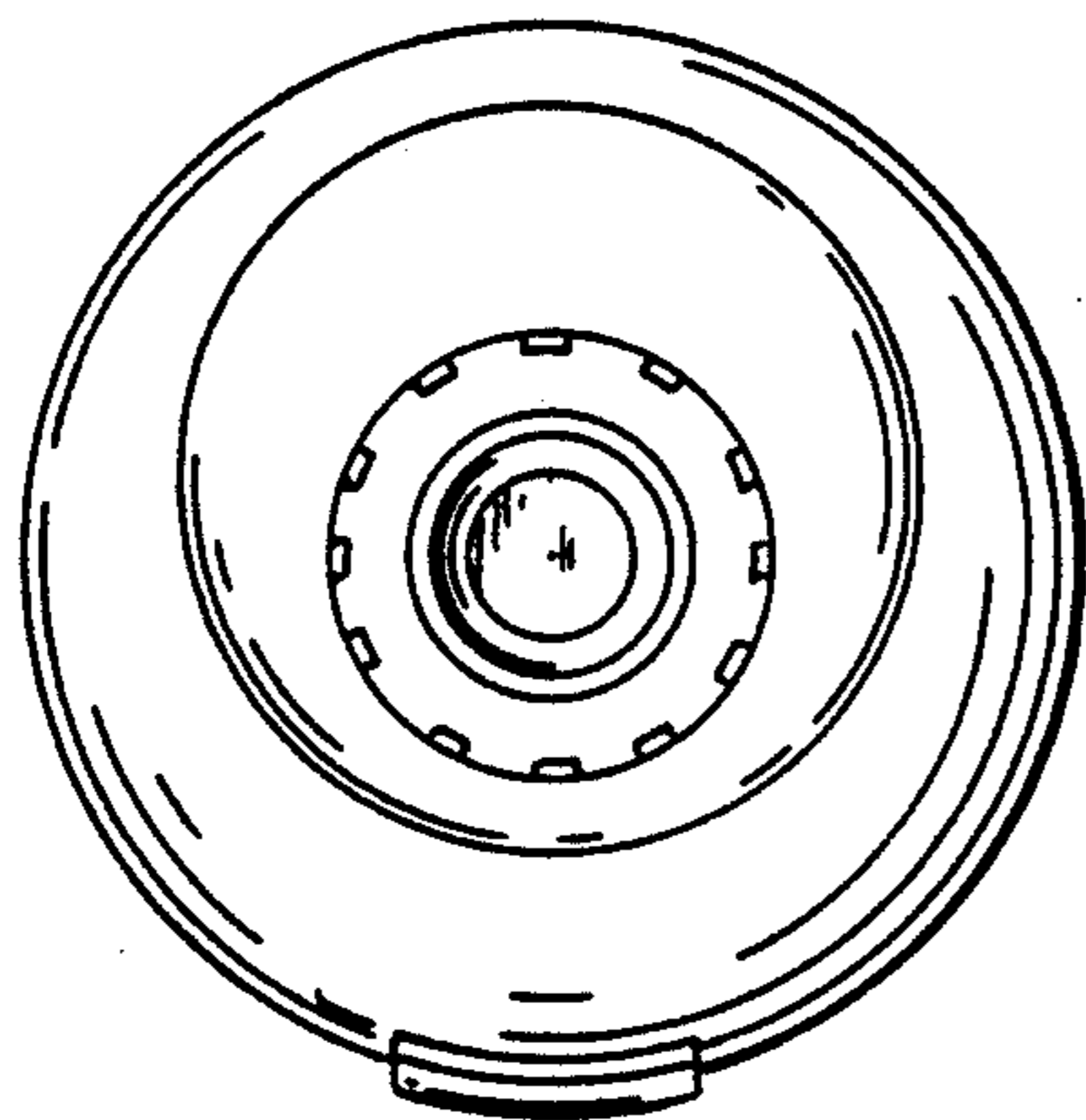


FIG. 6

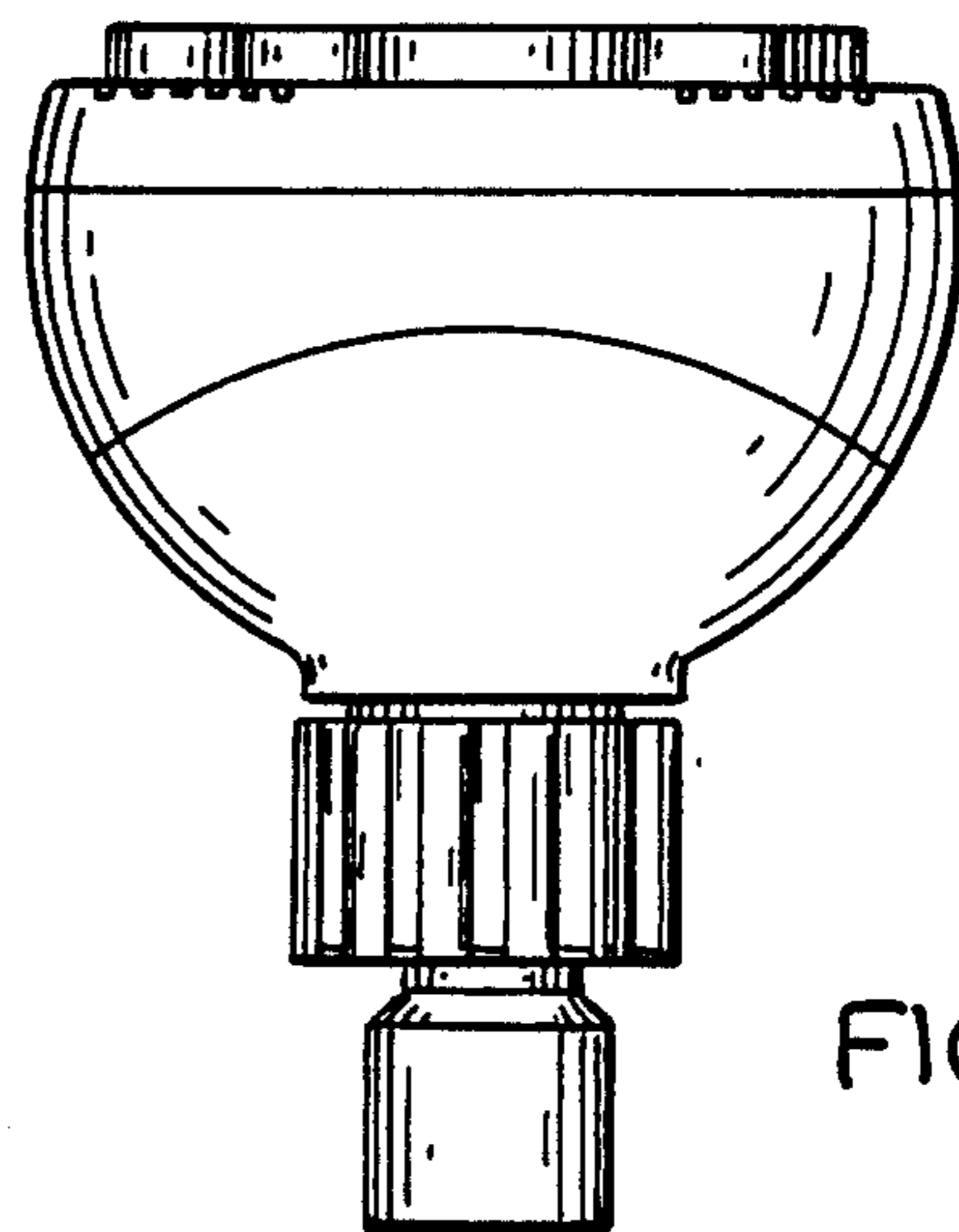


FIG. 5