

[54] SPRAYER

[75] Inventor: Franco Clivio, Zurich, Switzerland

[73] Assignee: Gardena Kress & Kastner GmbH, Fed. Rep. of Germany

[\*\*] Term: 14 Years

[21] Appl. No.: 155,000

[22] Filed: Feb. 10, 1988

[52] U.S. Cl. .... D23/226

[58] Field of Search ..... D23/213, 223-227; D8/14.1, 68; 239/301, 332, 373, 394, 414-415, 525-528, 532, 554, 556, 690-690.1, 691, 700-703

[56] References Cited

U.S. PATENT DOCUMENTS

D. 252,097	6/1979	Probst et al. ....	D23/226
D. 291,725	9/1987	Huckenbeck et al. ....	D23/213
3,893,621	7/1975	Johnson .....	239/415 X
4,427,153	1/1984	Schaefer .....	239/415 X
4,470,549	9/1984	McMillan et al. ....	239/526 X
4,666,085	5/1987	Liau .....	239/394

FOREIGN PATENT DOCUMENTS

0142260 5/1985 European Pat. Off. .

OTHER PUBLICATIONS

Rain Bird Gartenberegnung Brochure, Rain Bird Europe S.A.R.L.

Simple Guide to Selecting the Right Neta Click-on Fittings for your Needs, brochure.  
Nelson 1988 Lawn and Garden Catalog.  
Uniflex '87 Catalog.  
Marina Garden Line Catalog.  
Gilmour 1985 Lawn & Garden Catalog.  
Sherman Lawn Watering, Industrial & Plumbing Products 1983 Catalog.  
Hozelock-Asl Garden Products Catalog.  
Claber Gardenline Catalog.  
Ipiere Sirotex Garden Catalog.  
Melnor Time-a-matic Programmierbare Automatische Gartenregner.

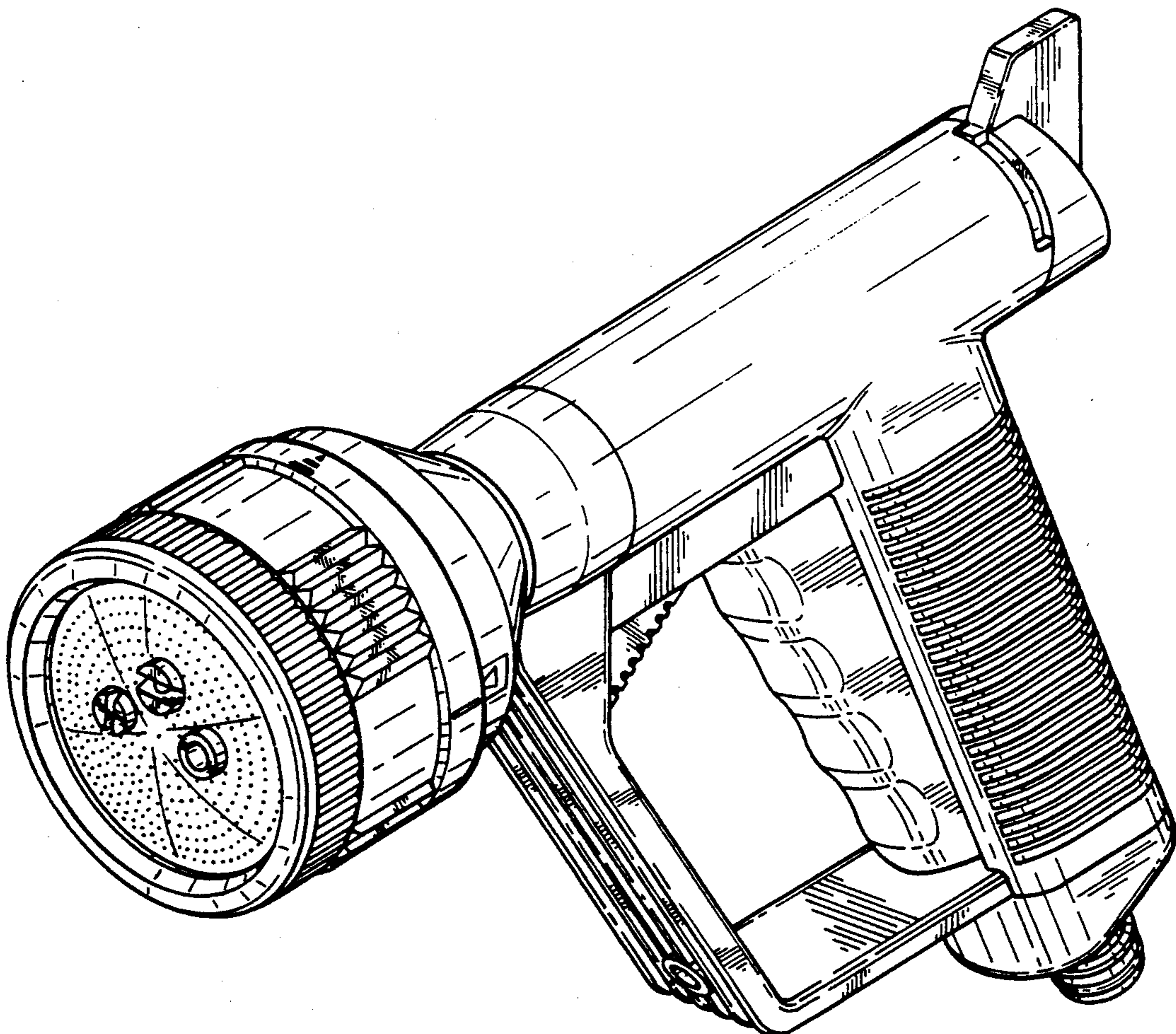
Primary Examiner—Susan J. Lucas  
Assistant Examiner—M. H. Tung  
Attorney, Agent, or Firm—Eckert Seamans Cherin & Mellott

[57] CLAIM

The ornamental design for a sprayer, as shown and described.

DESCRIPTION

FIG. 1 is a top perspective view of a sprayer showing my new design;  
FIG. 2 is a top plan view thereof;  
FIG. 3 is a bottom plan view thereof;  
FIG. 4 is a side elevational view thereof;  
FIG. 5 is the opposite side elevational view thereof;  
FIG. 6 is a front elevational view thereof;  
FIG. 7 is a rear elevational view thereof.





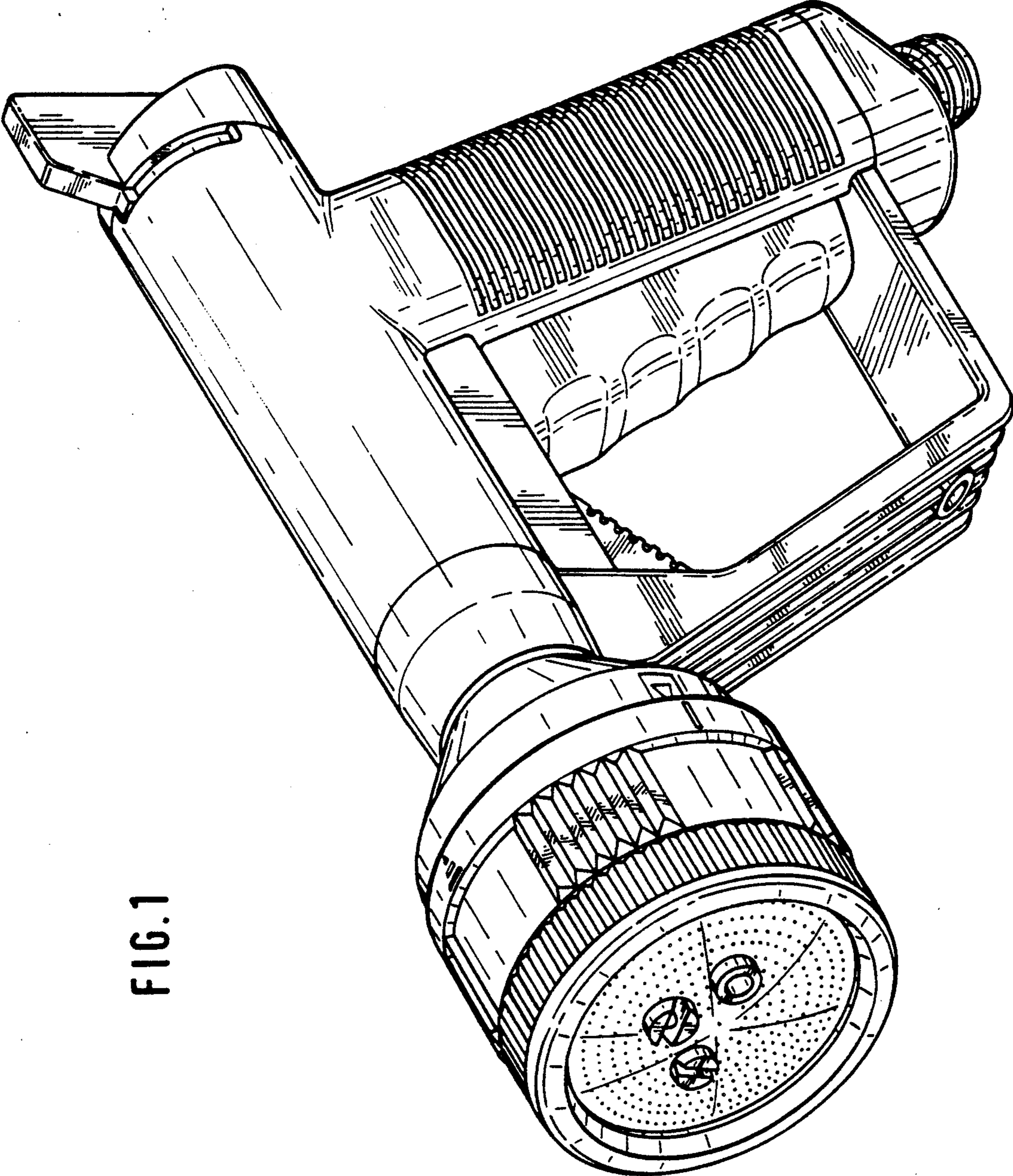


FIG. 1

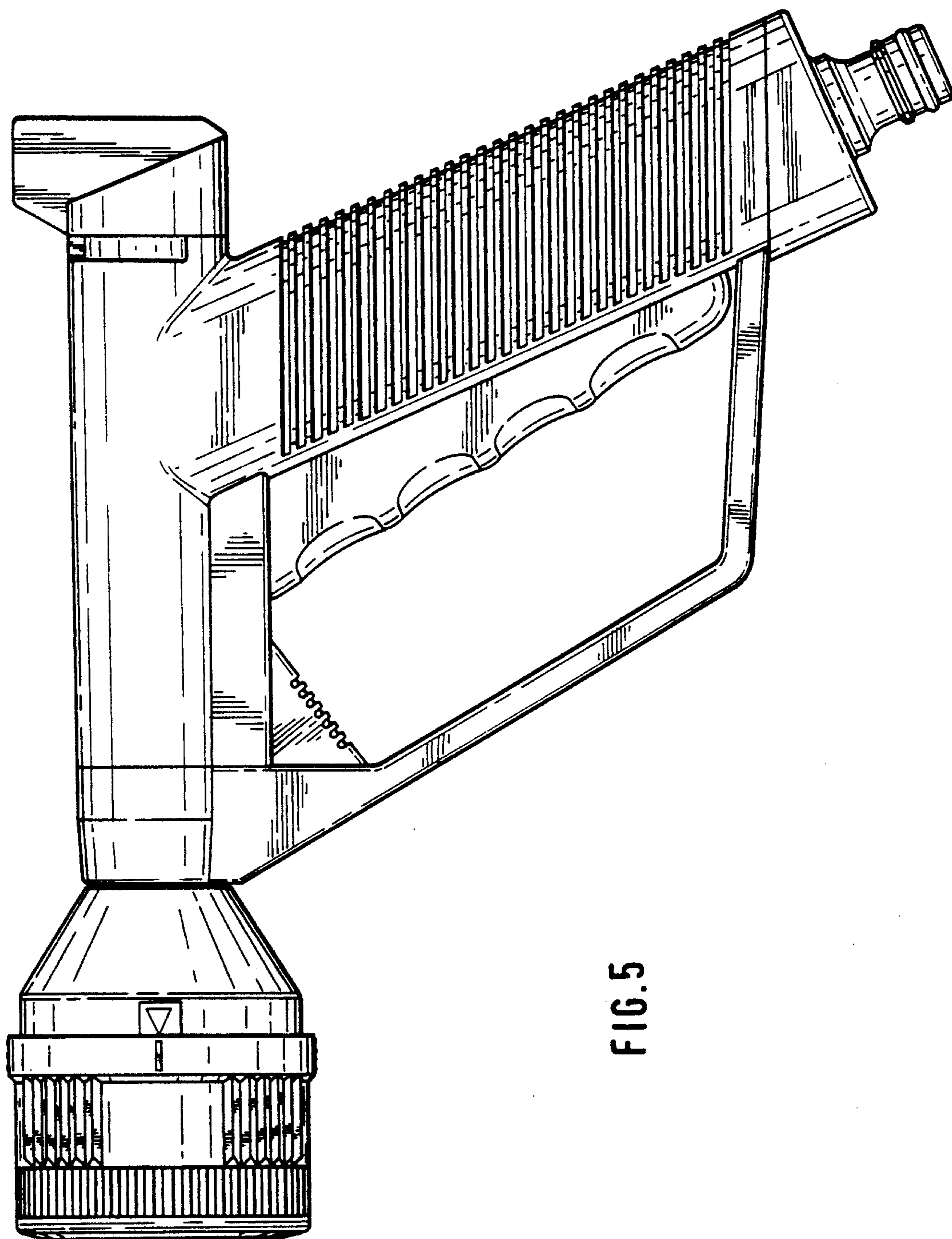


FIG. 5

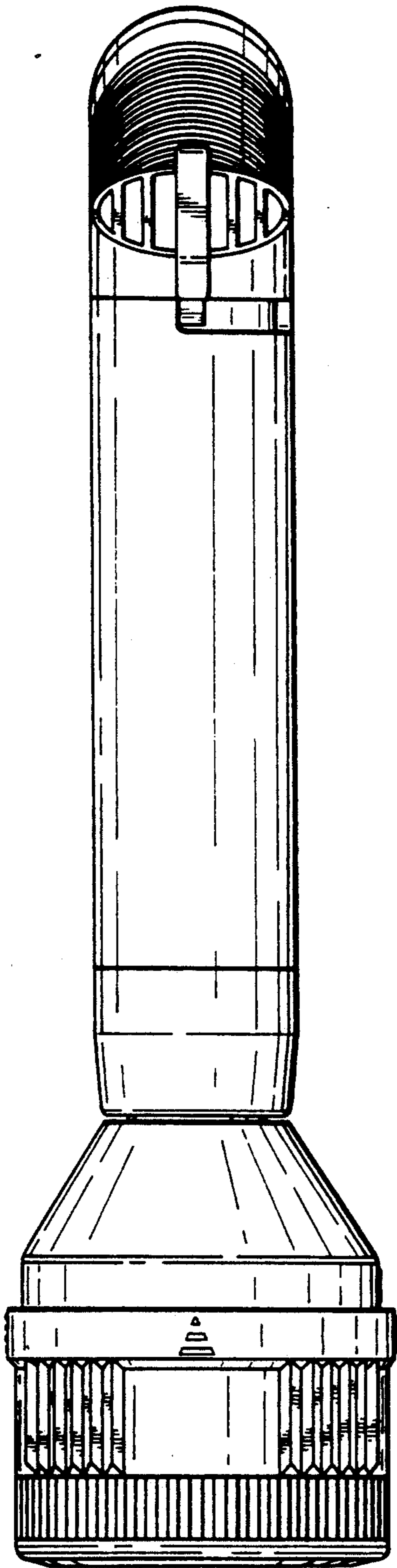


FIG. 2

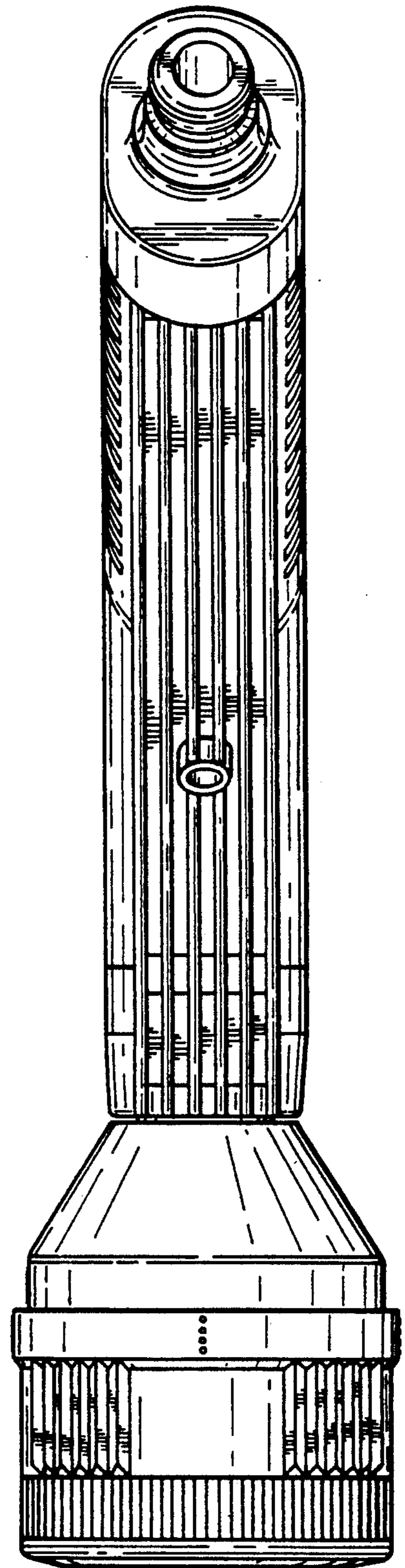


FIG. 3



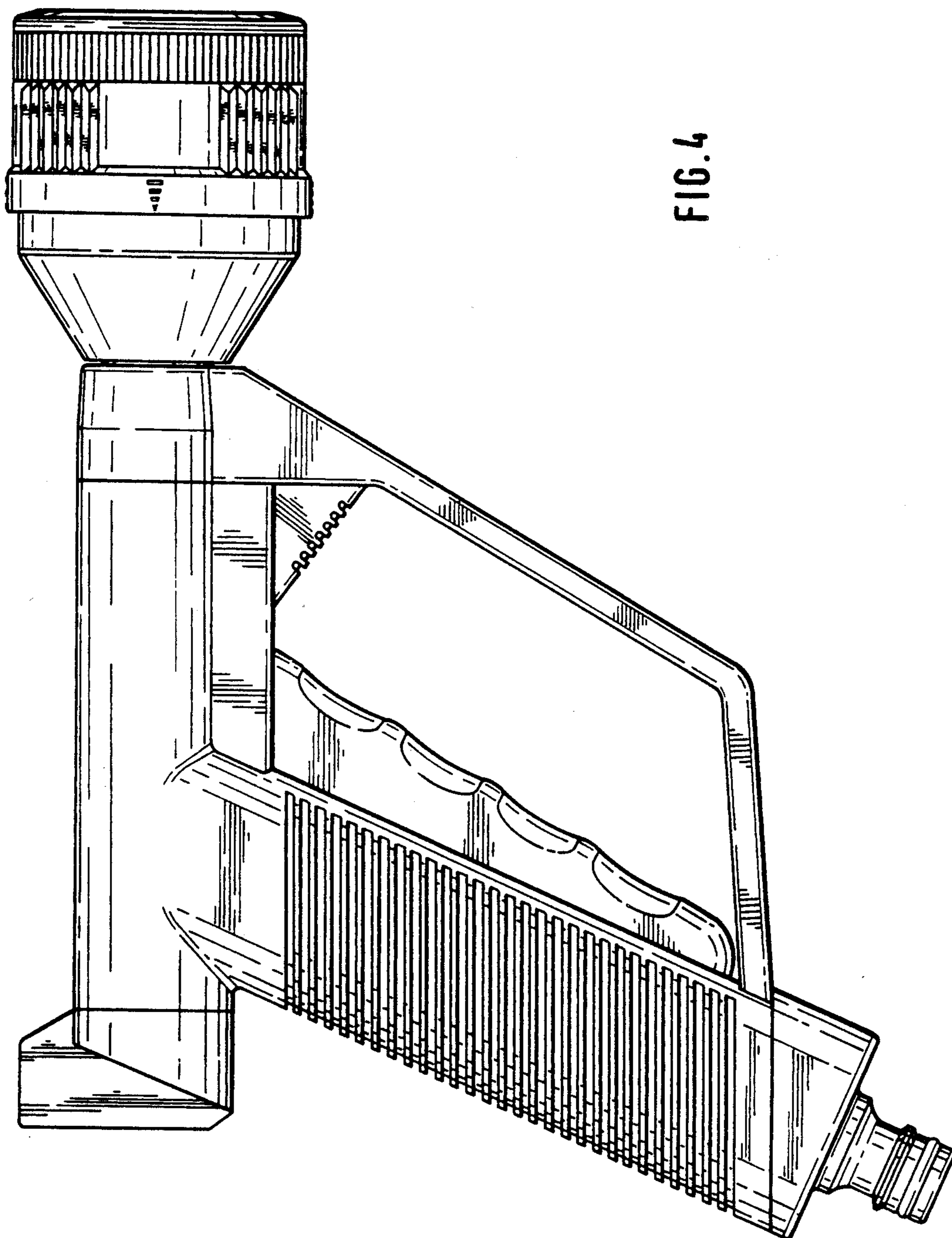


FIG. 4

FIG. 6

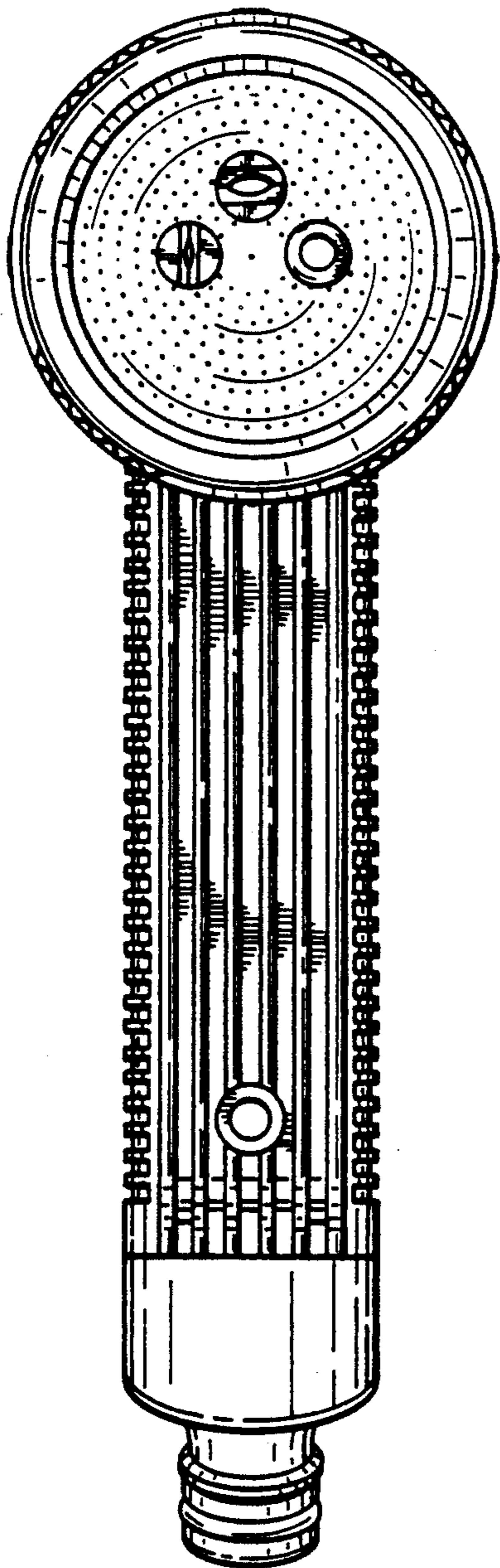


FIG. 7

