

[54] FISHING REEL

[75] Inventors: Yasuhisa Kameda; Shinichi Asano, both of Musashino, Japan

[73] Assignee: Daiwa Seiko, Inc., Tokyo, Japan

[**] Term: 14 Years

[21] Appl. No.: 286,766

[22] Filed: Dec. 20, 1988

[30] Foreign Application Priority Data

Jun. 28, 1988 [JP]	Japan	63-25633
[52] U.S. Cl.		D22/140
[58] Field of Search	D22/140, 141;	242/257-262, 279

[56] References Cited

U.S. PATENT DOCUMENTS

D. 291,473	8/1987	Nakamura	D22/140
D. 293,702	1/1988	Sakamoto et al.	D22/140
D. 299,848	2/1989	Hiraishi et al.	D22/140

OTHER PUBLICATIONS

Bass Pro Shop 1987 Catalog, p. 51, Shakespeare's, "President", Reel.

Primary Examiner—A. Hugo Word
Assistant Examiner—Doris V. Coles
Attorney, Agent, or Firm—Cushman, Darby & Cushman

[57] CLAIM

The ornamental design for a fishing reel, as shown and described.

DESCRIPTION

FIG. 1 is a top, front and one side perspective view of a fishing reel showing our new design;
 FIG. 2 is a top, rear and one side perspective view thereof;
 FIG. 3 is a front elevational view thereof;
 FIG. 4 is a top plan view thereof;
 FIG. 5 is a rear elevational view thereof;
 FIG. 6 is a bottom plan view thereof;
 FIG. 7 is a side elevational view of one side thereof;
 FIG. 8 is a side elevational view of the opposite side thereof; and
 FIG. 9 is a top, front and the opposite side perspective view in open position thereof.

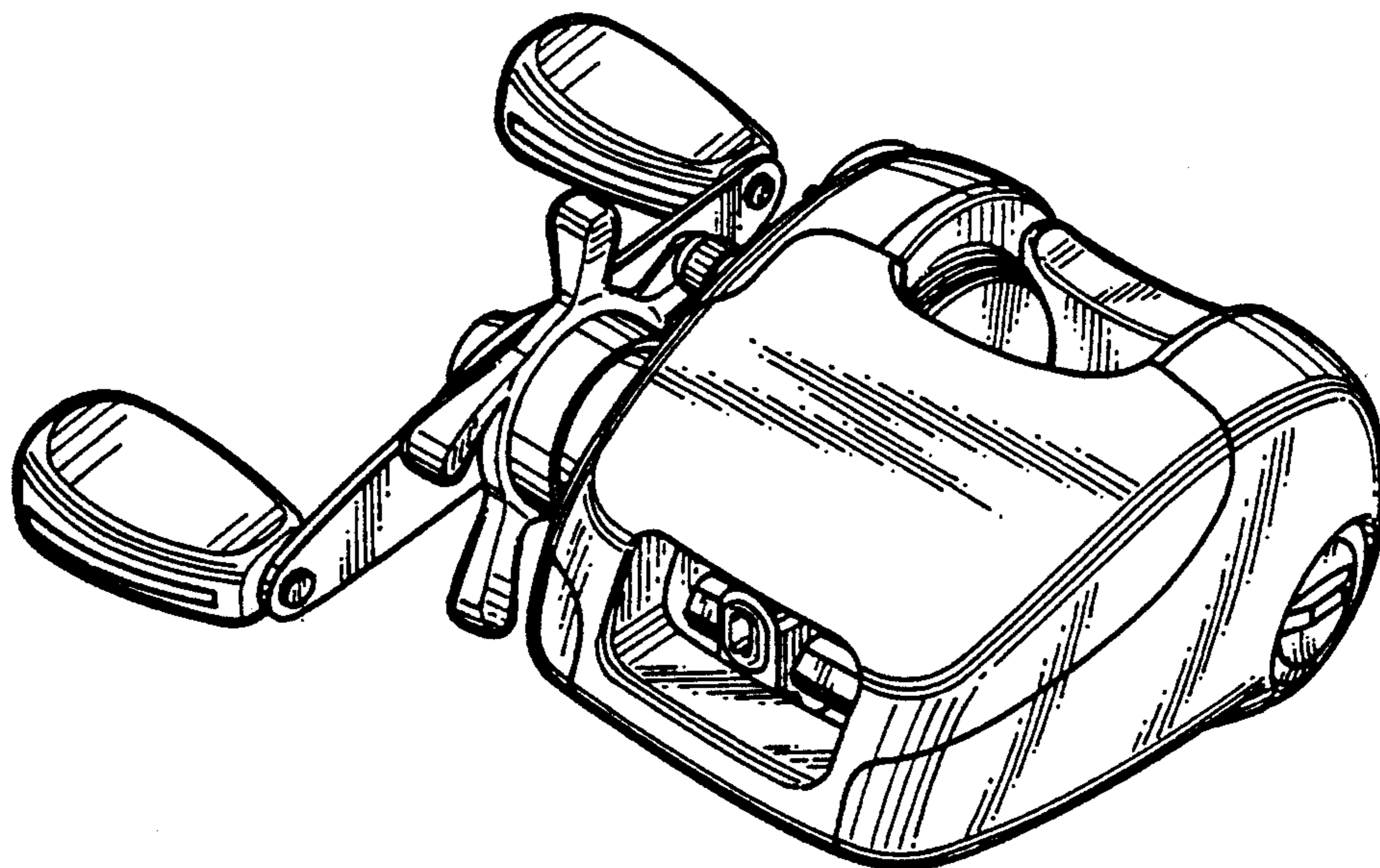


Fig. 1

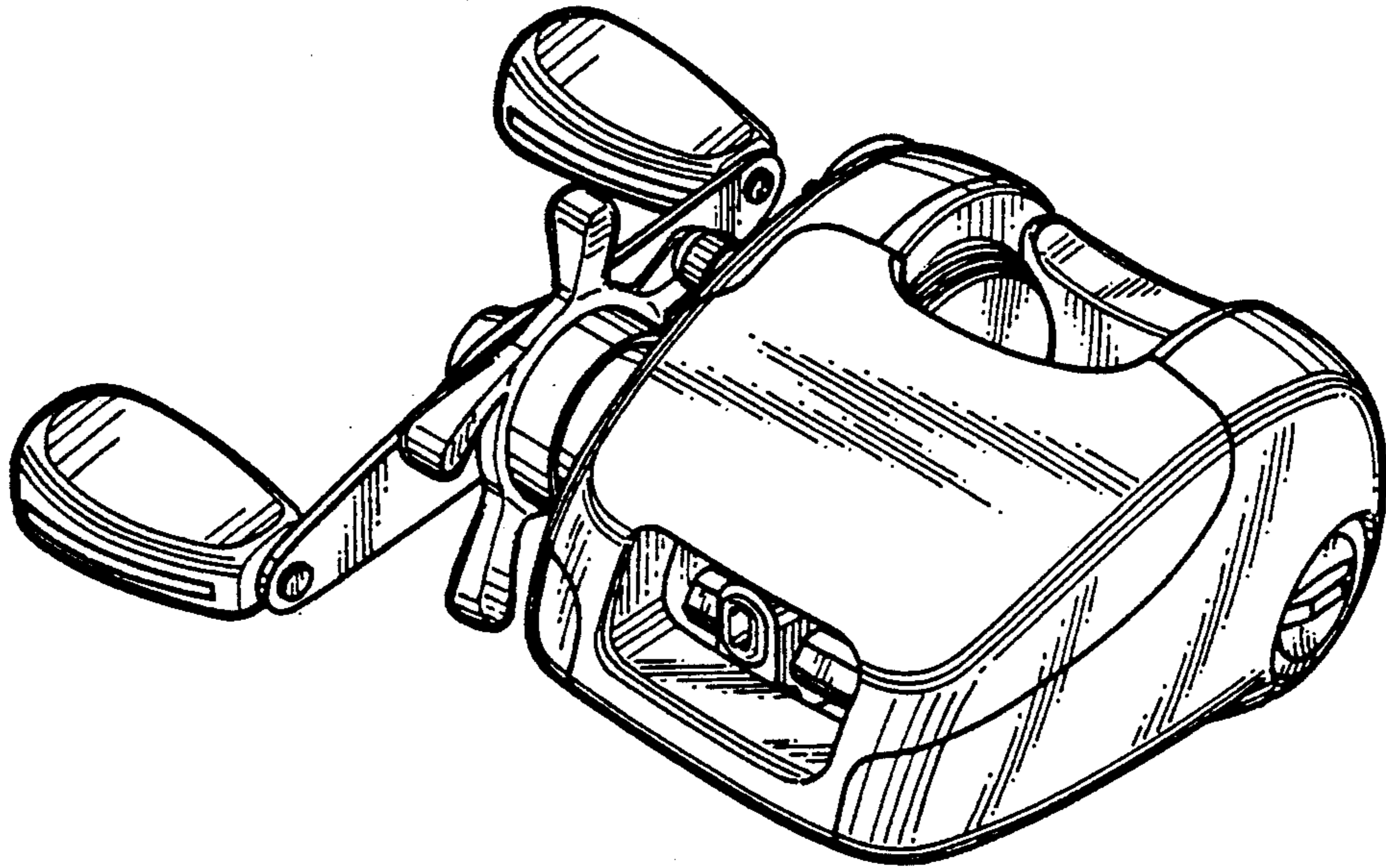


Fig. 2

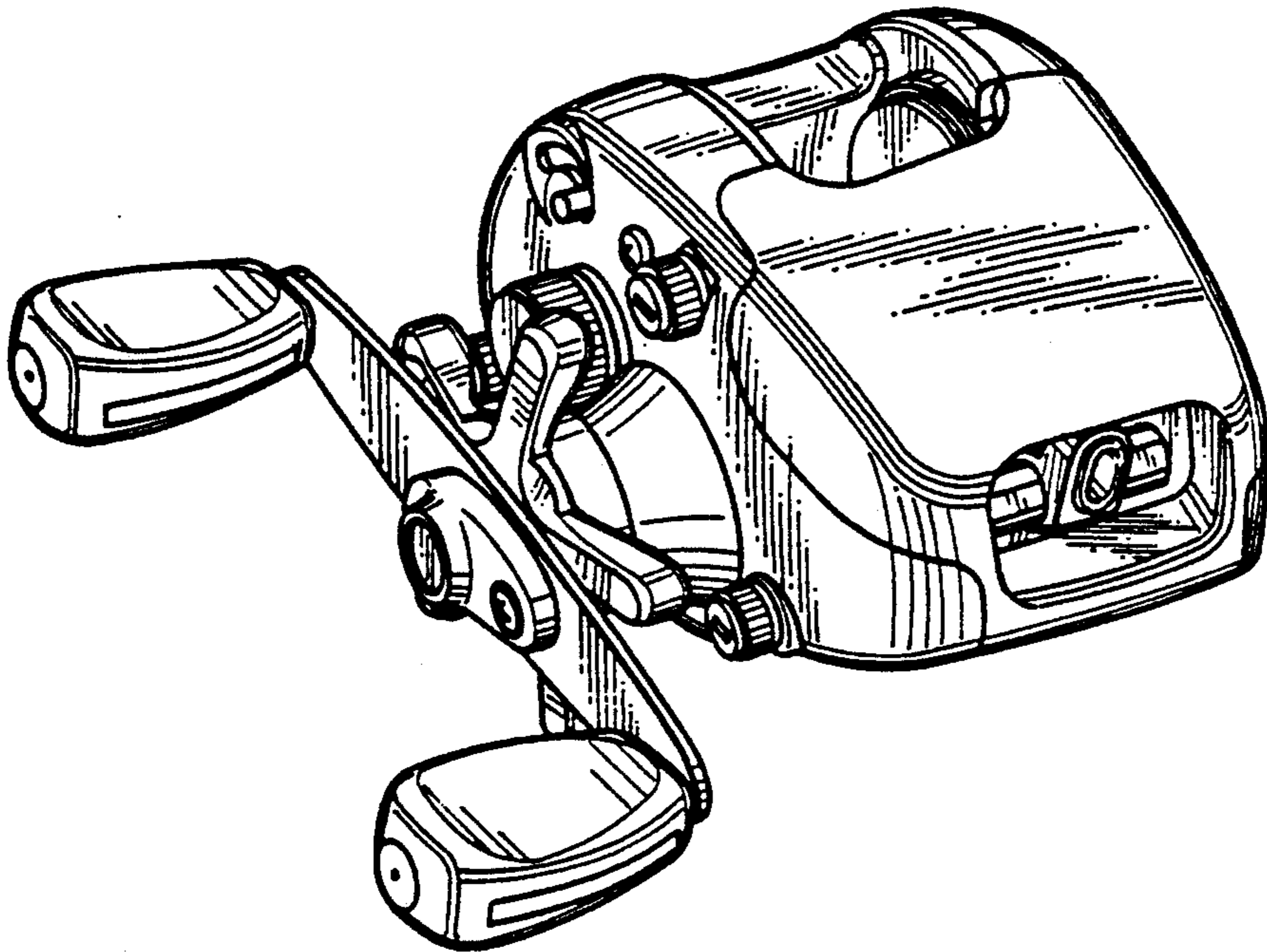


Fig. 3

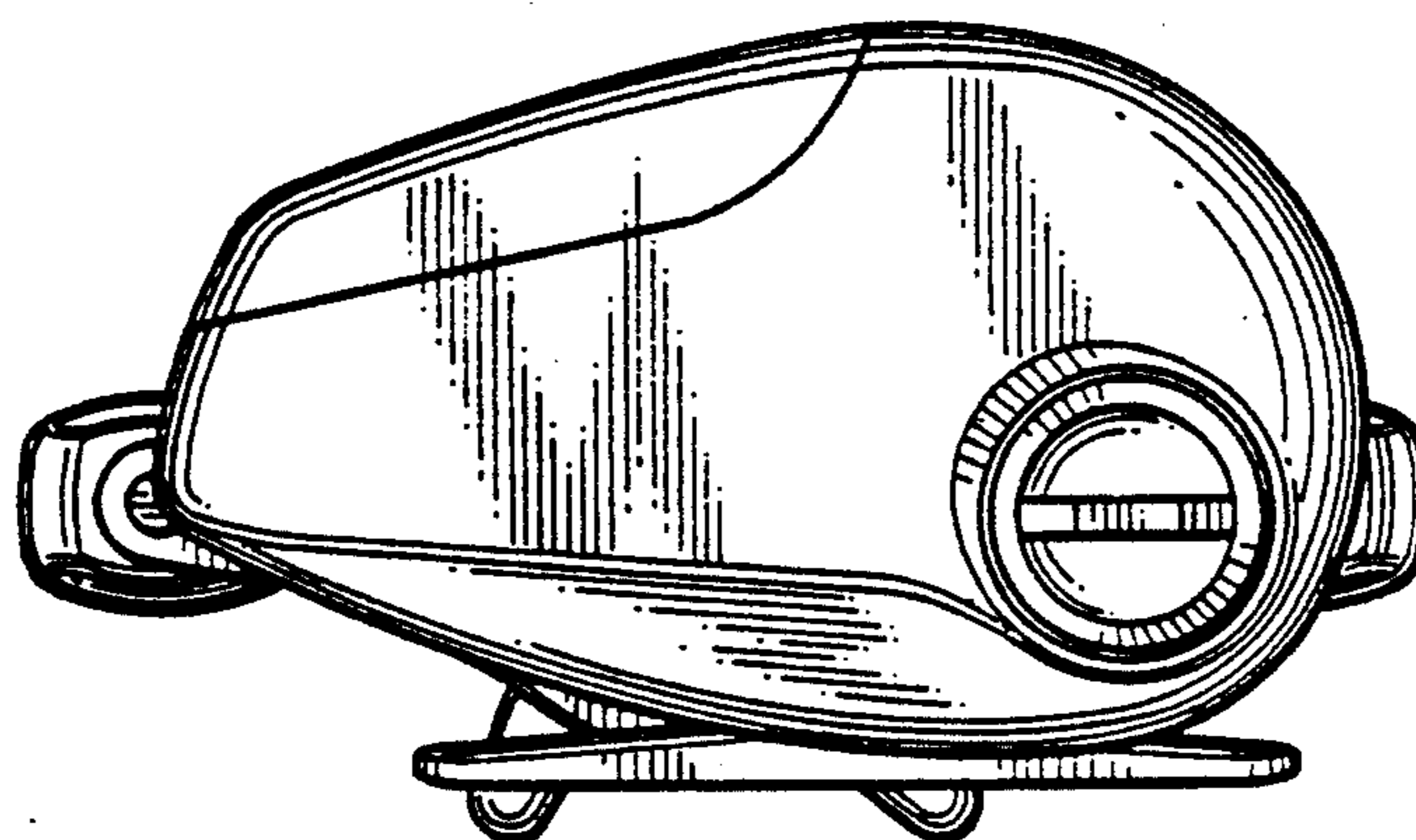


Fig. 4

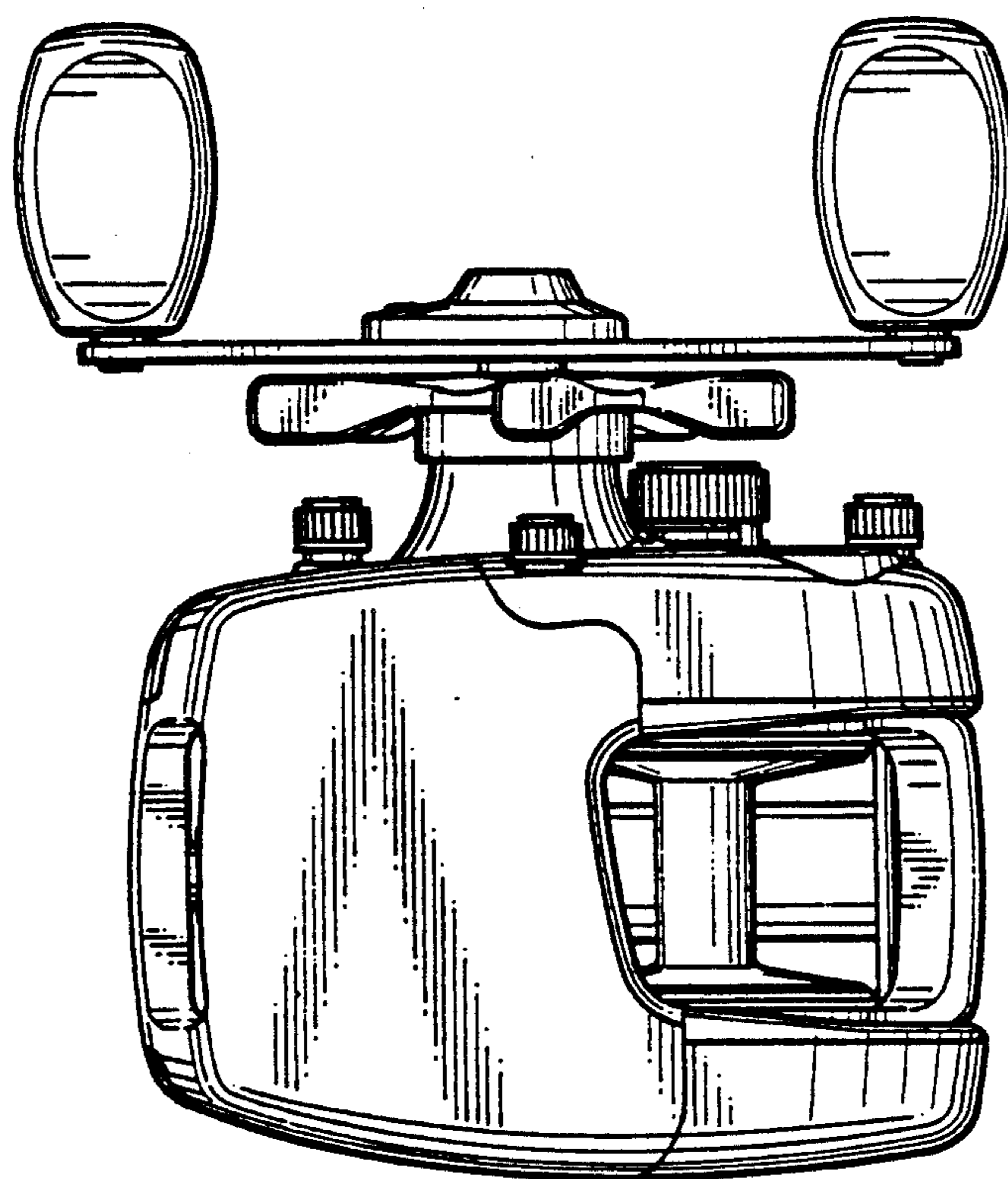


Fig. 5

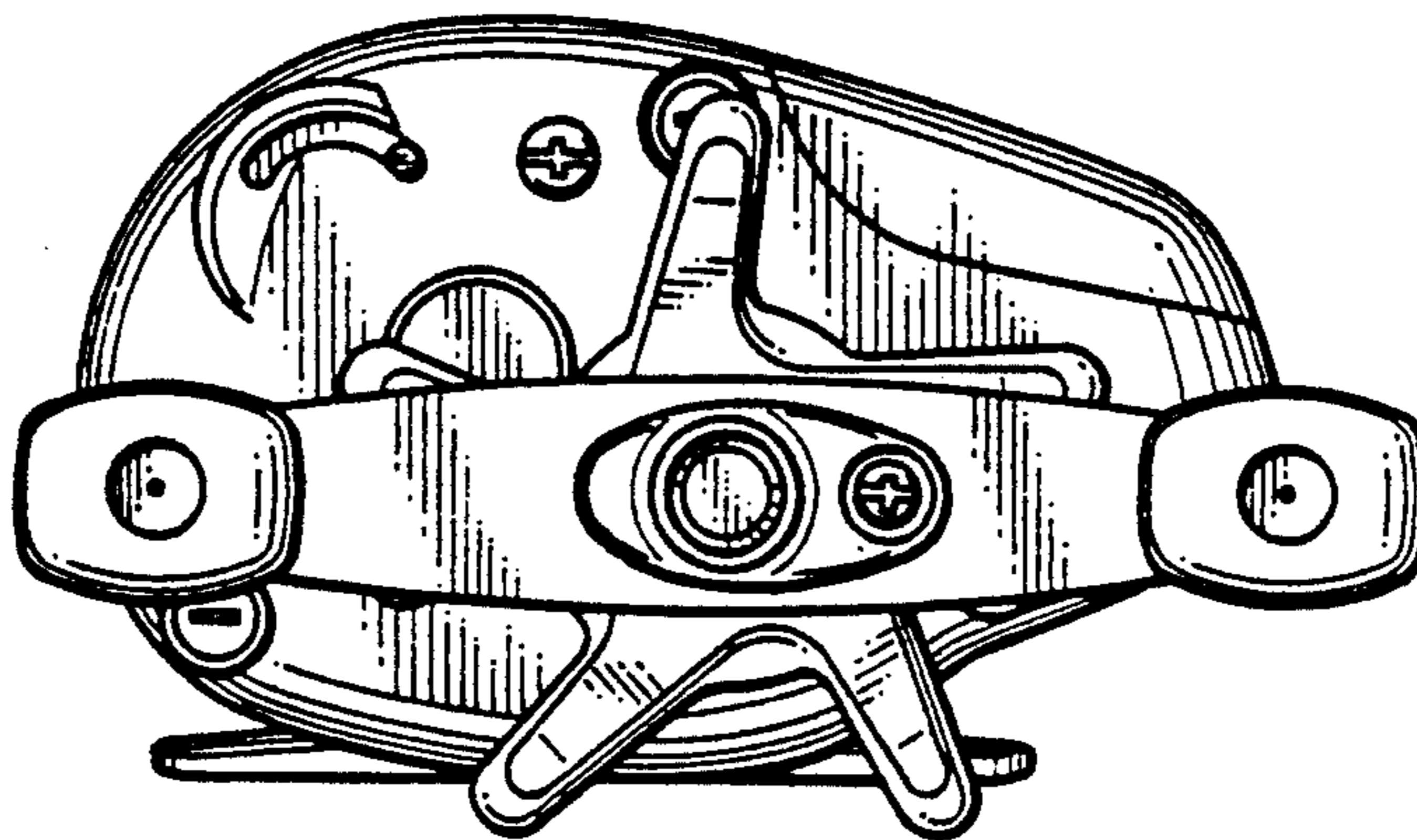


Fig. 6

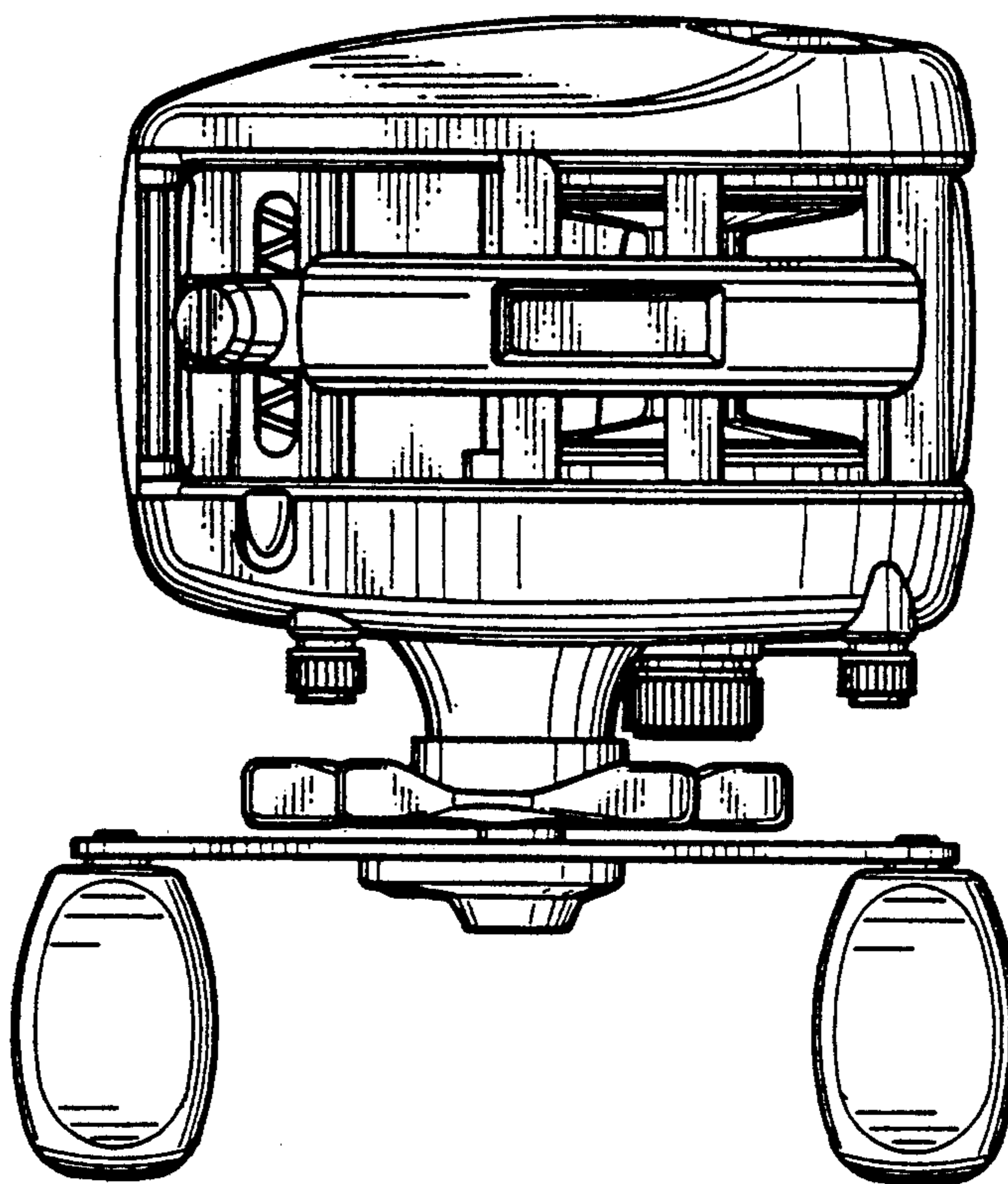


Fig. 7

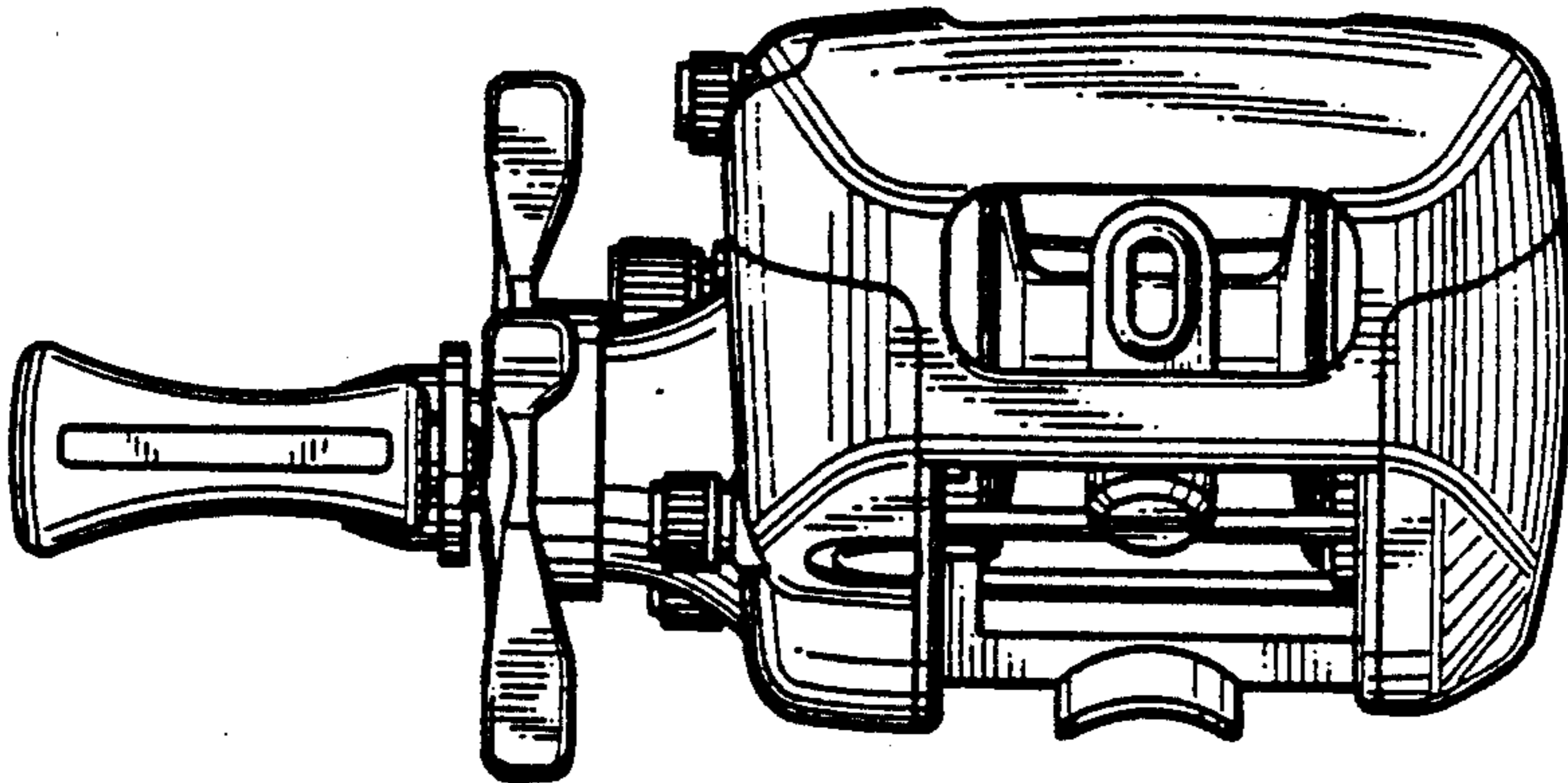


Fig. 8

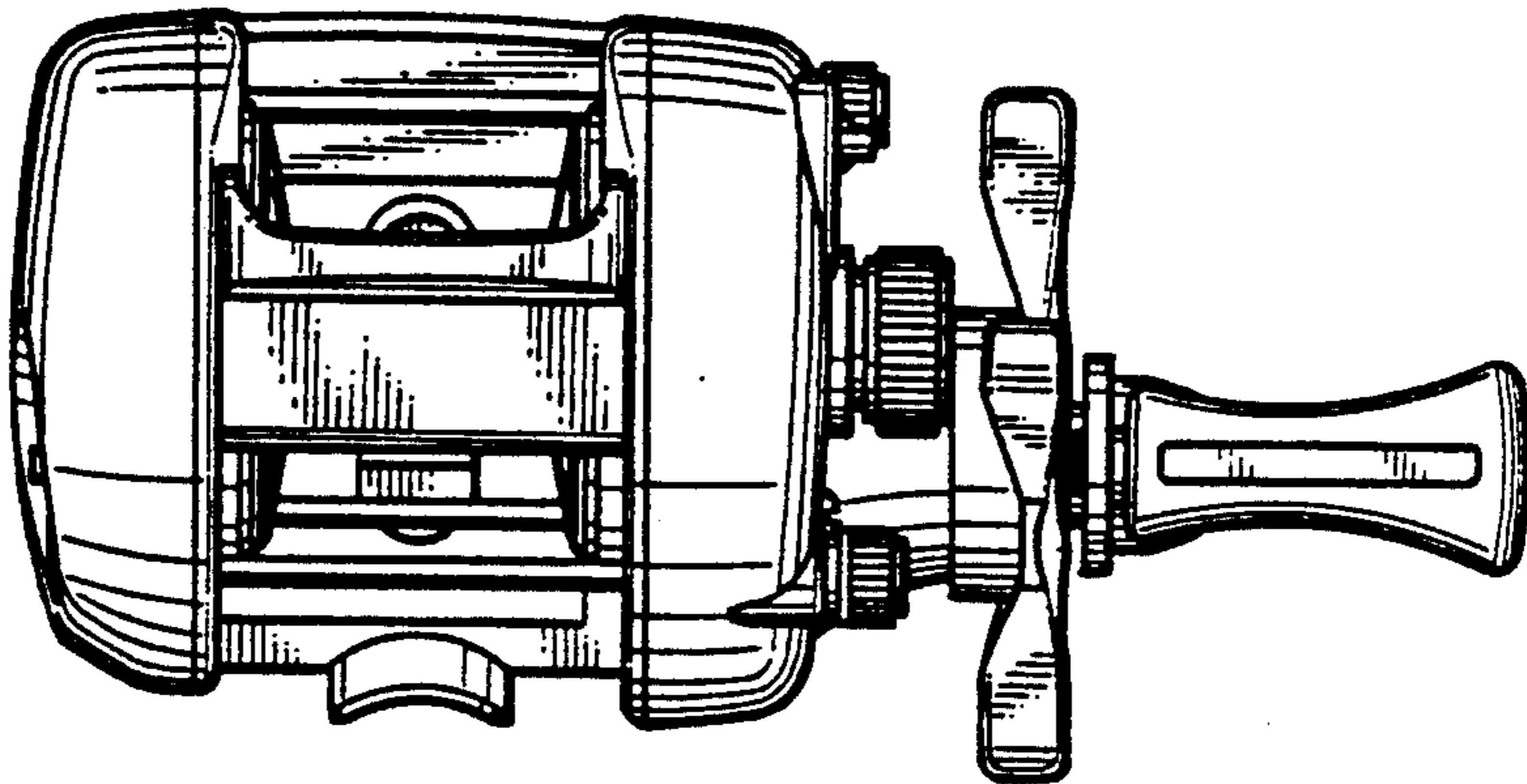


Fig. 9

