

[54] FOOT SUPPORT BLOCK FOR RUNNER

[76] Inventor: Milton A. Newton, Jr., 196 Prospect St., Desert Hot Springs, Calif. 92246

[\*\*] Term: 14 Years

[21] Appl. No.: 143,144

[22] Filed: Jan. 12, 1988

[52] U.S. Cl. .... D21/199

[58] Field of Search ..... D21/191, 199; 272/105

4,561,650 12/1985 Newton, Jr. .... 272/105  
4,611,803 9/1986 Newton, Jr. .... 272/105  
4,754,965 7/1988 Moye ..... 272/105

Primary Examiner—Charles A. Rademaker  
Assistant Examiner—Alicia A. Farrell  
Attorney, Agent, or Firm—William P. Green

[57] CLAIM

The ornamental design for a foot support block for runner, as shown and described.

DESCRIPTION

FIG. 1 is a top plan view of a foot support block for runner, showing my new design;  
FIG. 2 is a bottom plan view thereof;  
FIG. 3 is a side elevational view of the free side thereof;  
FIG. 4 is an elevational view of the attachment side thereof;  
FIG. 5 is a rear elevational view thereof; and  
FIG. 6 is a front elevational view thereof.

[56] References Cited

U.S. PATENT DOCUMENTS

D. 293,009	12/1987	Pieniniemi	.....	D21/199
1,701,026	2/1929	Bresnahan	.....	272/105
1,793,898	2/1931	Barron	.....	272/105
2,900,187	8/1959	Hondorp	.....	272/105
3,010,321	11/1961	Morrow	.....	272/105
3,724,843	4/1973	Fichter et al.	.....	272/105

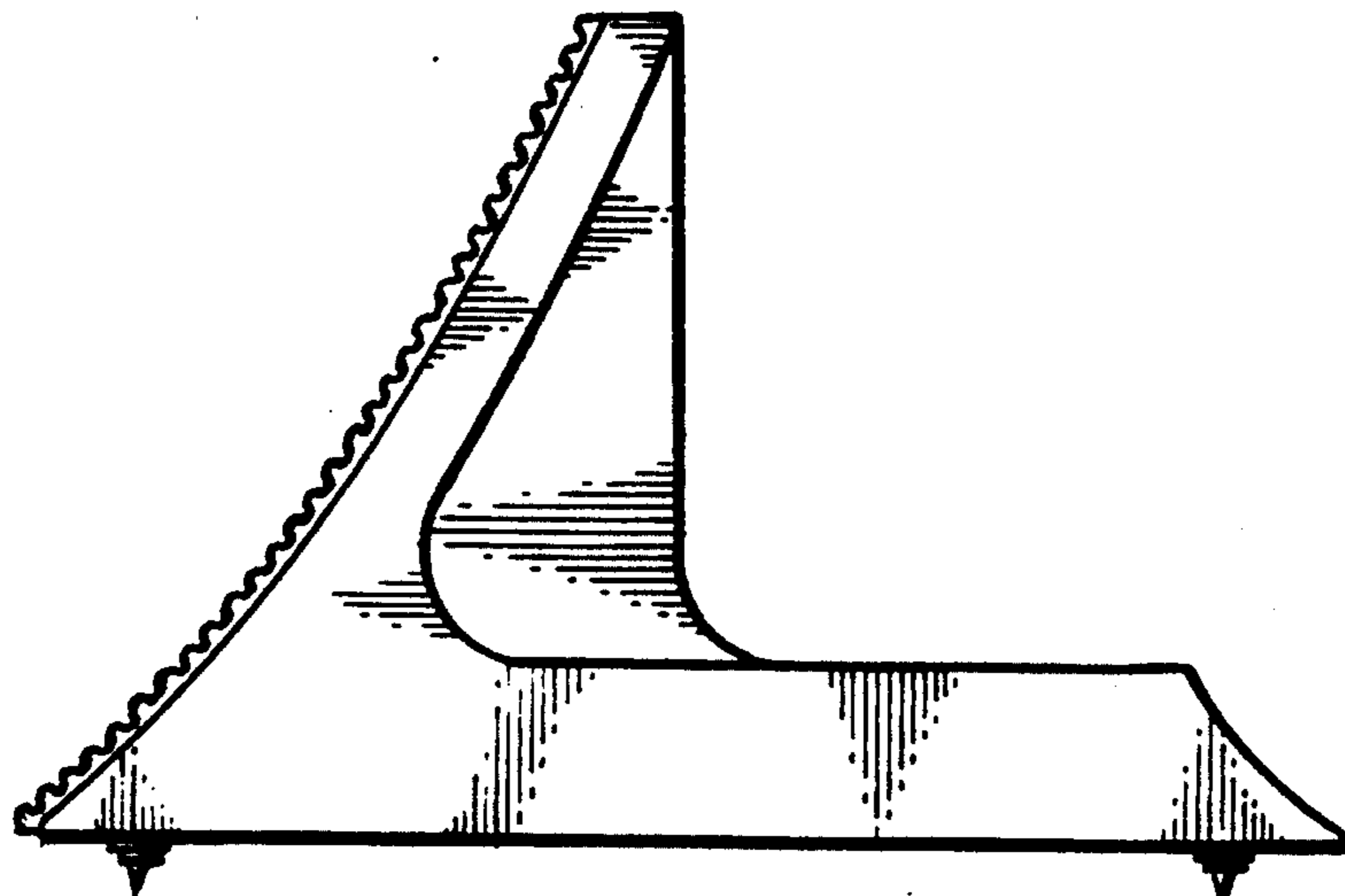
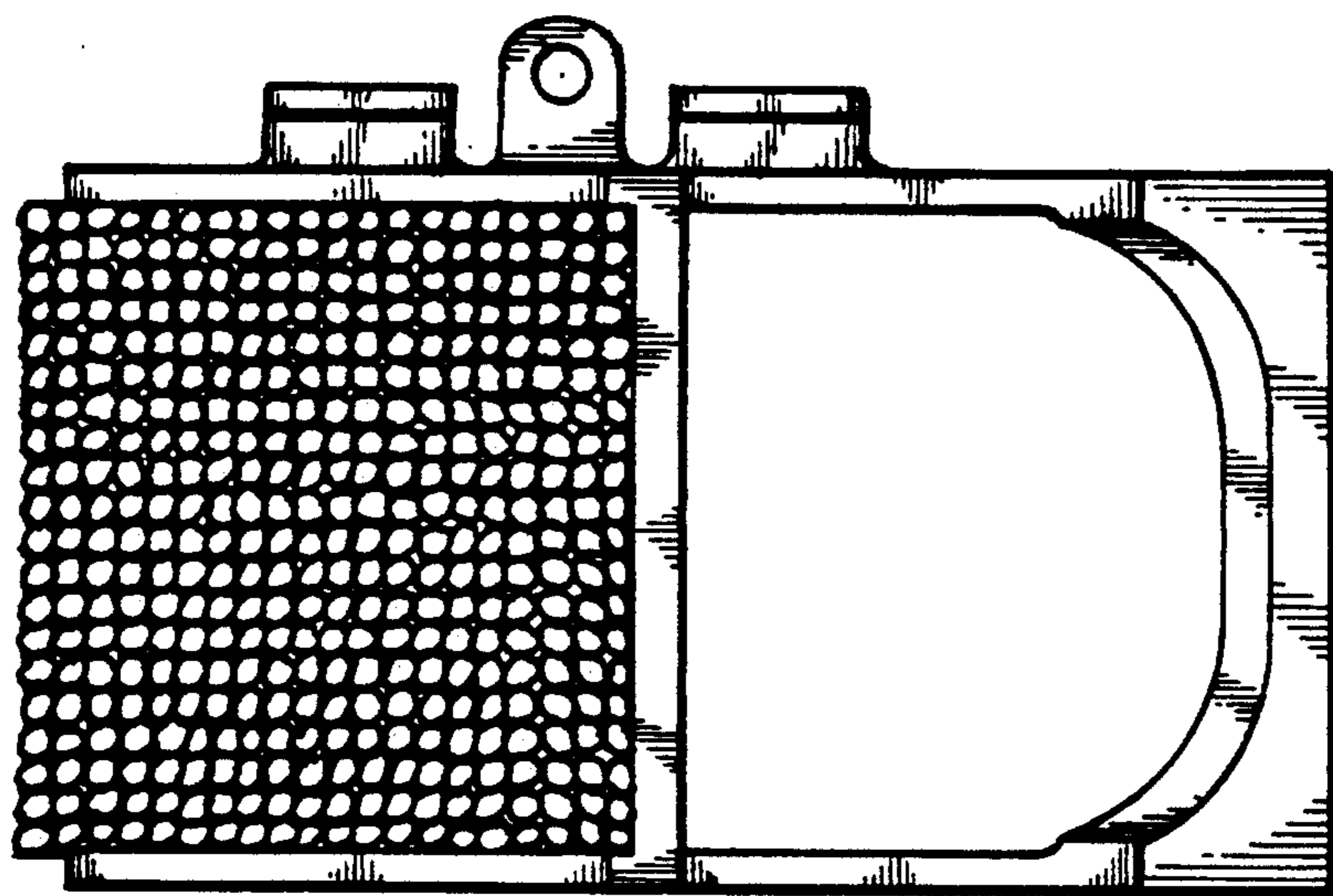


FIG. 1.

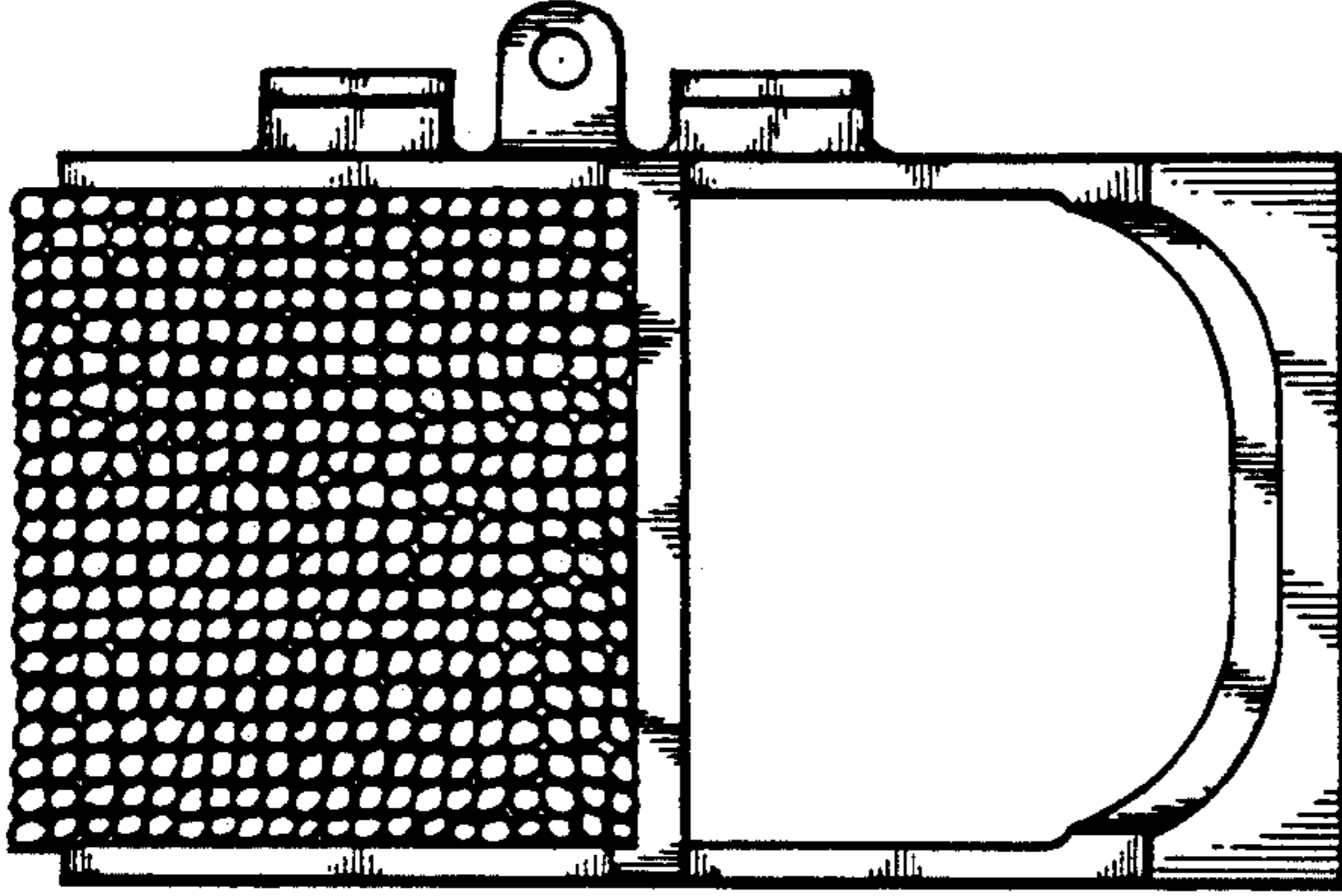


FIG. 6.

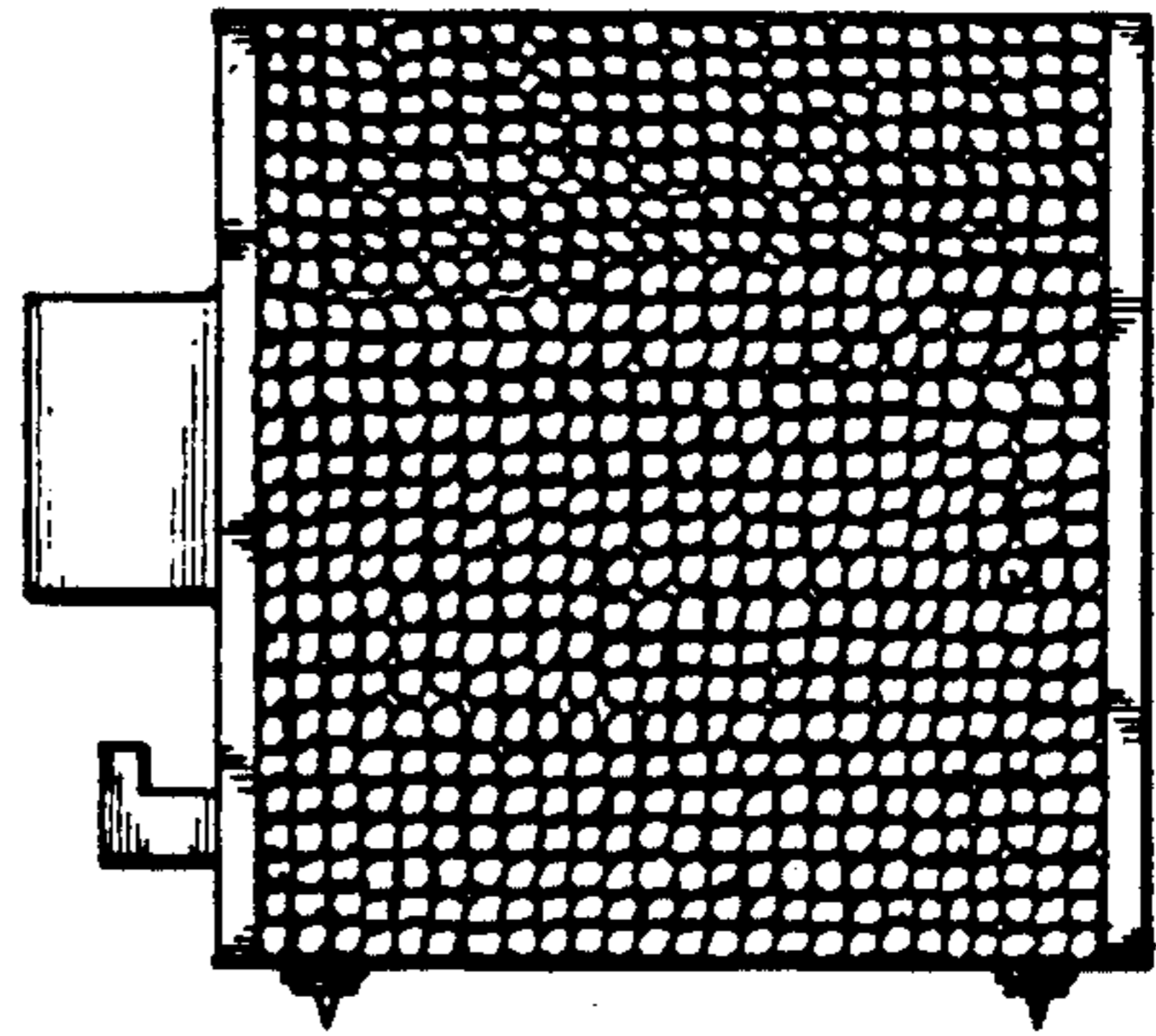


FIG. 2.

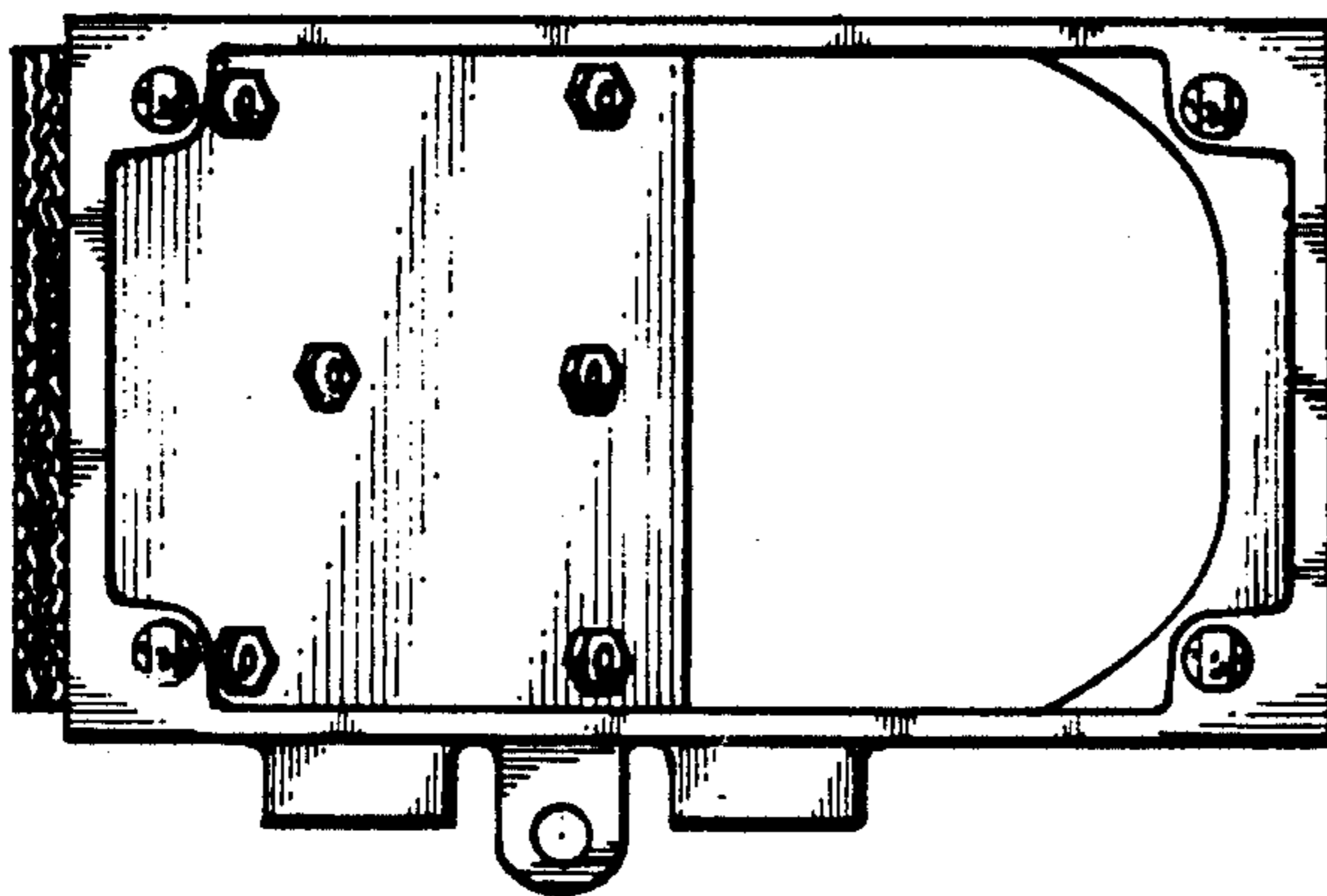


FIG. 5.

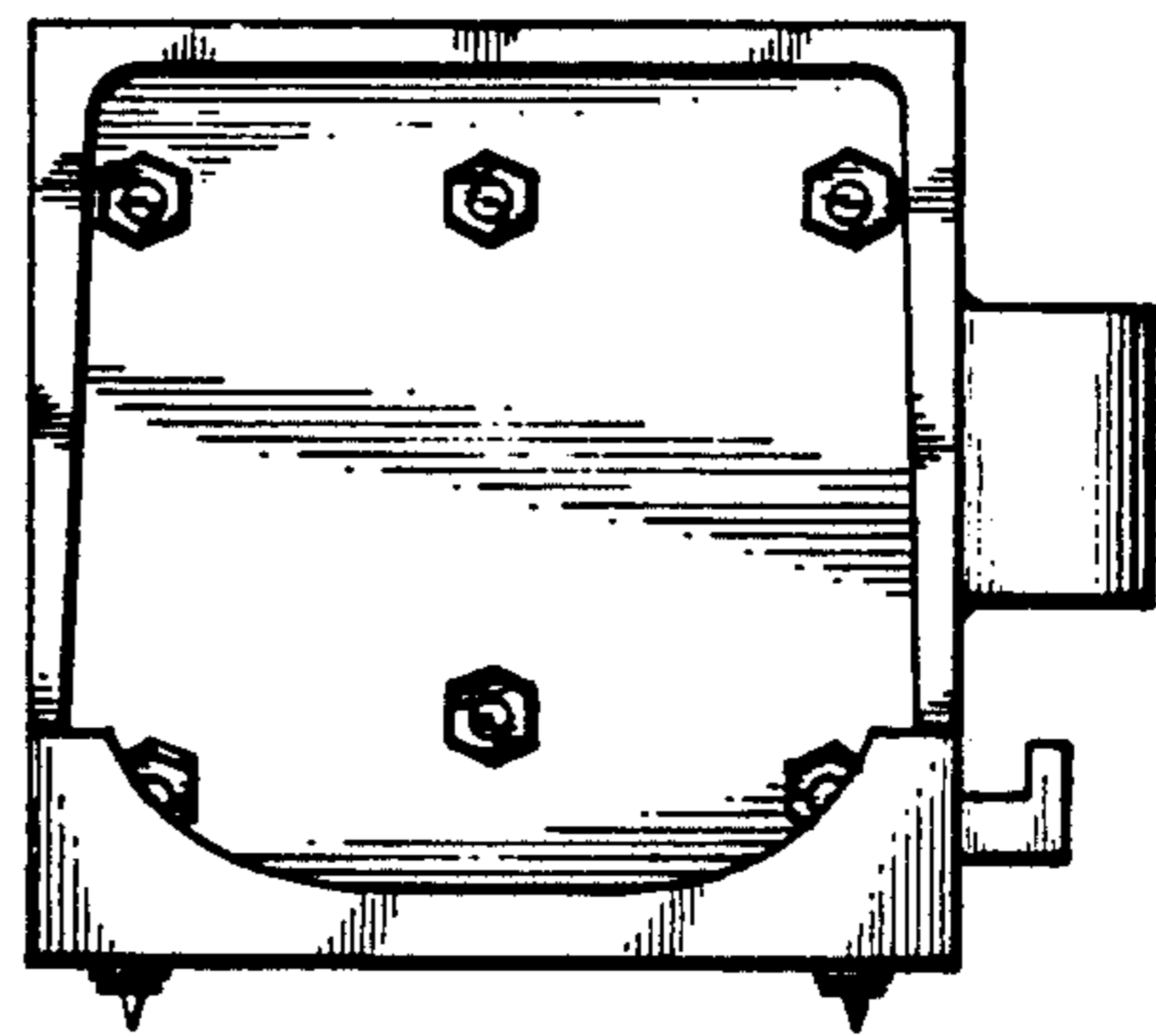


FIG. 3.

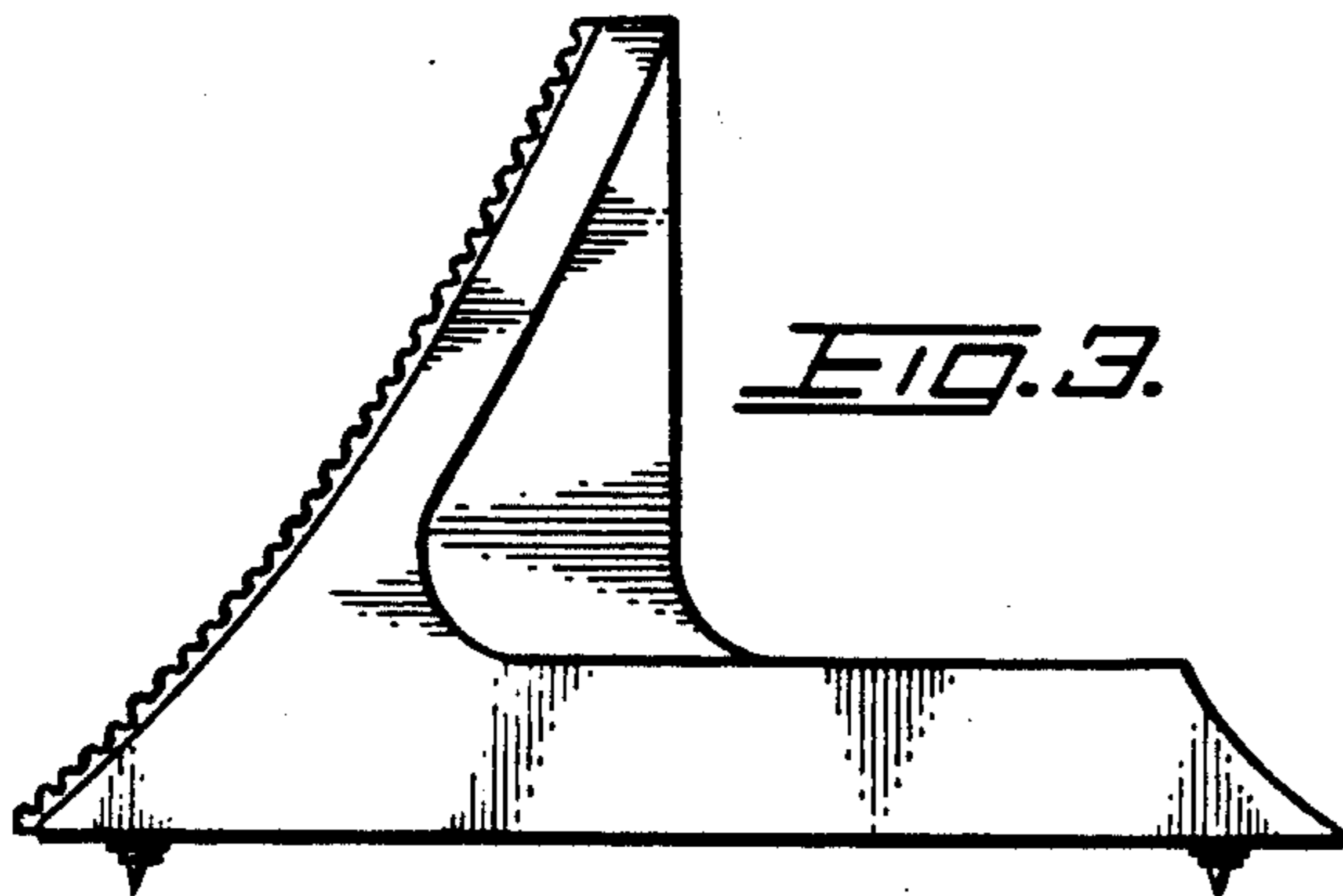


FIG. 4.

