

[54] DUMBBELL

[76] Inventor: David Huang, 424, Sec. 2, Yuan Lu Rd., Shi Szu Village, Fu Shin Hsiang, Changhua, Taiwan

[**] Term: 14 Years

[21] Appl. No.: 164,375

[22] Filed: Mar. 3, 1988

[30] Foreign Application Priority Data

Sep. 21, 1987 [TW] Taiwan 76305752

[52] U.S. Cl. D21/197

[58] Field of Search D21/191-199; 272/67, 68, 122, 123, 124, 96, 116, 119

[56] References Cited

U.S. PATENT DOCUMENTS

D. 271,407 11/1983 Wright D21/197

D. 284,781 7/1986 Olson D21/196
2,205,161 6/1940 Vick D21/198
2,475,656 7/1949 Bidak D21/198
4,039,183 8/1977 Sakurada 272/67

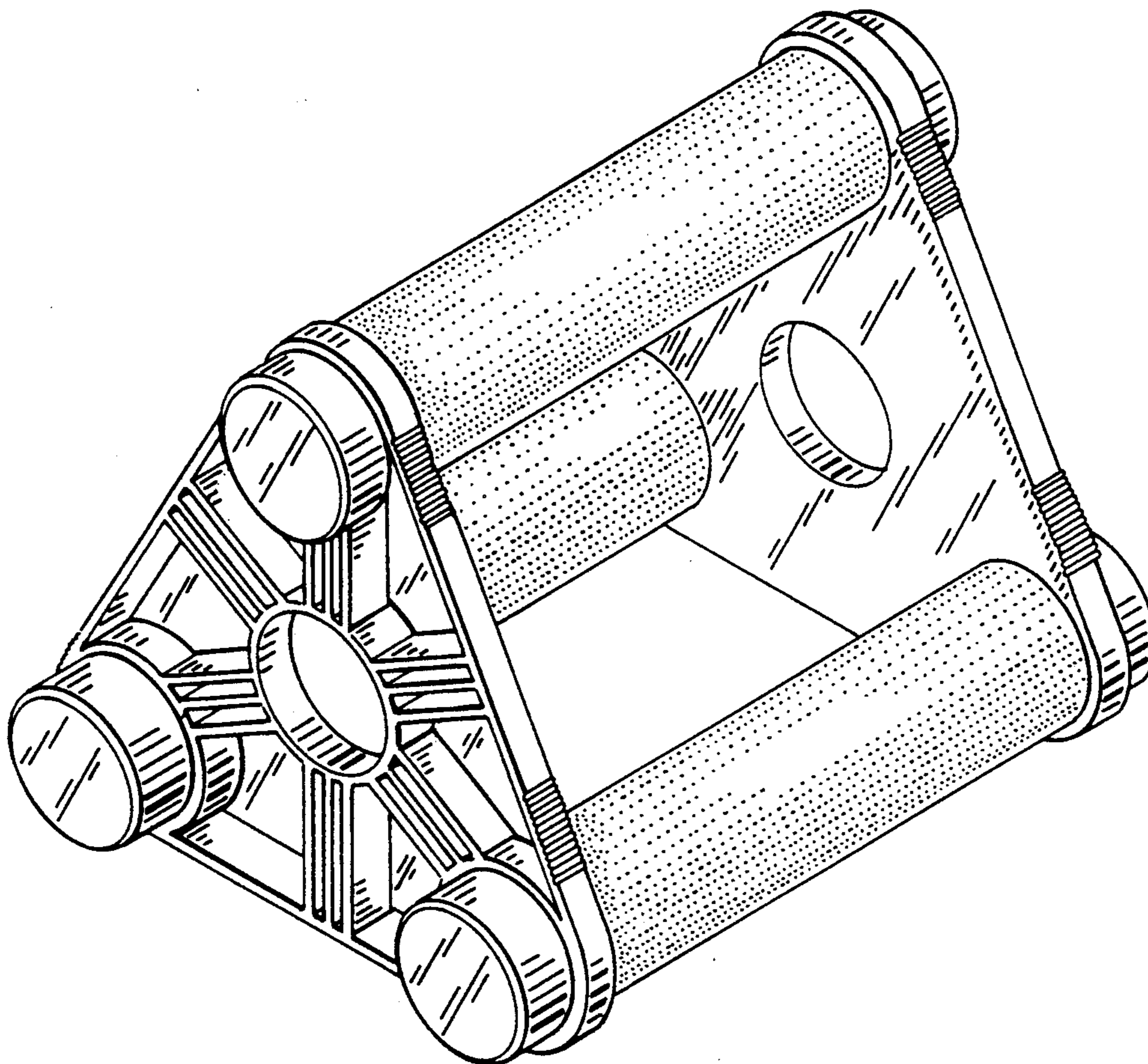
Primary Examiner—Charles A. Rademaker
Attorney, Agent, or Firm—Klein & Vibber

[57] CLAIM

The ornamental design for a dumbbell, as shown and described.

DESCRIPTION

FIG. 1 is a perspective view of a dumbbell showing my new design;
FIG. 2 is a side elevational view thereof shown on a reduced scale, the side opposite being a mirror image;
FIG. 3 is a right side elevational view thereof, the side opposite being a mirror image;
FIG. 4 is a top plan view thereof; and,
FIG. 5 is a bottom plan view thereof.



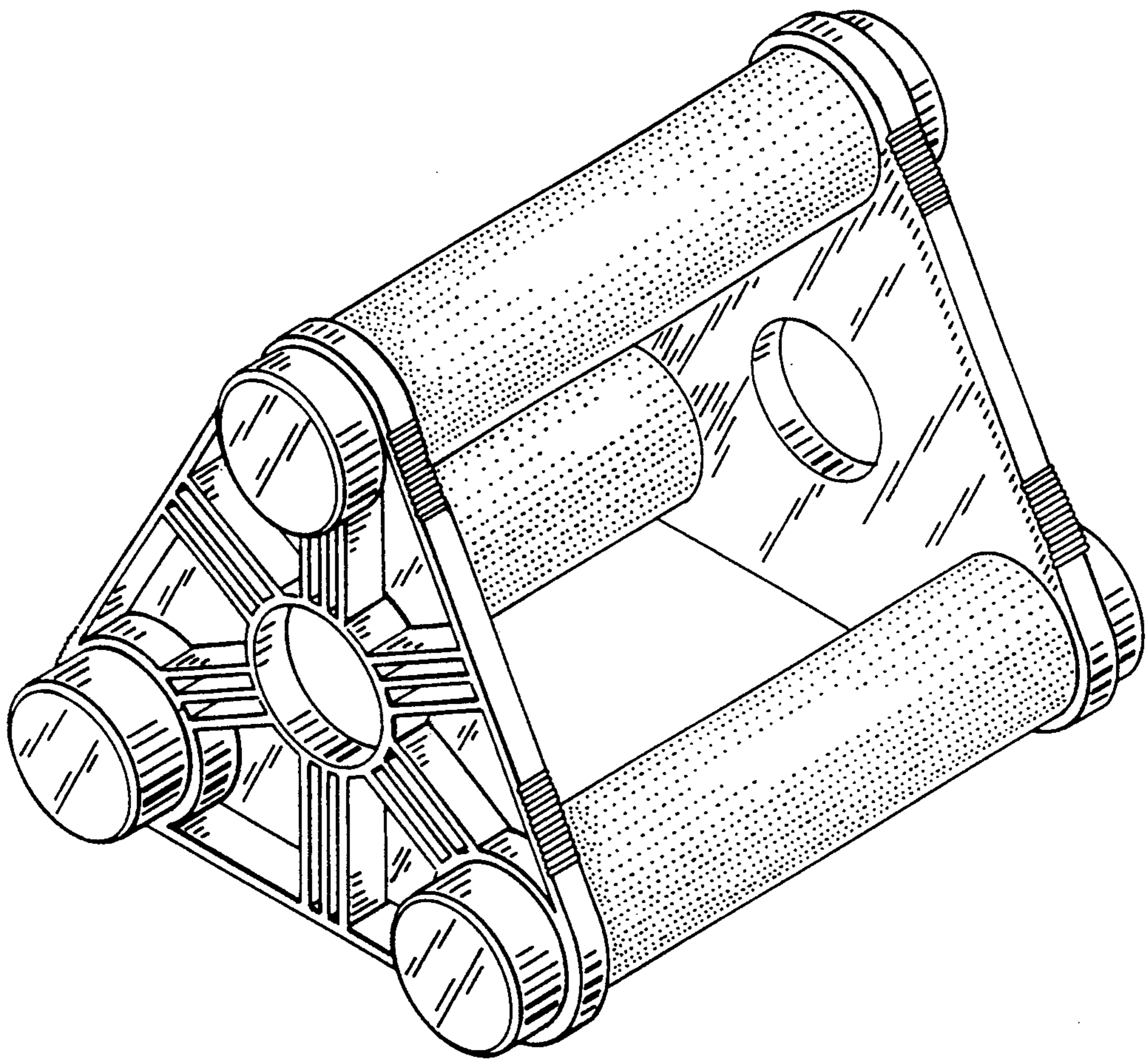


FIG. 1

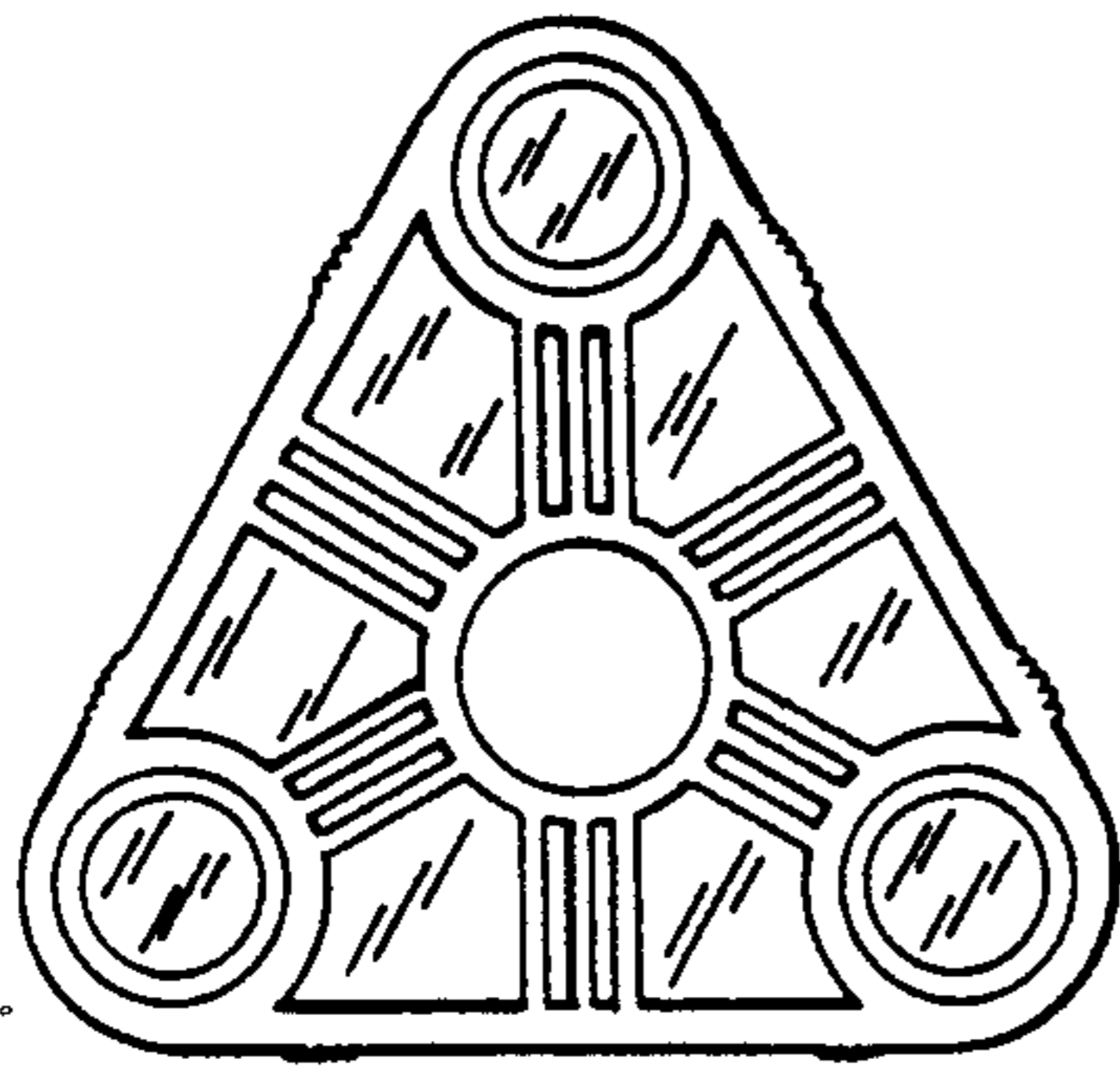


FIG. 2

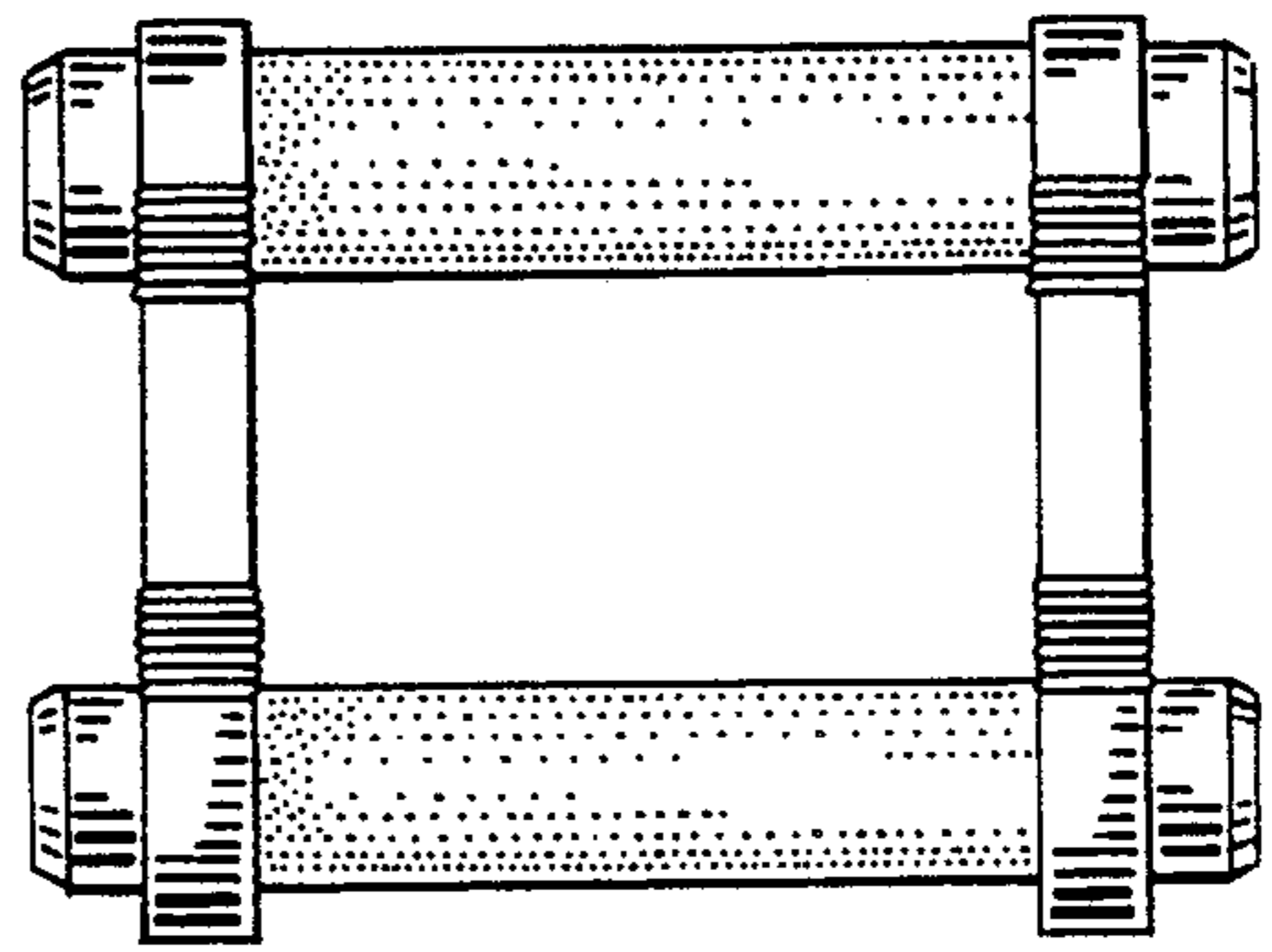


FIG. 3

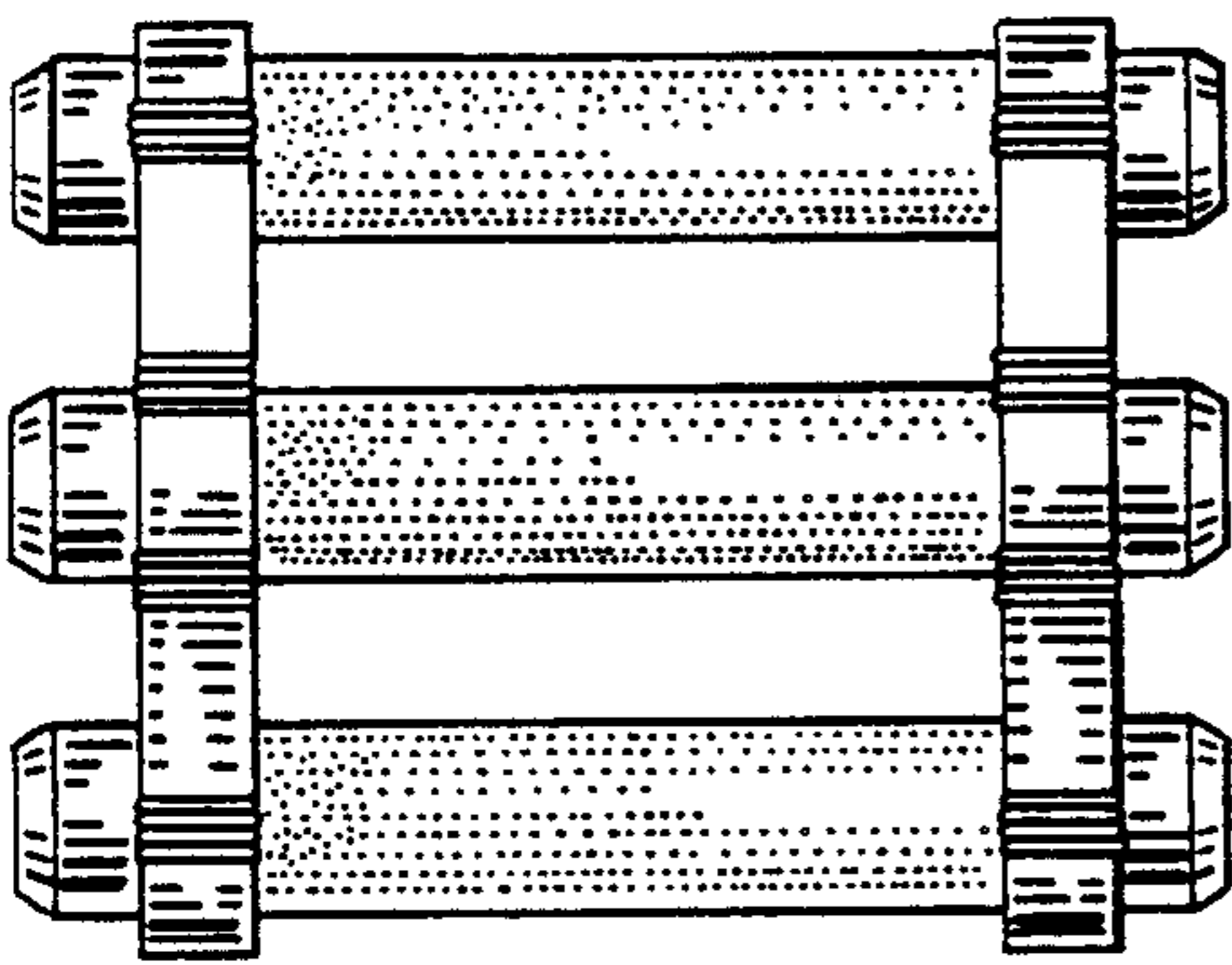


FIG. 4

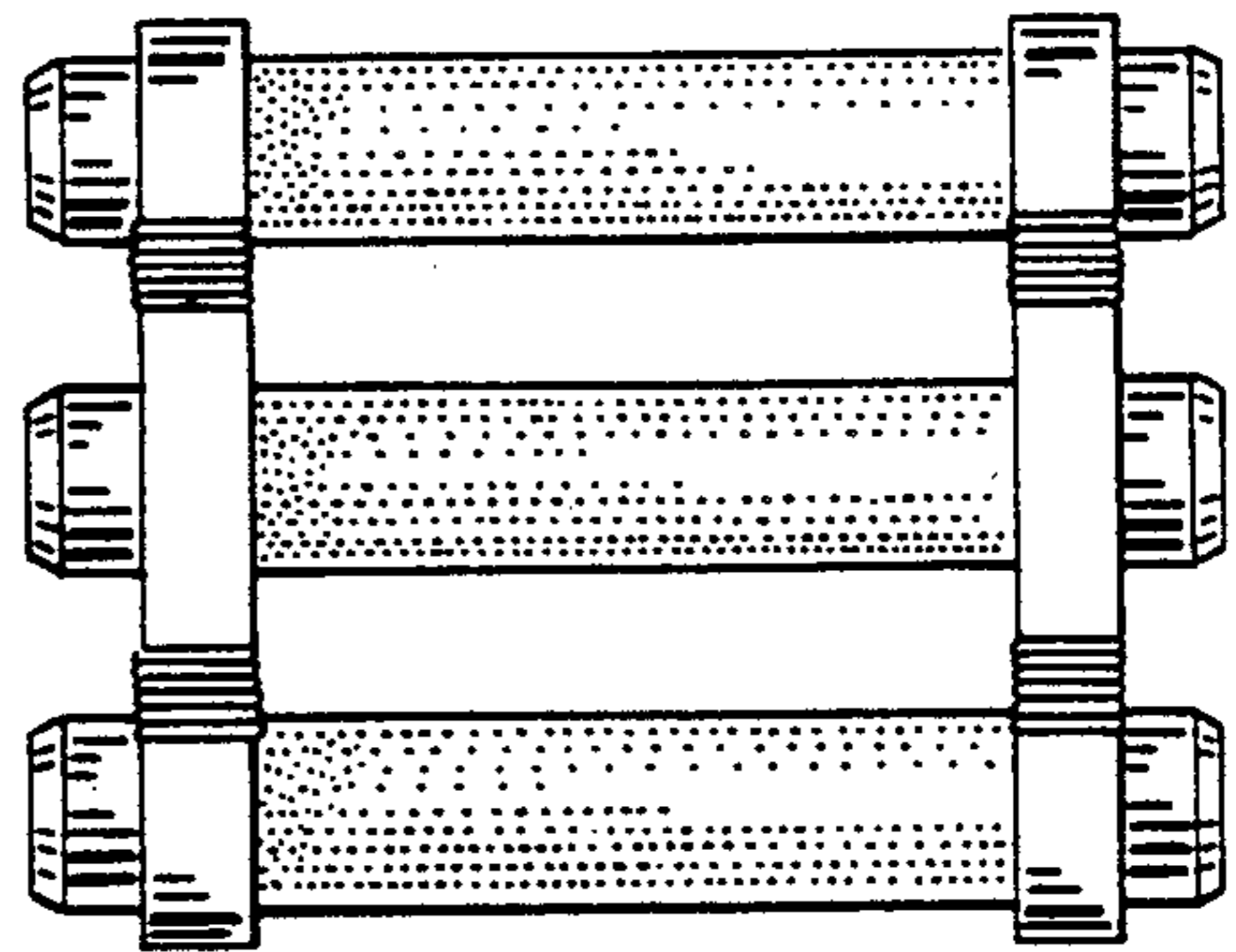


FIG. 5