

[54] TOY TRUCK

[75] Inventor: Ib H. Berggren, Vedbaek, Denmark

[73] Assignee: Interlego AG, Switzerland

[**] Term: 14 Years

[21] Appl. No.: 442,925

[22] Filed: Nov. 29, 1989

[52] U.S. Cl. D21/134

[58] Field of Search D21/128, 134, 136, 140, D21/141, 59; 446/465, 470, 428, 434, 451

[56] References Cited

U.S. PATENT DOCUMENTS

- D. 219,879 2/1971 Ostrander D21/134
- D. 253,193 10/1979 Pauly D21/136
- 3,034,254 5/1962 Christiansen D21/108

OTHER PUBLICATIONS

- Hong Kong Toys, '88, p. 581, 2nd from bottom on right.
- Hong Kong Toy, '88, p. 149, in middle of lowest row.

Toy and Novelty, Aug. 1969, p. 39 (Vehicle Digest) lower right photo.

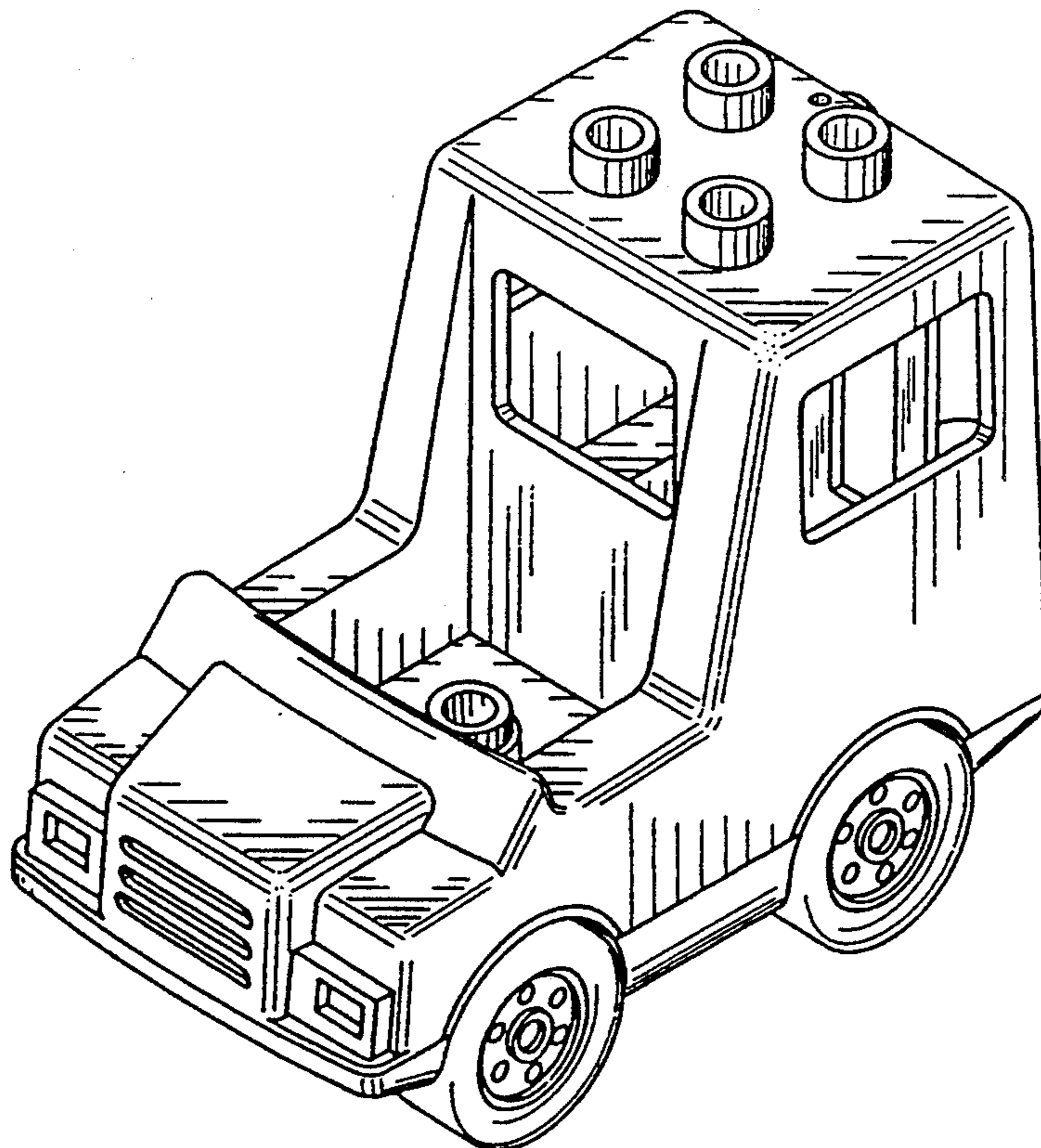
Primary Examiner—Charles A. Rademaker
Attorney, Agent, or Firm—Kane, Dalsimer, Sullivan, Kurucz, Levy, Eisele and Richard

[57] CLAIM

The ornamental design for a toy truck, as shown and described.

DESCRIPTION

FIG. 1 is a top perspective view of the toy truck showing my new design;
 FIG. 2 is a bottom perspective view thereof;
 FIG. 3 is a front elevational view thereof;
 FIG. 4 is a side elevational view thereof, the side opposite being a mirror image;
 FIG. 5 is a rear elevational view thereof;
 FIG. 6 is a top plan view thereof;
 FIG. 7 is a bottom plan view thereof;
 FIG. 8 is a top perspective view thereof in an open position; and,
 FIG. 9 is a bottom perspective view thereof in an open position.



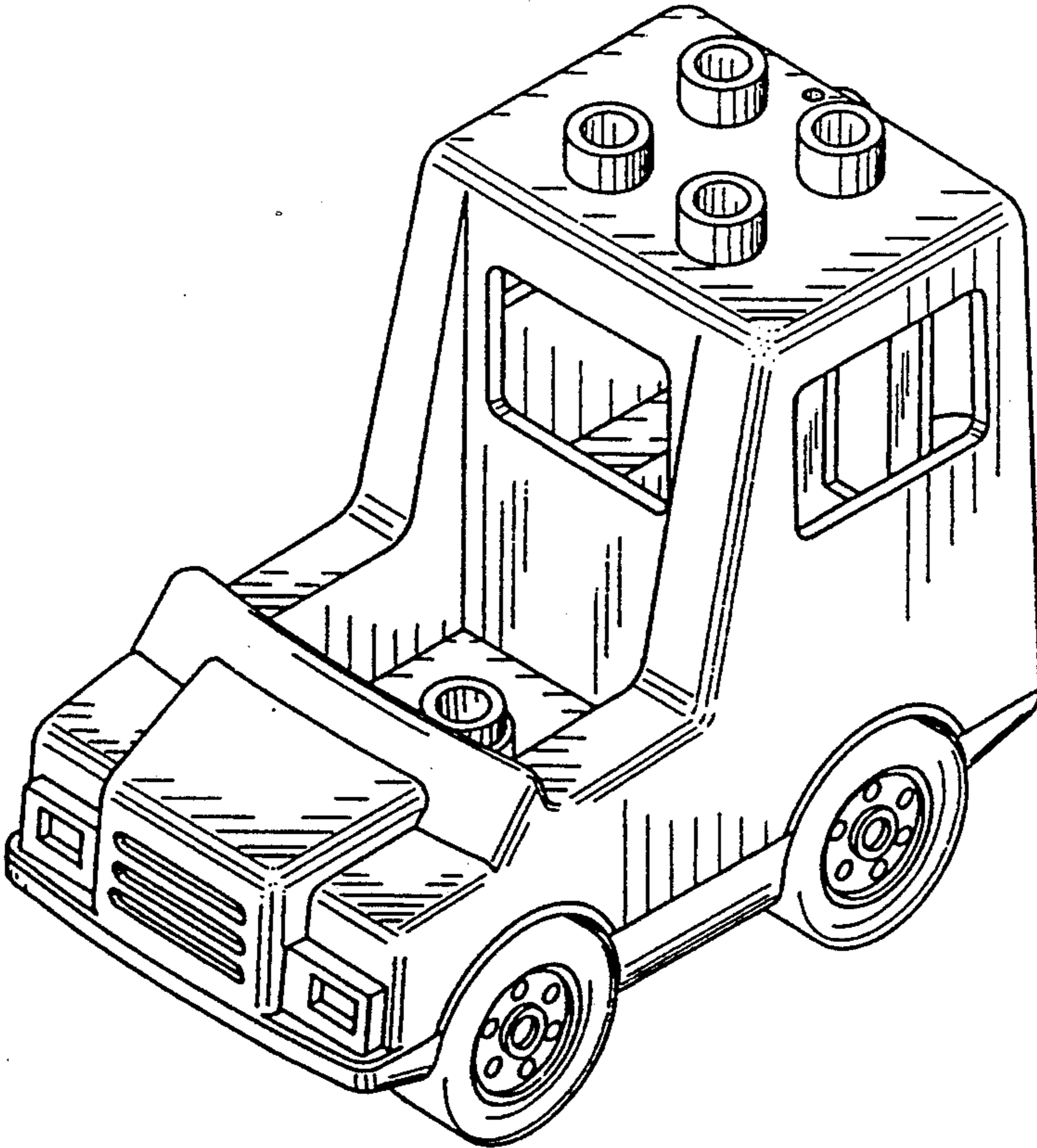


FIG. 1

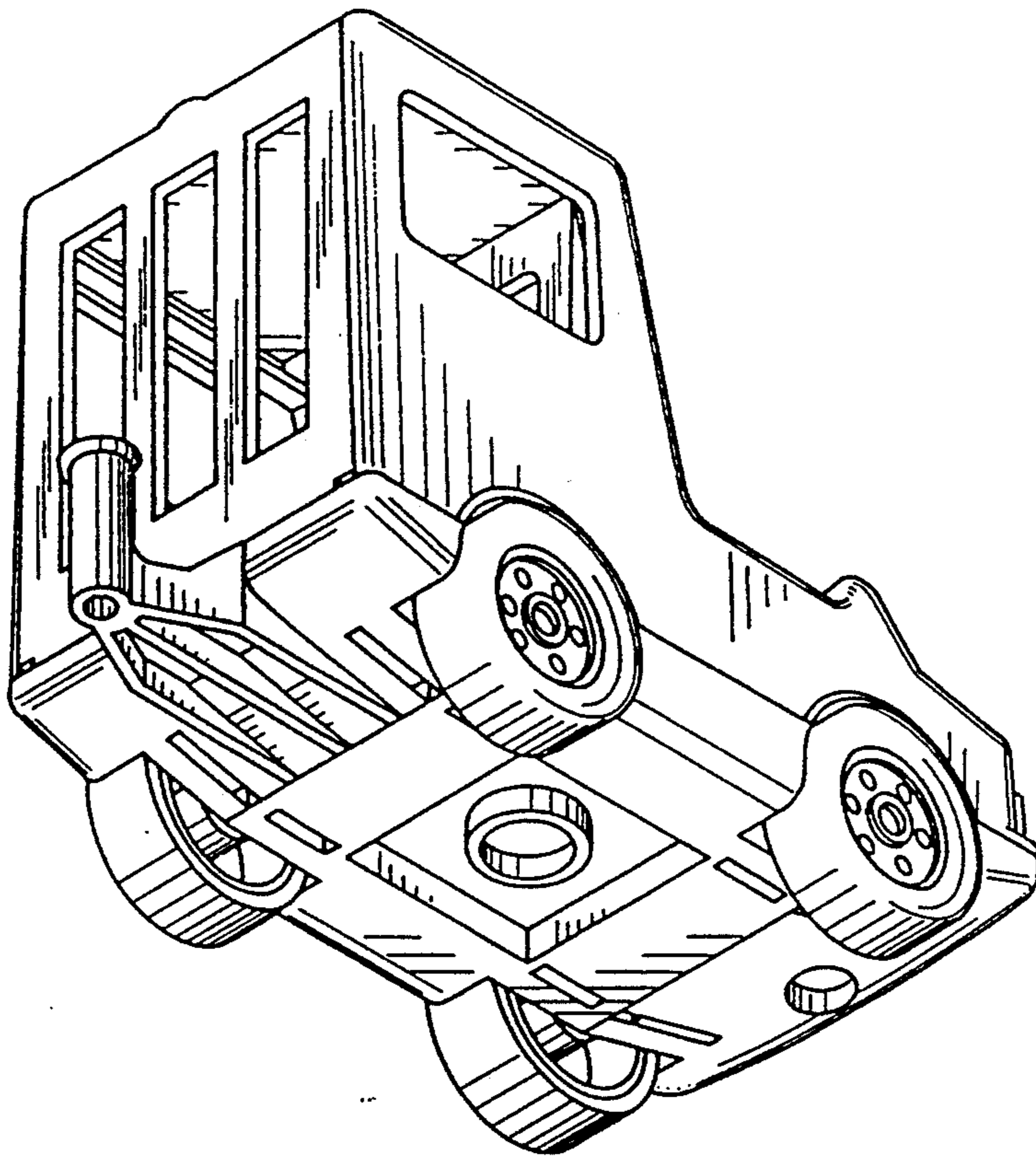


FIG. 2

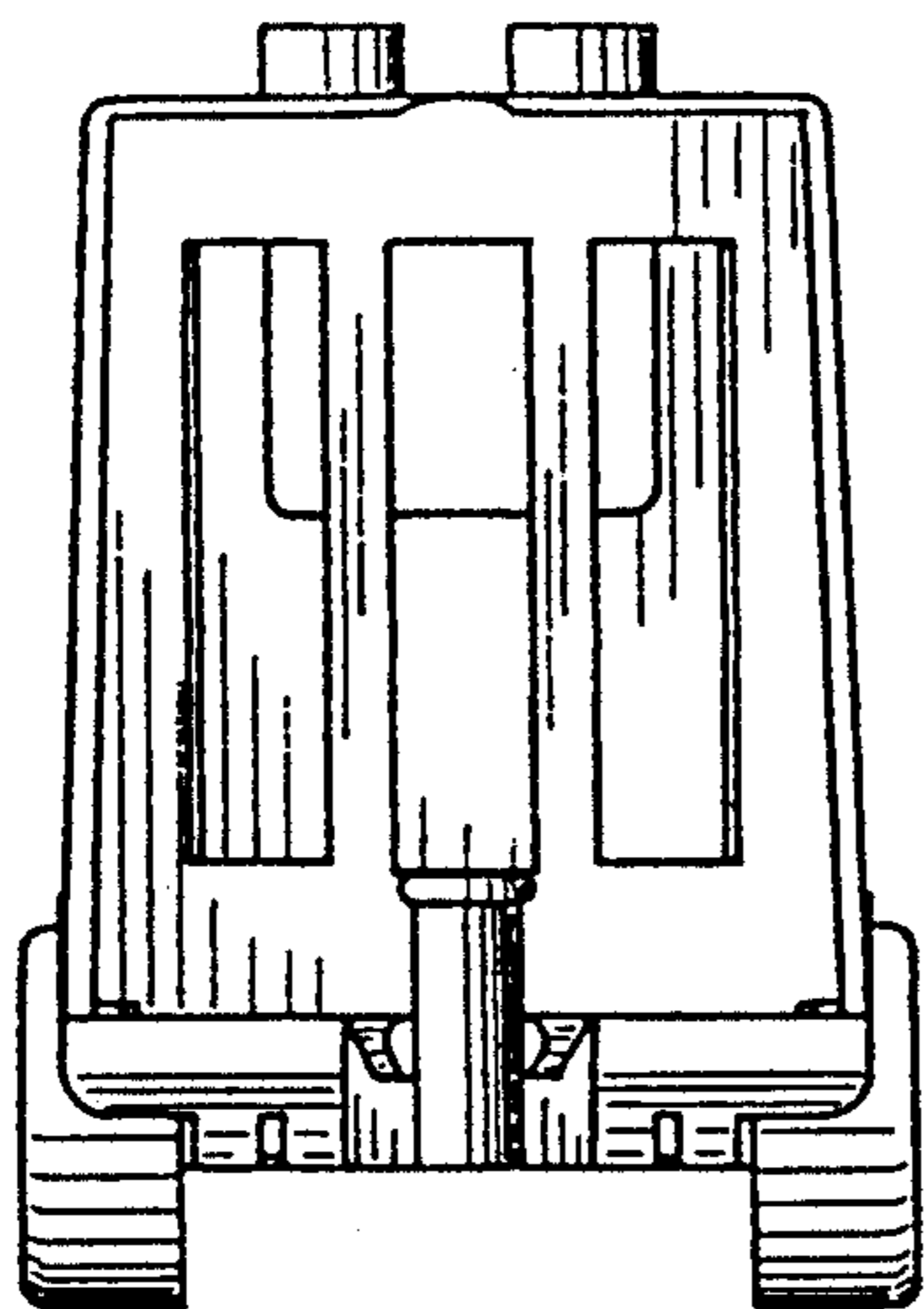


FIG. 5

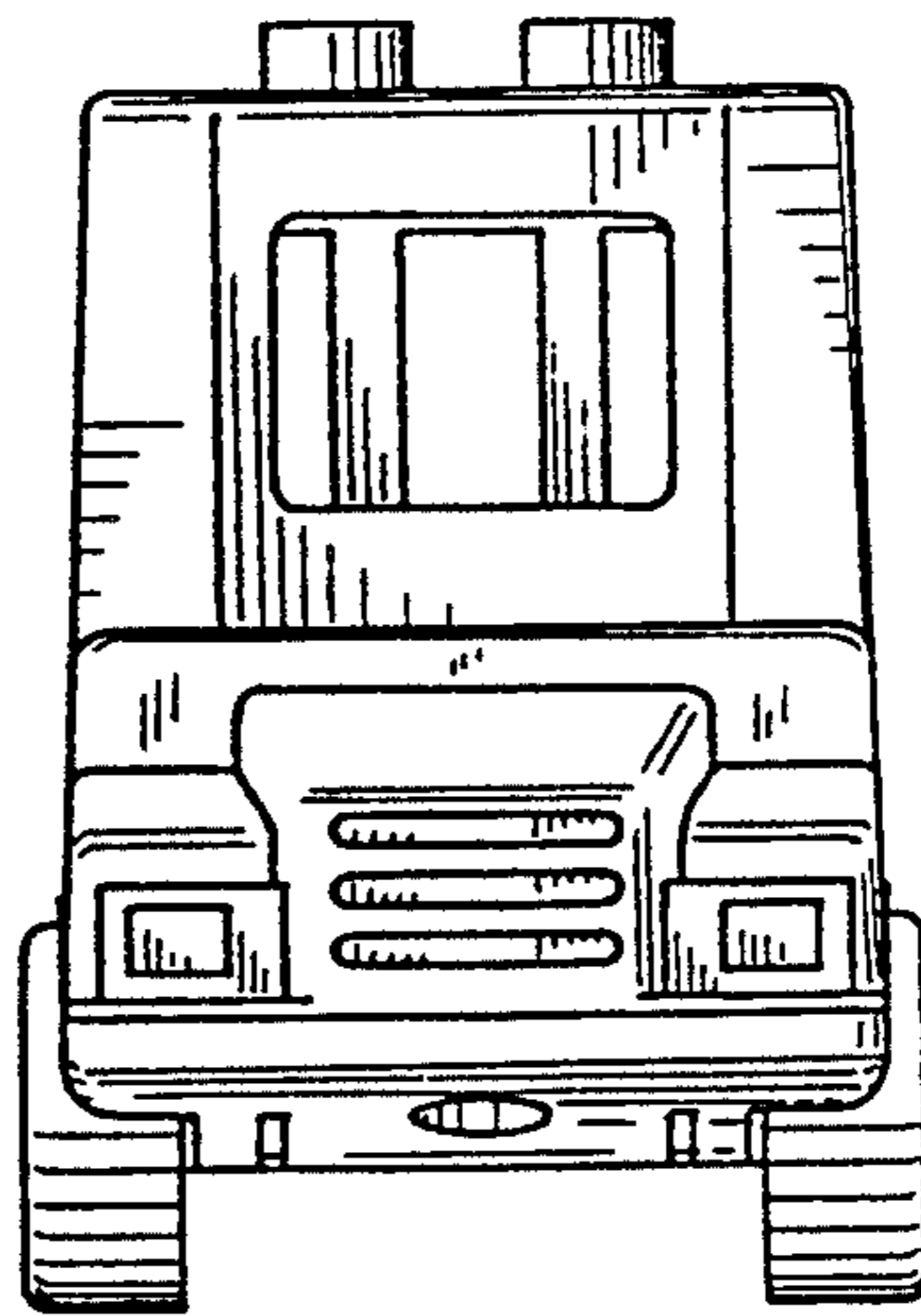


FIG. 3

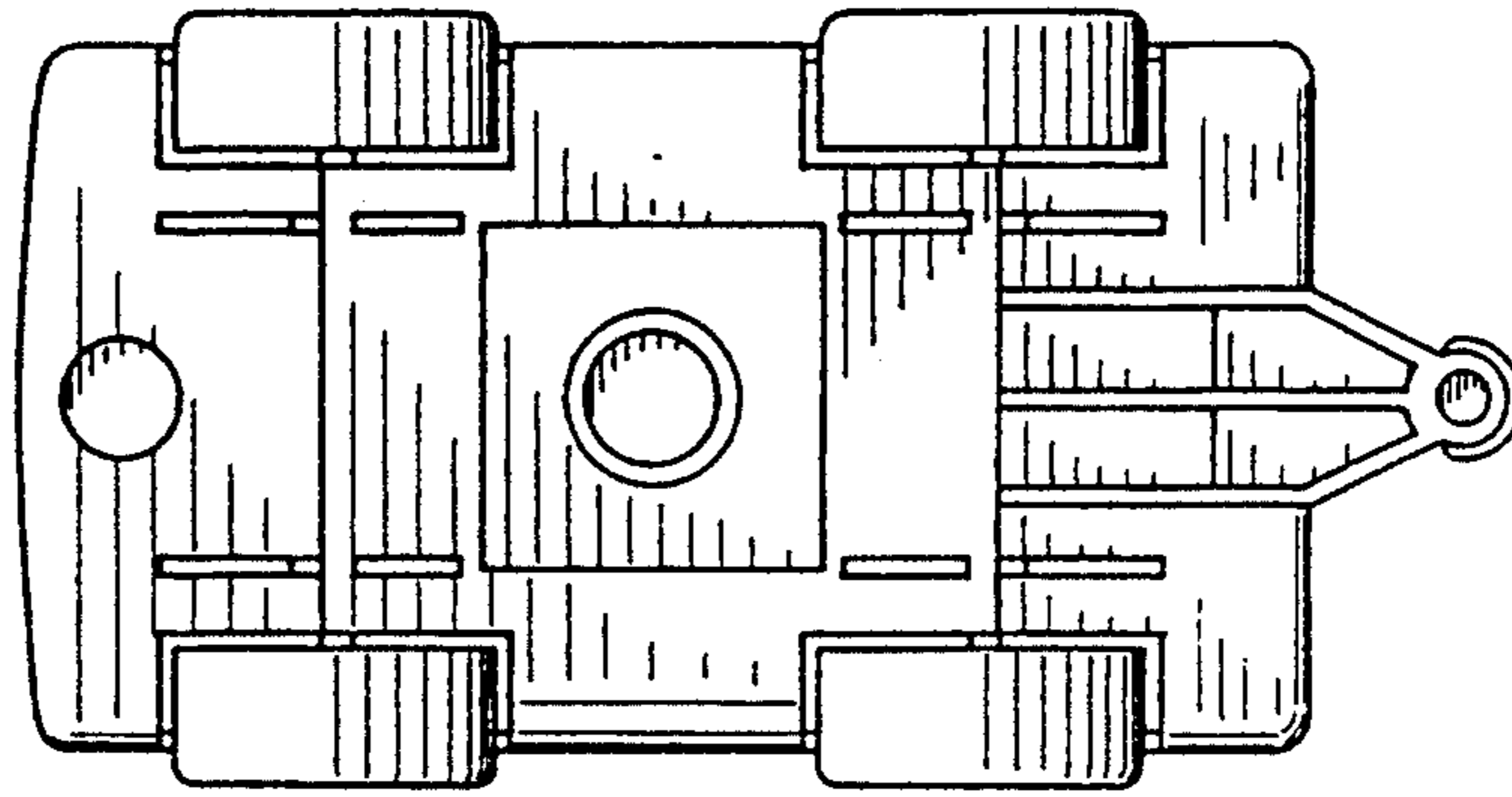


FIG. 7

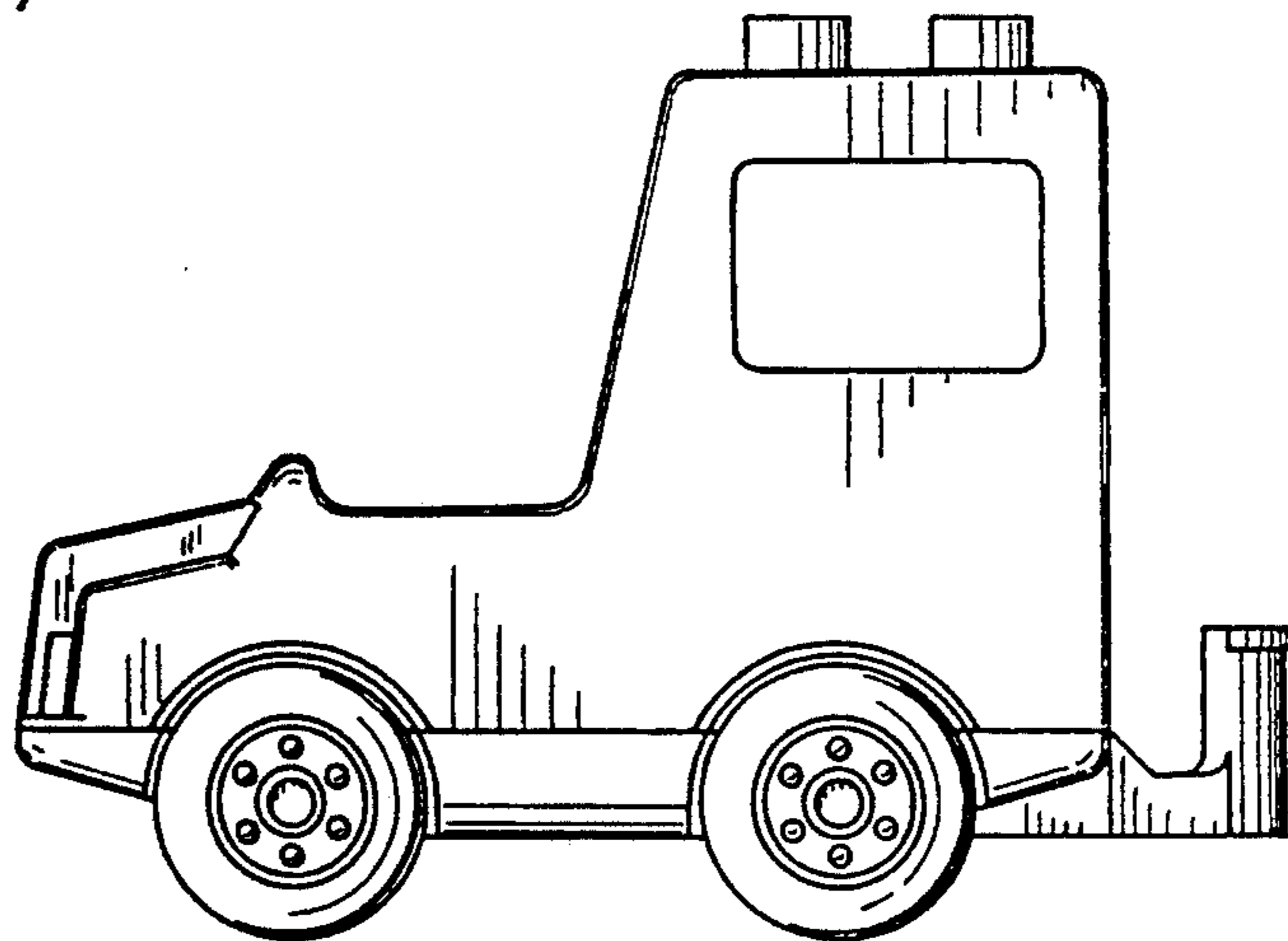


FIG. 4

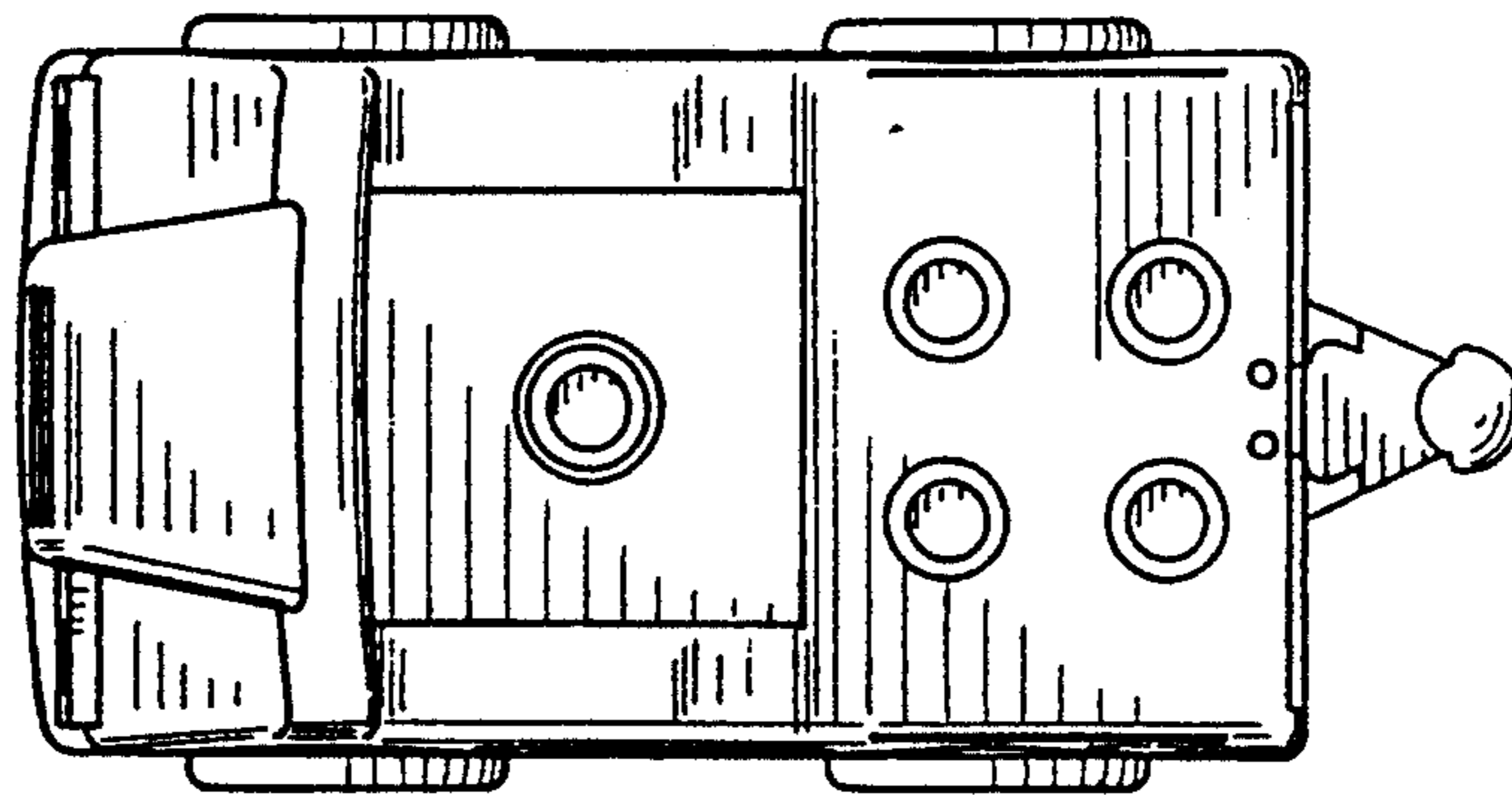


FIG. 6

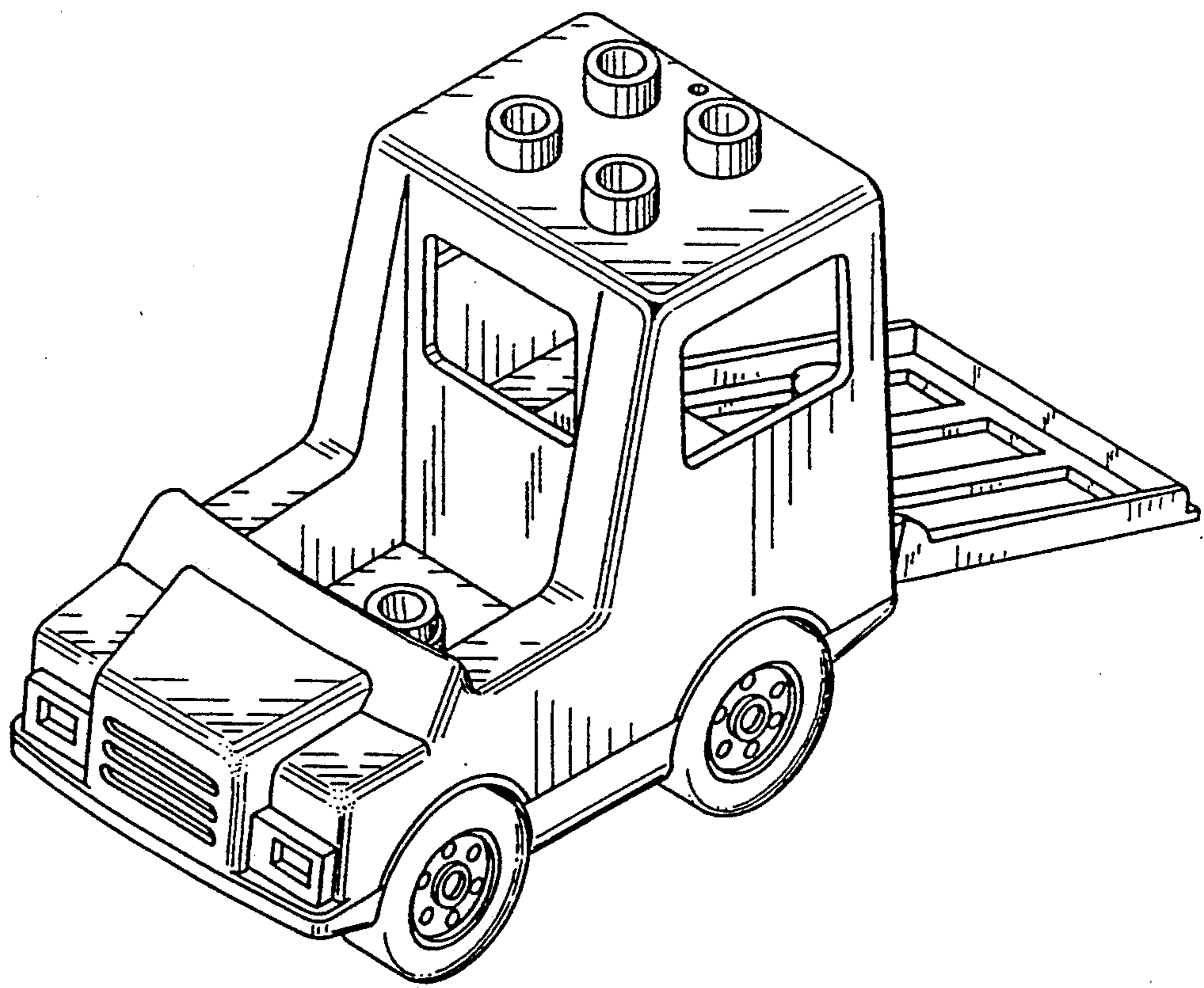


FIG. 8

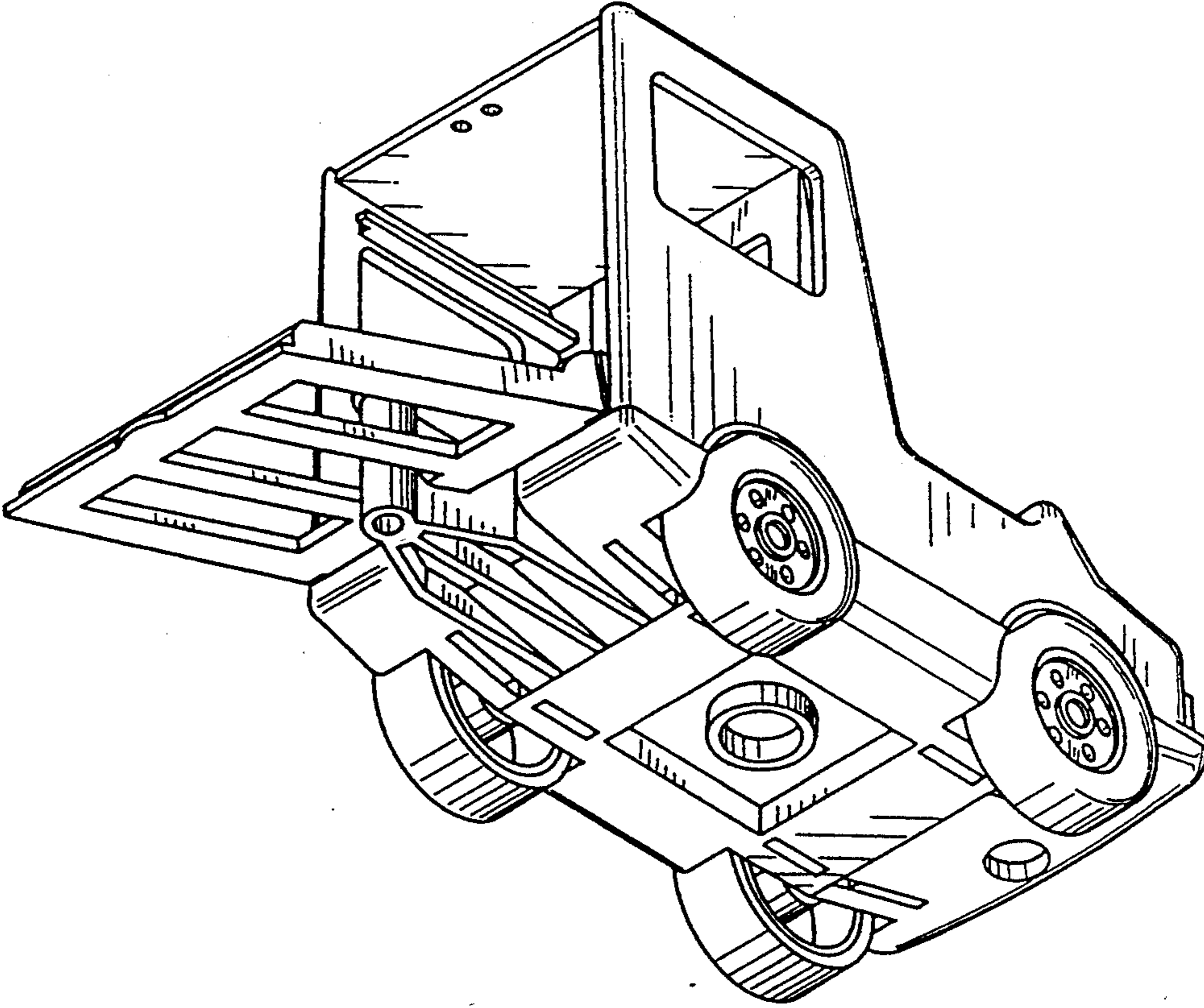


FIG. 9