

[54] TOY CONSTRUCTION PIECE SIMULATING A CHUTE

[75] Inventor: Flemming H. Olsen, Espergaerde, Denmark

[73] Assignee: Interlego AG, Switzerland

[\*\*] Term: 14 Years

[21] Appl.No.: 277,917

[22] Filed: Nov. 29, 1988

[52] U.S. Cl. .... D21/109

[58] Field of Search ..... D21/108, 109, 240, 242, D21/244; 272/56.5 R; 446/120, 122, 124, 125, 128

[56] References Cited

U.S. PATENT DOCUMENTS

- D. 273,503 4/1984 Mariol ..... D21/244
- D. 281,985 12/1985 Spirk, Jr. et al. .... D21/109
- D. 285,224 8/1986 Olsen ..... D21/108

- D. 285,325 8/1986 Berggreen ..... D21/108
- D. 304,042 10/1989 Poulsen ..... D21/108
- D. 309,641 7/1990 Olsen ..... D21/109

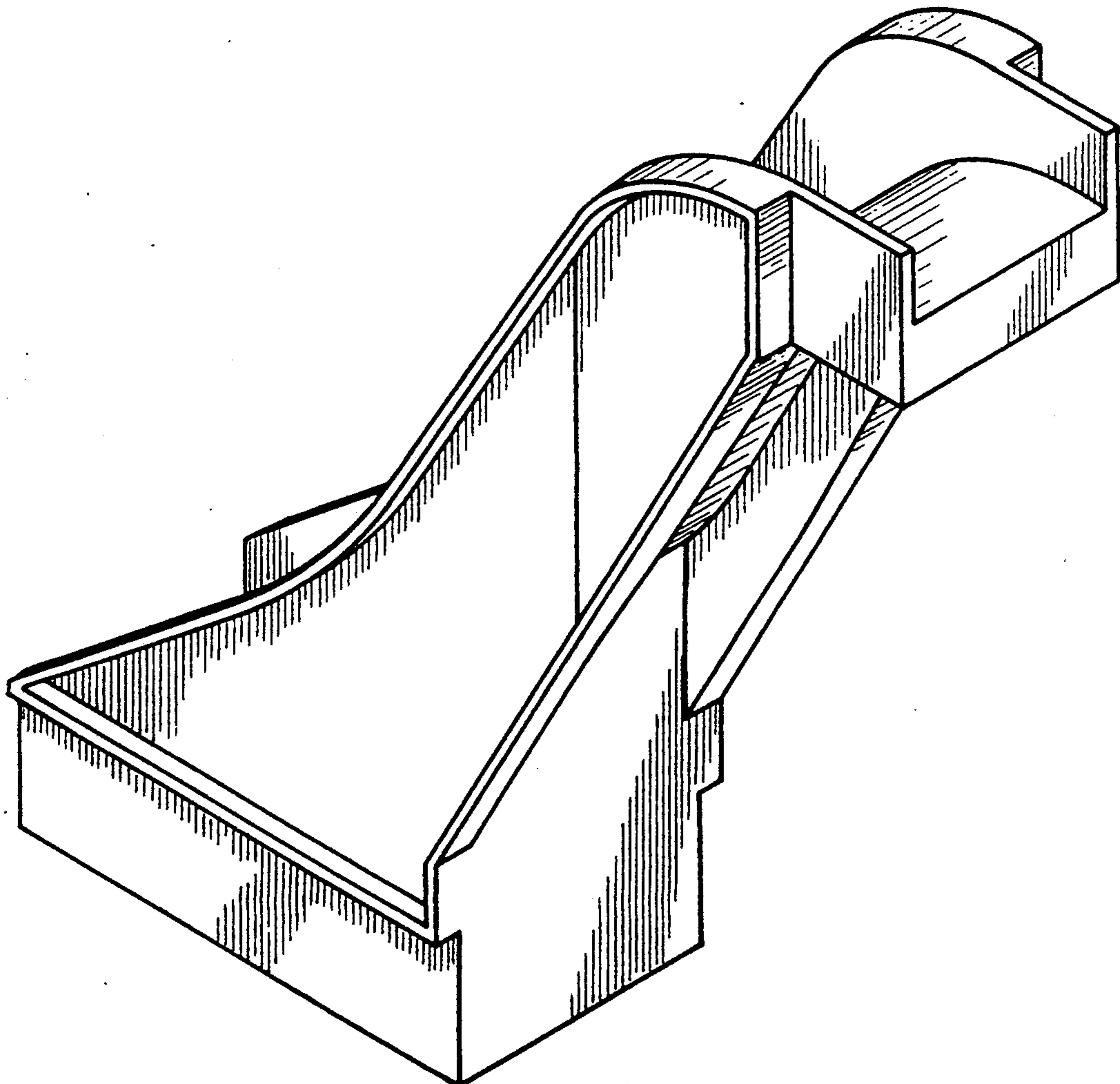
Primary Examiner—Melvin B. Feifer  
Assistant Examiner—Philip Hyder  
Attorney, Agent, or Firm—Kane, Dalsimer, Sullivan, Kurucz, Levy, Eisele and Richard

[57] CLAIM

The ornamental design for the toy construction piece simulating a chute, as shown and described.

DESCRIPTION

FIG. 1 is a top perspective view of a toy construction piece simulating a chute showing my new design; FIG. 2 is a bottom perspective view thereof; FIG. 3 is a front elevational view thereof; FIG. 4 is a rear elevational view thereof; FIG. 5 is a top plan view thereof; FIG. 6 is a bottom plan view thereof; FIG. 7 is a left side elevation view thereof, the opposite side being a mirror image.



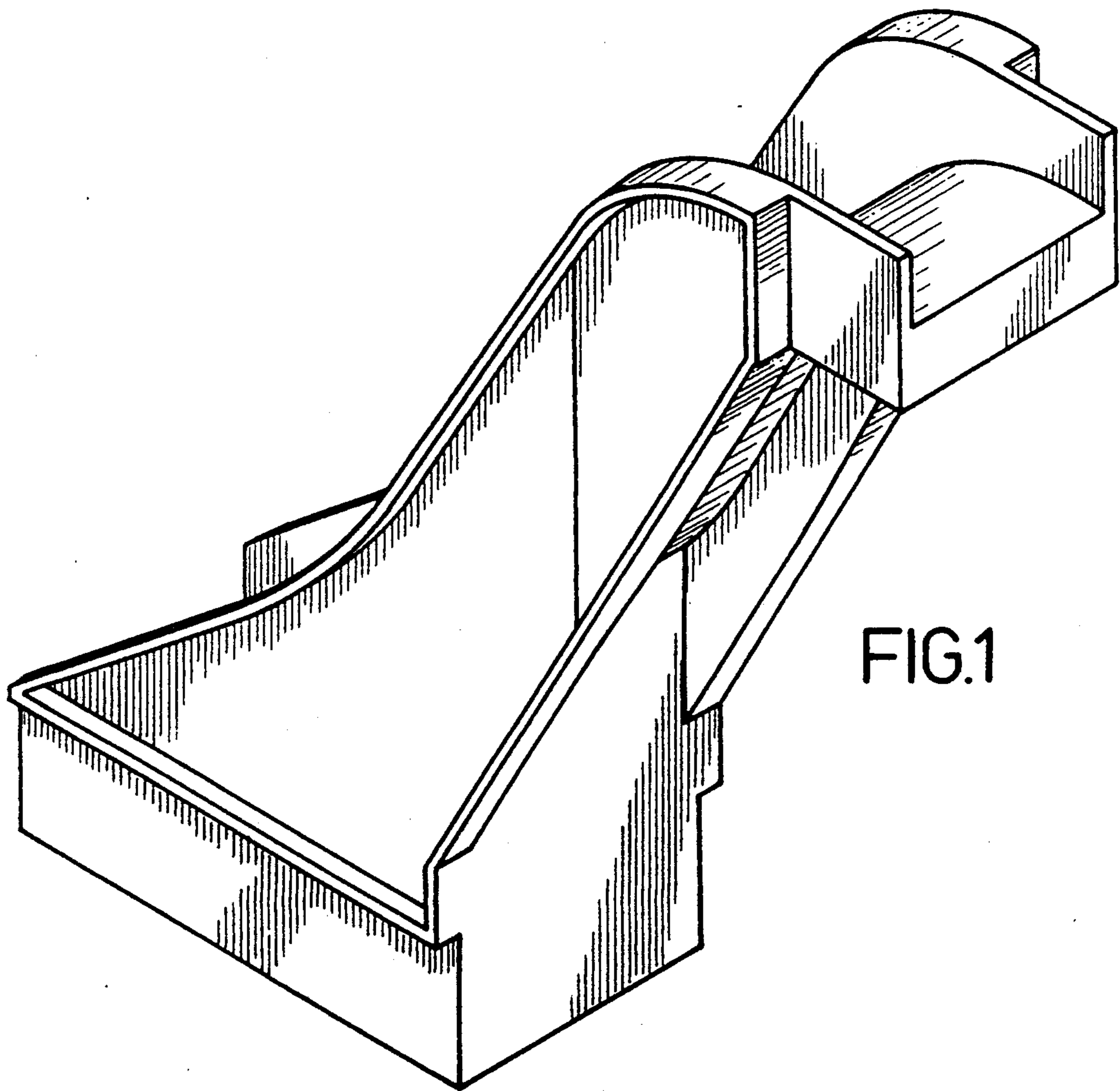


FIG. 1

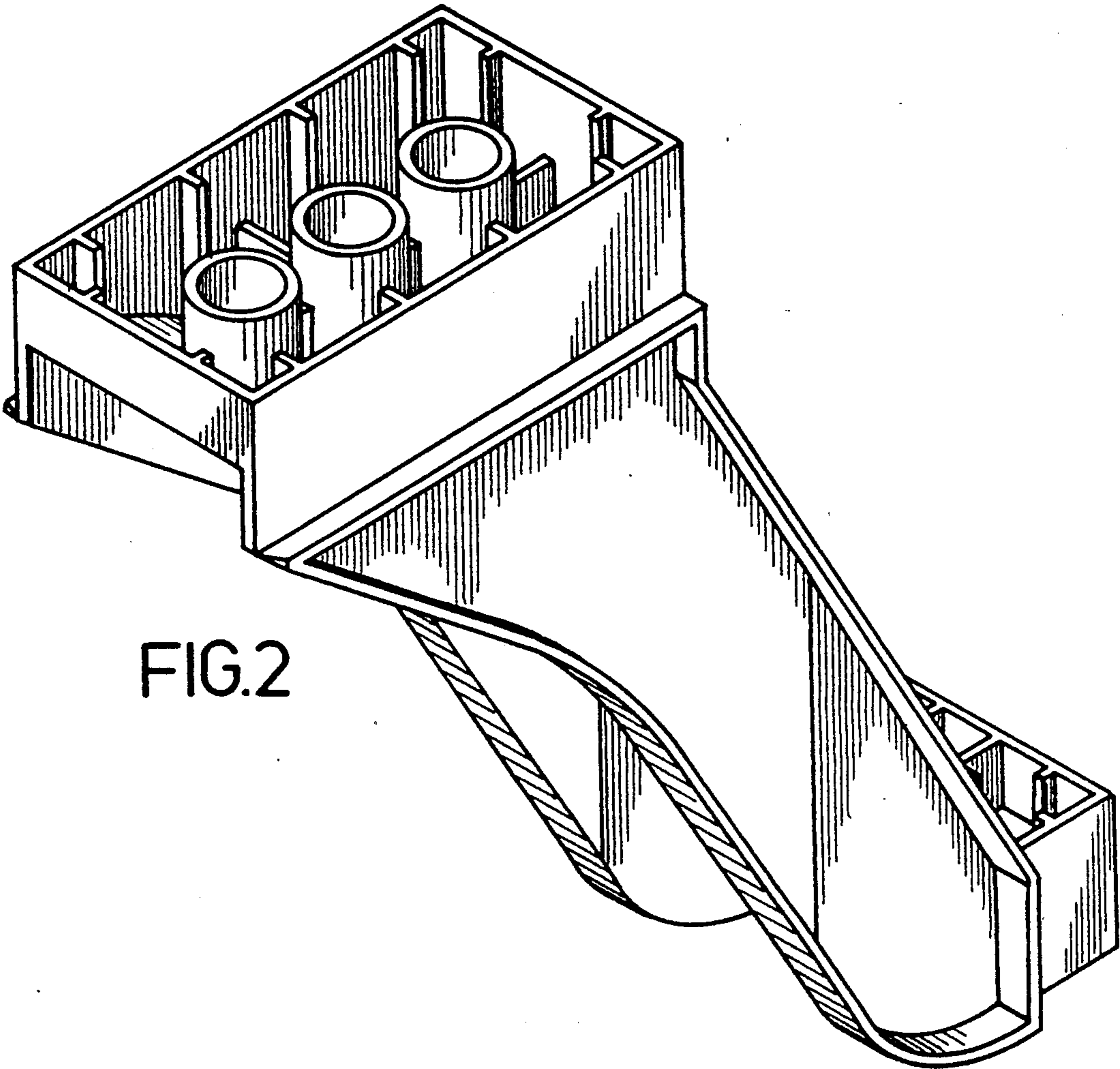


FIG.2

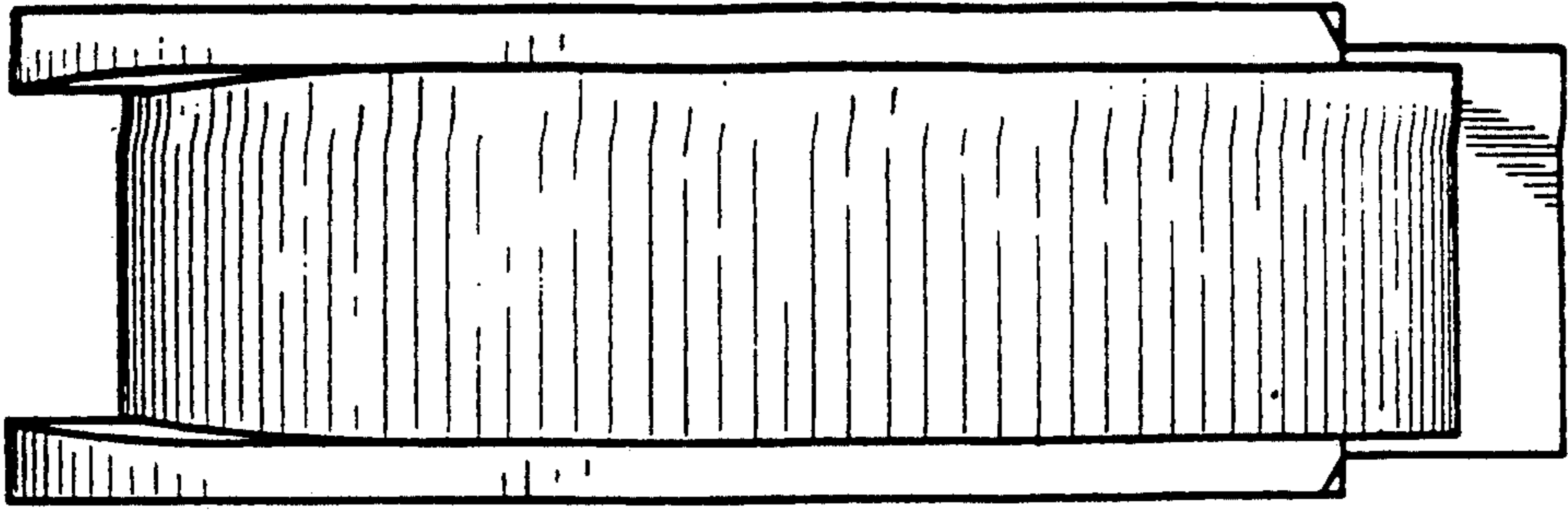


FIG.3

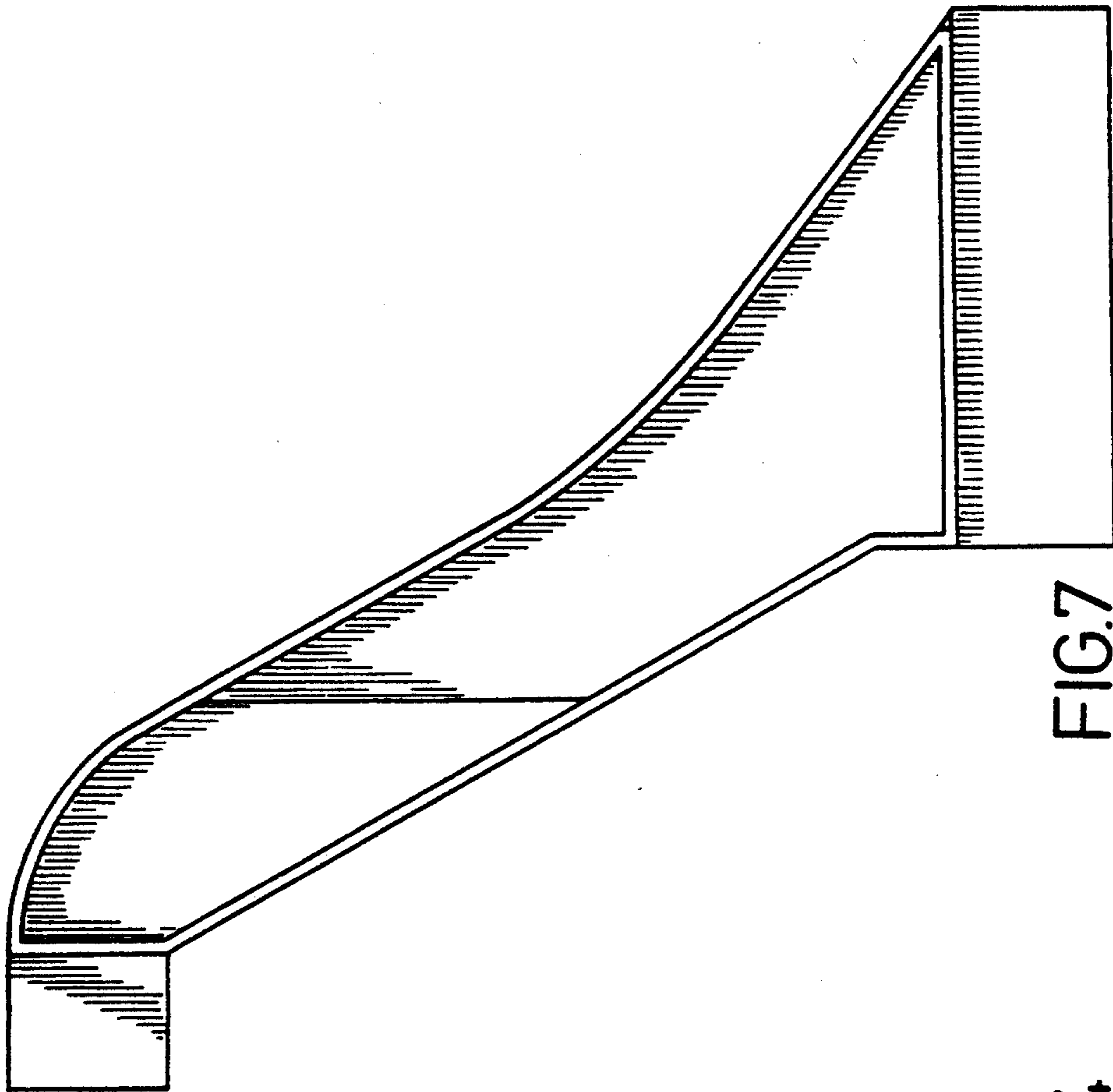


FIG.7

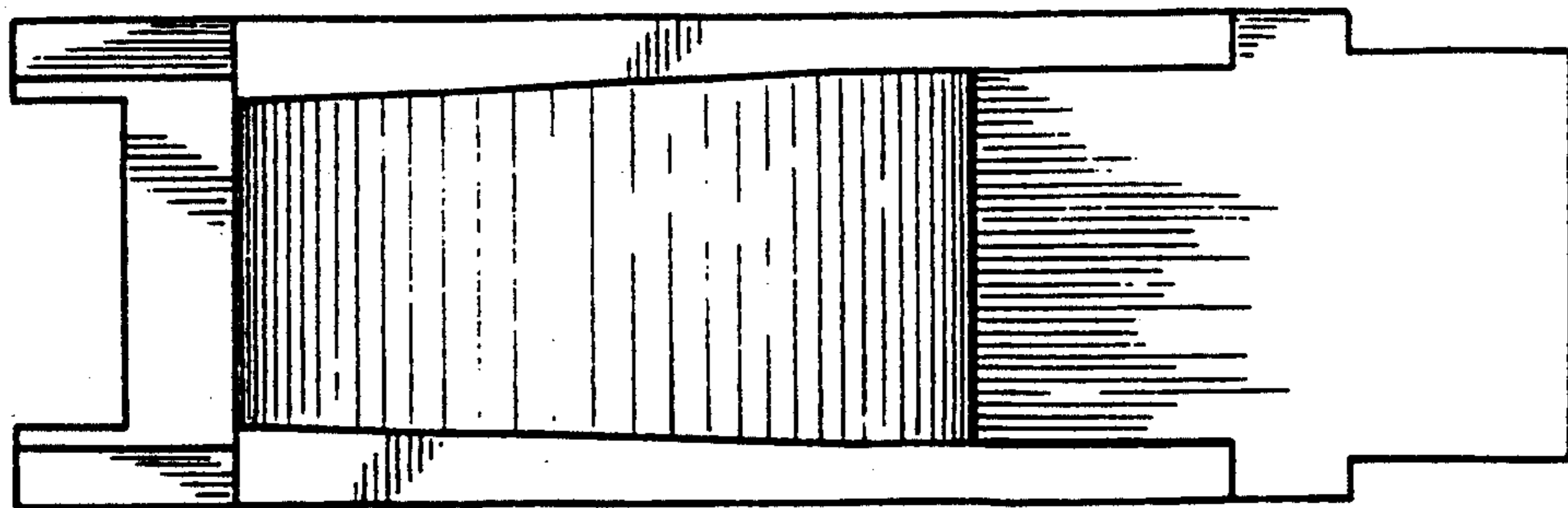


FIG.4

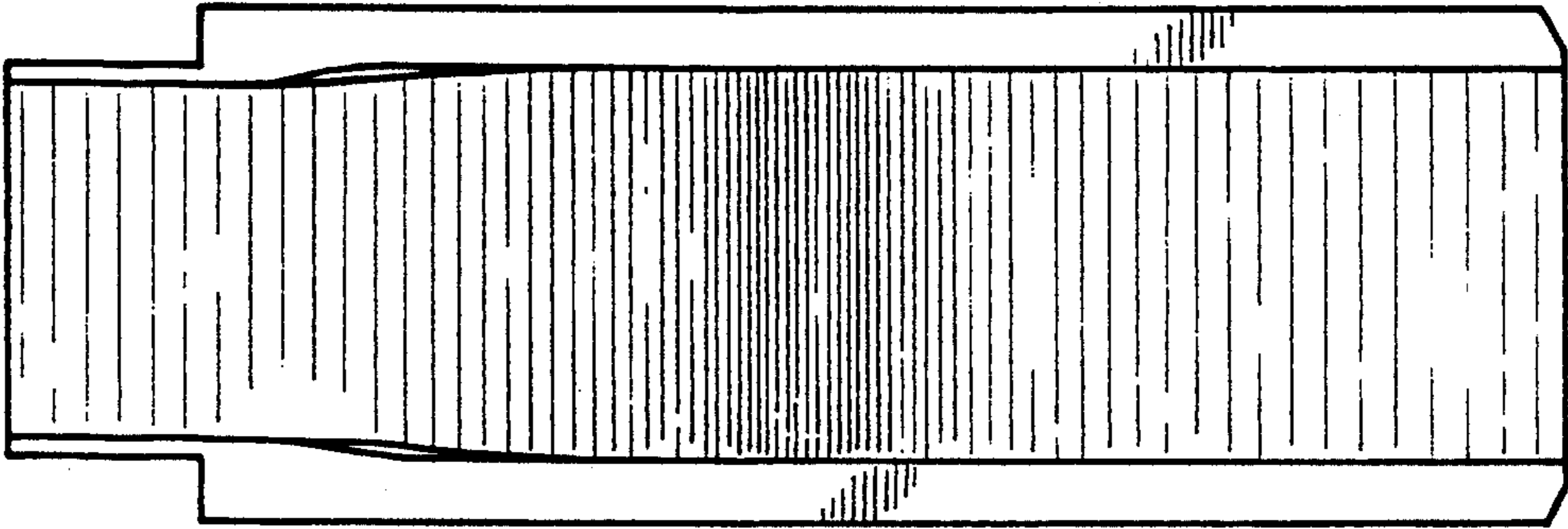


FIG.5

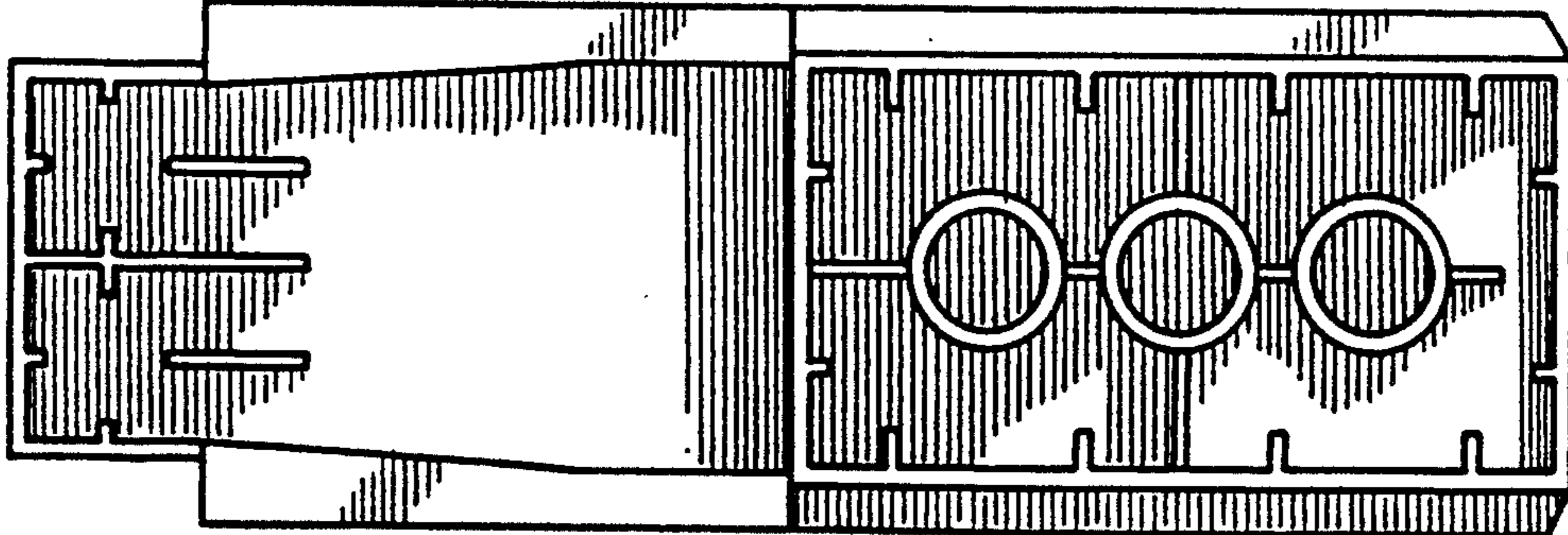


FIG.6