

[54] TOY BUILDING ELEMENT

[75] Inventor: Arne Refsing, Billund, Denmark

[73] Assignee: Interlego A.G., Switzerland

[**] Term: 14 Years

[21] Appl. No.: 442,927

[22] Filed: Nov. 29, 1989

[52] U.S. Cl. D21/108

[58] Field of Search D21/59, 108, 109, 124, D21/141; 446/85, 102, 103, 105, 118, 121, 124, 126, 128

D. 304,046 10/1989 Knudsen D21/108
D. 304,468 11/1989 Dideriksen D21/108

Primary Examiner—Charles A. Rademaker
Assistant Examiner—R. Barkai
Attorney, Agent, or Firm—Kane Dalsimer Sullivan
Kurucz Levy Eisele & Richard

[57] CLAIM

The ornamental design for a toy building element, as shown and described.

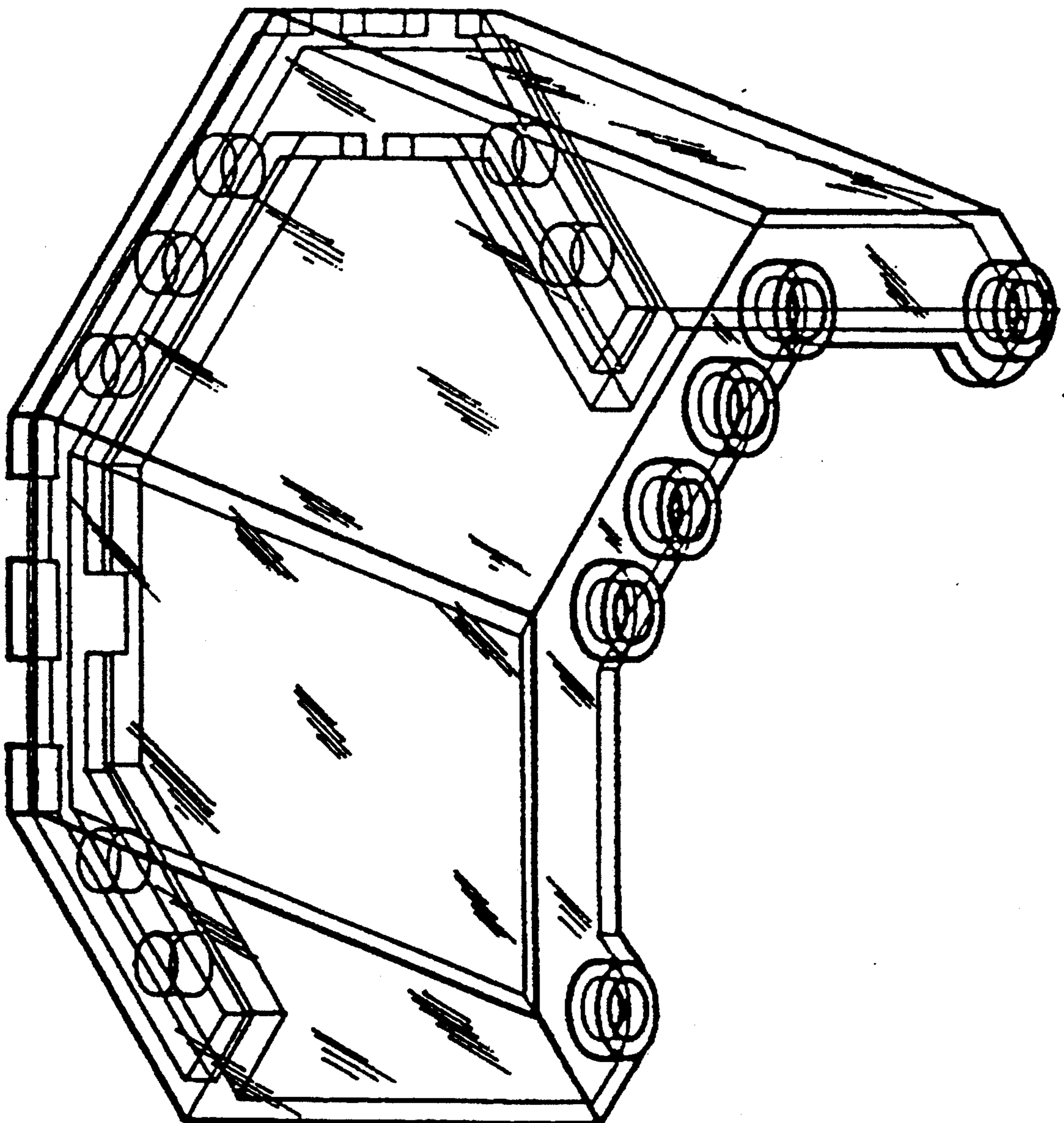
DESCRIPTION

FIG. 1 is a top perspective view of a toy building element showing my new design;
FIG. 2 is a bottom perspective view thereof;
FIG. 3 is a front elevational view thereof;
FIG. 4 is a side elevational view thereof, the side opposite being identical;
FIG. 5 is a rear elevational view thereof;
FIG. 6 is a top plan view thereof; and,
FIG. 7 is a bottom plan view thereof.

[56] References Cited

U.S. PATENT DOCUMENTS

- D. 285,101 8/1986 Nakata D21/108
- D. 295,541 5/1988 Knudsen D21/108
- D. 295,645 5/1988 Knudsen D21/108
- D. 295,647 5/1988 Knudsen D21/108
- D. 295,648 5/1988 Knudsen D21/108



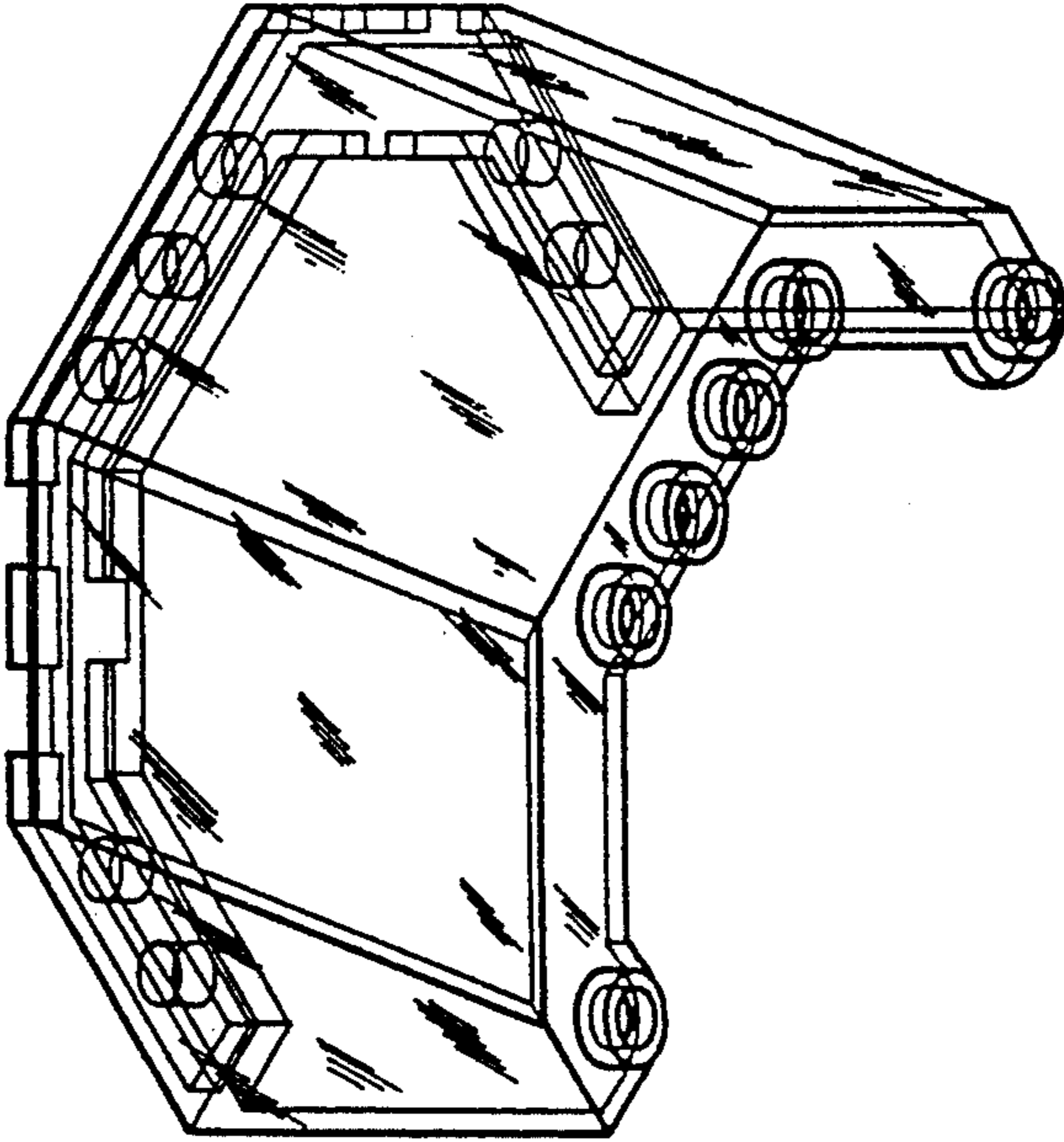


FIG. 1

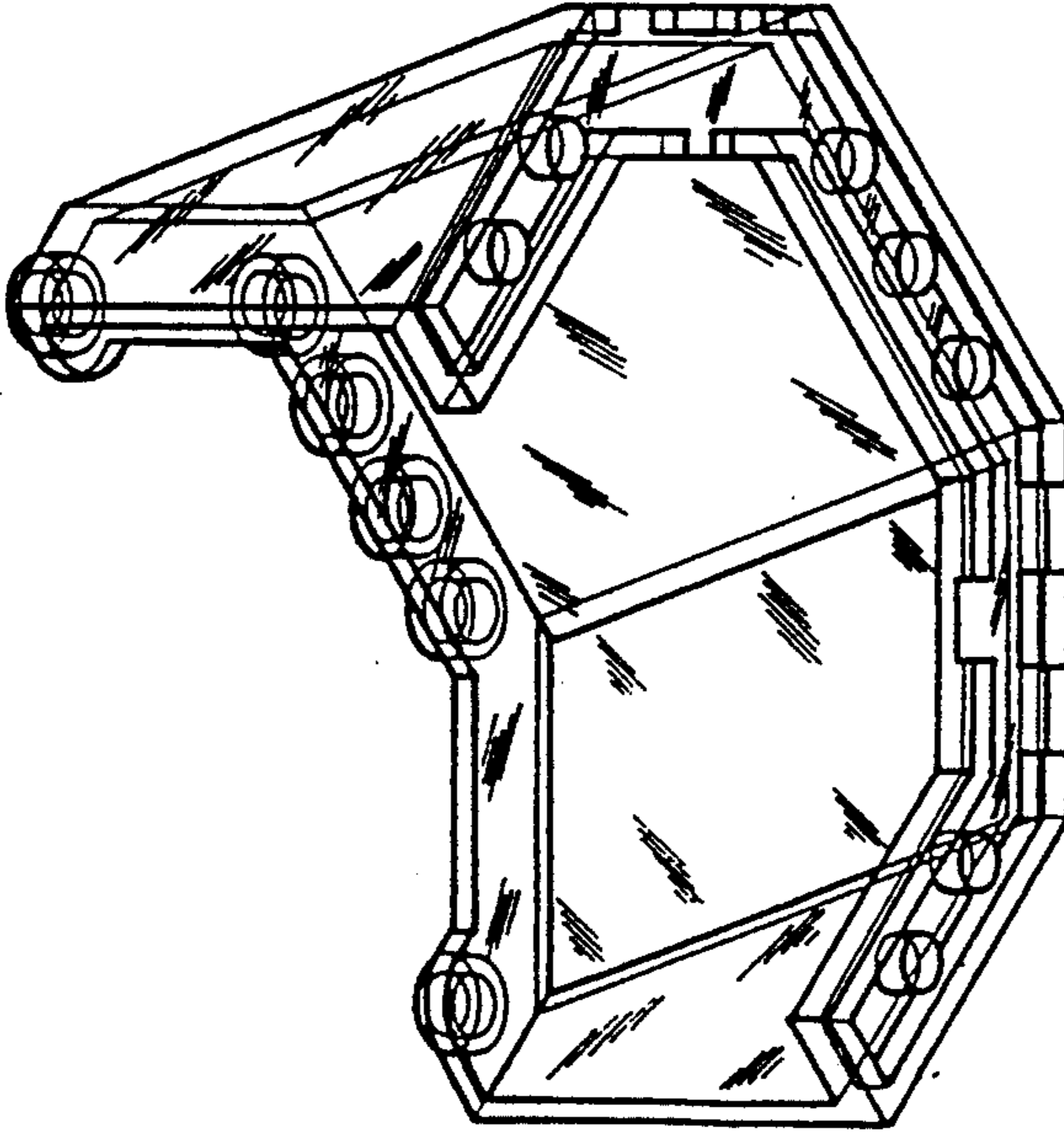


FIG. 2

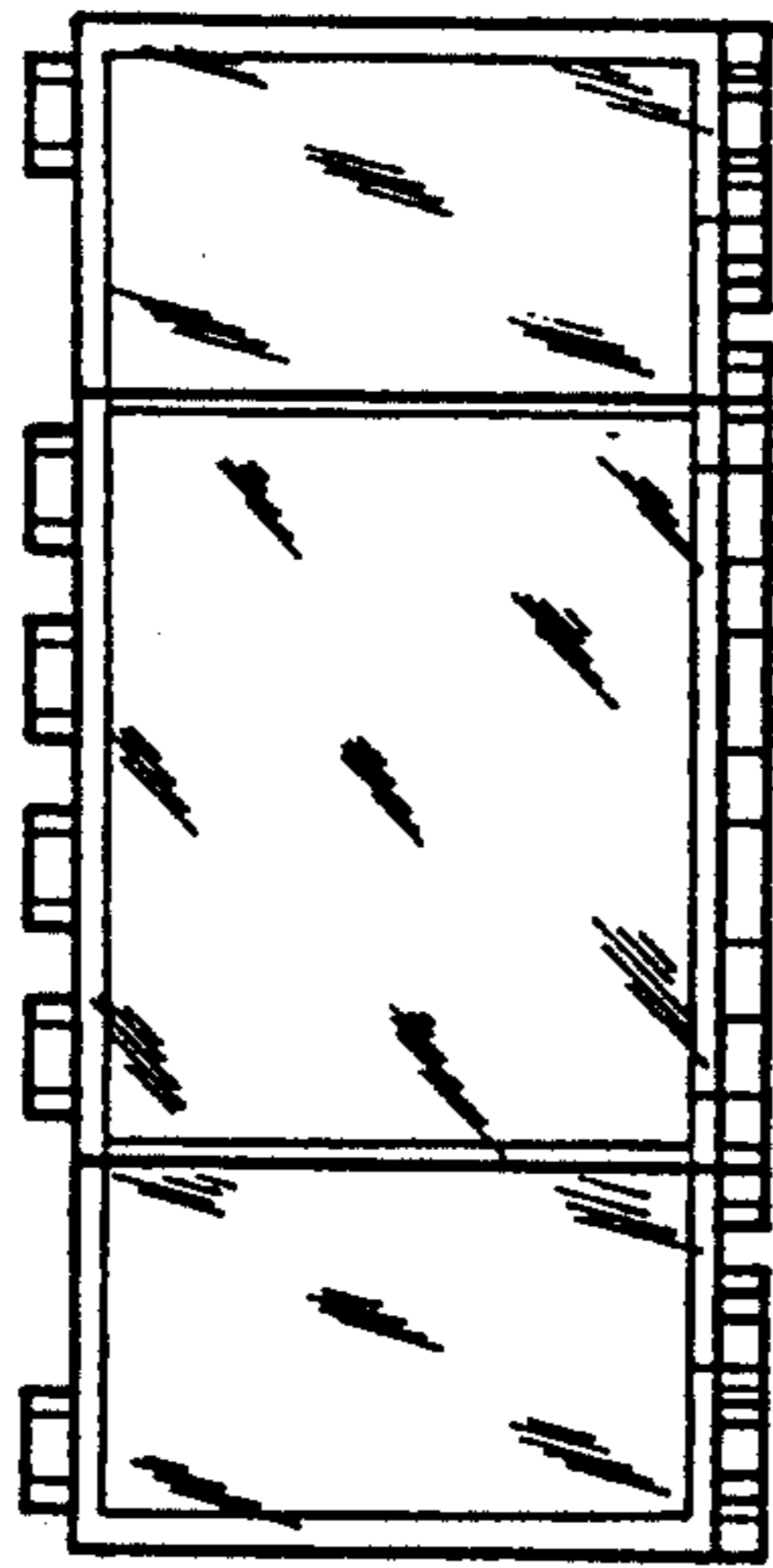


FIG. 3

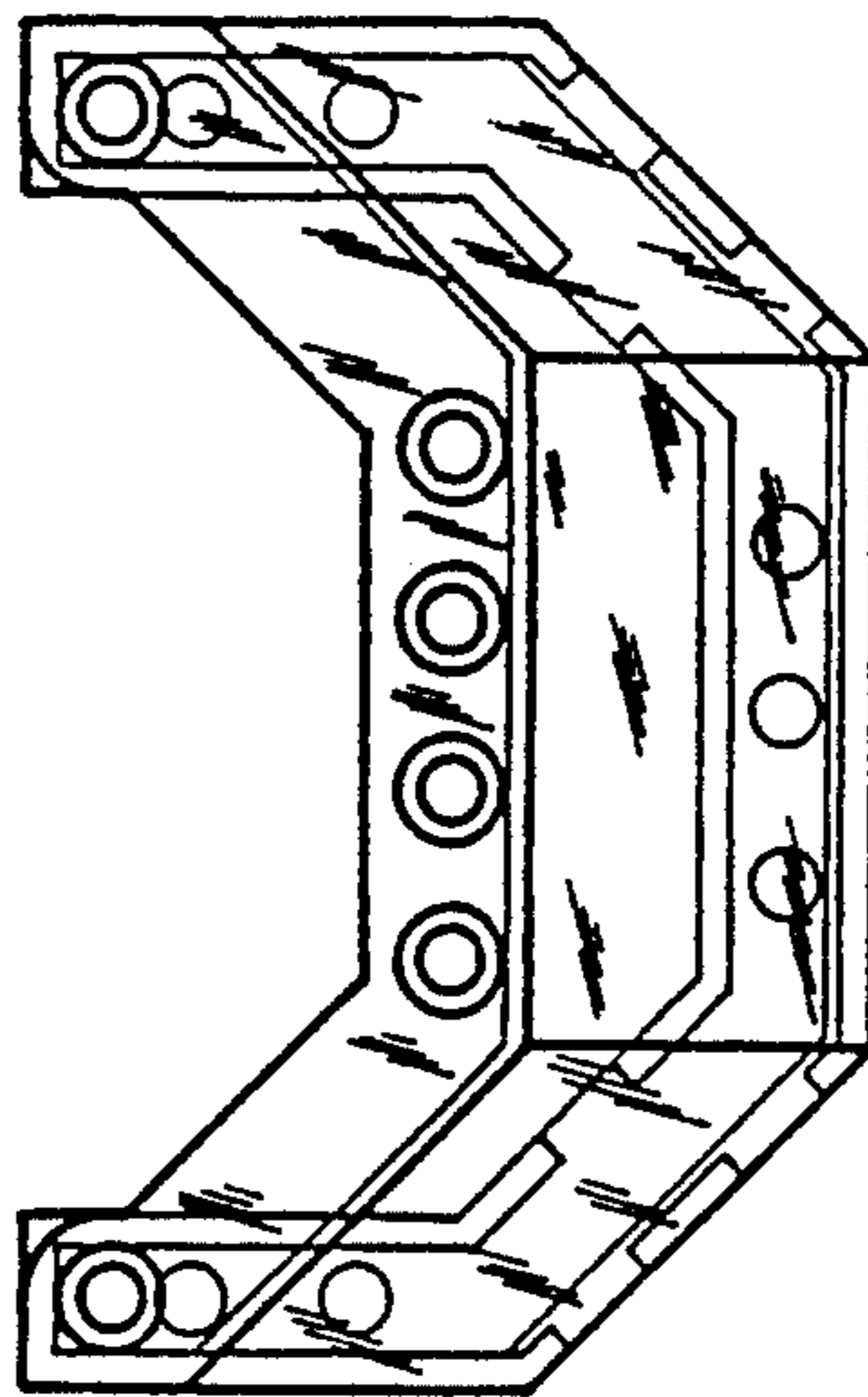


FIG. 6

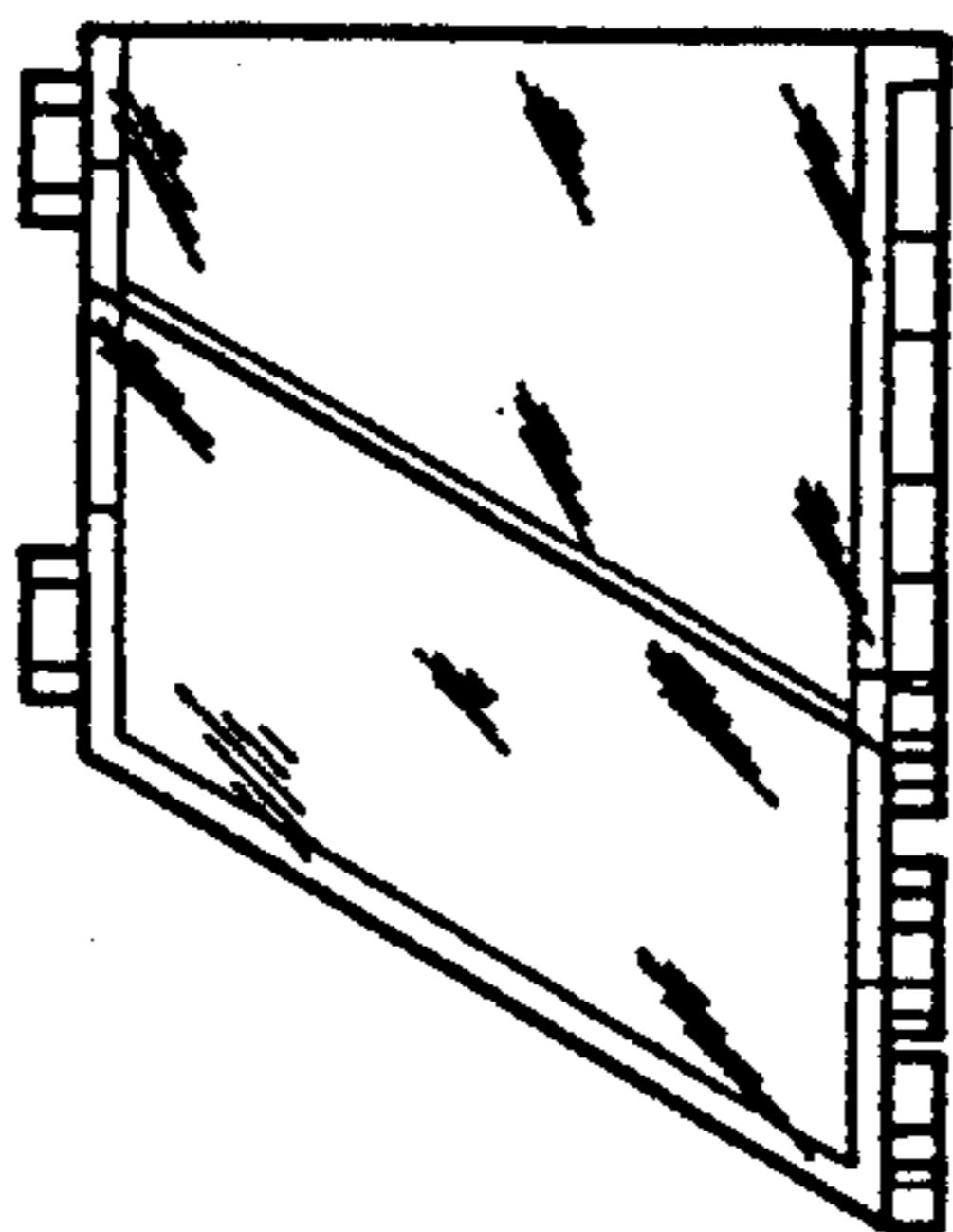


FIG. 4

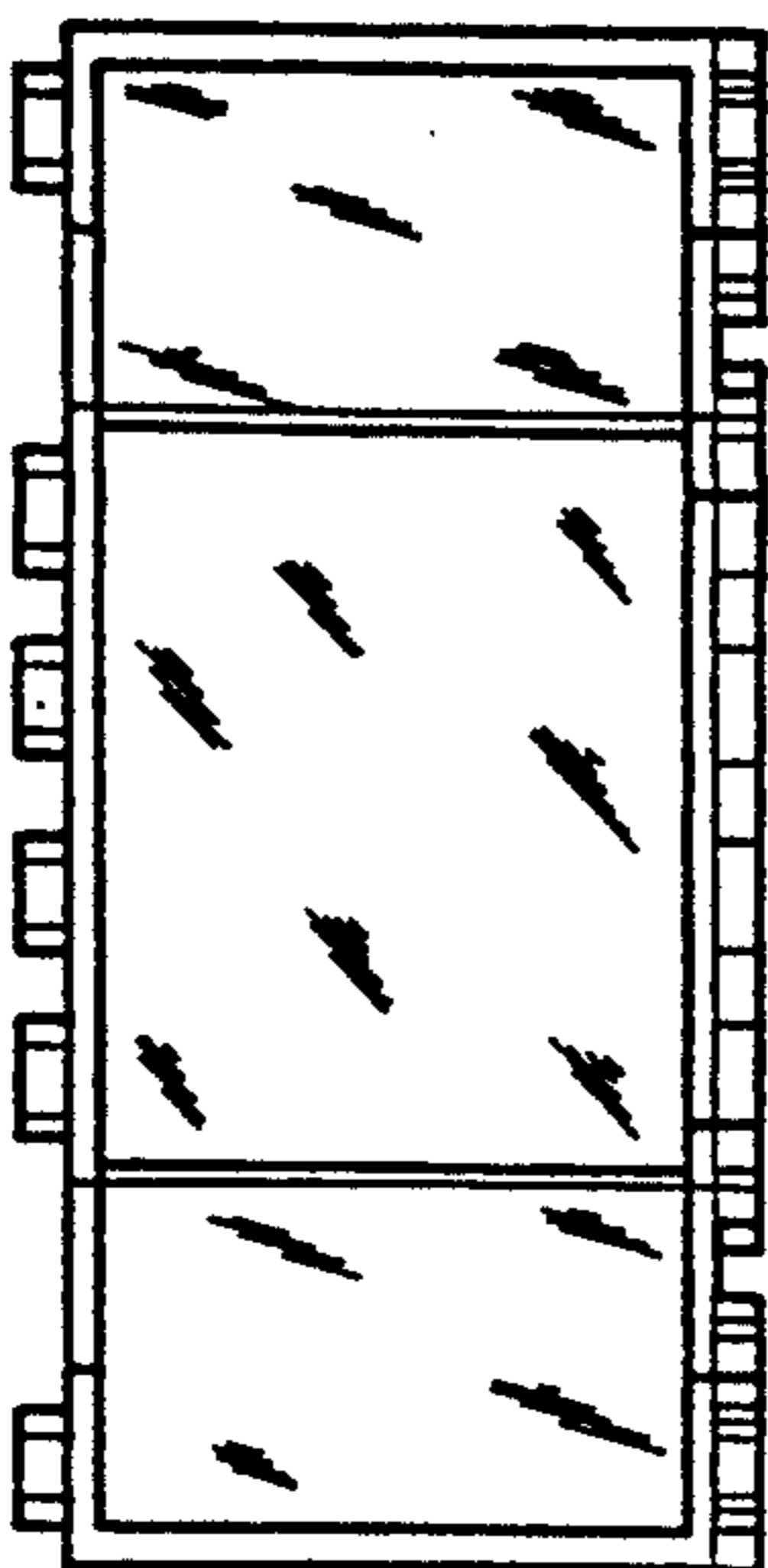


FIG. 5

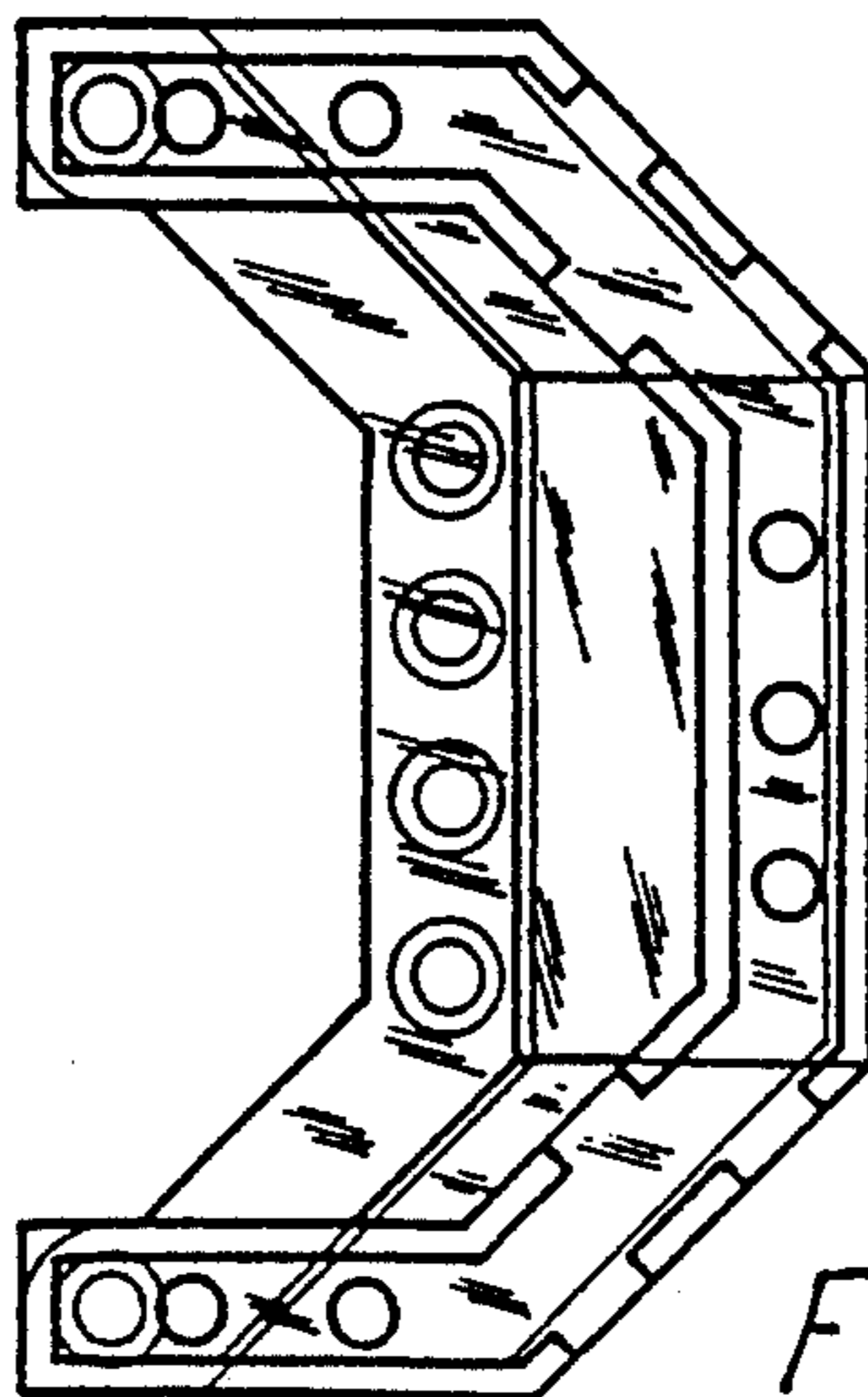


FIG. 7