

[54] **TOY TREE ELEMENT**

[75] **Inventor:** Flemming H. Olsen, Espergaerde, Denmark

[73] **Assignee:** Interlego A.G., Switzerland

[\*\*] **Term:** 14 Years

[21] **Appl. No.:** 442,926

[22] **Filed:** Nov. 29, 1989

[52] **U.S. Cl. .... D21/108**

[58] **Field of Search .... D21/59, 108, 109, 124, D21/141; D11/64; 446/85, 102, 103, 105, 118, 121, 124, 126, 128**

[56] **References Cited**

**U.S. PATENT DOCUMENTS**

D. 230,291	2/1974	Derrick et al. ....	D21/59
D. 233,680	11/1974	Christiansen .....	D21/108
D. 279,915	7/1985	Pibet .....	D21/108
D. 309,639	7/1990	Knudsen .....	D21/108
D. 309,640	7/1990	Knudsen .....	D21/108
4,318,945	3/1982	Goldman et al. ....	446/102

**FOREIGN PATENT DOCUMENTS**

1285374	12/1968	Fed. Rep. of Germany .....	446/124
679246	7/1929	France .....	446/128
76324	8/1961	France .....	446/118

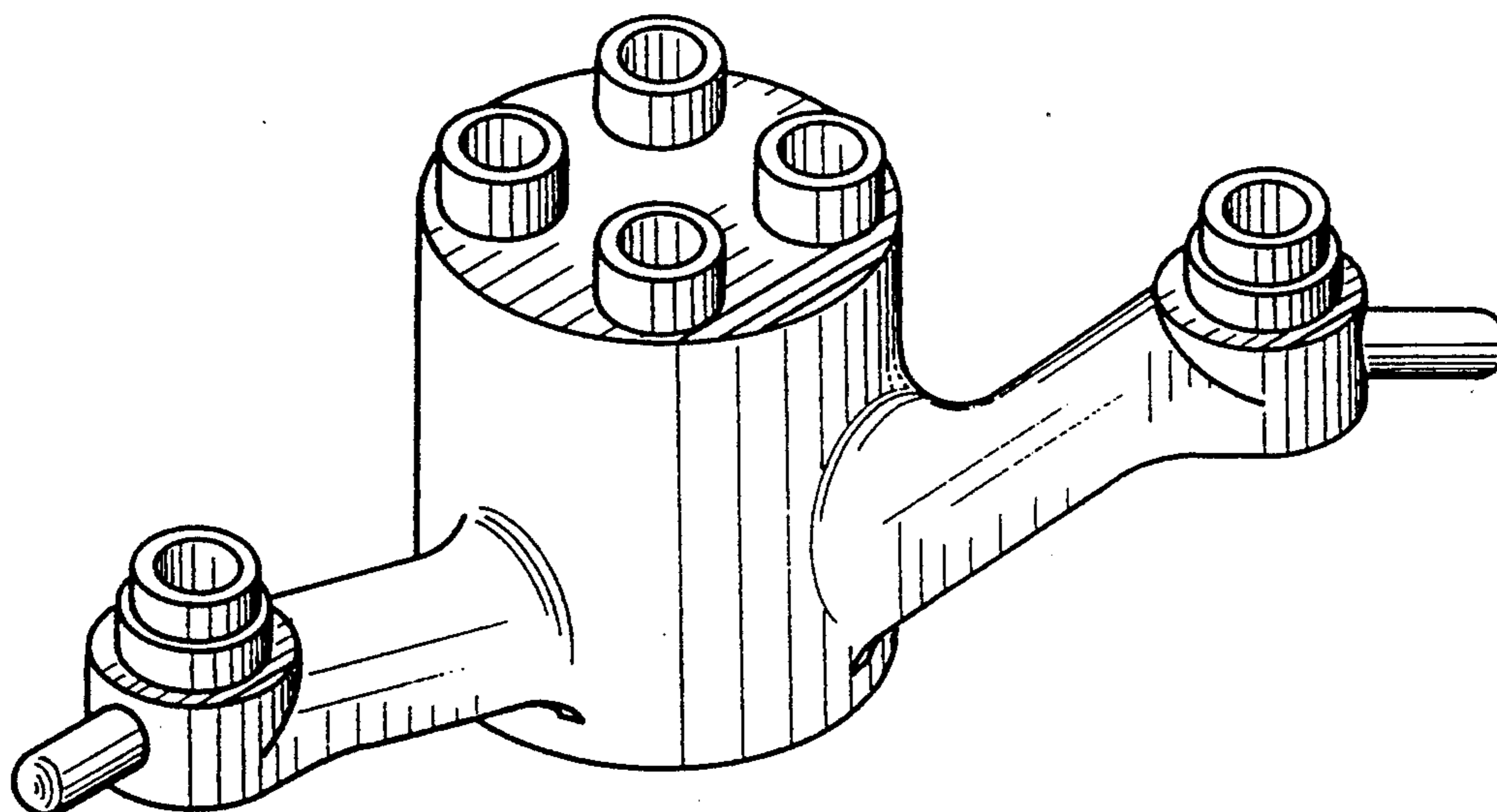
*Primary Examiner*—Charles A. Rademaker  
*Assistant Examiner*—R. Barkai  
*Attorney, Agent, or Firm*—Kane Dalsimer Sullivan  
Kurucz Levy Eisele & Richard

[57] **CLAIM**

The ornamental design for a toy tree element, as shown and described.

**DESCRIPTION**

FIG. 1 is a top perspective view of a toy tree element showing my new design;  
FIG. 2 is a bottom perspective view thereof;  
FIG. 3 is a left side elevational view thereof;  
FIG. 4 is a front elevational view thereof;  
FIG. 5 is a right side elevational view thereof;  
FIG. 6 is a rear elevational view thereof;  
FIG. 7 is a top plan view thereof; and,  
FIG. 8 is a bottom plan view thereof.



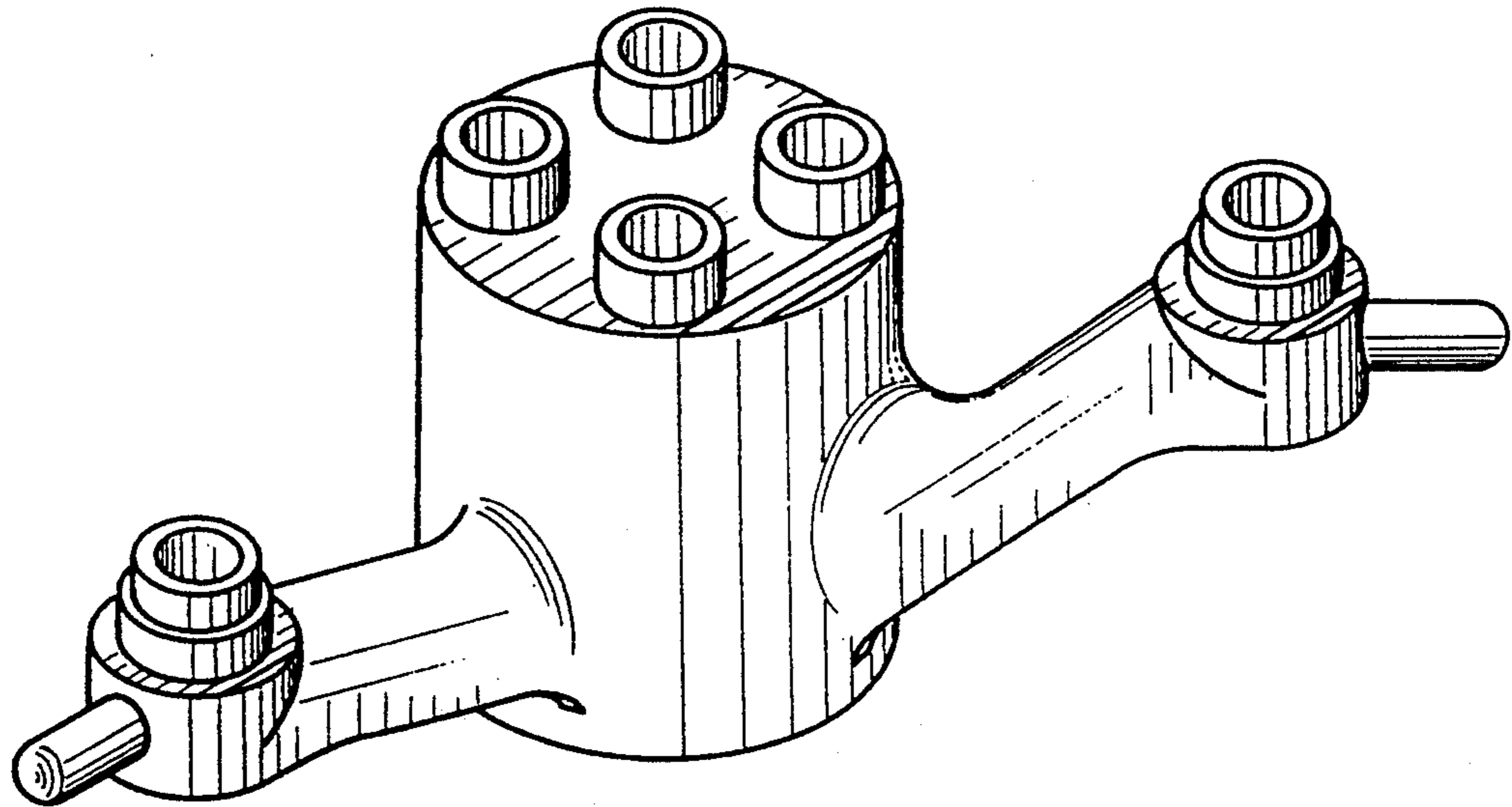


FIG. 1

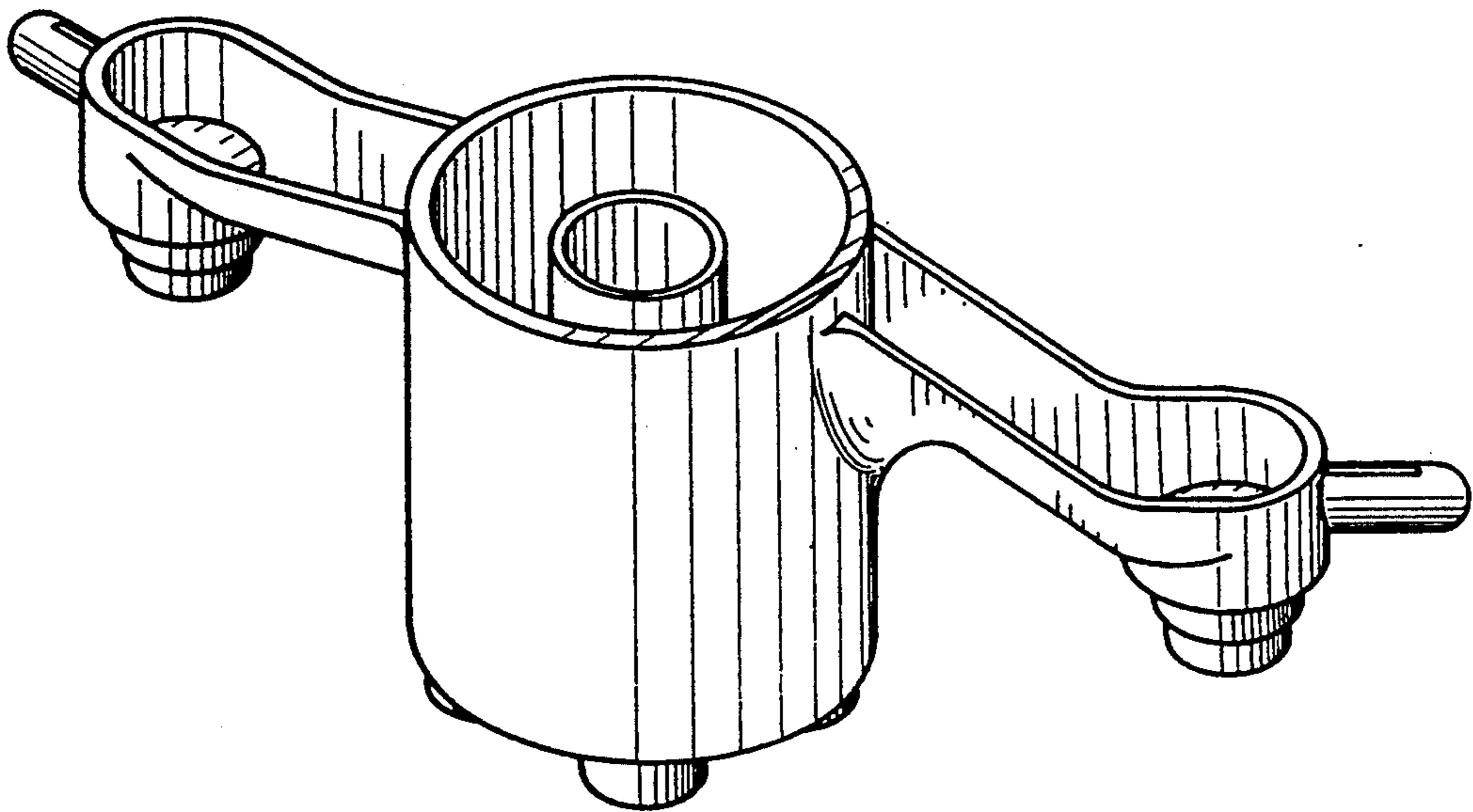


FIG. 2

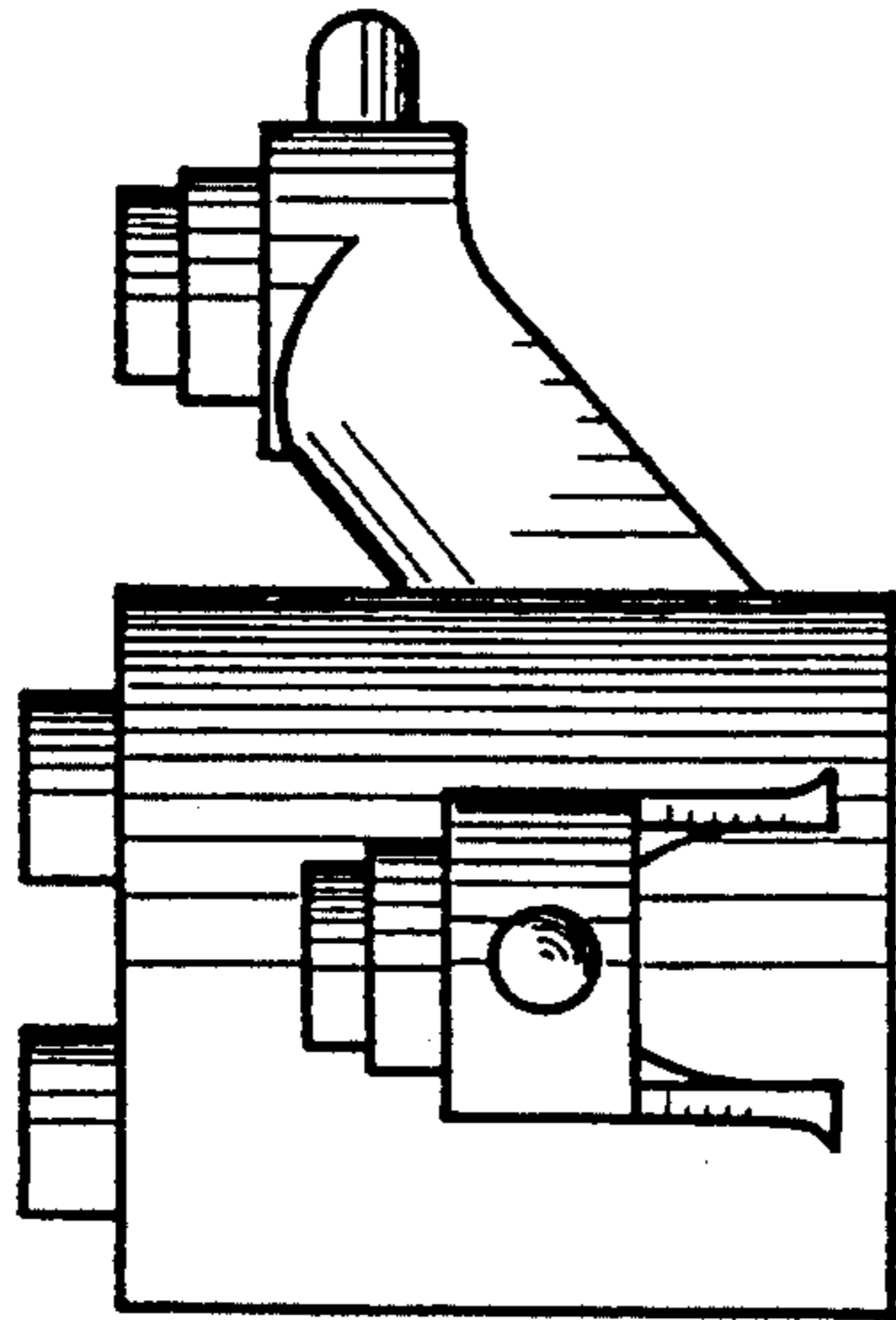


FIG. 5

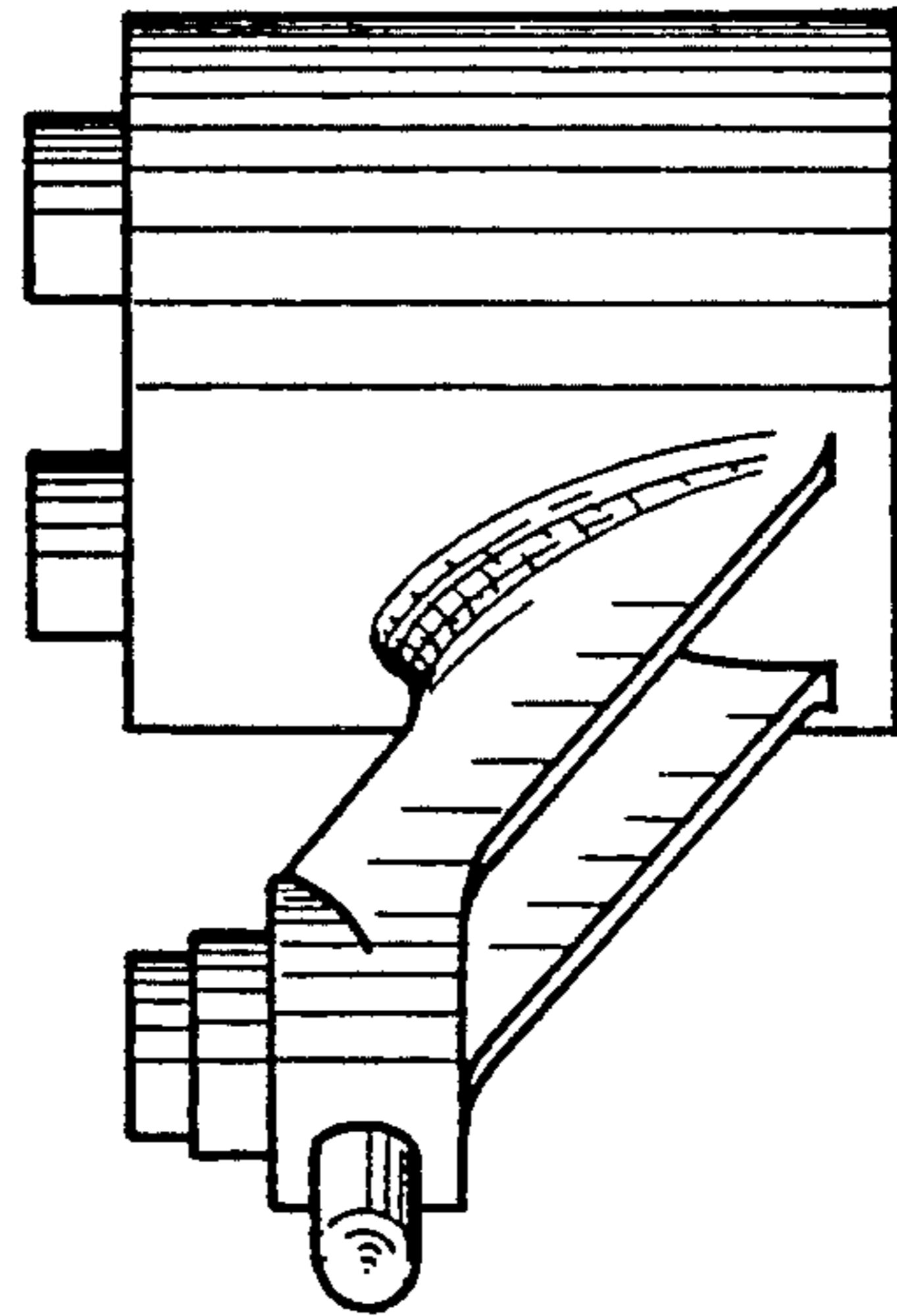


FIG. 3

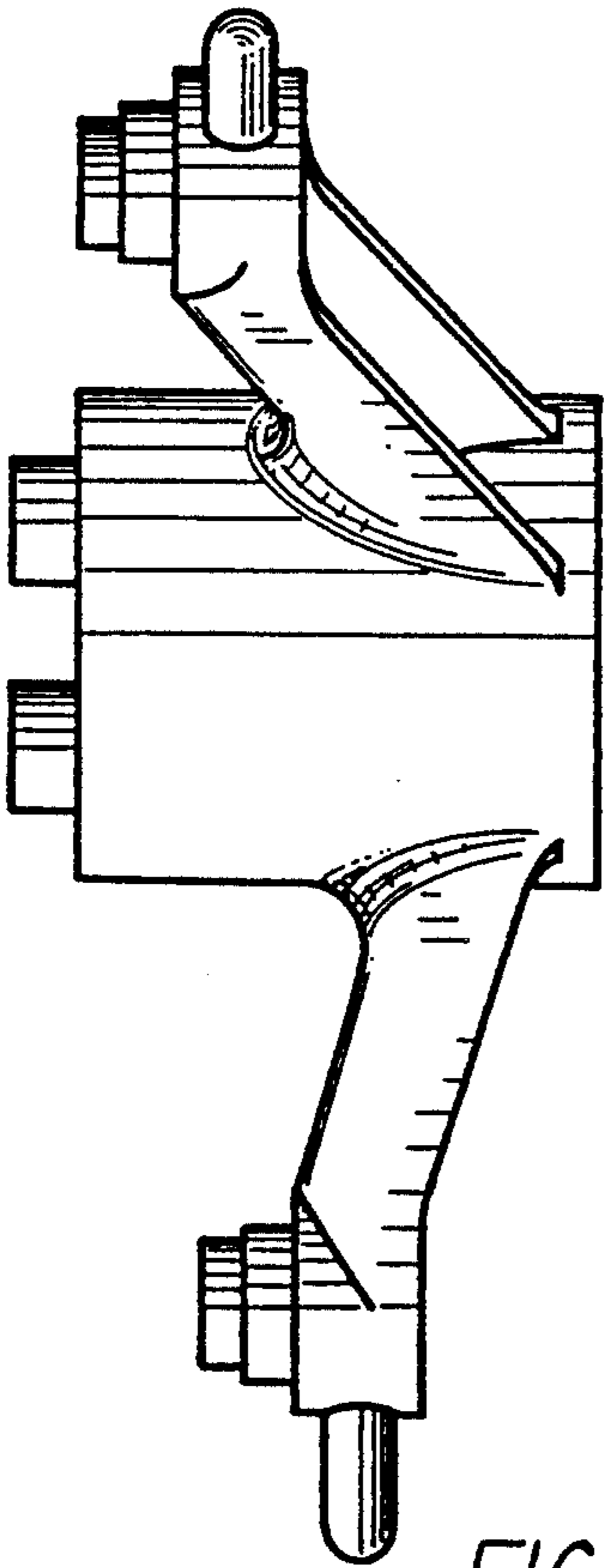


FIG. 4

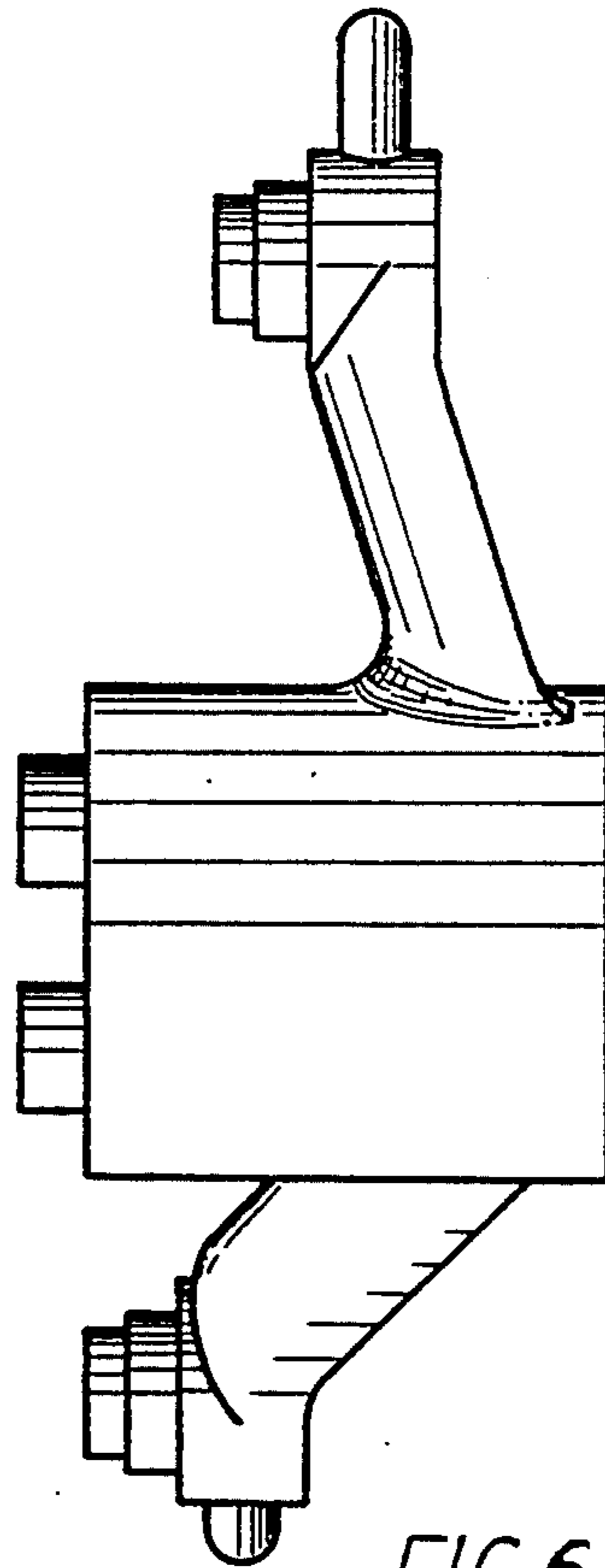


FIG. 6

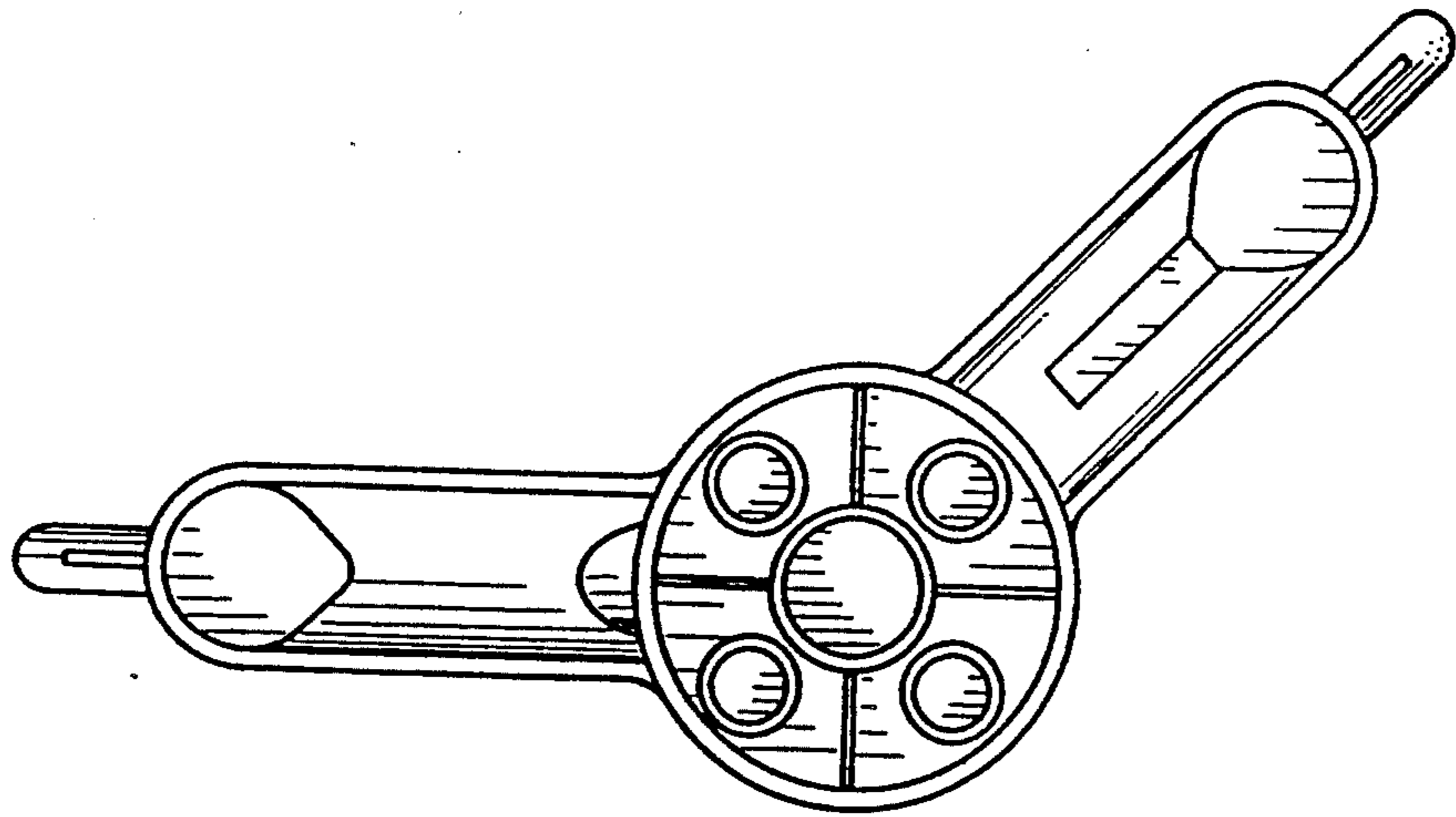


FIG. 8

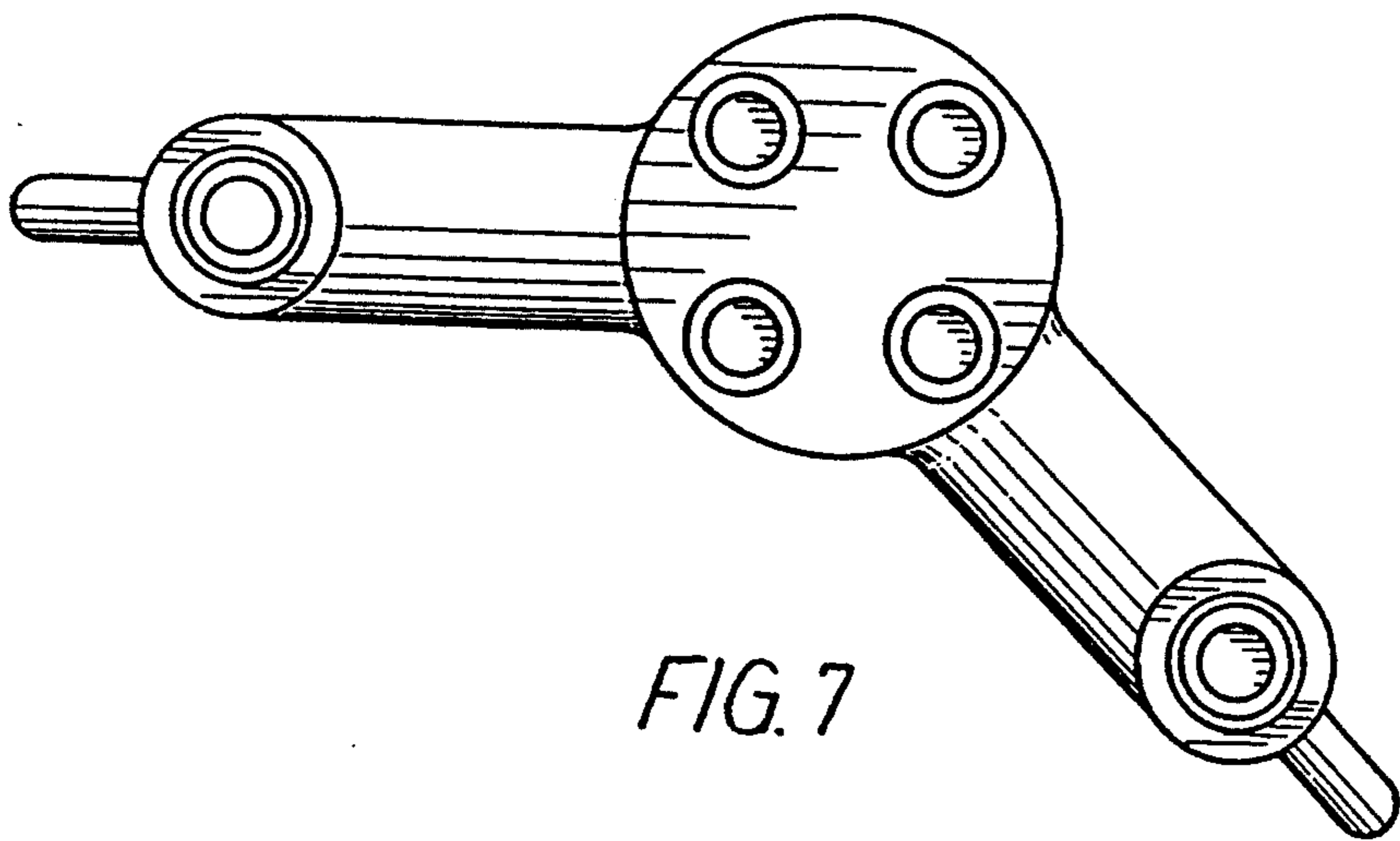


FIG. 7