

United States Patent [19]

Kovats

[11] Patent Number: **Des. 314,987**

[45] Date of Patent: **** Feb. 26, 1991**

[54] **TOY KITE**

[75] Inventor: **John J. Kovats**, Fernandina Beach, Fla.

[73] Assignee: **Space Adventures, Inc.**, Fernandina Beach, Fla.

[**] Term: **14 Years**

[21] Appl. No.: **289,782**

[22] Filed: **Dec. 27, 1988**

[52] U.S. Cl. **D21/89**

[58] Field of Search **D21/82, 84, 85, 86, D21/87-91; 446/34, 61-69**

[56] **References Cited**

U.S. PATENT DOCUMENTS

D. 83,551 3/1931 Kreft et al. D21/88

D. 223,770 6/1972 Goodman D21/89
D. 278,727 5/1985 Ninomiya D21/89
1,281,563 10/1918 Harb D21/85
2,664,666 1/1954 Walker 446/61

Primary Examiner—Charles A. Rademaker
Attorney, Agent, or Firm—Arthur G. Yeager

[57] CLAIM

The ornamental design for a toy kite, as shown and described.

DESCRIPTION

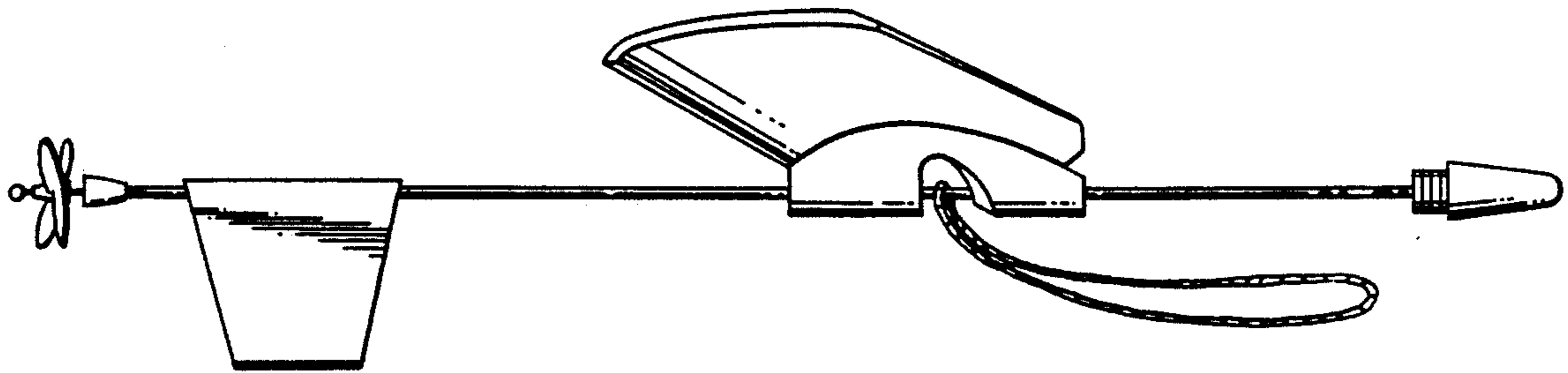
FIG. 1 is a side elevational view of a toy kite showing my new design, the side opposite being substantially a mirror image;

FIG. 2 is a top plan view thereof;

FIG. 3 is a front elevational view thereof;

FIG. 4 is a bottom plan view thereof; and

FIG. 5 is a rear elevational view thereof.



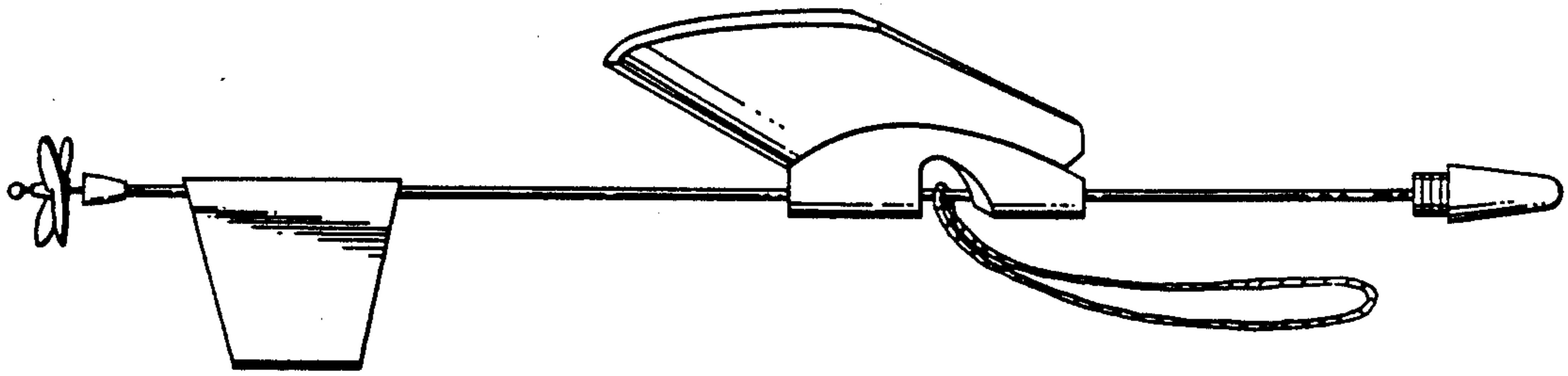


FIG 1

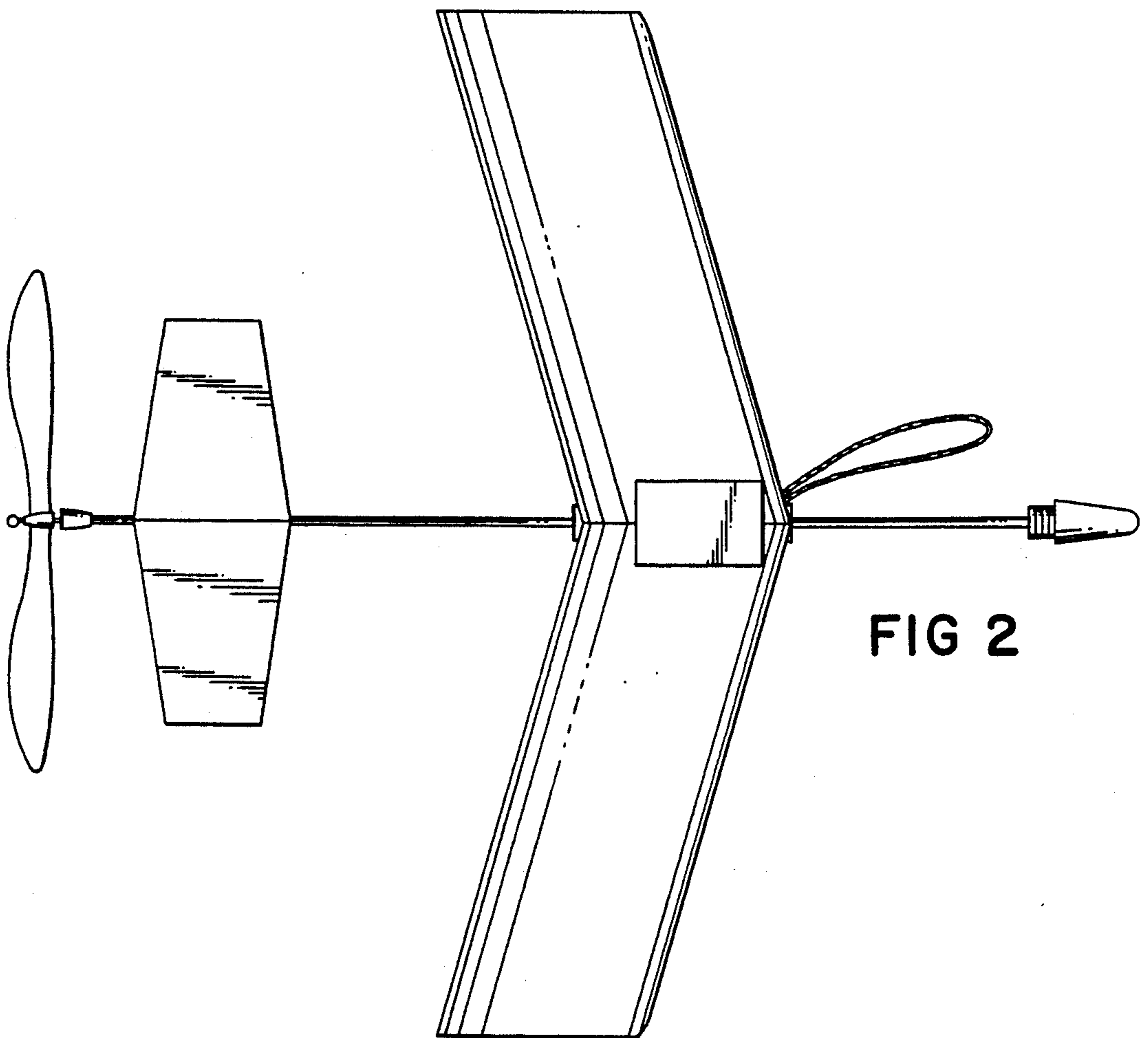


FIG 2

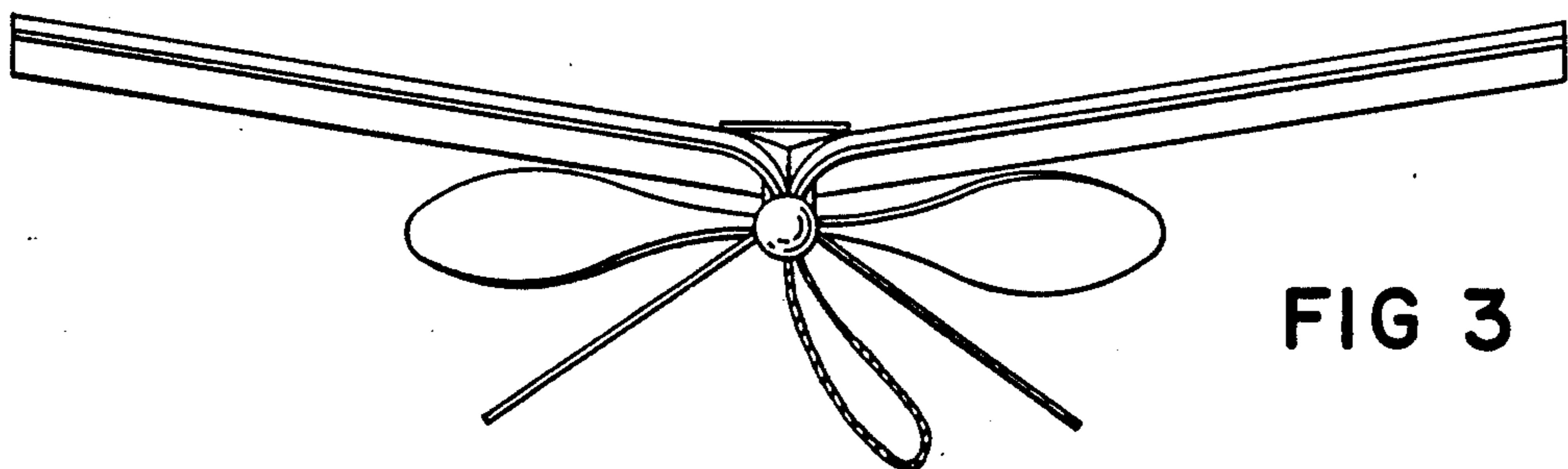


FIG 3

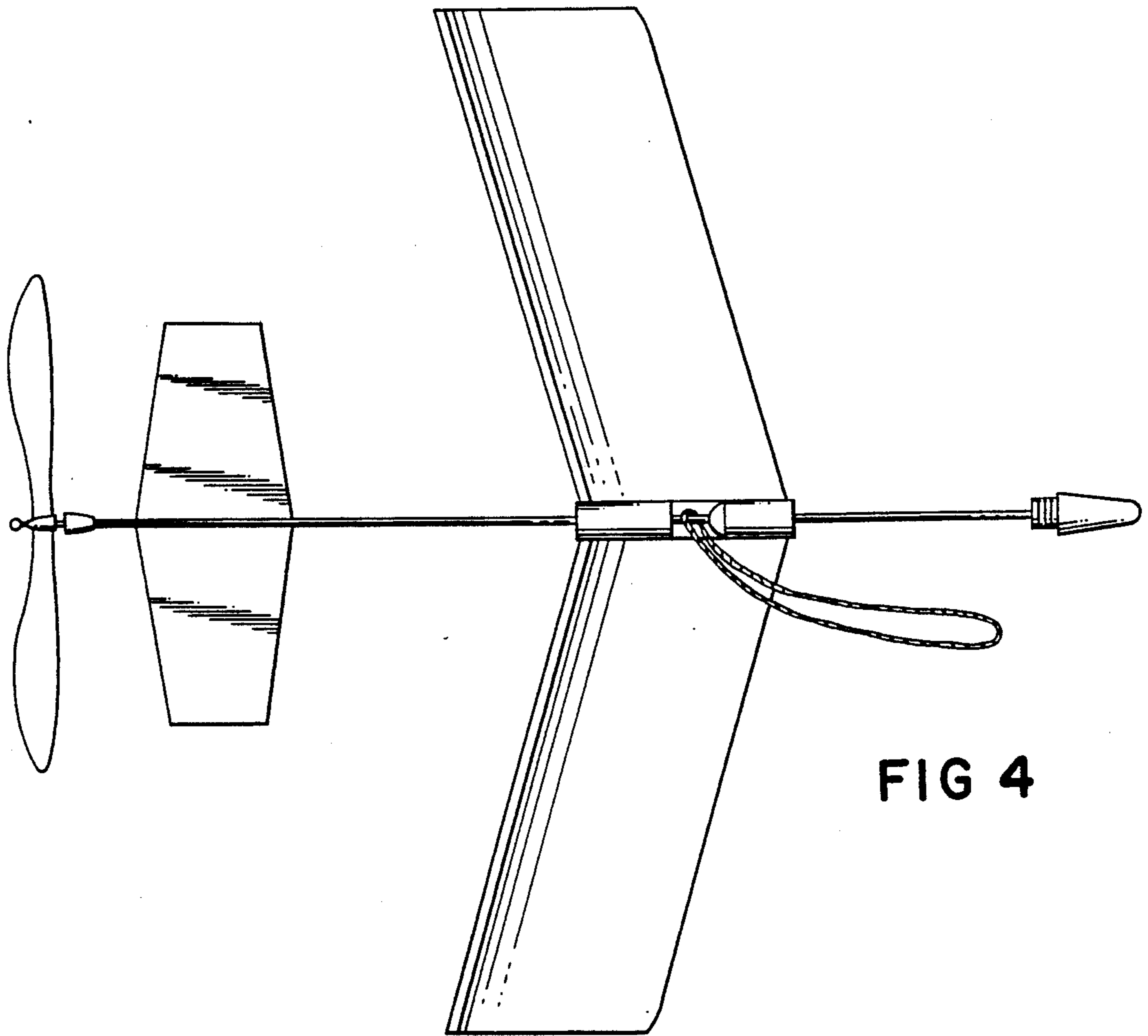


FIG 4

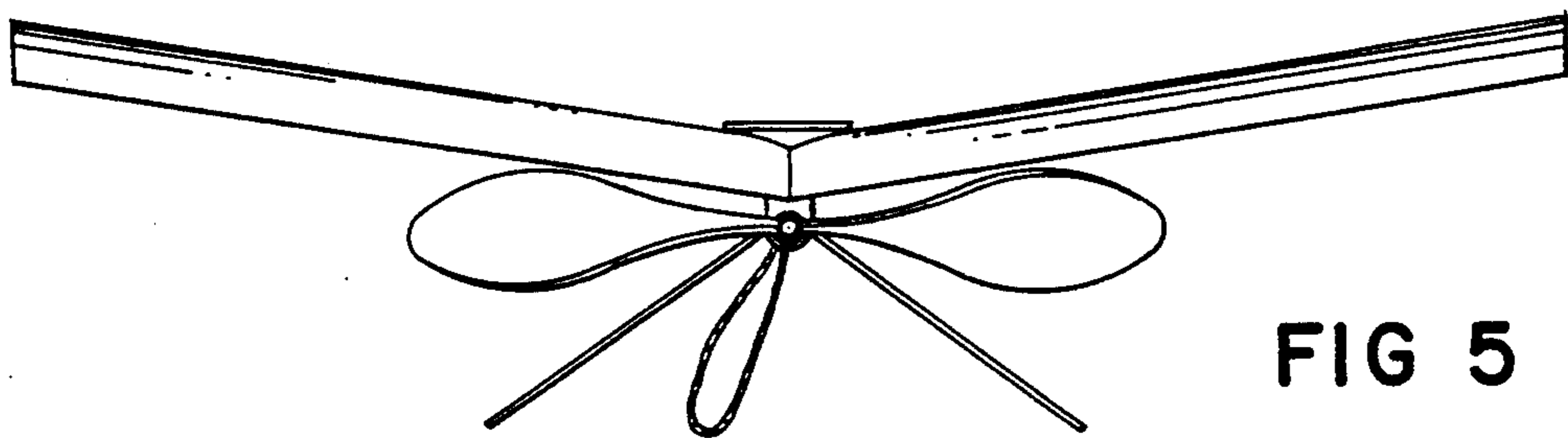


FIG 5