

[54] **PRINTER STAND**

[76] **Inventor:** Stephen Peart, 21116 Locust Dr.,  
Los Gatos, Calif. 95031

[\*\*] **Term:** 14 Years

[21] **Appl. No.:** 423,122

[22] **Filed:** Oct. 17, 1989

[52] **U.S. Cl.** ..... D18/23

[58] **Field of Search** ..... 211/13, 50; D14/111,  
D14/114; D6/426, 427, 430, 464, 477-479, 484,  
487; D18/13, 23; 248/670, 673, 676, 174-176,  
918; 400/613.2, 613.4, 691, 694; 108/41, 33;  
312/208

[56] **References Cited**

**U.S. PATENT DOCUMENTS**

D. 290,610 6/1987 Manning et al. .... D14/111  
D. 300,491 4/1989 Grossman ..... D6/479

**OTHER PUBLICATIONS**

Misco Computer Supplies & Accessories; p. 84; item  
JC2119.

Highsmith Cocat; p. 64; item B91A-65610.

Devoke Computer Support Pds. cat; Fall/Winter 1987;  
pp. 7, 26; item 9482-1.

Fidelity Supplies & Equip. for Ofc. & Industry Cat; p.  
inside front cover-item RX7567.

*Primary Examiner*—A. Hugo Word

*Assistant Examiner*—Cathy Anne MacCormac

*Attorney, Agent, or Firm*—Kolisich, Hartwell,

Dickinson, McCormack & Heuser

[57] **CLAIM**

The ornamental design for printer stand, as shown.

**DESCRIPTION**

FIG. 1 is a perspective view of a printer stand showing  
my new design;

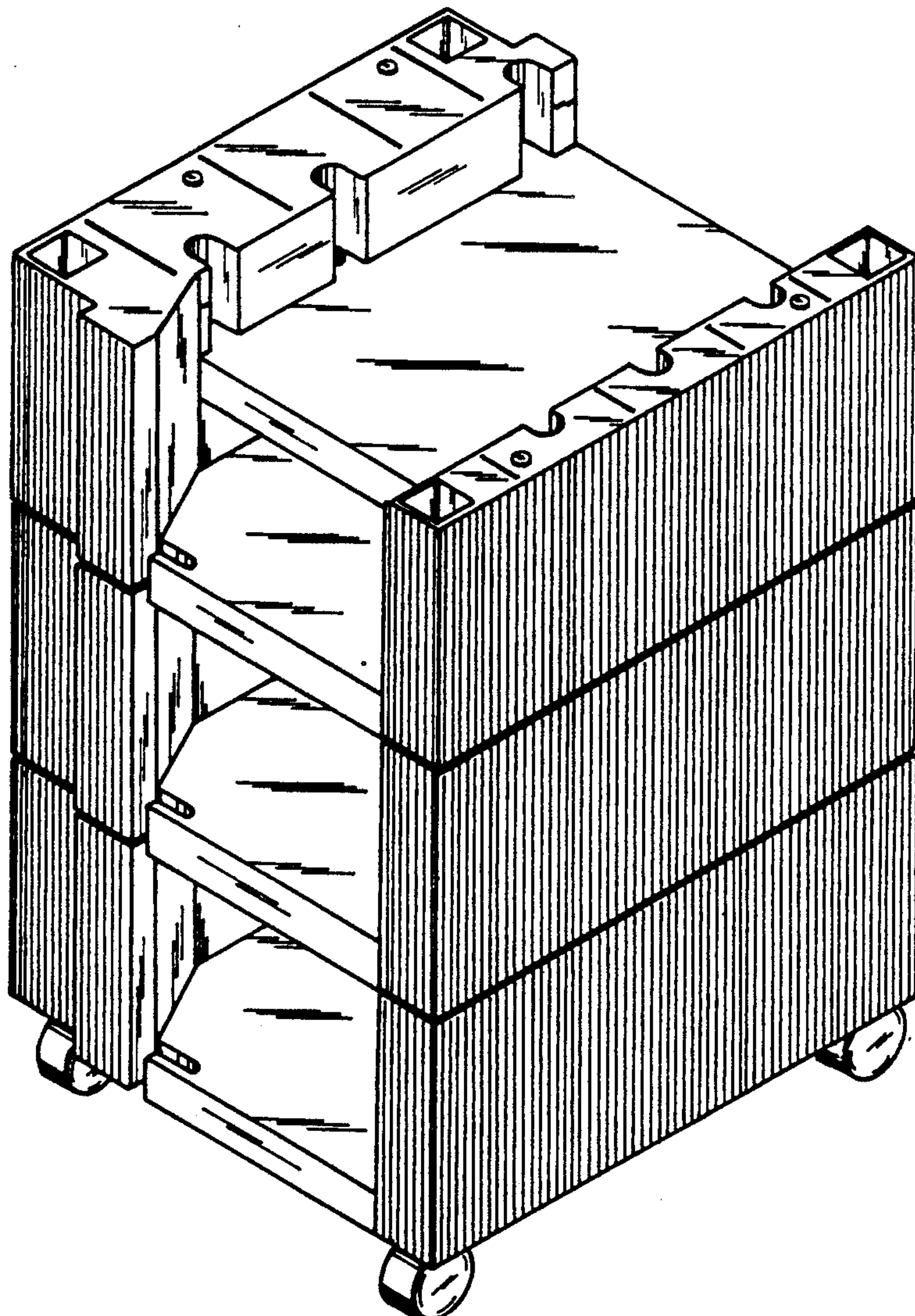
FIG. 2 is a top plan view thereof;

FIG. 3 is a front elevational view thereof;

FIG. 4 is a right-side-elevational view thereof;

FIG. 5 is a rear-elevational view thereof; and

FIG. 6 is a left-side-elevational view thereof.



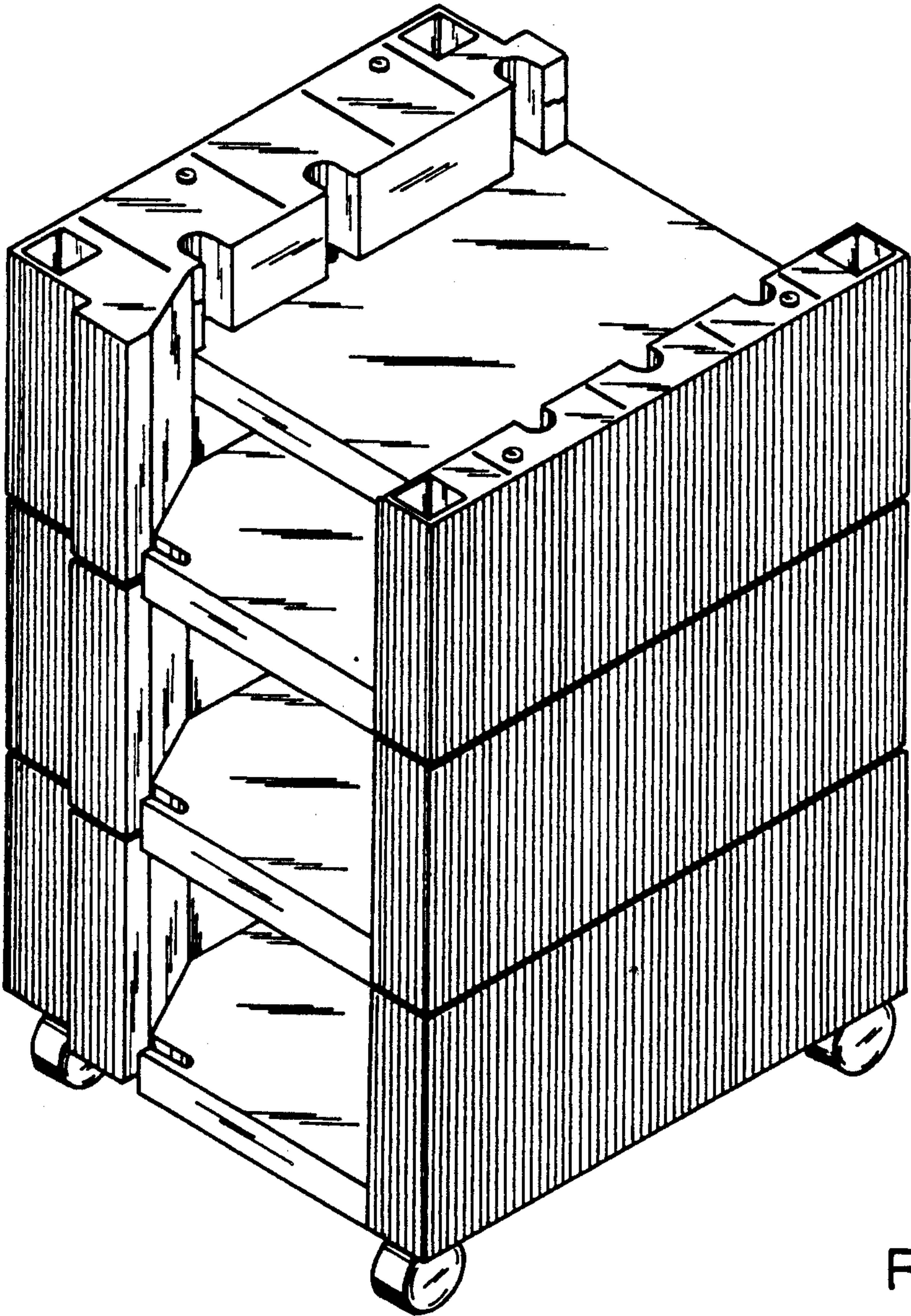


FIG.1

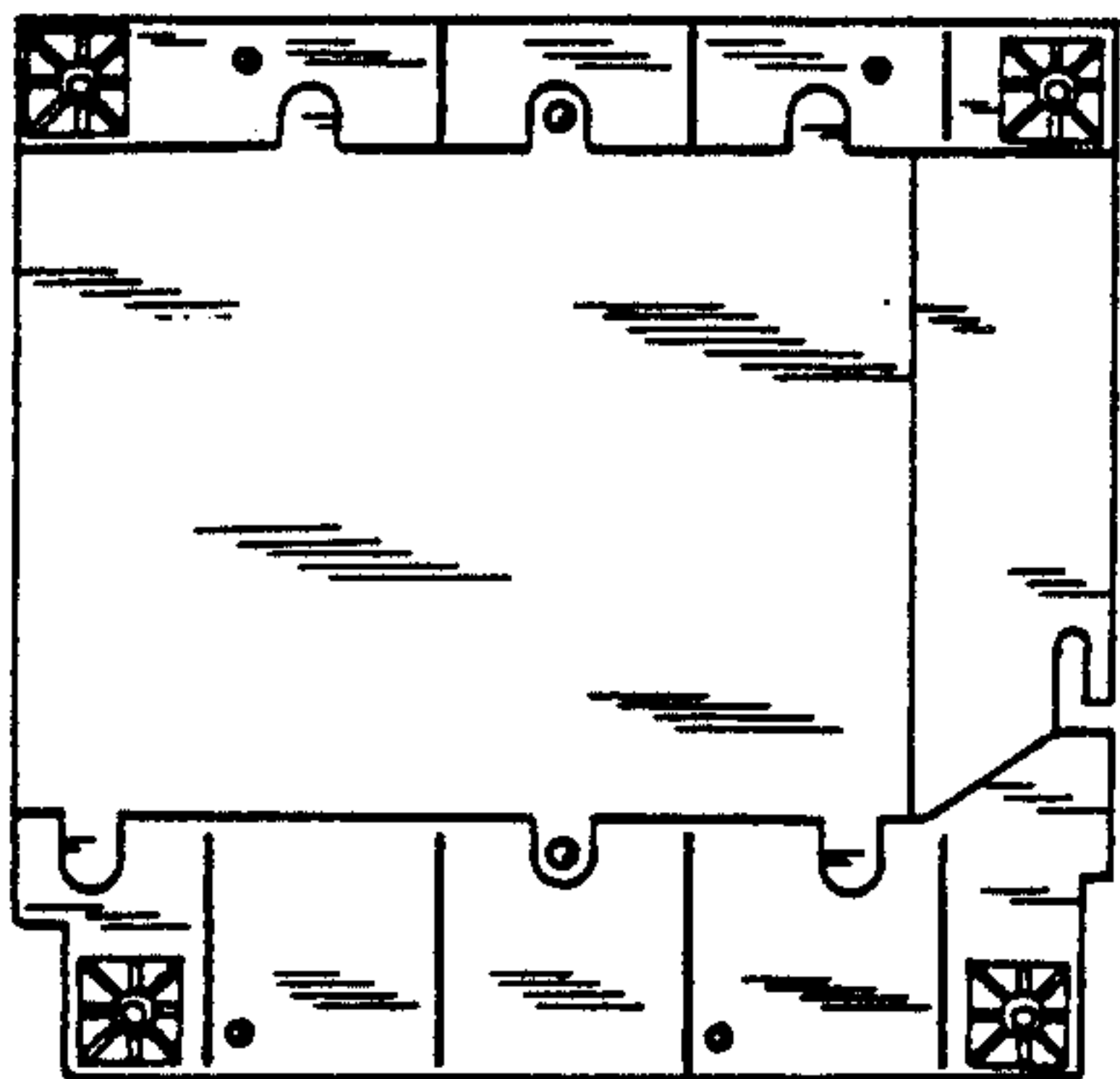


FIG. 2

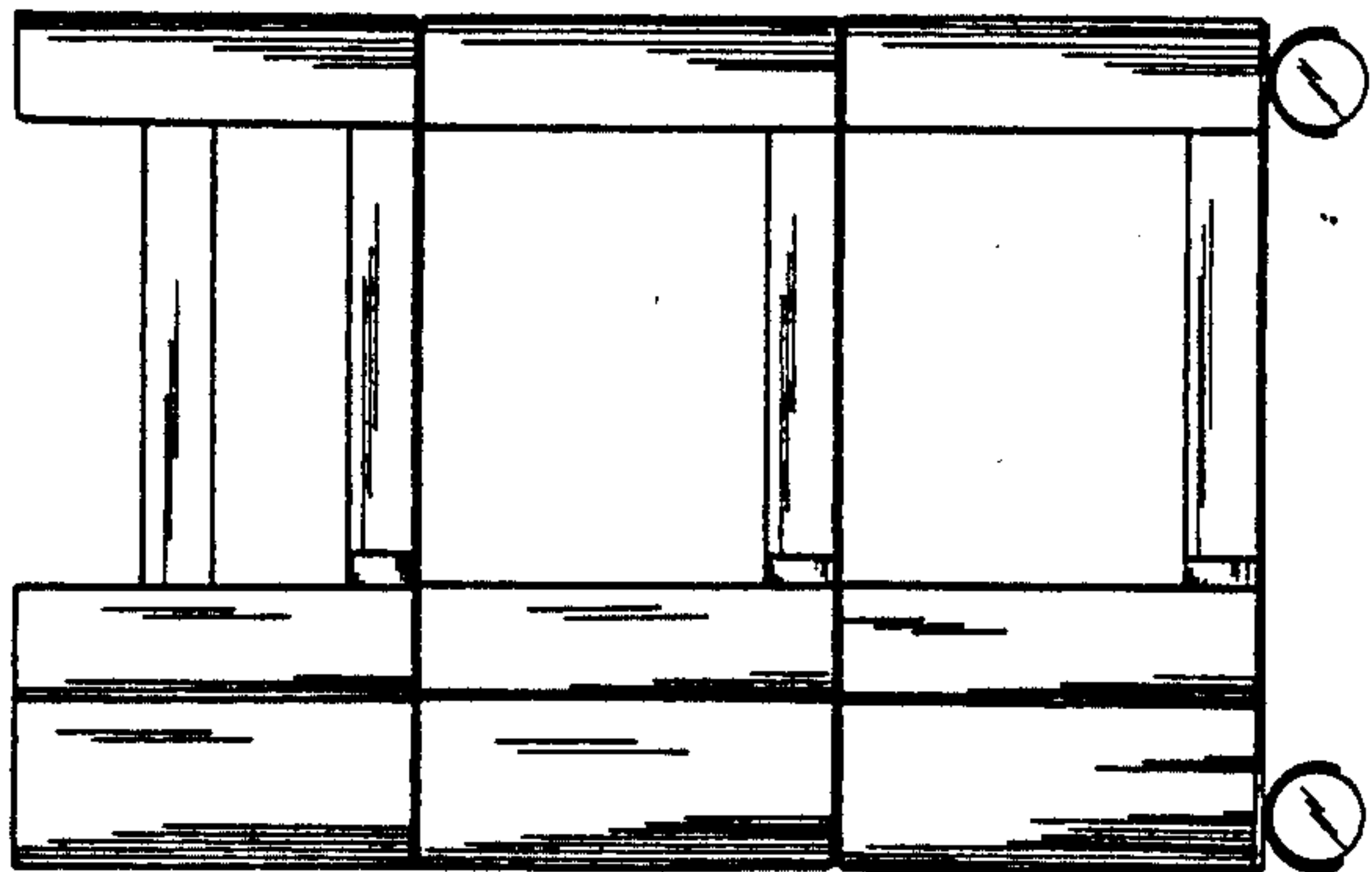


FIG. 3

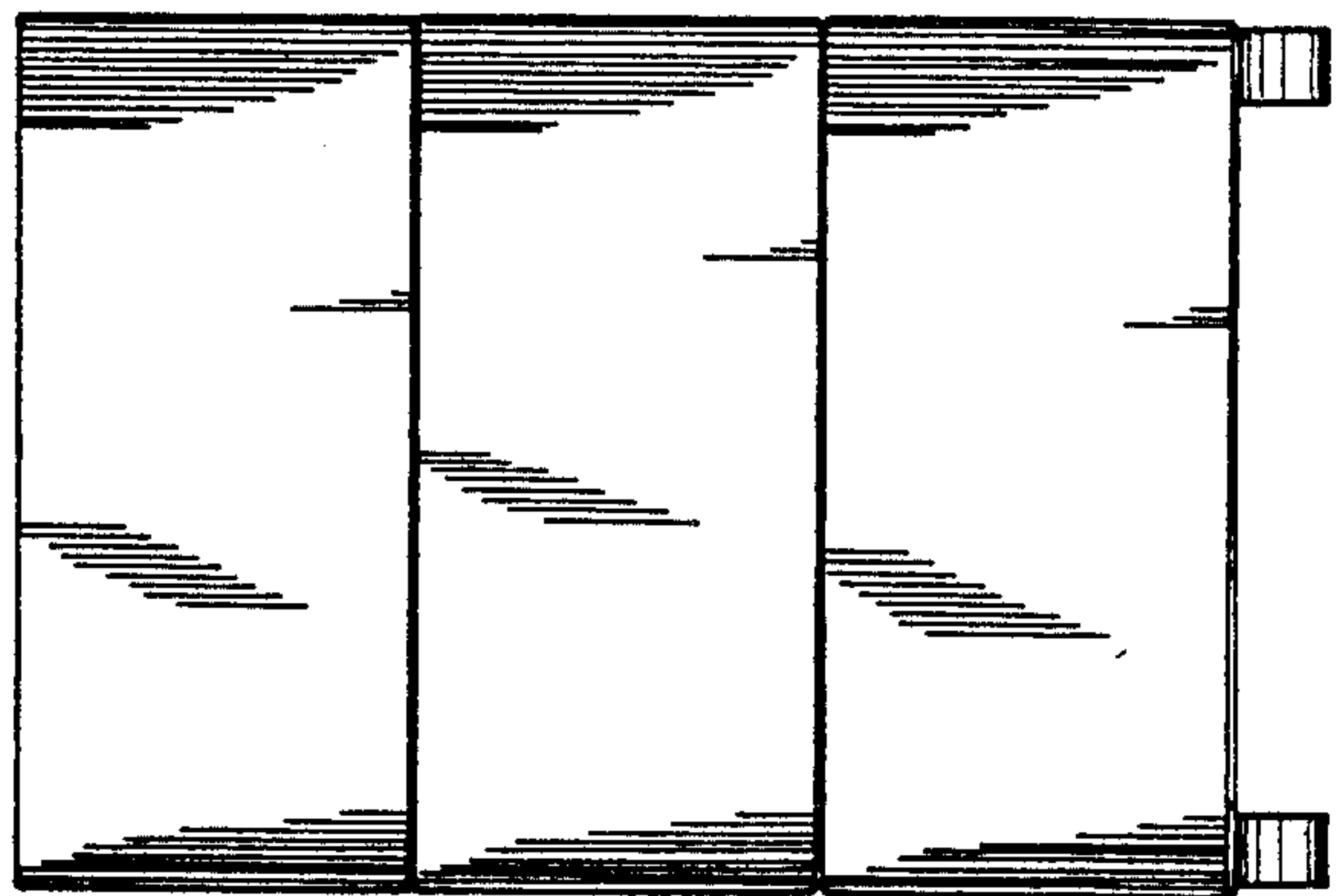


FIG. 4

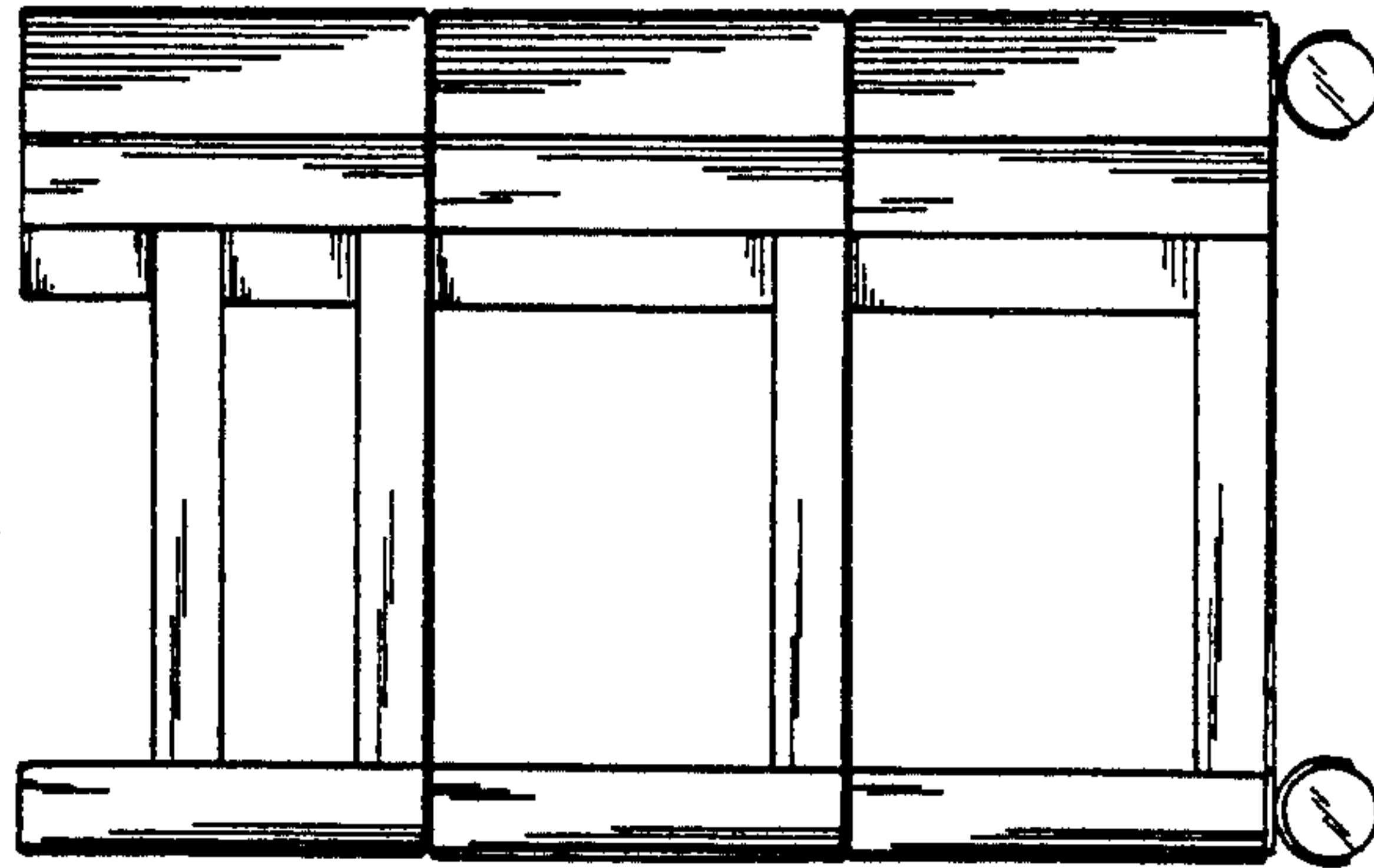


FIG. 5

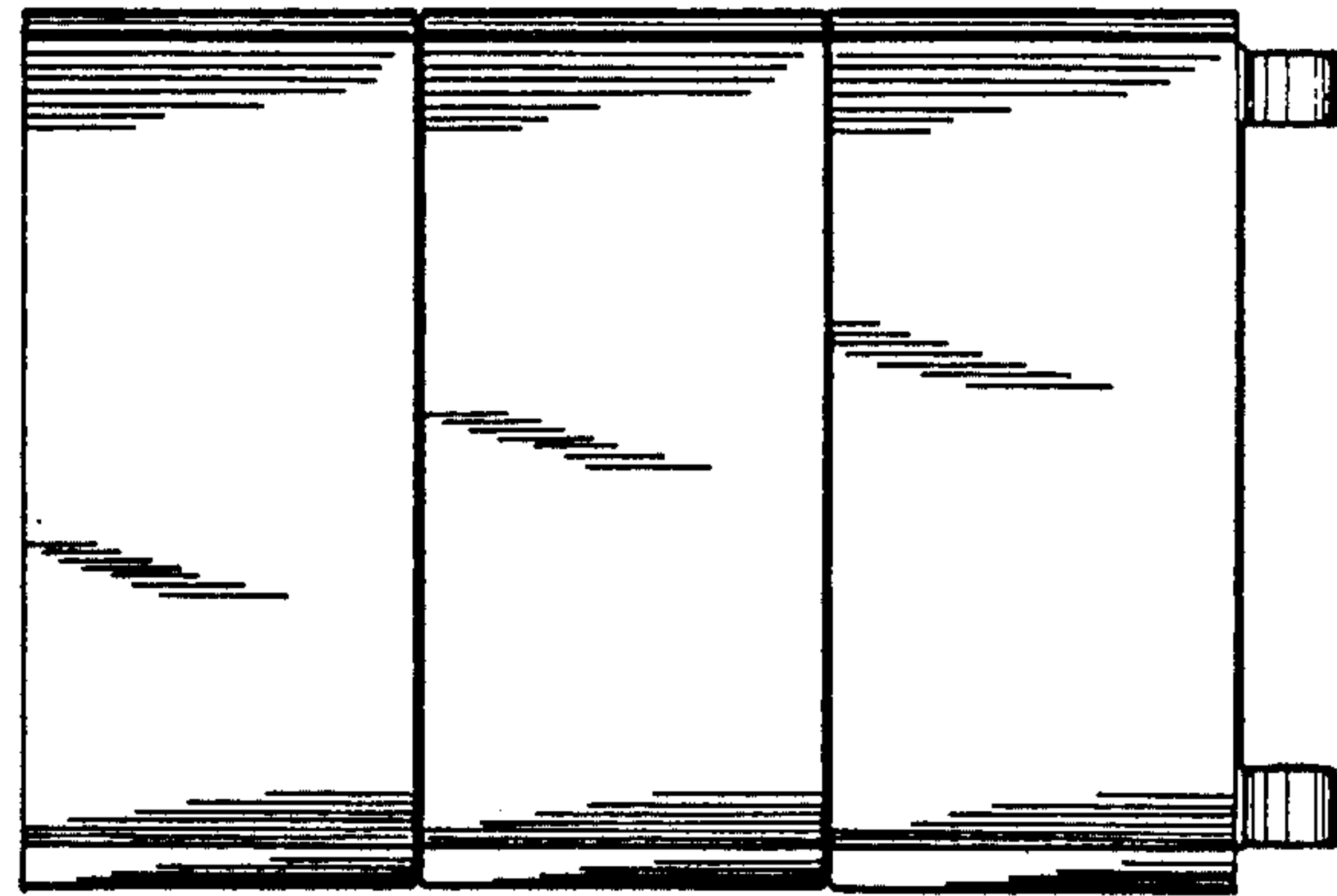


FIG. 6