

[54] DRUM SPUR HOLDER

4,185,808 1/1980 Donohoe et al. 84/421
4,596,176 6/1986 Gauger 84/421

[75] Inventors: Masamichi Nakayama, Nagoya;
Yoshiki Hoshino, Owariasahi, both of
Japan

FOREIGN PATENT DOCUMENTS

3339397 5/1985 Fed. Rep. of Germany 84/421

[73] Assignee: Hoshino Gakki Co., Ltd., Japan

Primary Examiner—Bernard Ansher
Assistant Examiner—Adir Aronovich

[**] Term: 14 Years

[57] CLAIM

[21] Appl. No.: 11,229

The ornamental design for drum spur holder, as shown
and described.

[22] Filed: Feb. 5, 1987

[52] U.S. Cl. D17/22

[58] Field of Search D17/22, 99; D8/354;
84/421; 248/231.5, 231.6, 316.5, 316.6

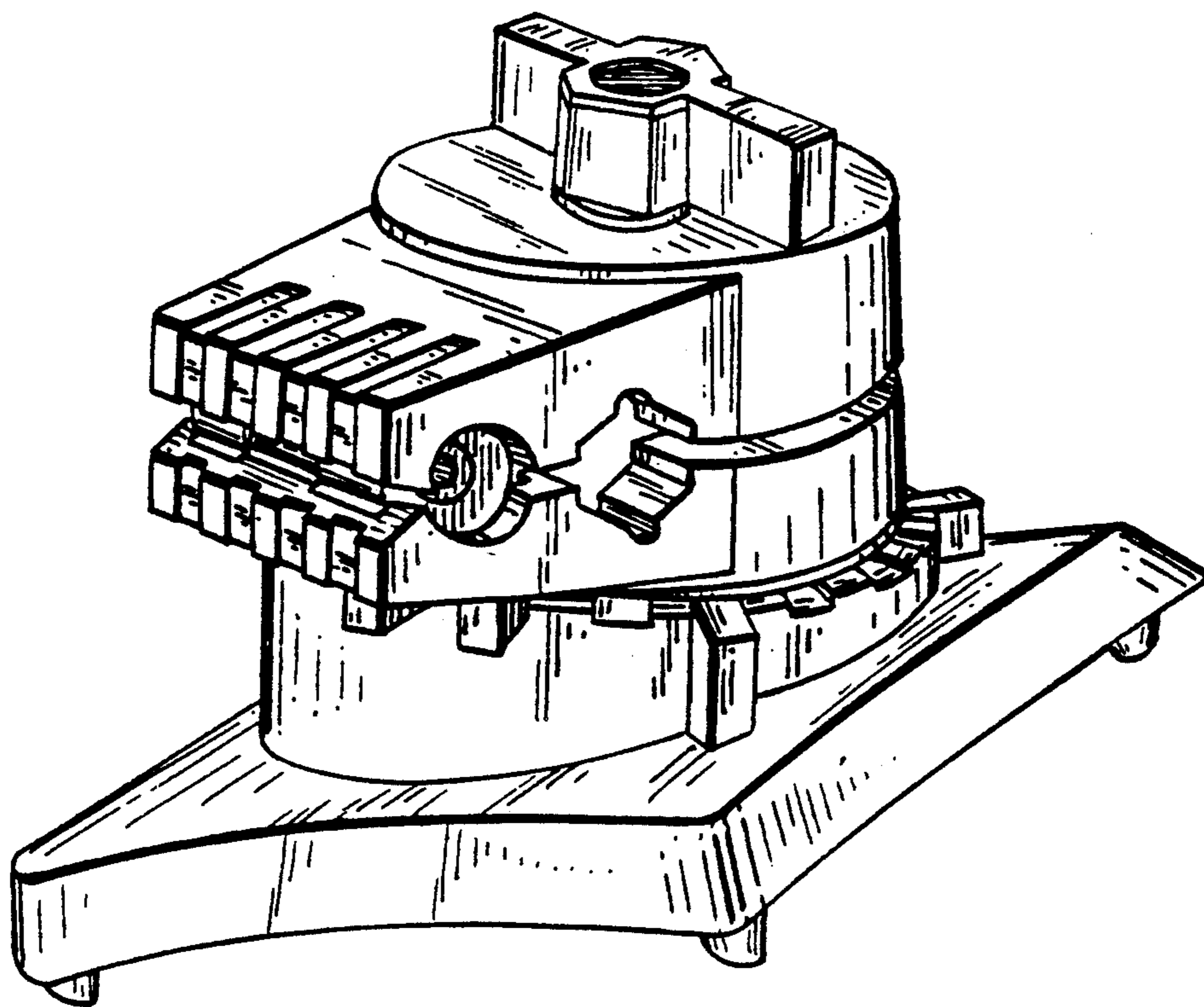
DESCRIPTION

FIG. 1 is a perspective view of a drum spur holder
showing my new design;
FIG. 2 is a front elevational view thereof;
FIG. 3 is a bottom plan view thereof;
FIG. 4 is a top plan view thereof;
FIG. 5 is a rear elevational view thereof;
FIG. 6 is a left side elevational view thereof; and
FIG. 7 is a right side elevational view thereof.

[56] References Cited

U.S. PATENT DOCUMENTS

D. 205,474 8/1966 Farnlund D17/22
3,405,588 10/1968 Della-Porta 84/421
3,576,149 4/1971 Slingerland, Jr. 84/421



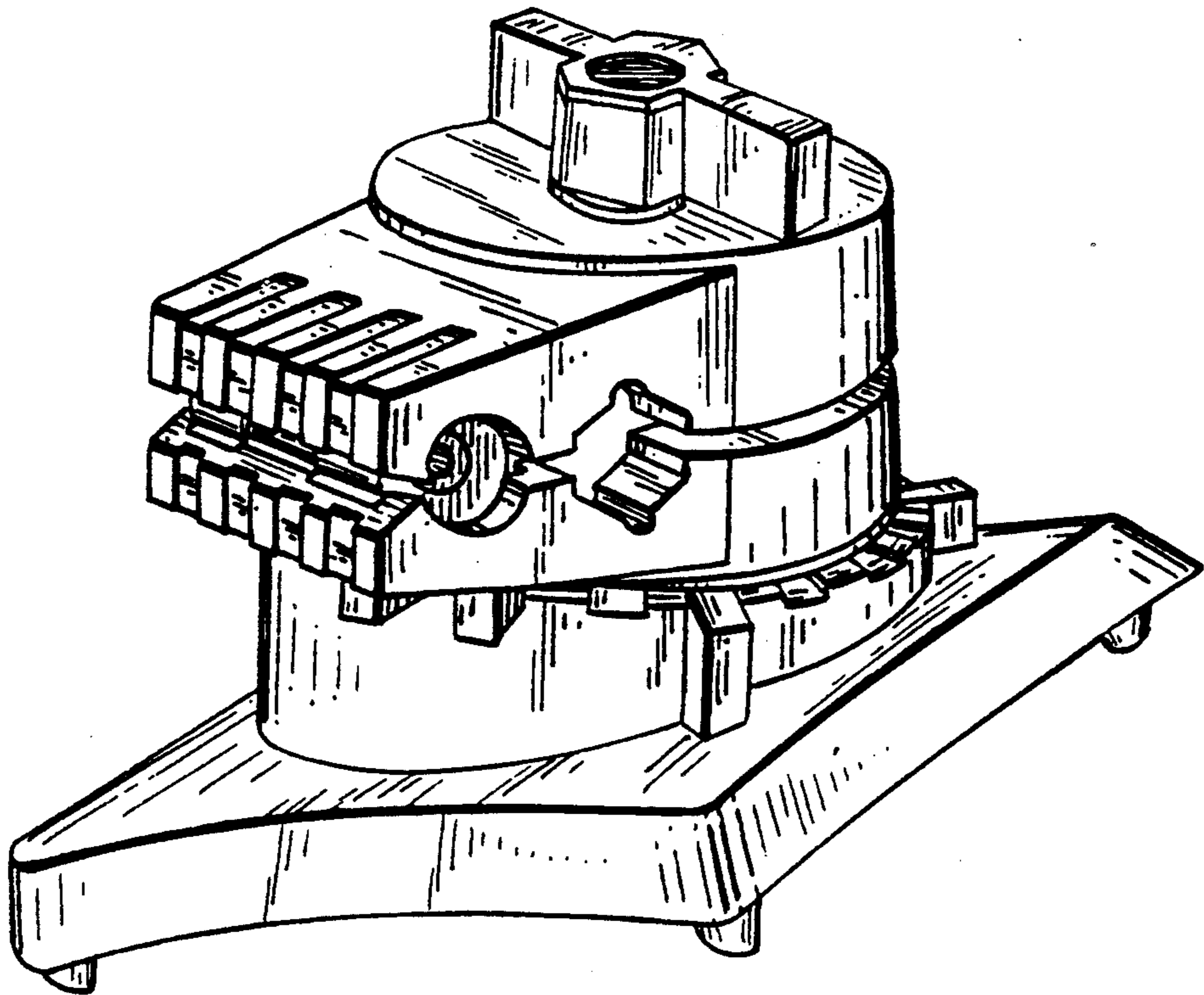


FIG. 1.

FIG. 2.

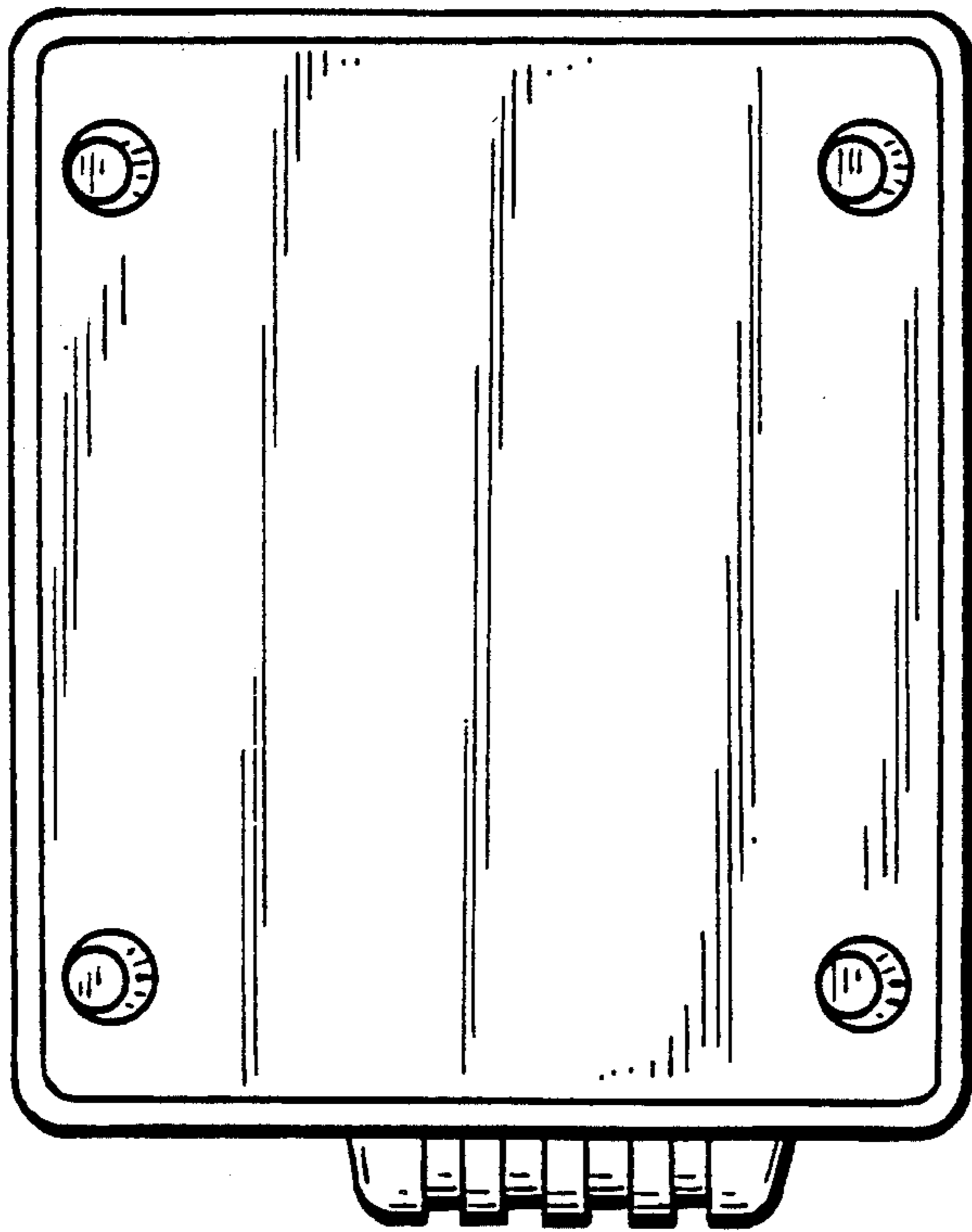
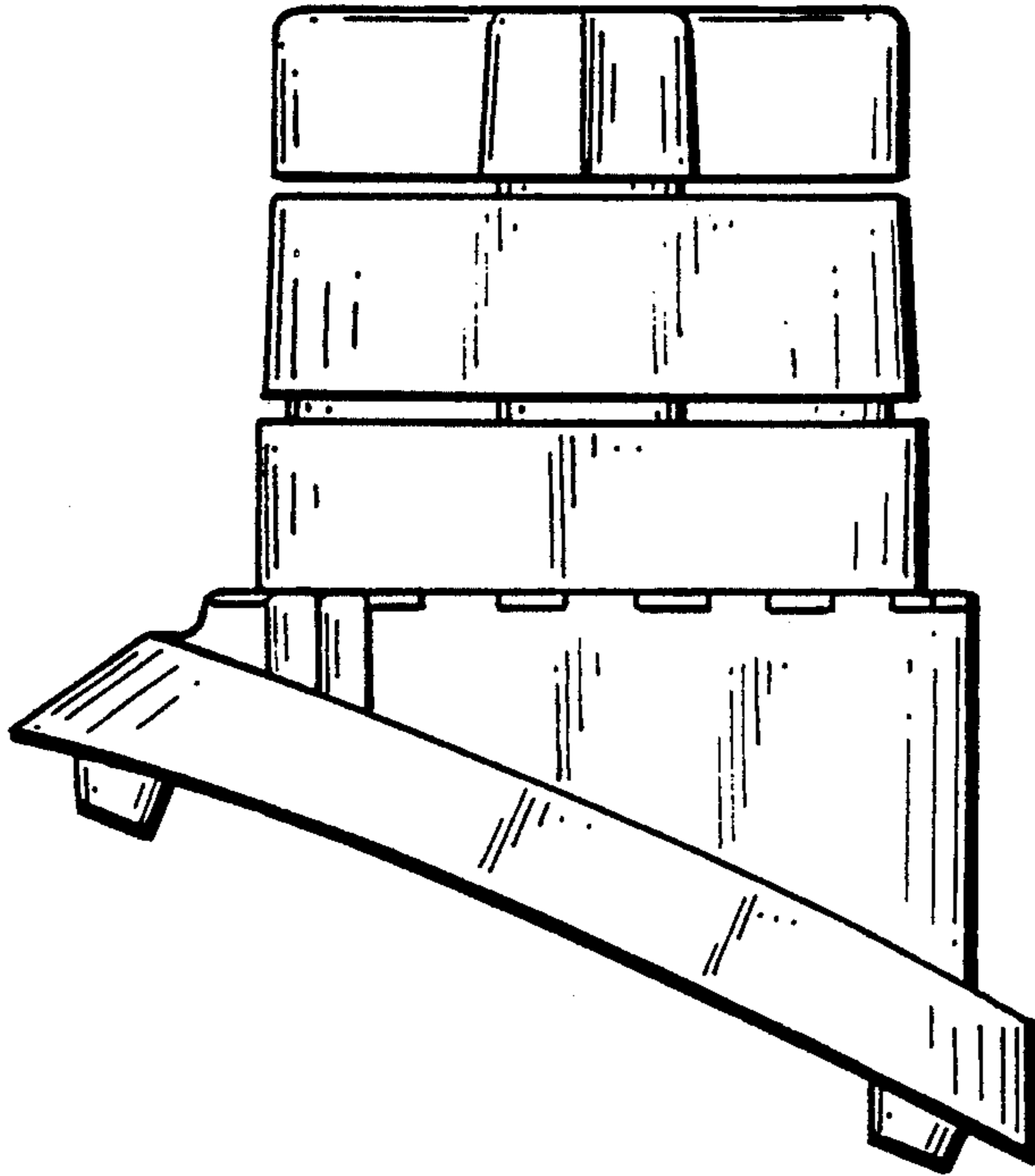


FIG. 3.

FIG. 4.

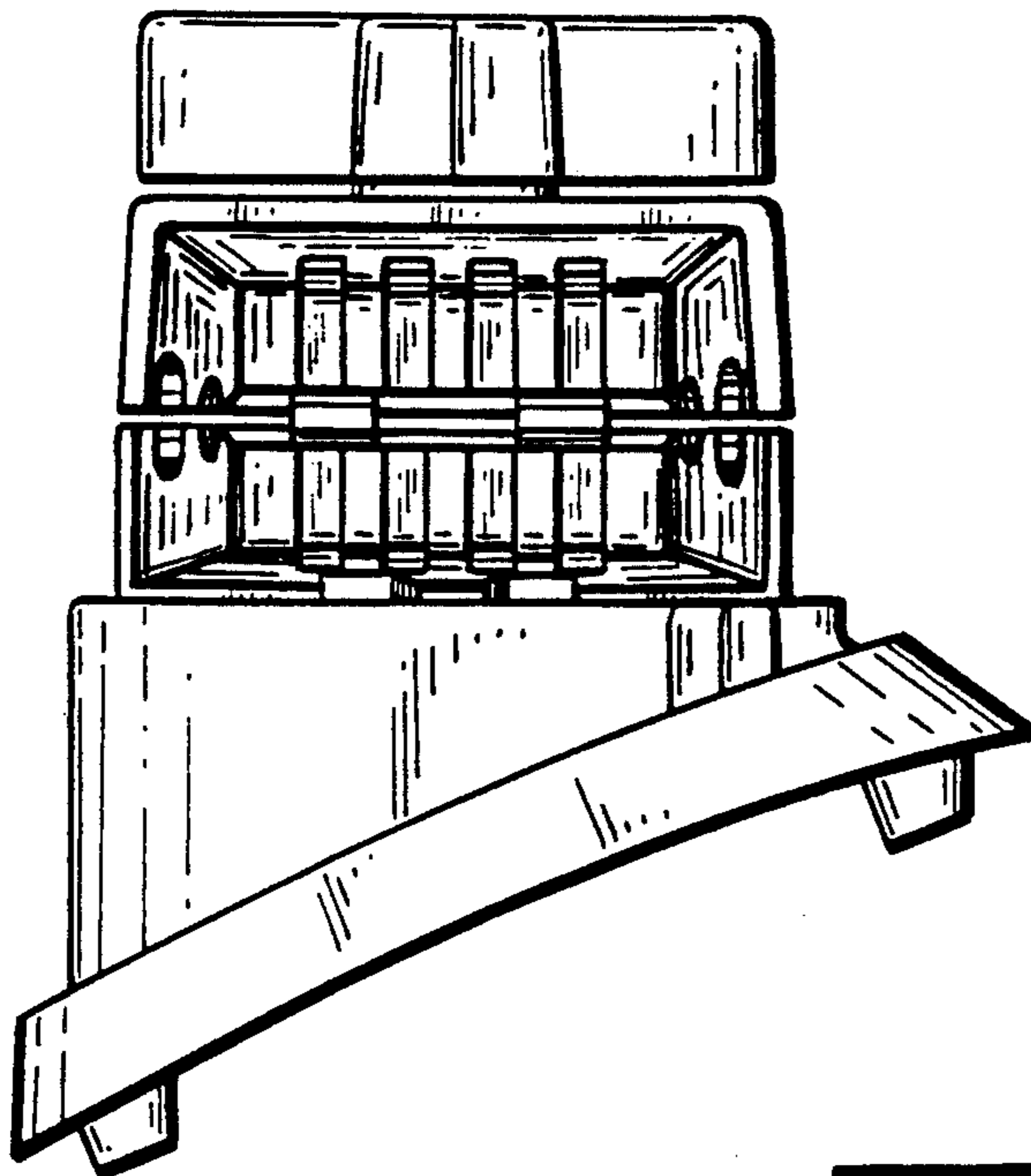
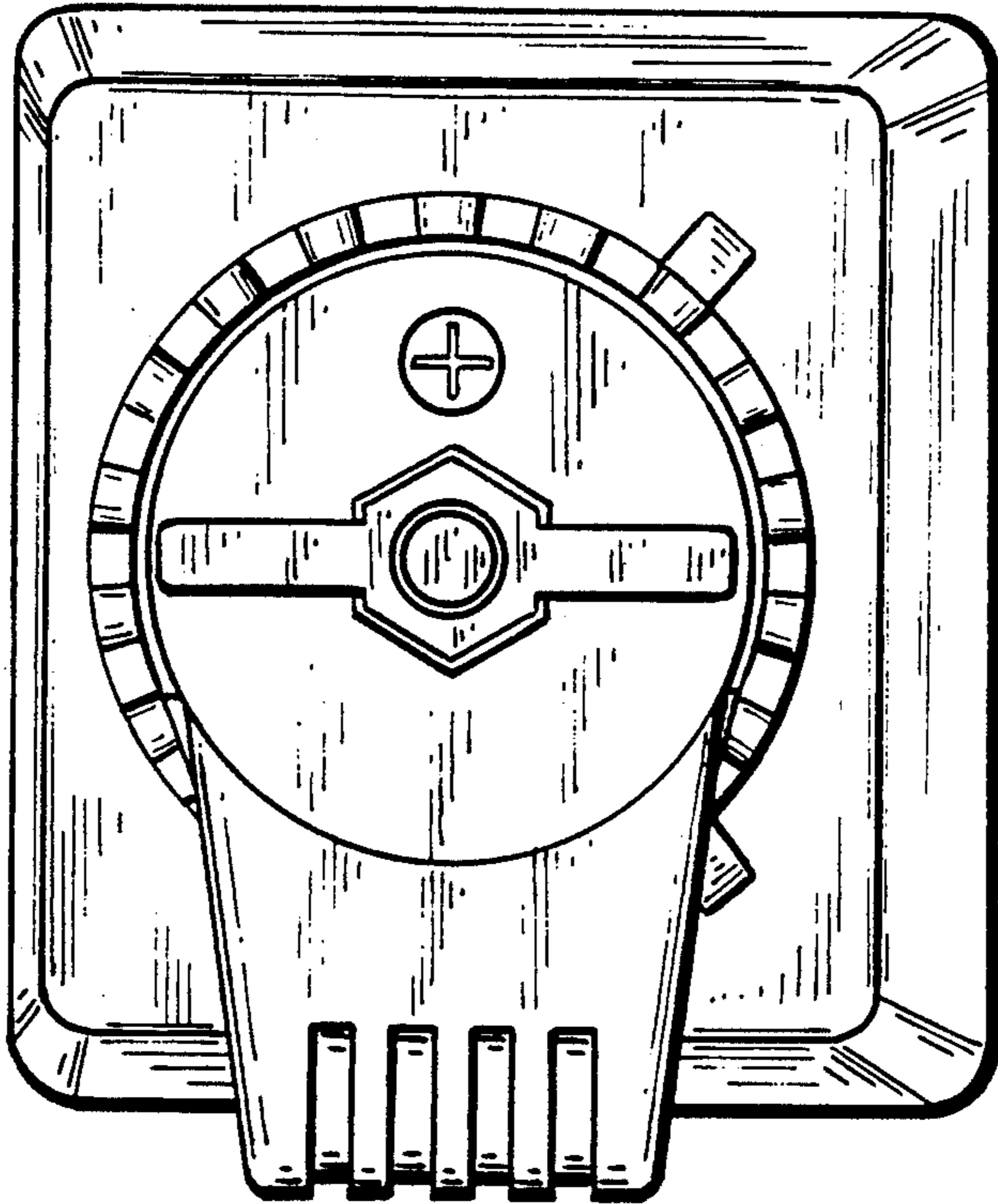


FIG. 5.

FIG. 6.

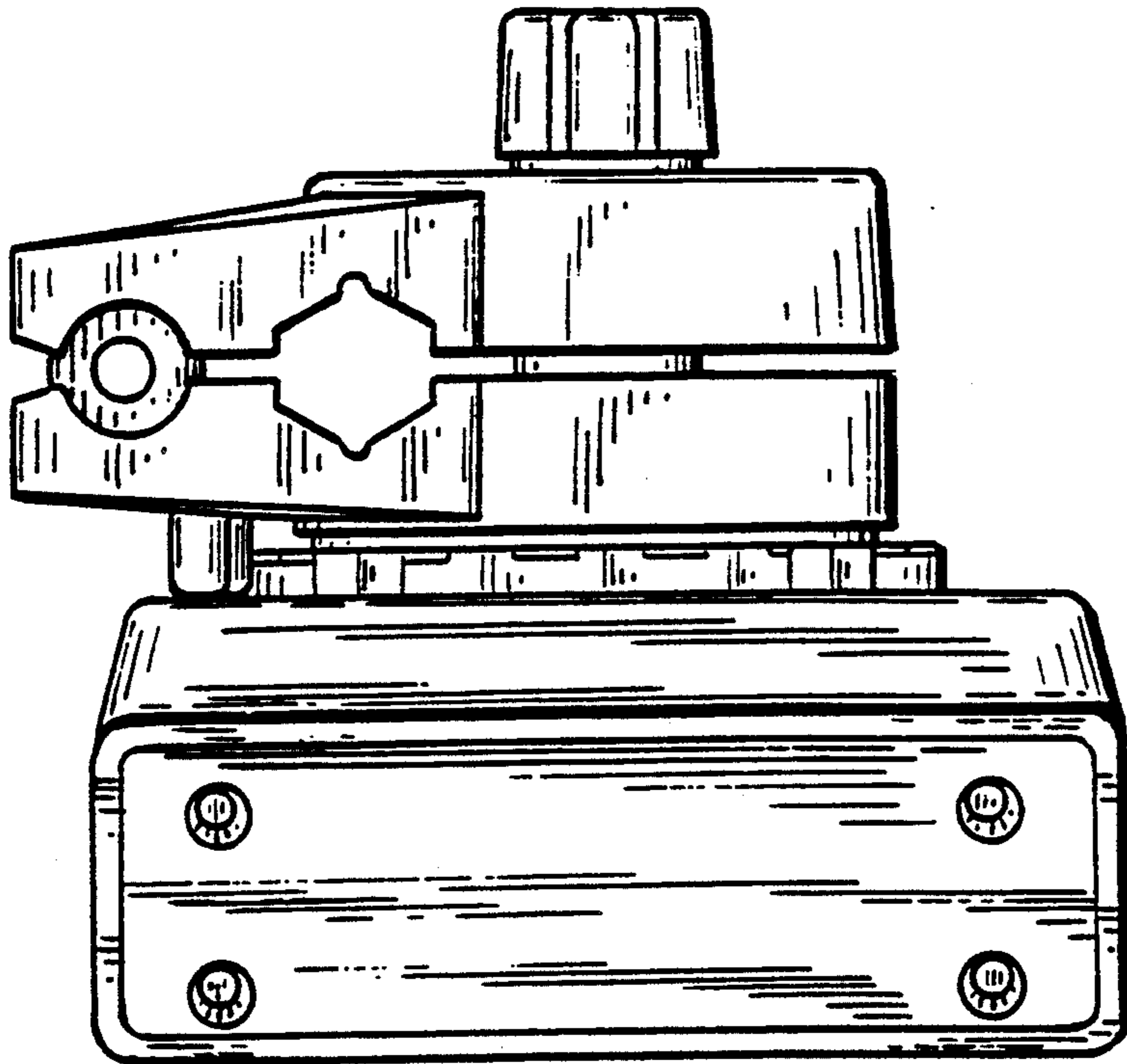


FIG. 7.

