

[54] **PRINTER PROCESSOR FOR MAKING PHOTOGRAPHIC PRINTS**

[75] Inventors: **Mikio Takahashi; Masahiro Fukuda,** both of Tokyo, Japan

[73] Assignee: **Fuji Photo Film Co., Ltd., Kanagawa,** Japan

[**] Term: **14 Years**

[21] Appl. No.: **169,356**

[22] Filed: **Mar. 17, 1988**

[30] **Foreign Application Priority Data**

Sep. 18, 1987 [JP] Japan 62-38091

[52] U.S. Cl. **D16/246; D18/38**

[58] Field of Search **D16/246-250; D18/36-39; 354/322; 355/27, 28, 200**

[56] **References Cited**

U.S. PATENT DOCUMENTS

- D. 190,603 6/1961 Zagara D18/36
- D. 214,814 7/1969 Bannash D16/246
- D. 234,159 1/1975 Knowles D16/246
- D. 249,529 9/1978 Gilligan D16/248
- D. 272,360 1/1984 Schlagheck et al. D16/247
- D. 272,744 2/1984 Schlagheck et al. D16/247

- D. 273,872 5/1984 Schlagheck et al. D16/247
- D. 275,863 10/1984 Hawley et al. D18/36
- D. 296,445 6/1988 Hofland et al. D18/39
- 3,354,779 11/1967 Brown 355/27
- 4,742,375 5/1988 Kogane et al. 355/28

OTHER PUBLICATIONS

3M Brochure, 7/1984 (FS-6 Camera Processor), cover page and p. 3.

Primary Examiner—Bernard Ansher
Assistant Examiner—Adir Aronovich
Attorney, Agent, or Firm—Young & Thompson

[57] **CLAIM**

The ornamental design for a printer processor for making photographic prints, as shown.

DESCRIPTION

FIG. 1 is a perspective view of a printer processor for making photographic prints, showing our new design; FIG. 2 is a front elevational view thereof; FIG. 3 is a rear elevational view thereof; FIG. 4 is a top plan view thereof; FIG. 5 is a bottom plan view thereof; FIG. 6 is a side elevational view thereof, from the right of FIG. 2; and FIG. 7 is a side elevational view thereof, from the left of FIG. 2.

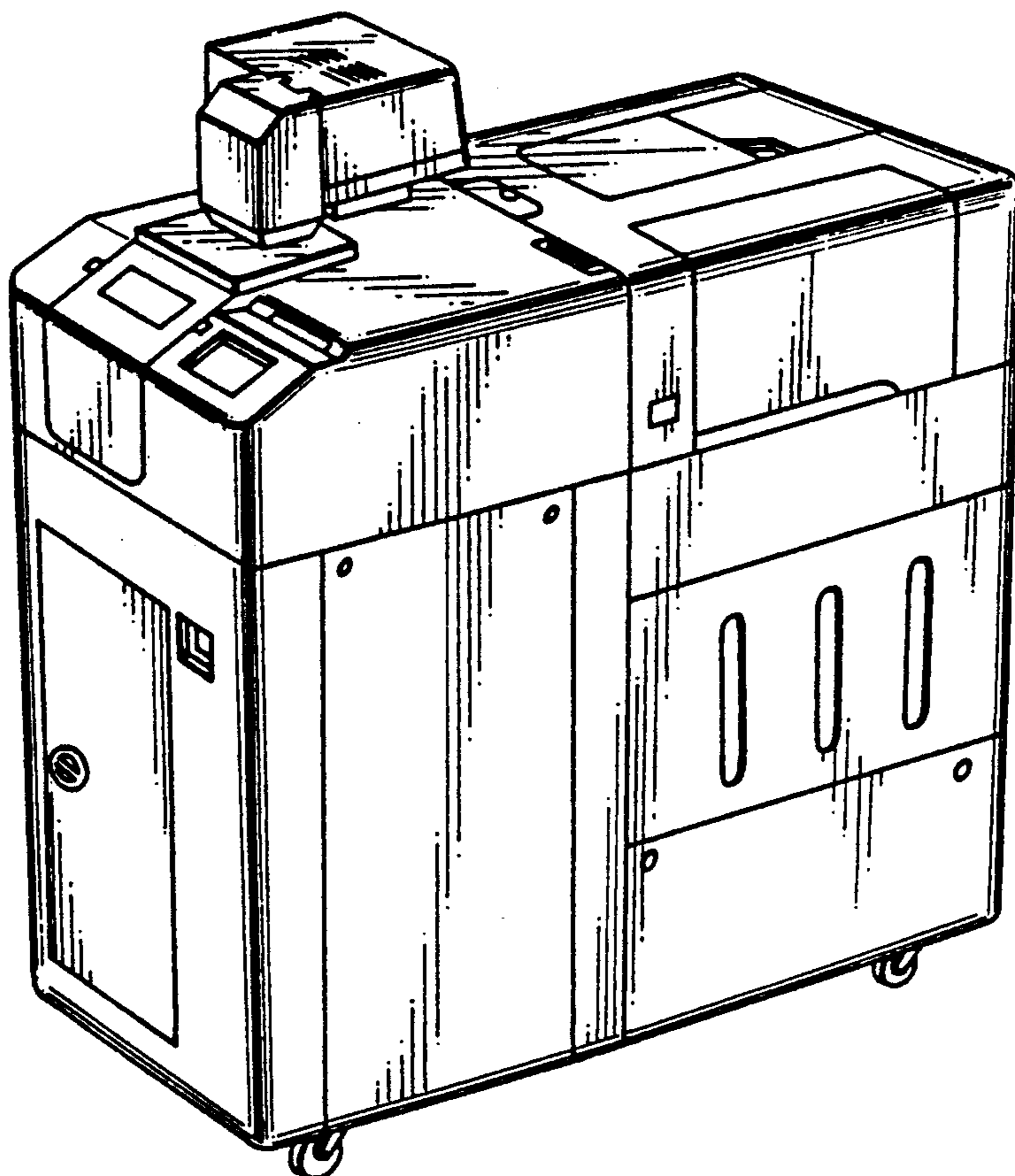


FIG. 1

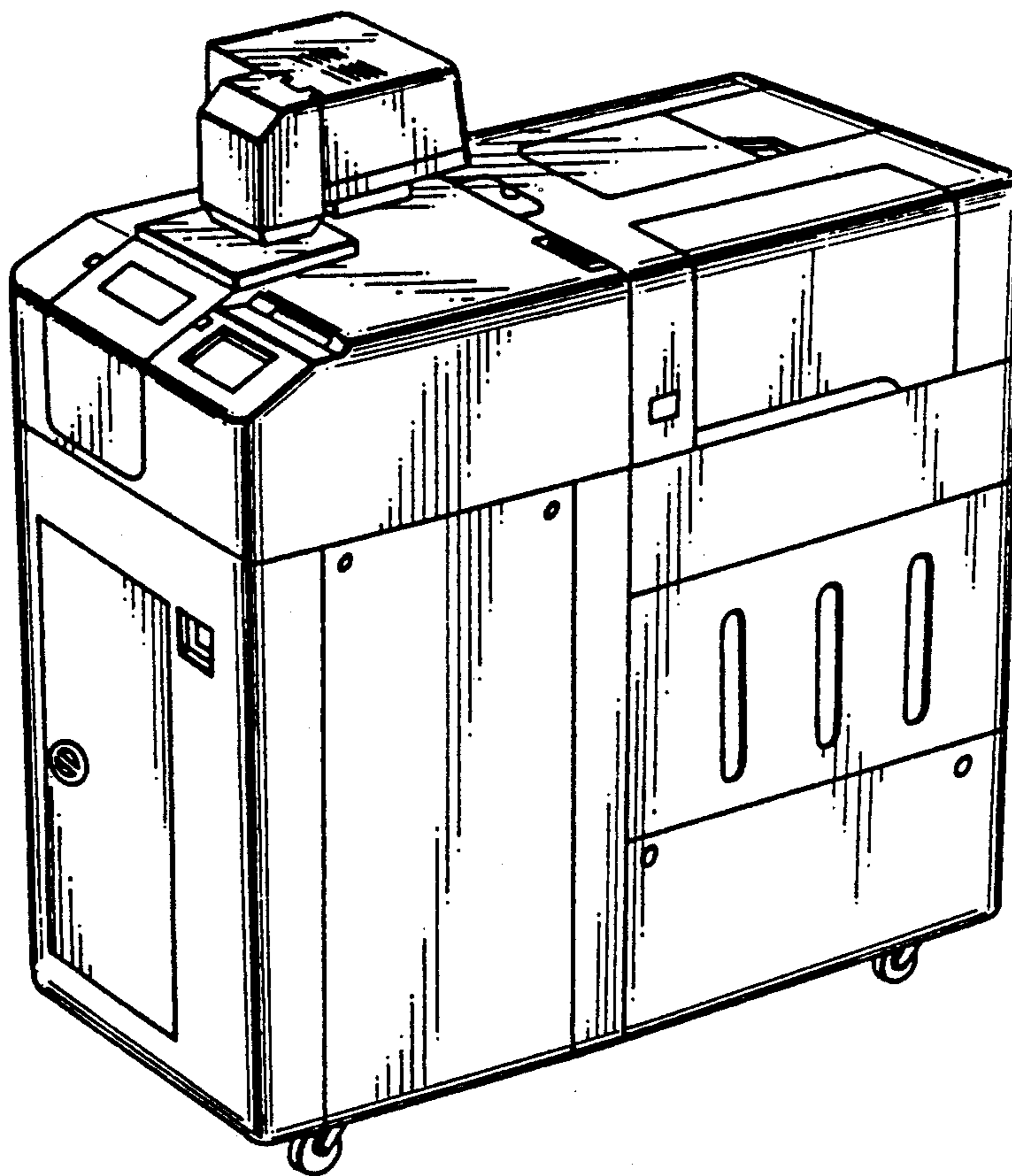


FIG. 2

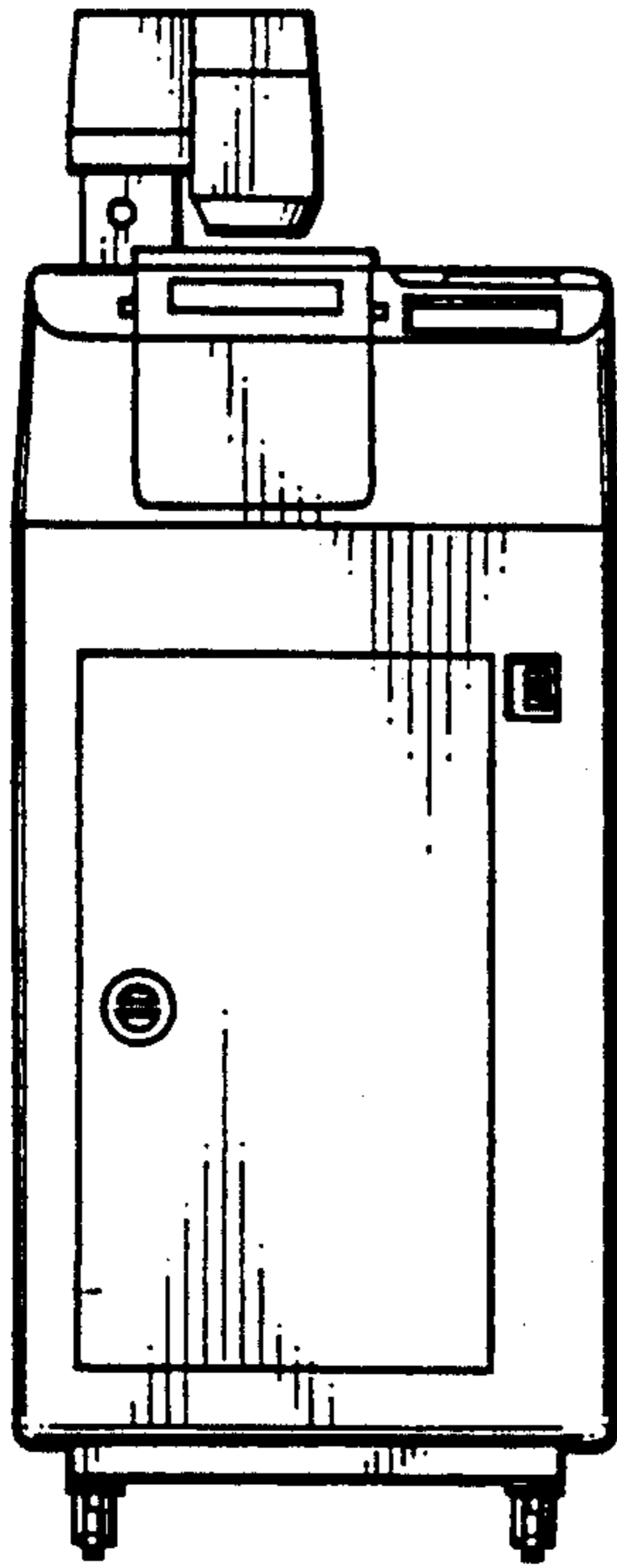


FIG. 3

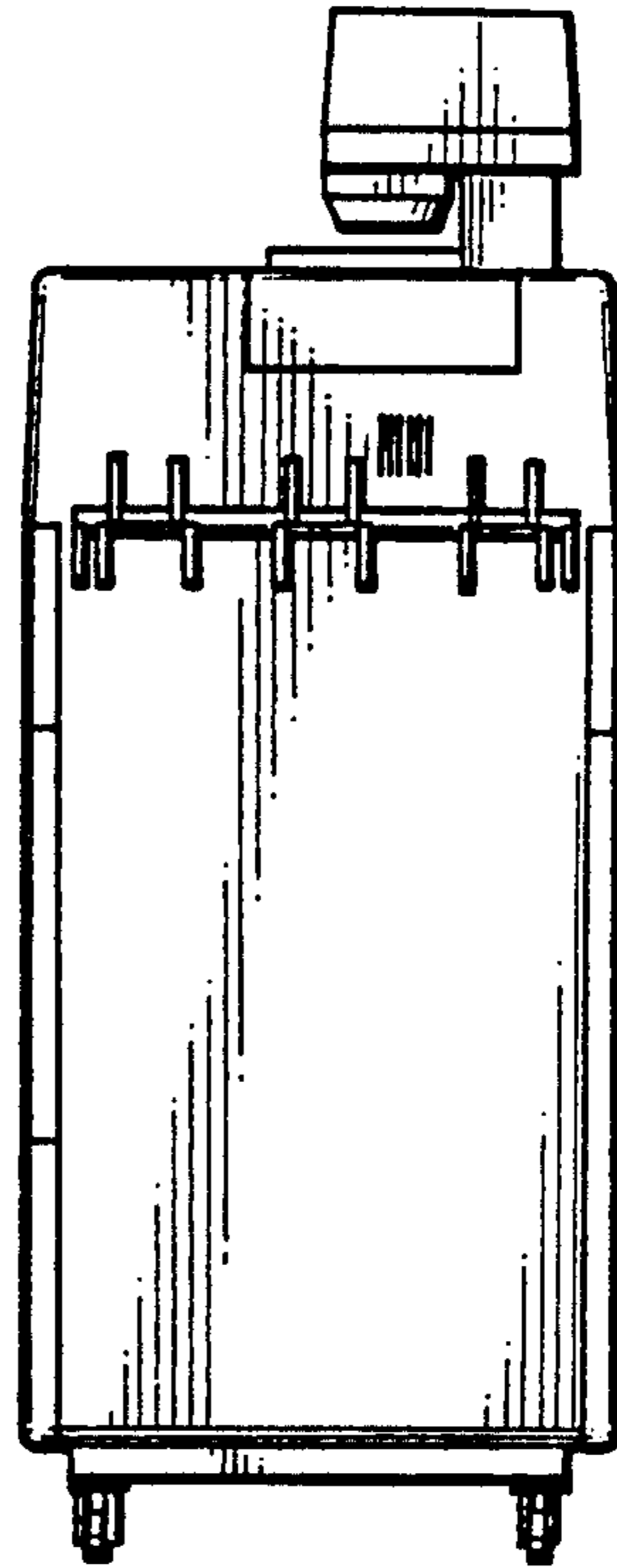


FIG. 4

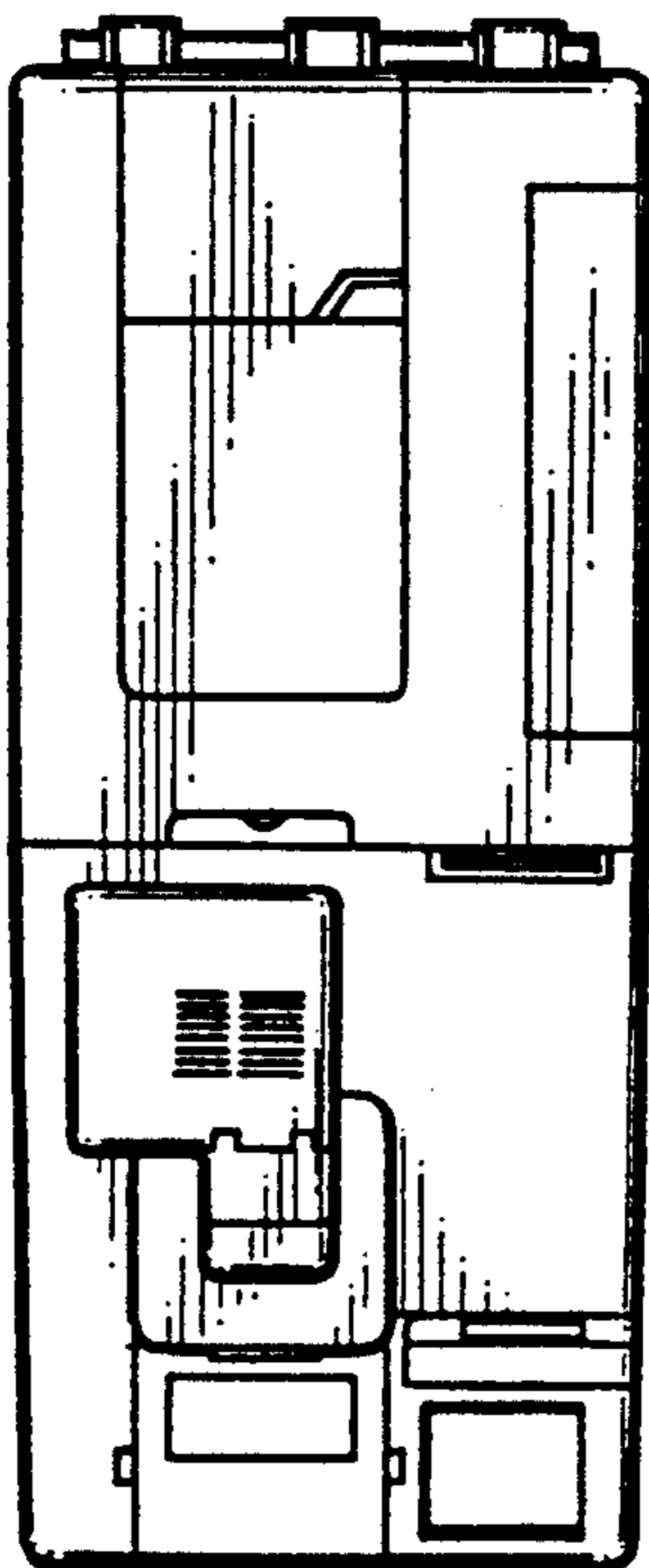


FIG. 5

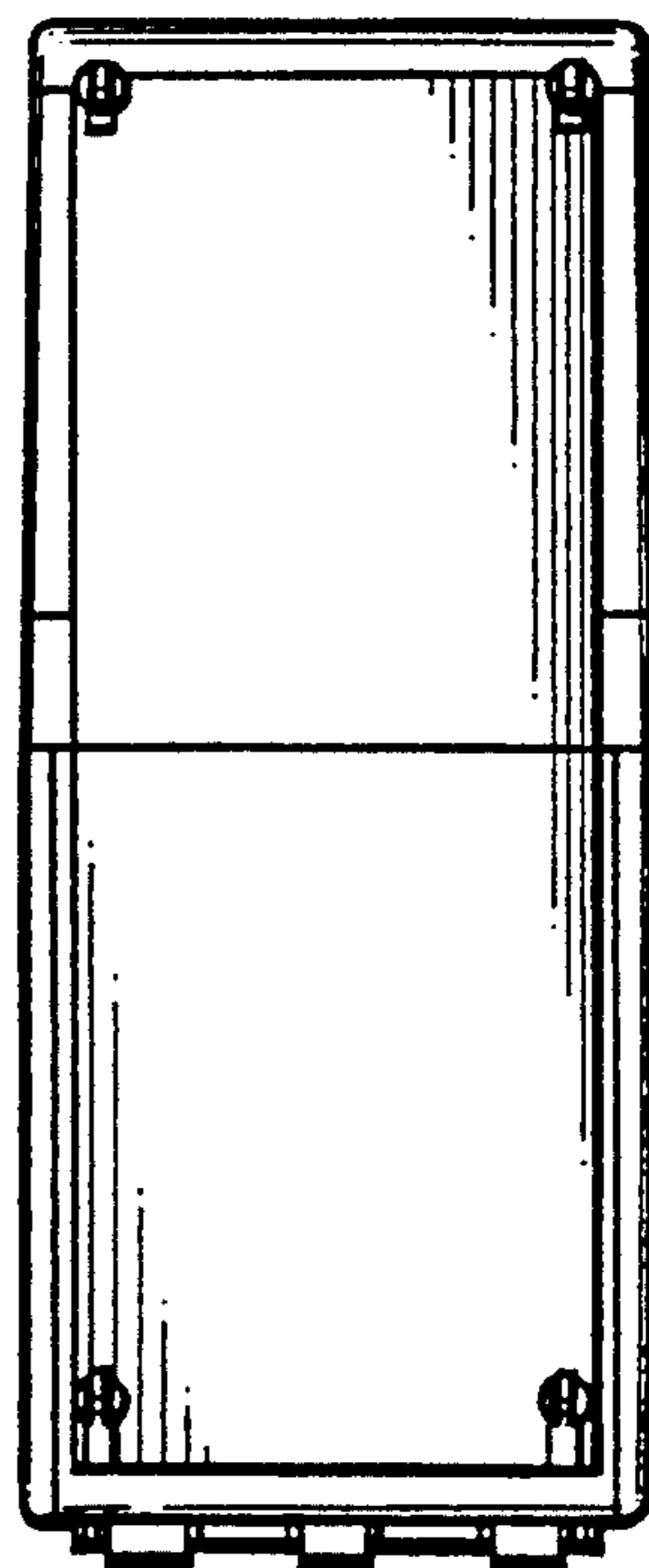


FIG. 6

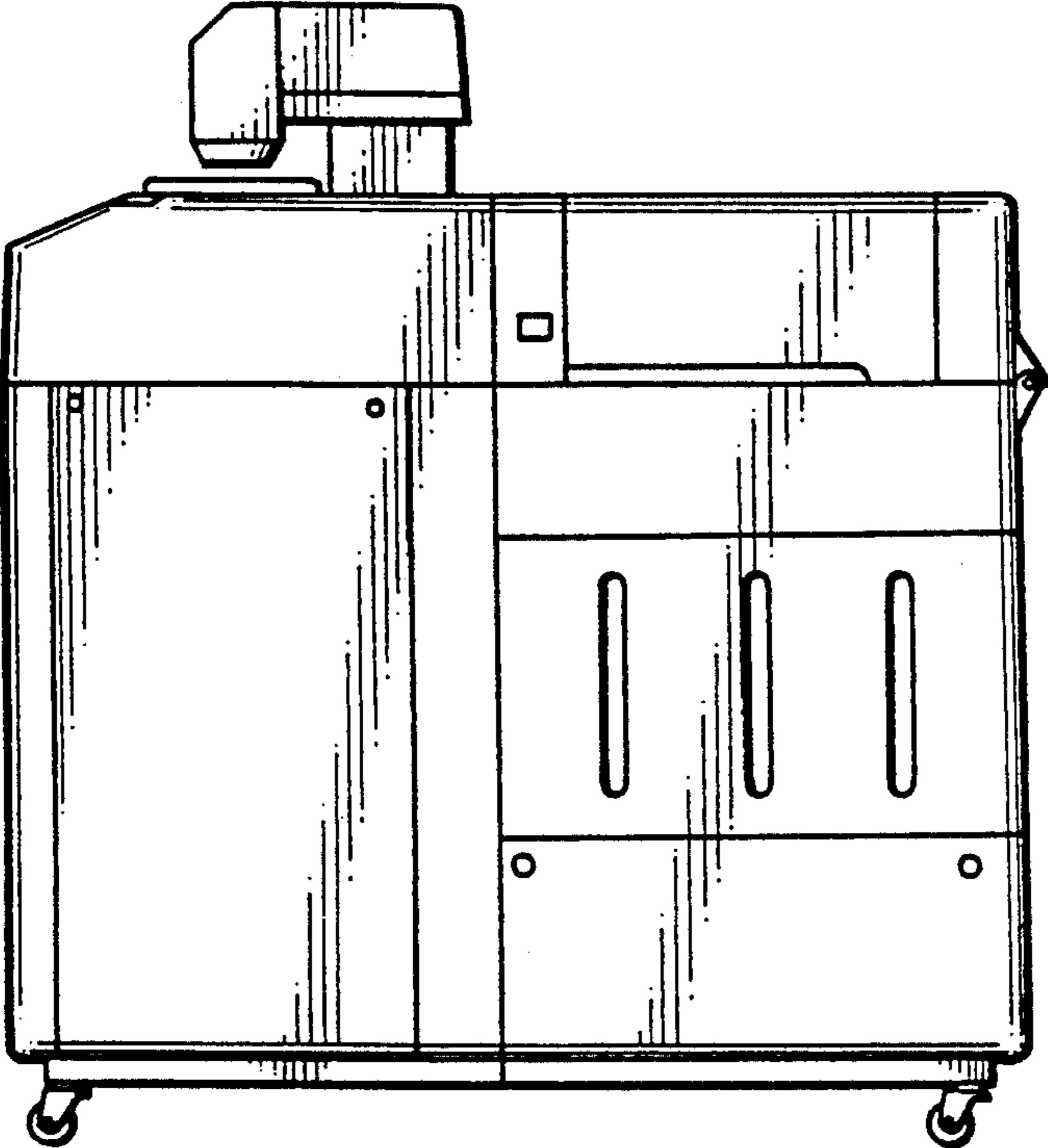


FIG. 7

