

[54] **PUBLIC ADDRESS UNIT**

- [75] **Inventor:** M. Allyson Hilton, Orchard Park, N.Y.
- [73] **Assignee:** The Quaker Oats Company, Chicago, Ill.
- [\*\*] **Term:** 14 Years
- [21] **Appl. No.:** 128,563
- [22] **Filed:** Dec. 4, 1987
- [52] **U.S. Cl. ....** D14/185; D21/111
- [58] **Field of Search ....** D14/114, 124, 185, 186, D14/217, 225, 226, 227, 228, 229, 299; D21/13; 381/82, 83, 84, 85, 91, 122, 168, 169, 158

[56] **References Cited**

**U.S. PATENT DOCUMENTS**

D. 218,897	10/1970	Thompson .....	D14/226
D. 249,571	9/1978	David et al. ....	D21/13
D. 295,224	4/1988	Miyamoto .....	D14/228
3,007,014	10/1961	Bentman .....	381/169
3,562,446	2/1971	Wolf .....	381/169

**OTHER PUBLICATIONS**

Ford Ham Catalog, 1987, p. 99, Microphones.  
Radio Shack Catalog, 1983, p. 48, Realistic Microphones.  
Fordham Radio Catalog, 1987, p. 100, Microphones.  
Music Trades Magazine, Jun. 1987, p. 11, DOD Electronics ad.

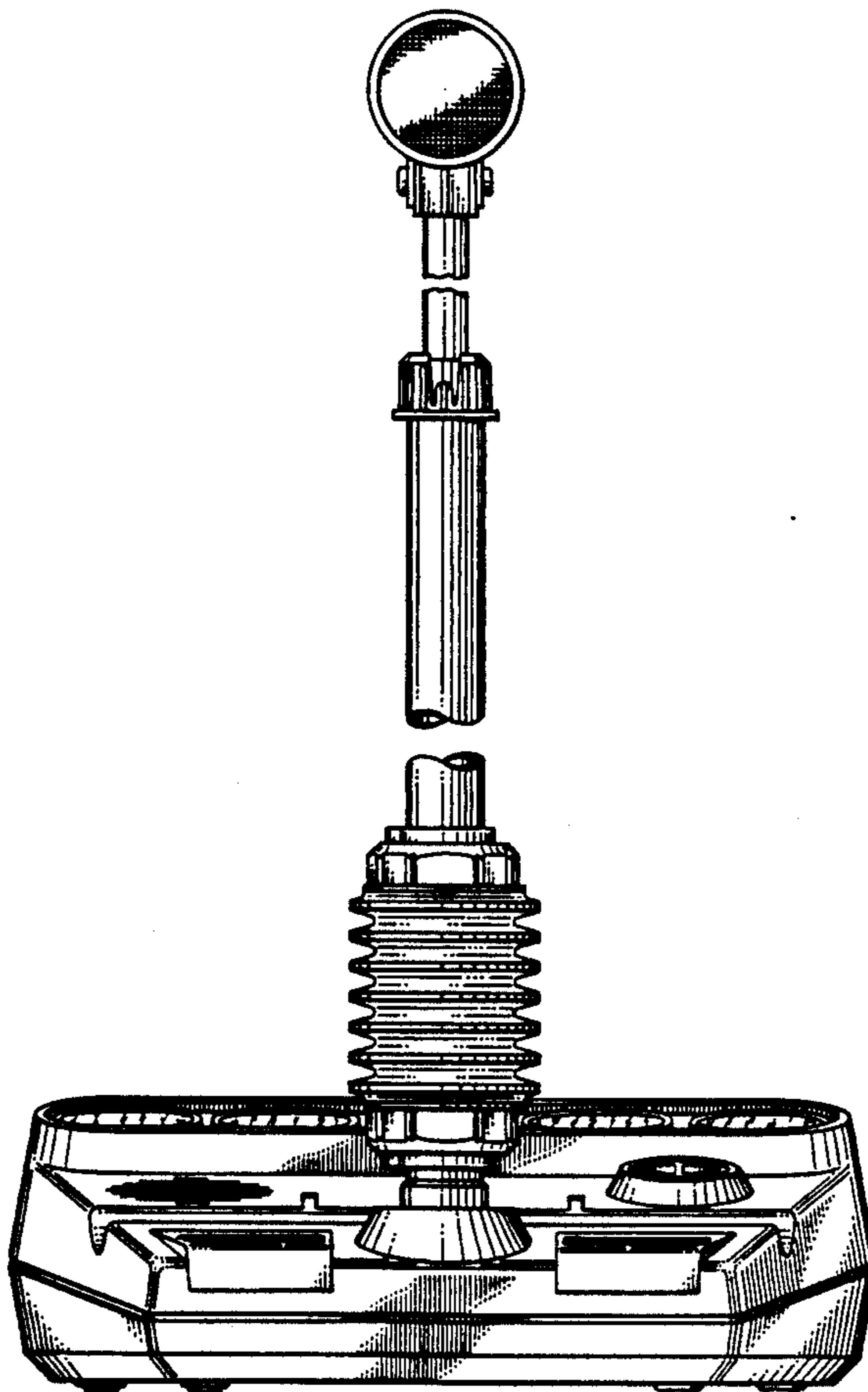
*Primary Examiner*—Bernard Ansher  
*Assistant Examiner*—Philip S. Hyder  
*Attorney, Agent, or Firm*—Cumpston & Shaw

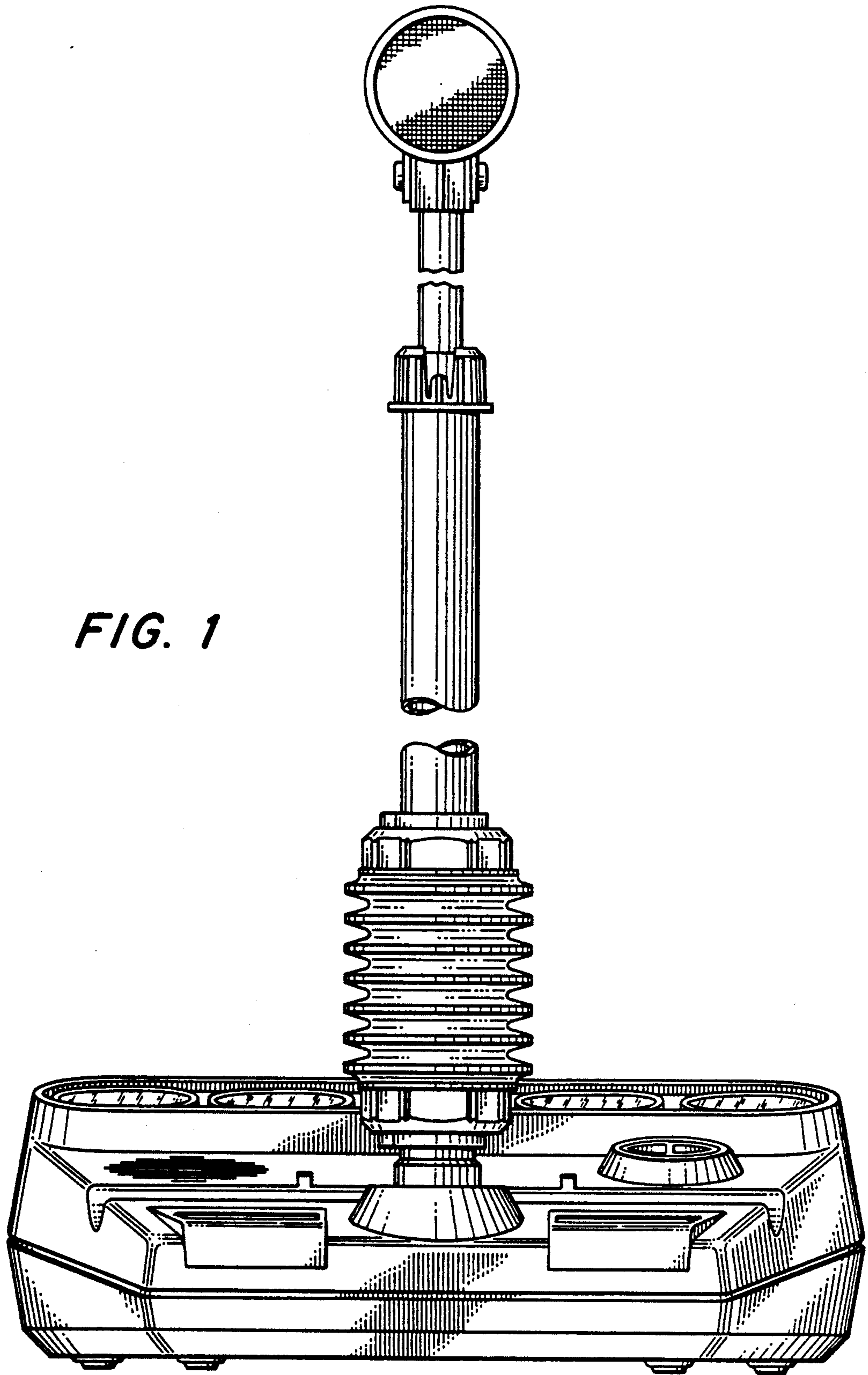
[57] **CLAIM**

The ornamental design for a public address unit, as shown.

**DESCRIPTION**

FIG. 1 is a front elevational view of a public address unit showing my new design;  
FIG. 2 is a top plan view thereof;  
FIG. 3 is a right-side elevational view thereof;  
FIG. 4 is a left-side elevational view thereof;  
FIG. 5 is a rear elevational view thereof; and  
FIG. 6 is a bottom plan view.





*FIG. 1*

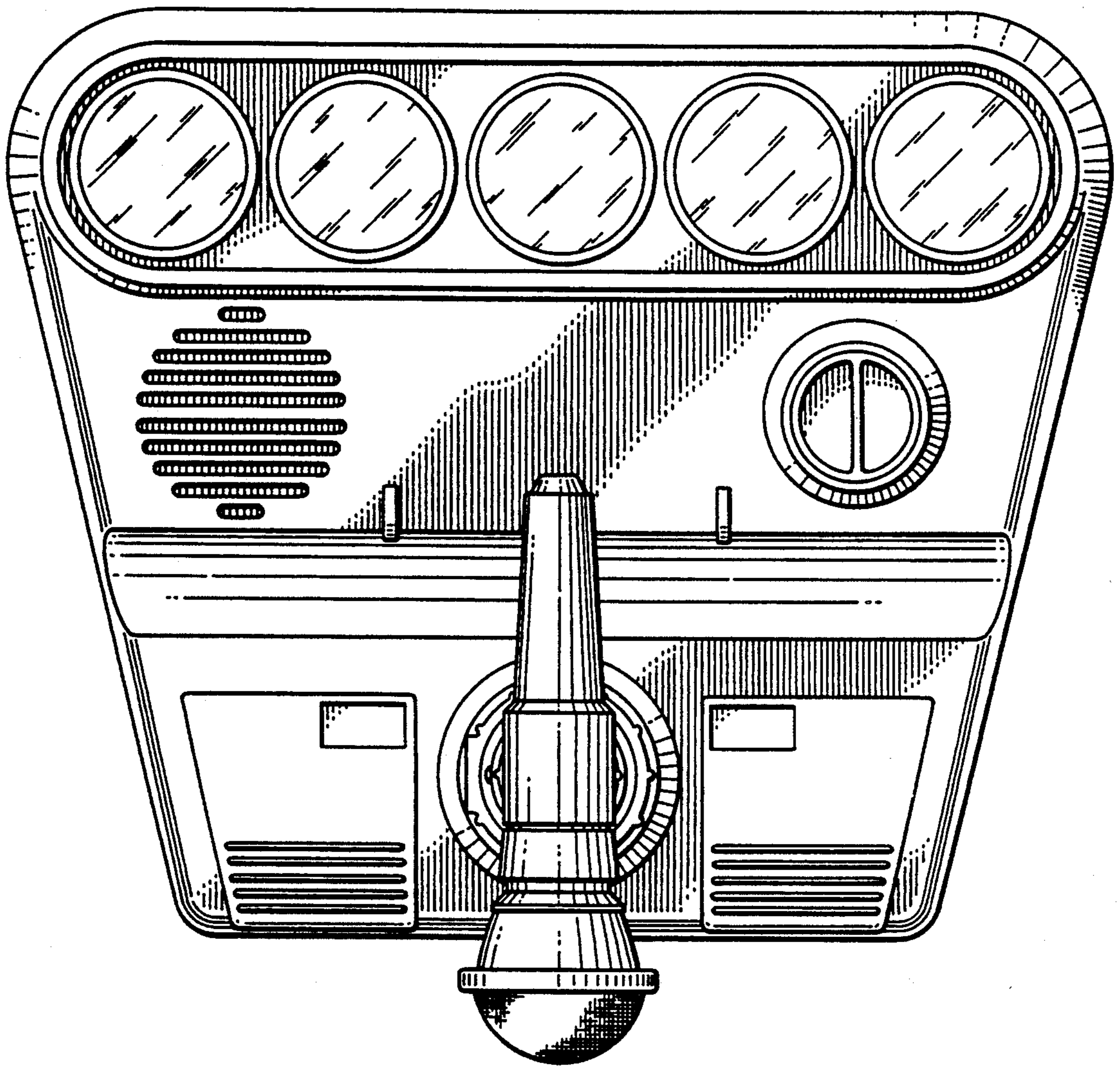
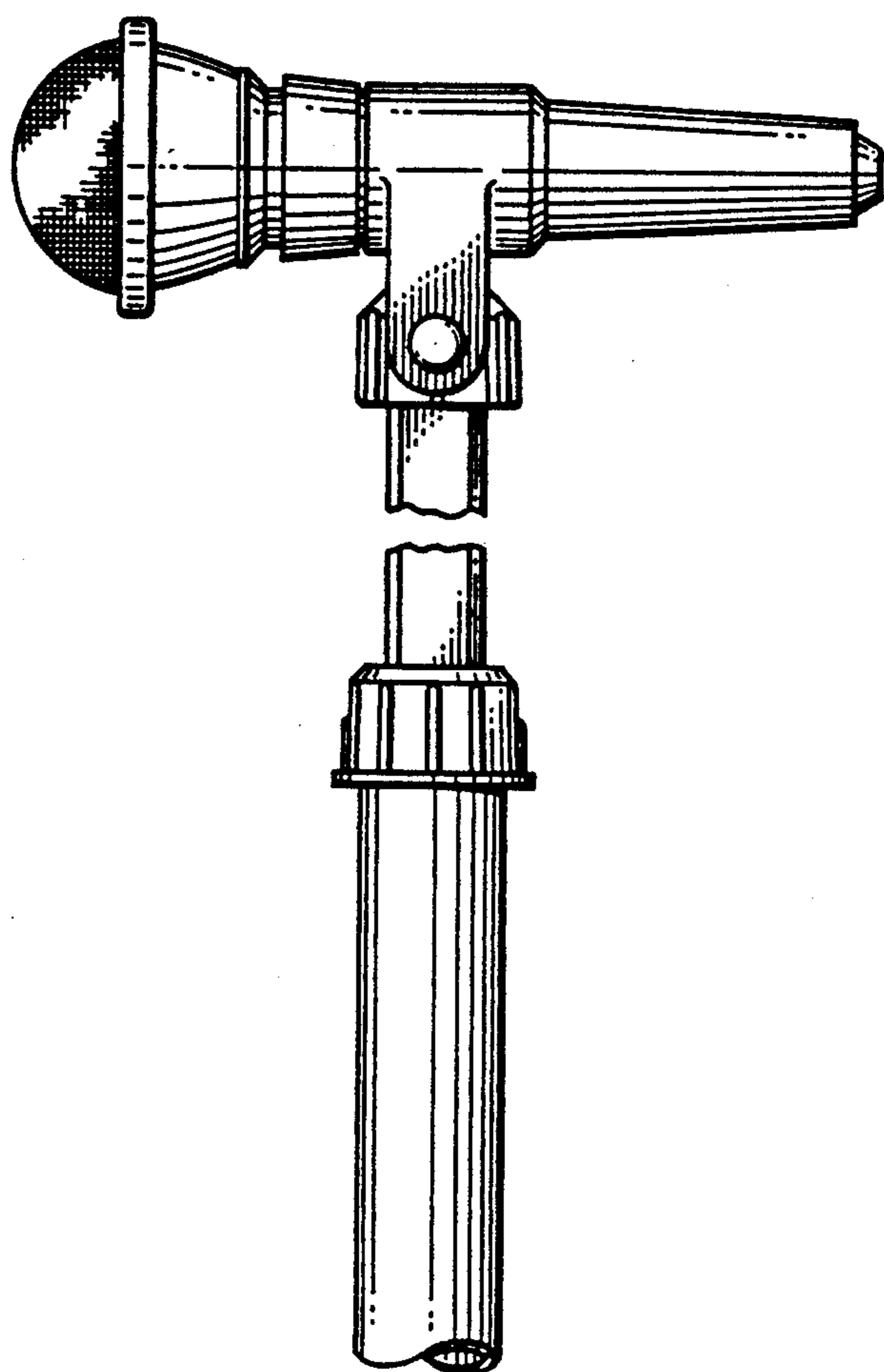
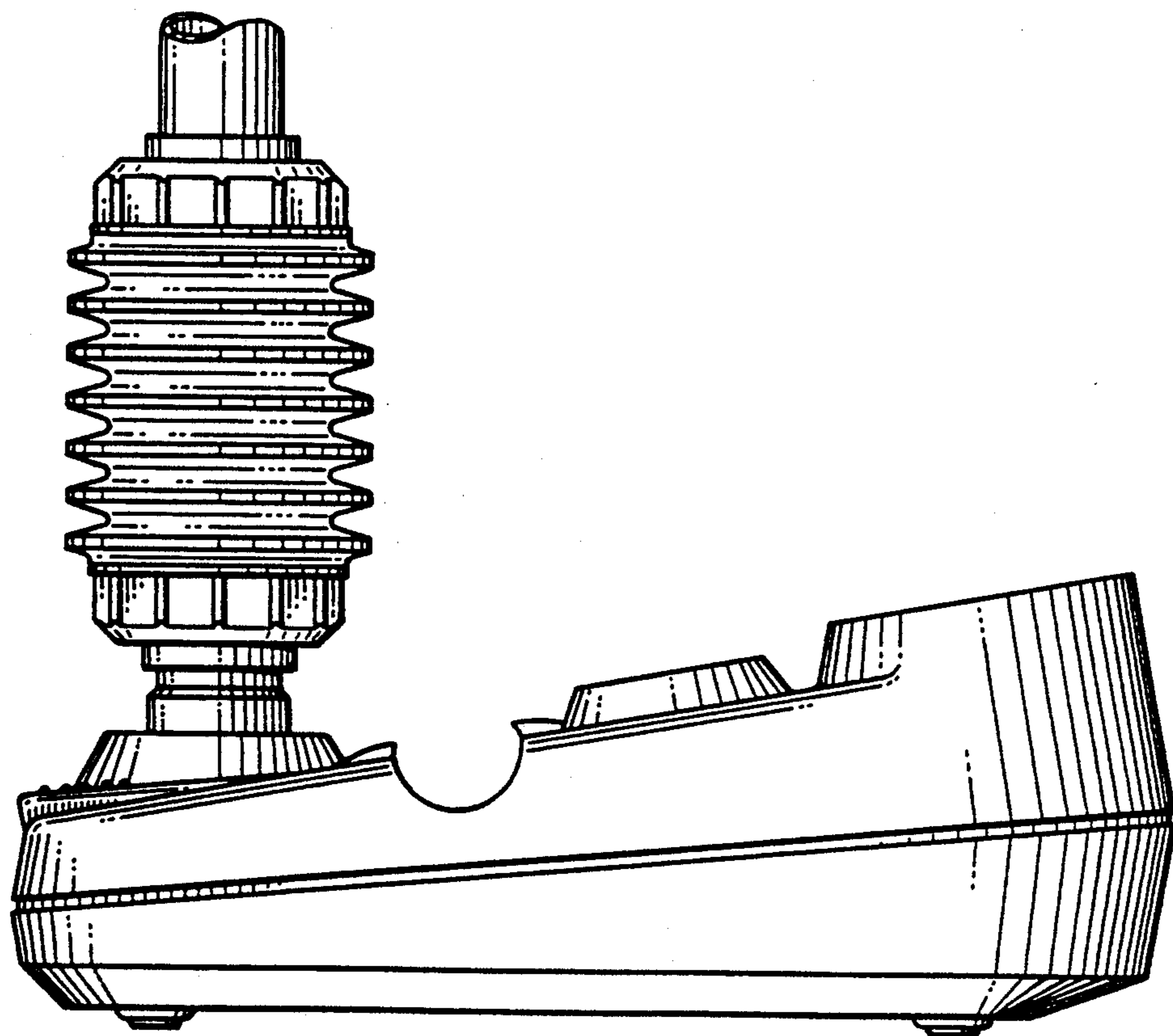
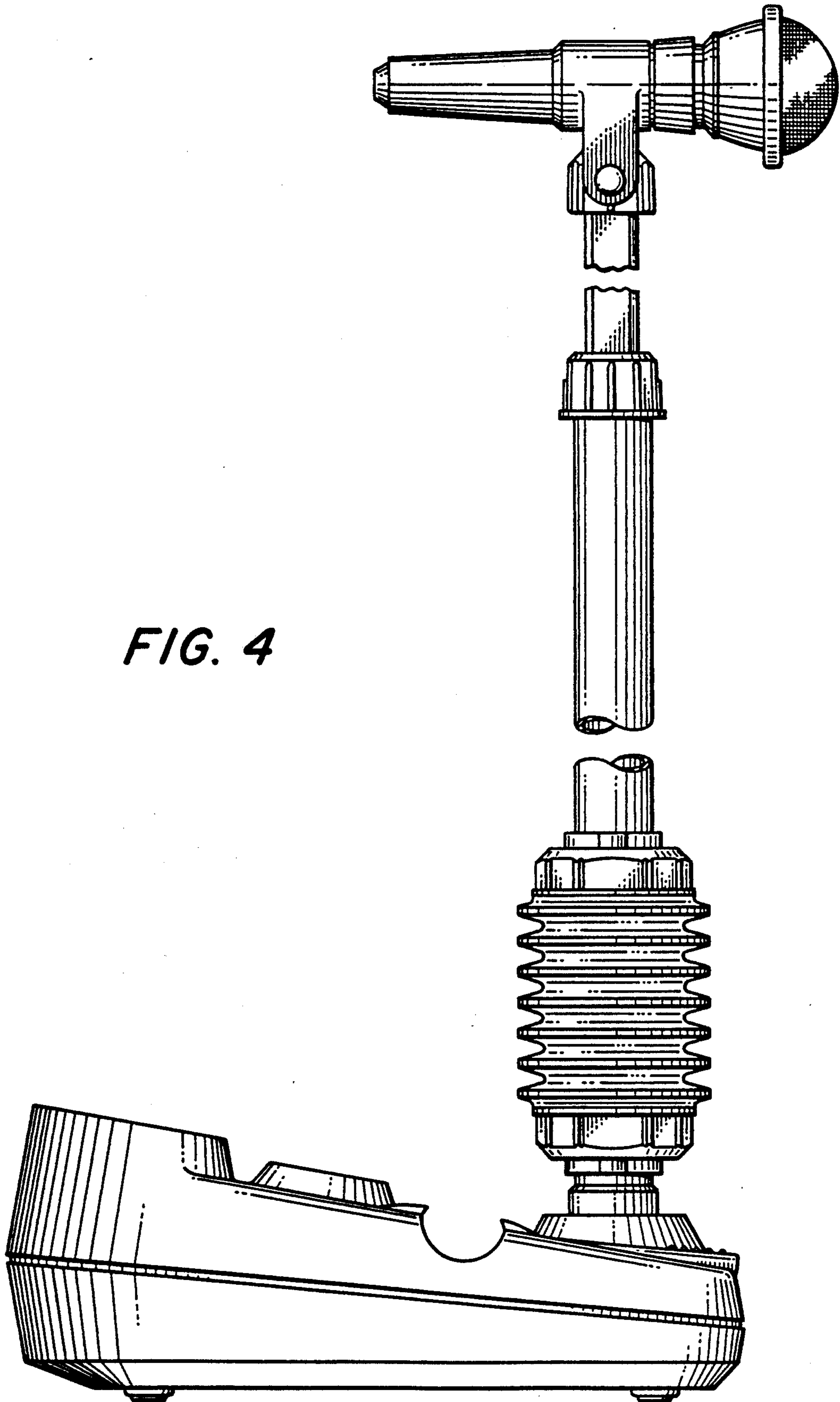


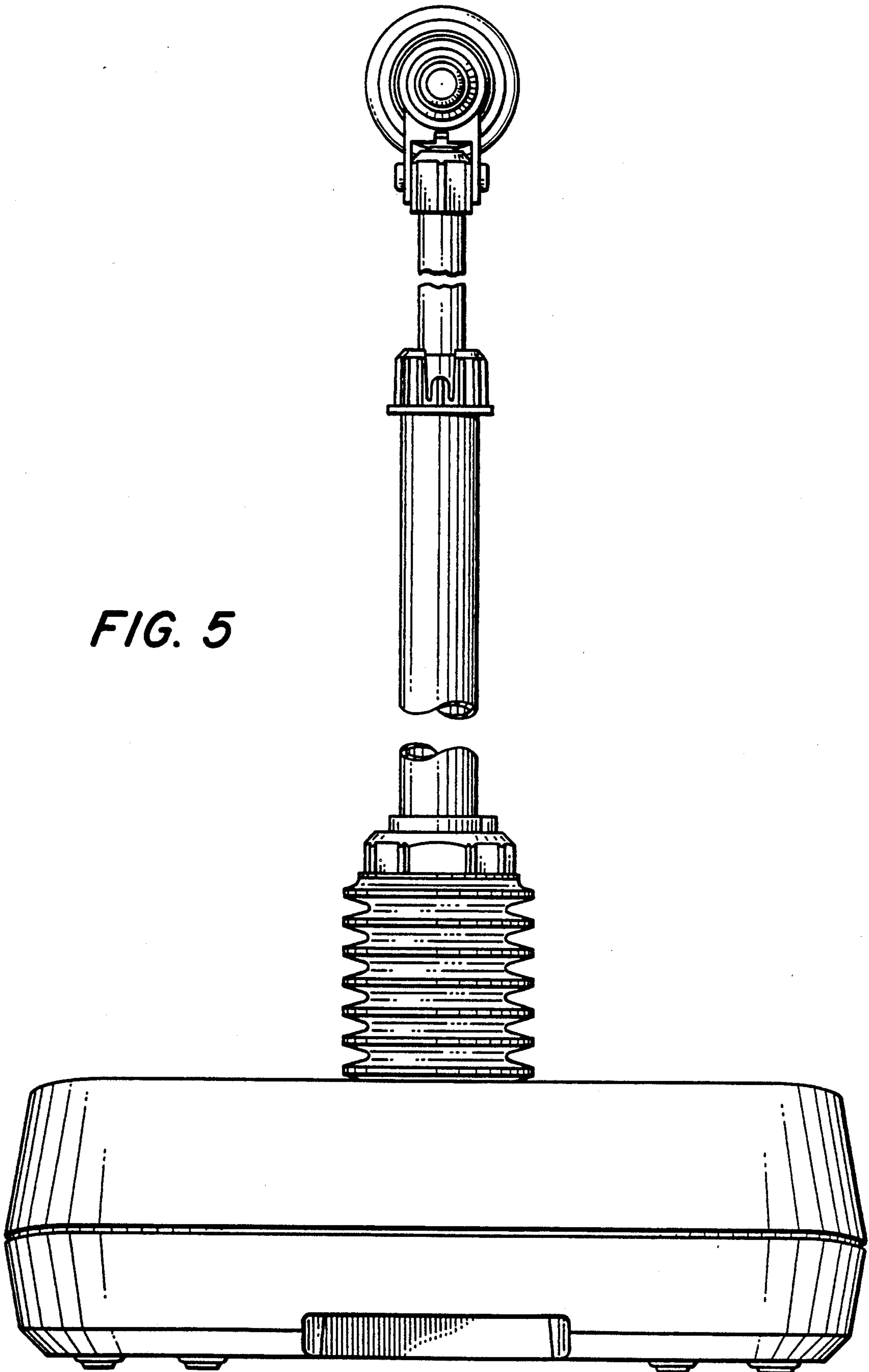
FIG. 2



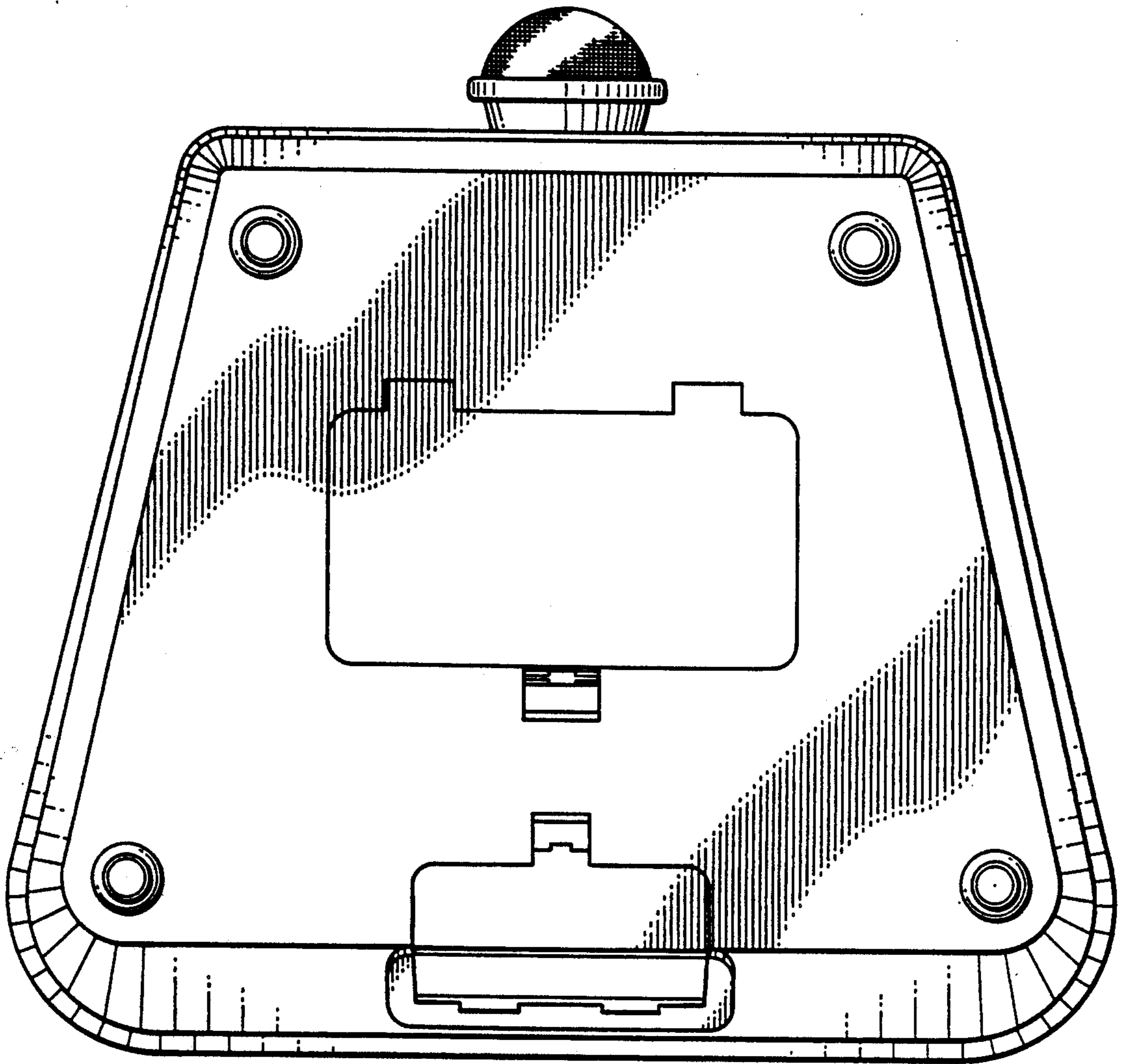
*FIG. 3*







*FIG. 5*



**FIG. 6**