

[54] **PORTABLE TELEVISION SET**

[75] **Inventors:** Akihiro Miyahara, Kunitachi; Hiroshi Nakatsuka, Kokubunji; Asao Sasaki, Fussa, all of Japan

[73] **Assignee:** Casio Computer Co., Ltd., Tokyo, Japan

[**] **Term:** 14 Years

[21] **Appl. No.:** 231,541

[22] **Filed:** Aug. 11, 1988

[30] **Foreign Application Priority Data**

May 6, 1988 [JP]	Japan	63-17979
May 6, 1988 [JP]	Japan	63-17978
May 10, 1988 [JP]	Japan	63-18383
May 10, 1988 [JP]	Japan	63-18382

[52] **U.S. Cl.** D14/126

[58] **Field of Search** D14/125-134, D14/113, 299; 358/254, 255; 312/7.2

[56] **References Cited**

U.S. PATENT DOCUMENTS

D. 281,244	11/1985	Ohtsu	D14/126
D. 289,047	3/1987	Suzuki et al.	D14/132
D. 294,699	3/1988	Ohzu	D14/126
D. 294,700	3/1988	Sakuta	D14/126
D. 300,633	4/1989	Makino et al.	D14/131
4,639,225	1/1987	Mashizuka	358/254 X

OTHER PUBLICATIONS

HFD; 12/7/87; p. 99; top right-Sharp LCD TV.

HFD; 6/6/88; p. 120; left-Casio Color LCD TV.

Primary Examiner—Theodore M. Shooman
Attorney, Agent, or Firm—Frishauf, Holtz, Goodman & Woodward

[57] **CLAIM**

The ornamental design for a portable television set, as shown.

DESCRIPTION

FIG. 1 is a front elevational view of a portable television set showing our new design; FIG. 2 is a top plan view thereof; FIG. 3 is a right side elevational view thereof; FIG. 4 is a left side elevational view thereof; FIG. 5 is a bottom plan view thereof; FIG. 6 is a rear elevational view thereof; FIG. 7 is a top, front and right side perspective view thereof; FIG. 8 is a front elevational view of a second embodiment of the portable television set illustrated in FIG. 1; FIG. 9 is a top plan view of the embodiment disclosed in FIG. 8; FIG. 10 is a right side elevational view of the embodiment disclosed in FIG. 8; FIG. 11 is a left side elevational view of the embodiment disclosed in FIG. 8; FIG. 12 is a bottom plan view of the embodiment disclosed in FIG. 8; FIG. 13 is a rear elevational view of the embodiment disclosed in FIG. 8; and FIG. 14 is a top, front and right side perspective view of the embodiment disclosed in FIG. 8.

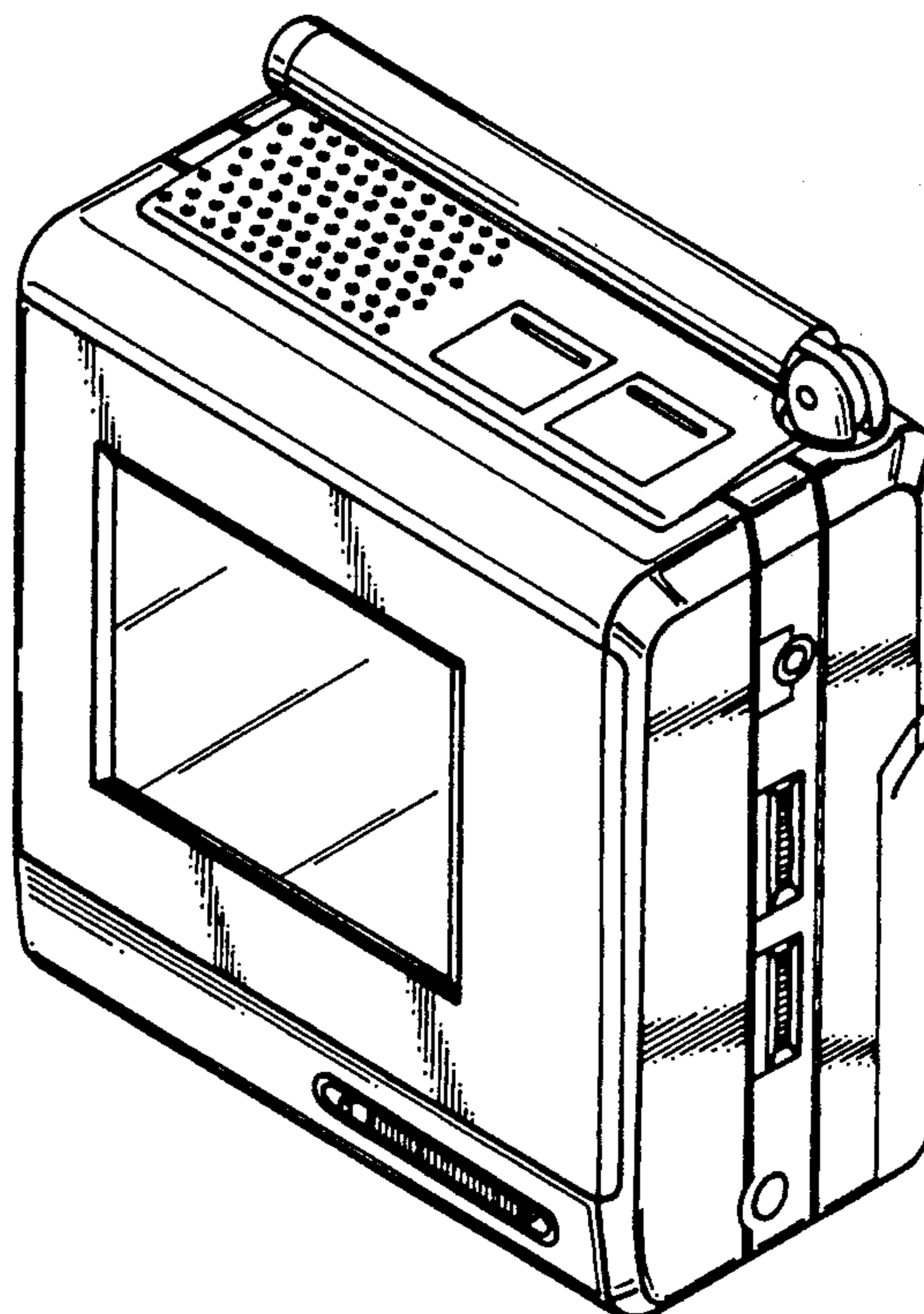
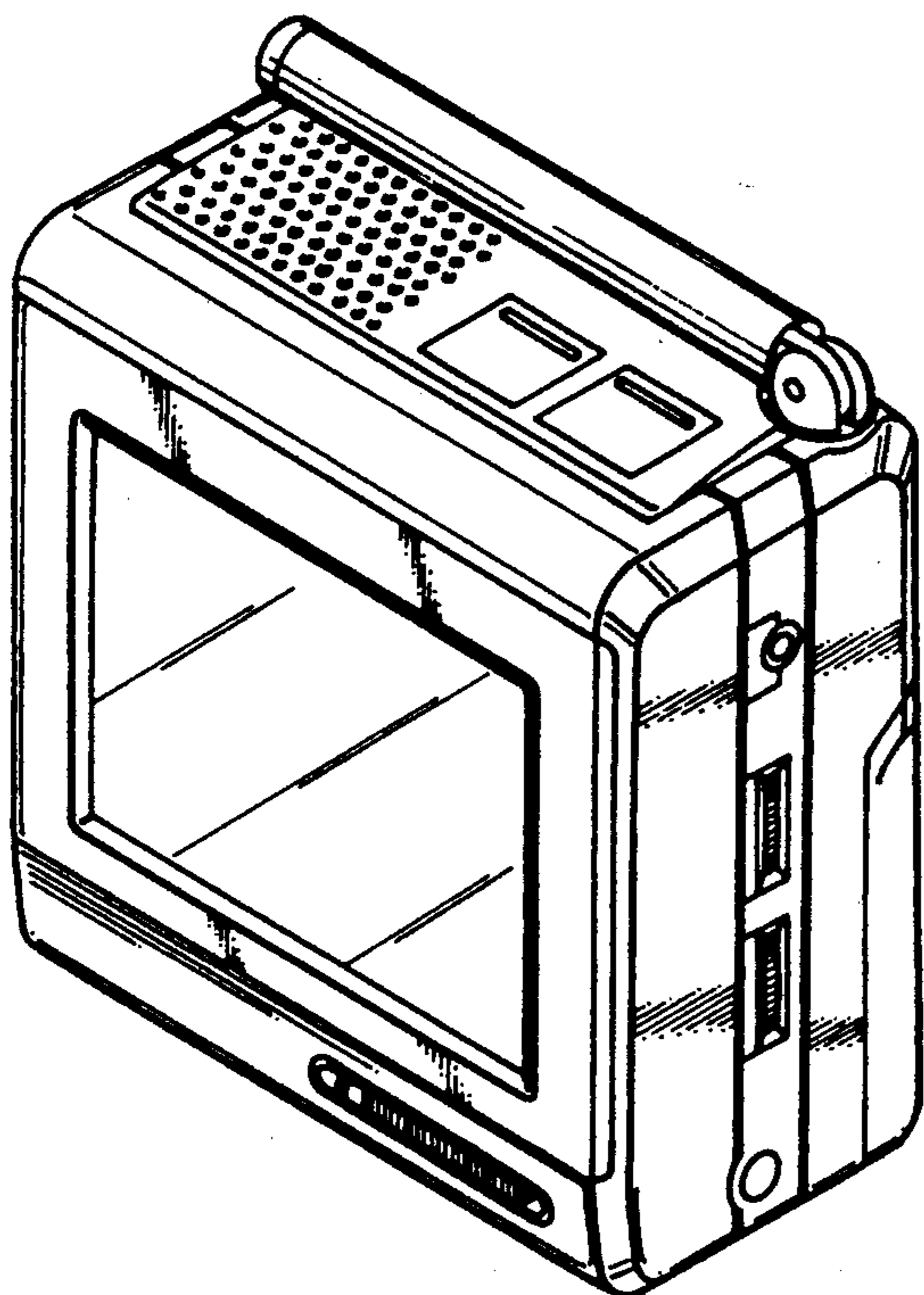


FIG. 2

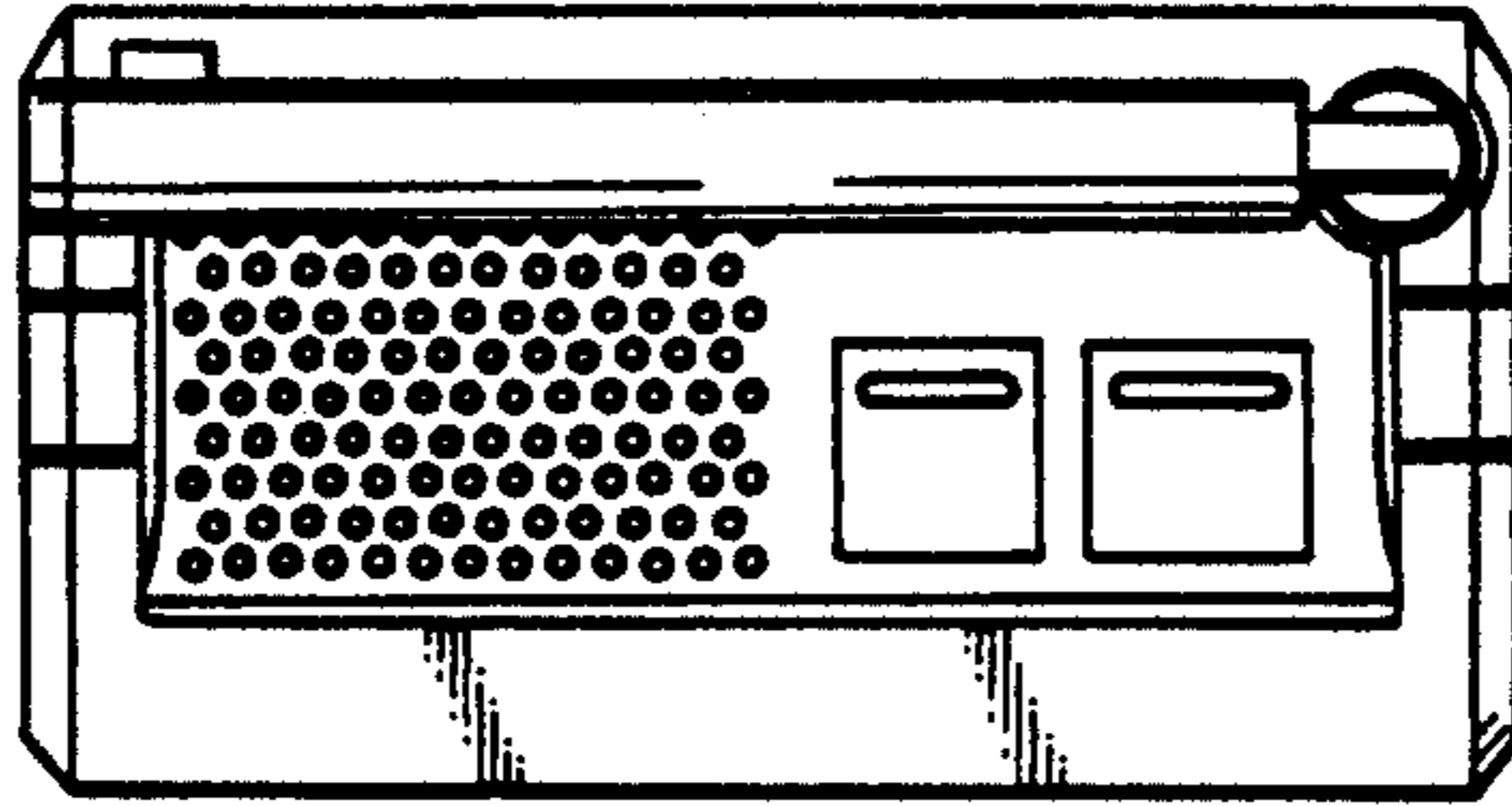


FIG. 4

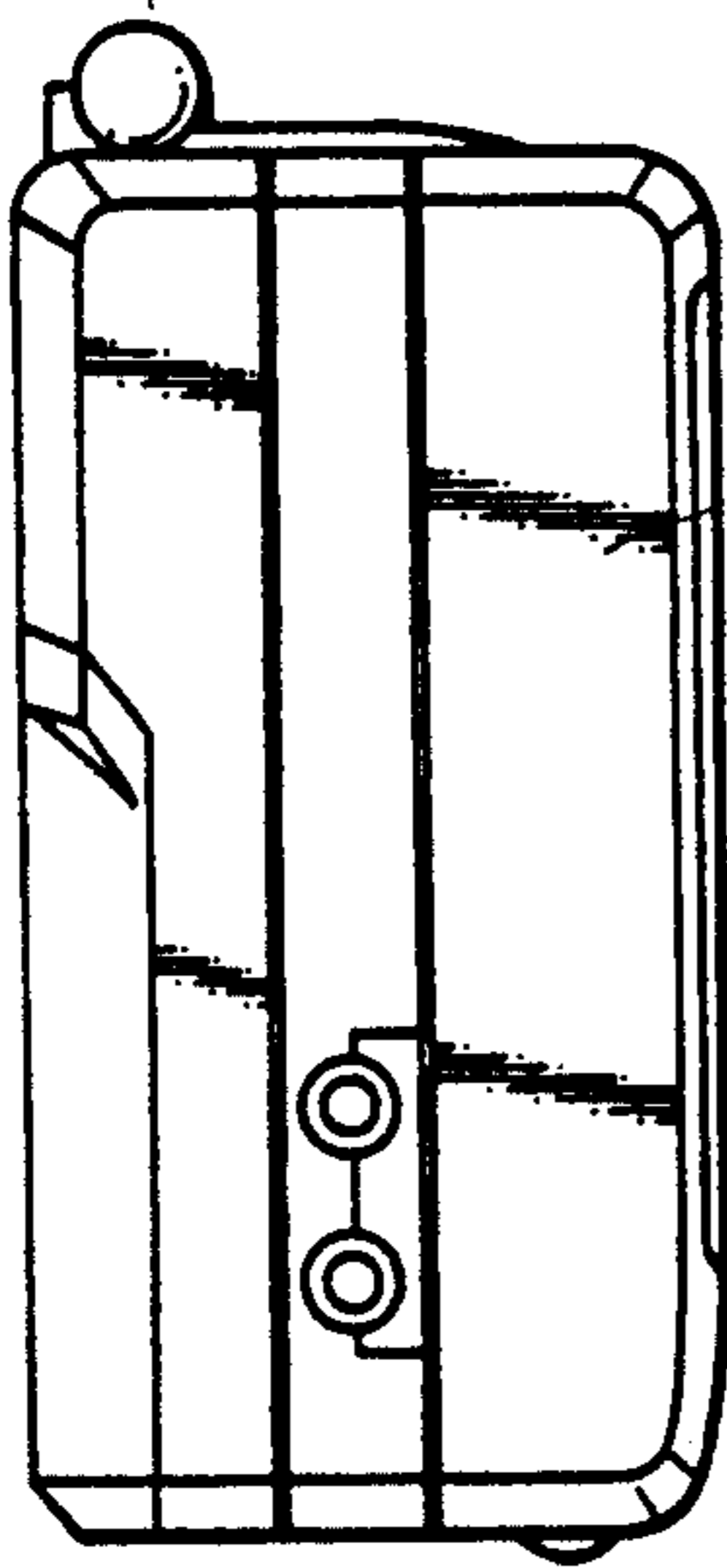


FIG. 1

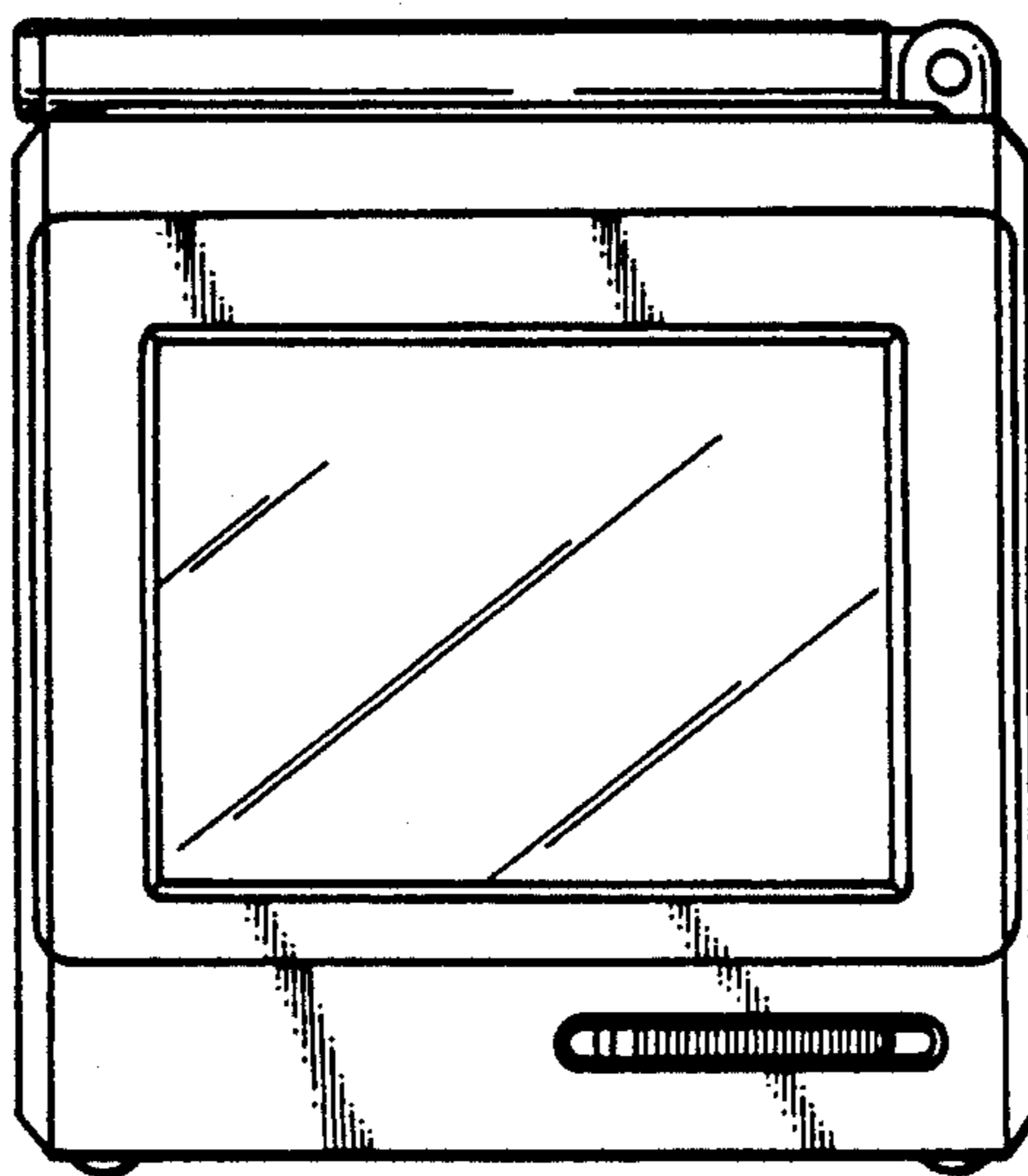


FIG. 3

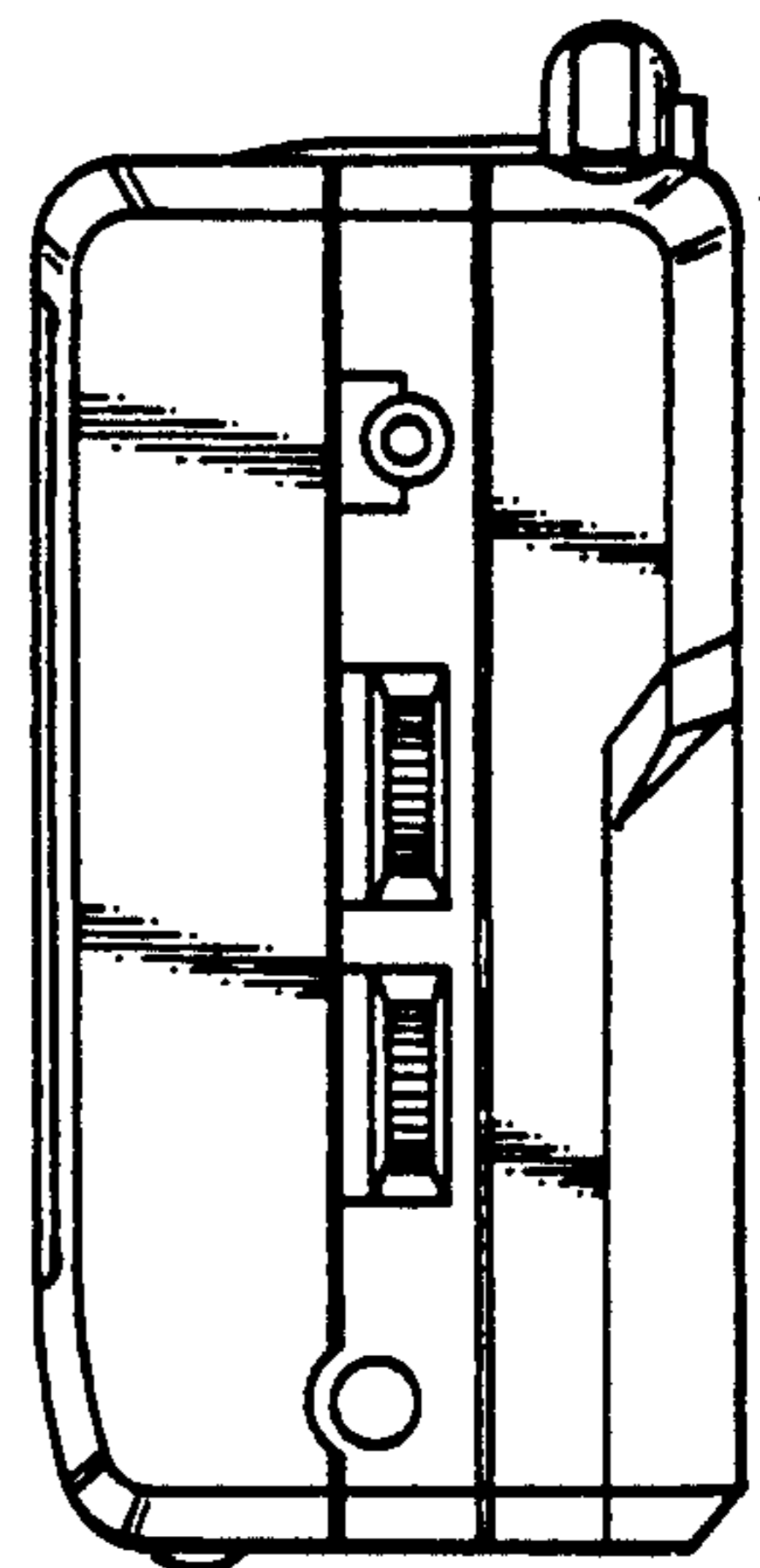


FIG. 5

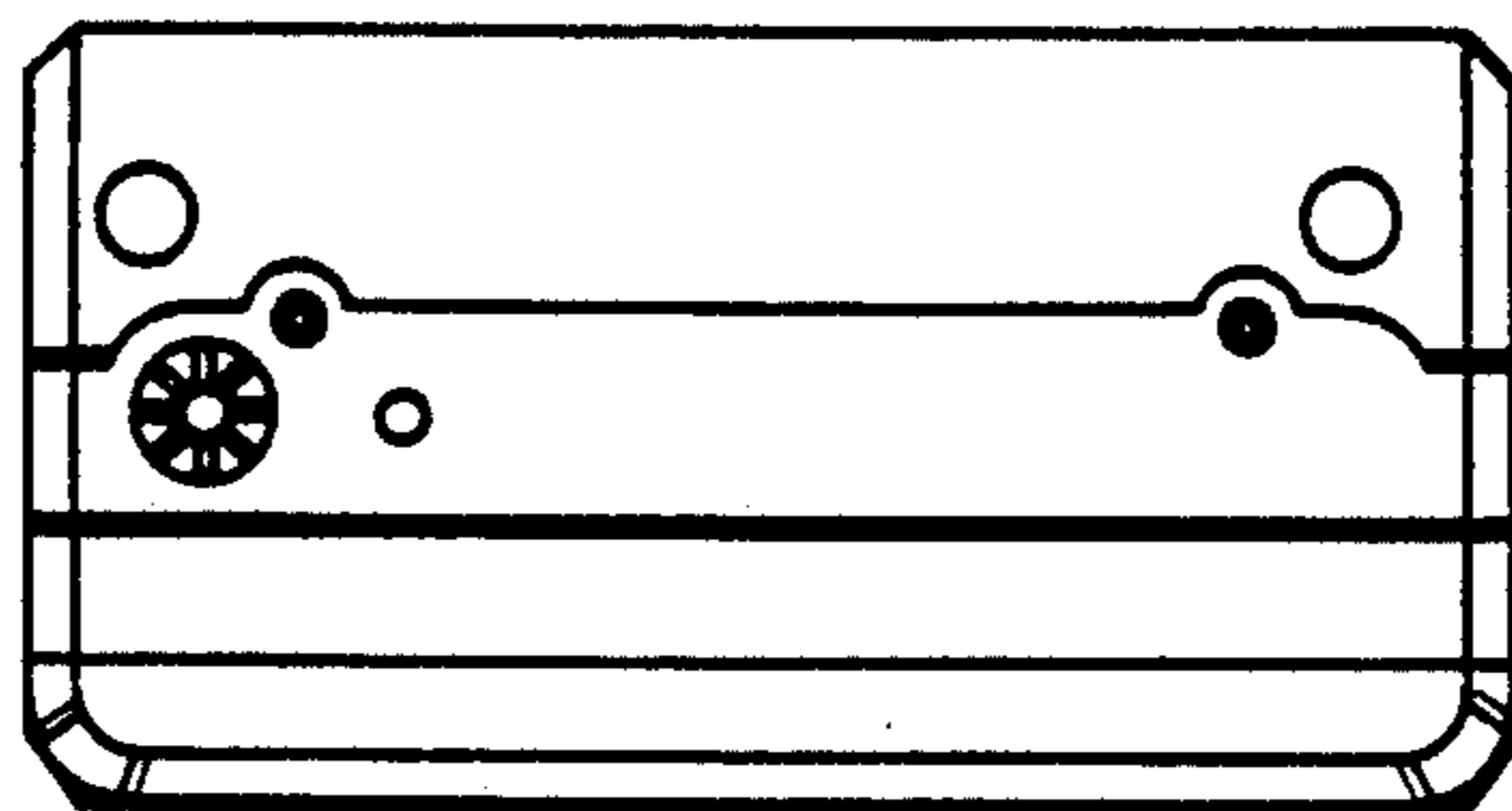


FIG. 6

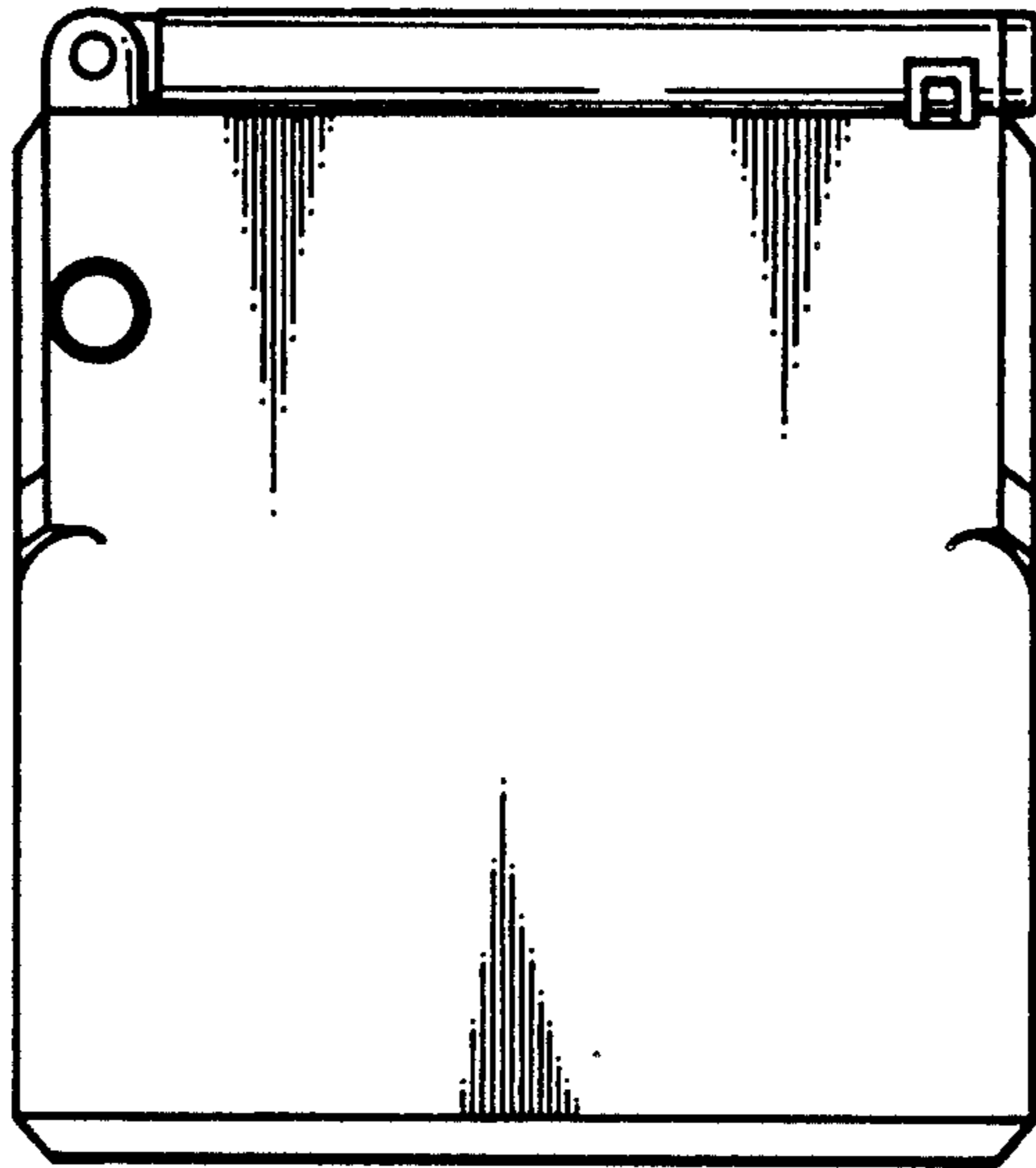


FIG. 7

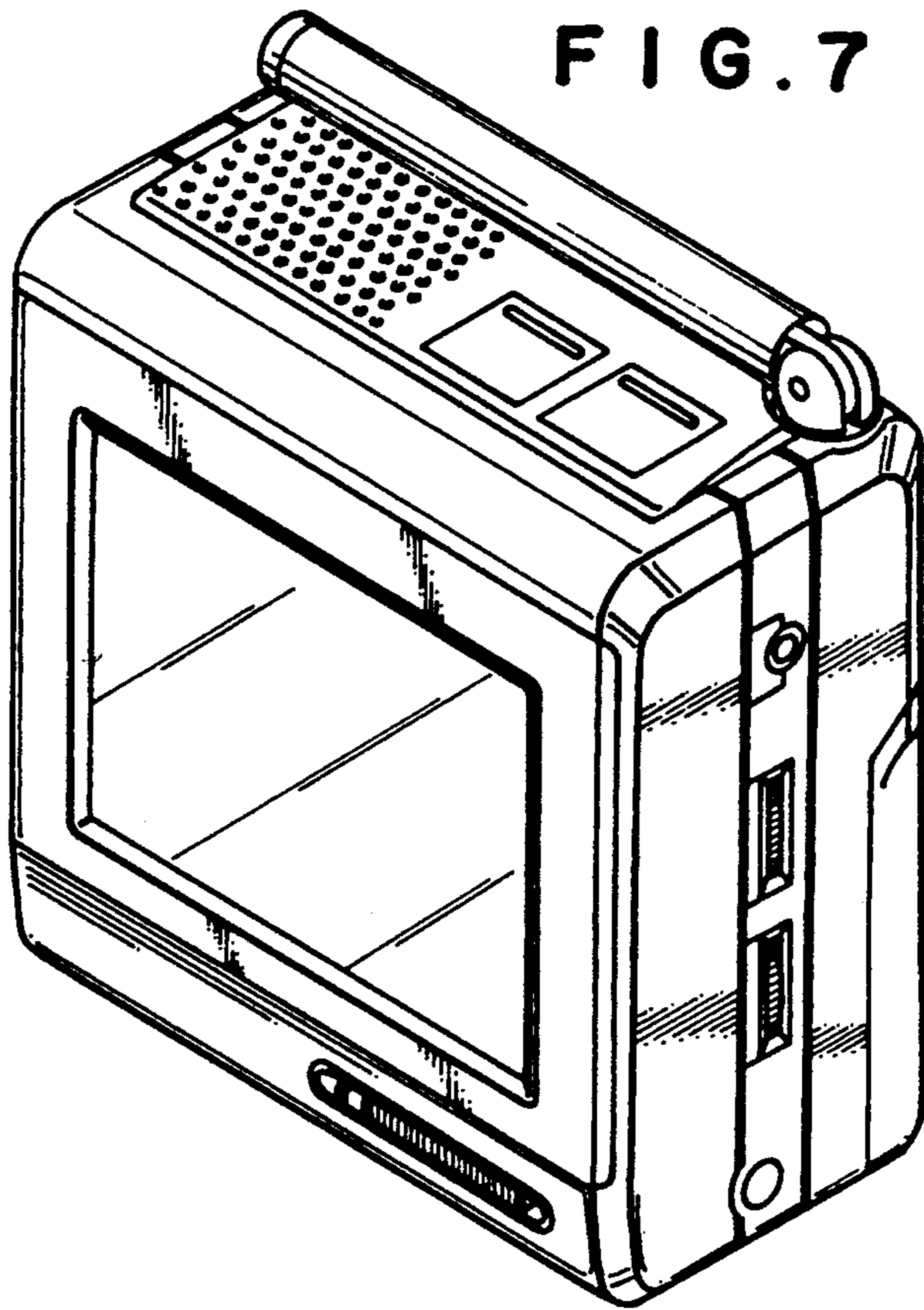


FIG. 9

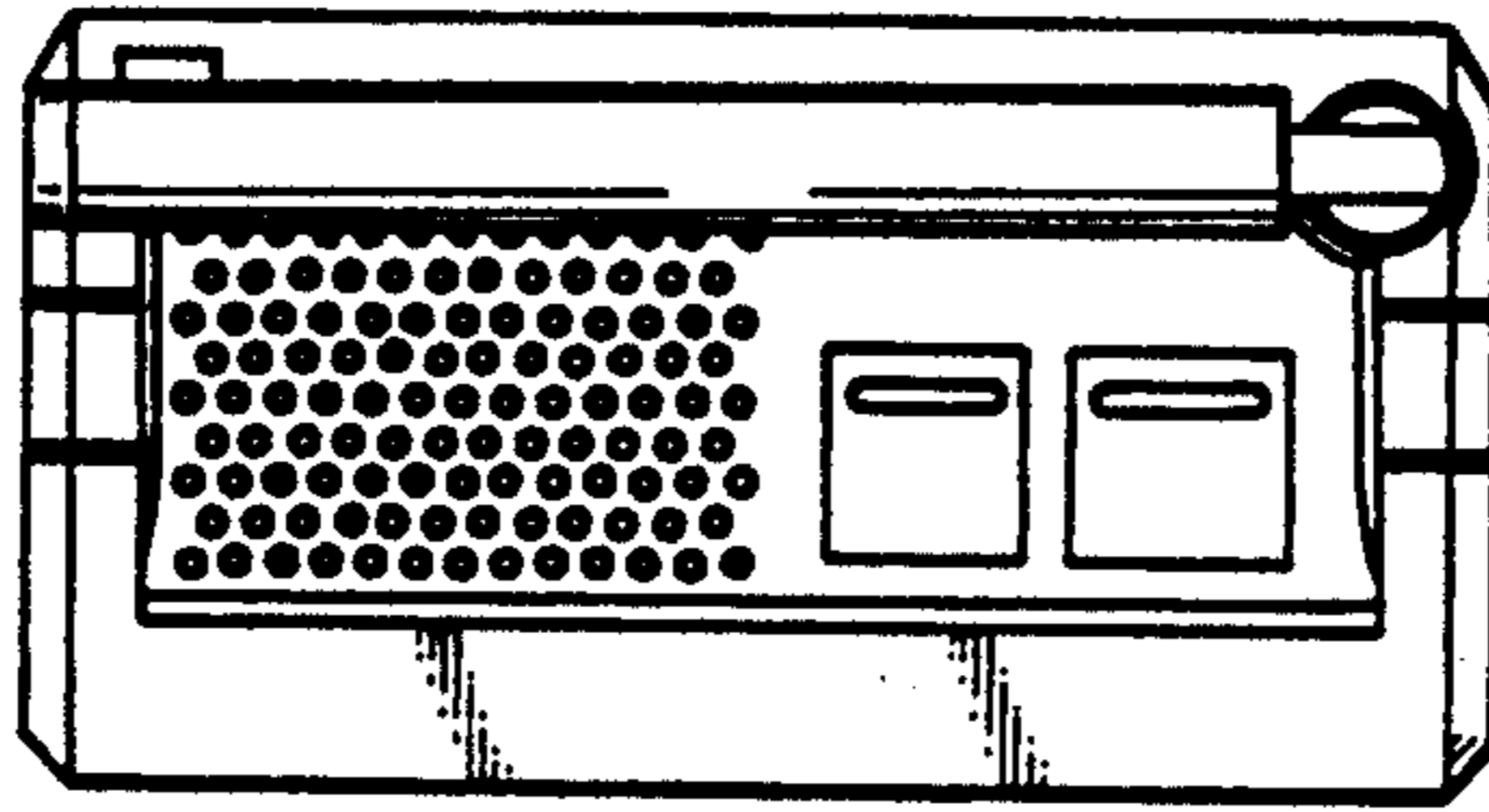


FIG. 11

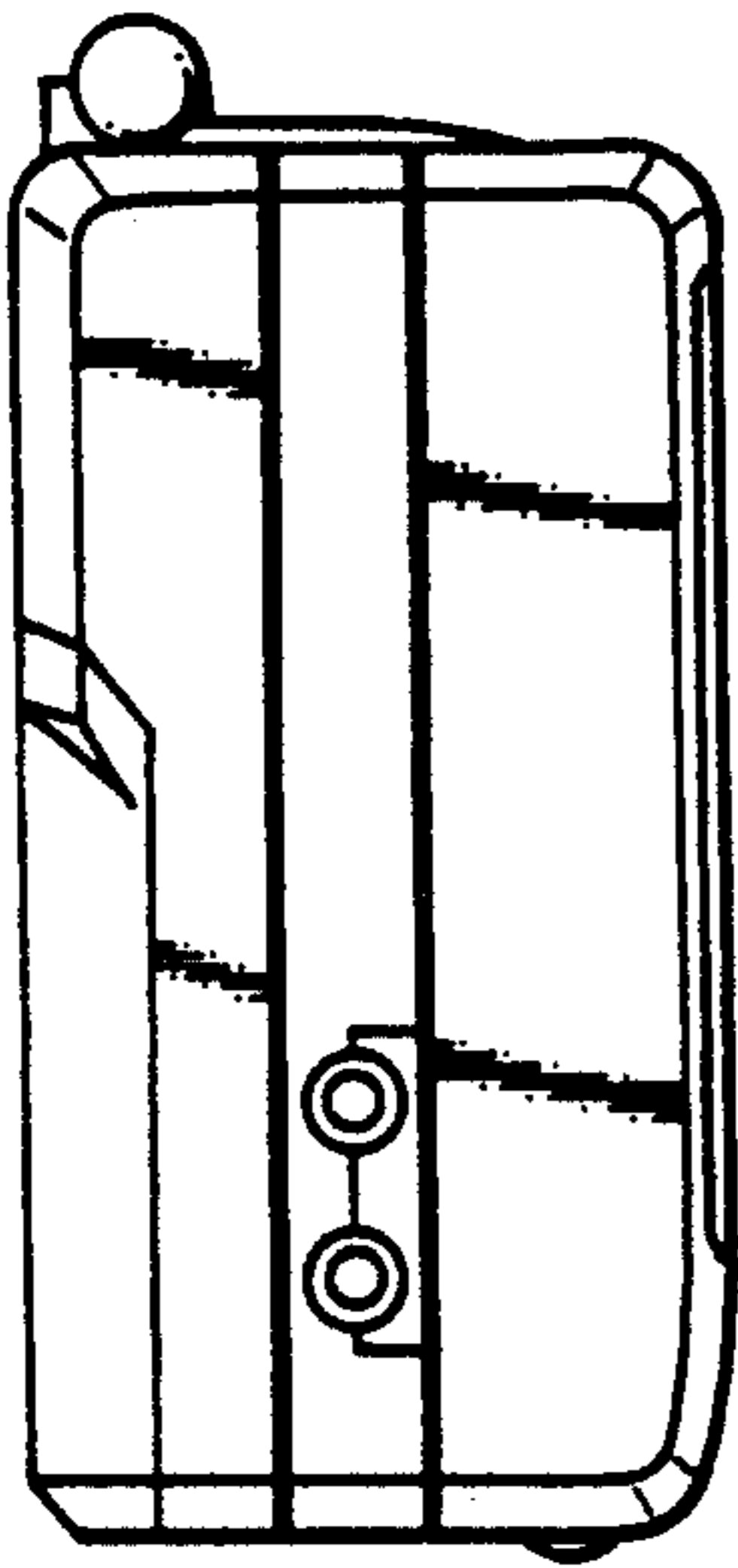


FIG. 8

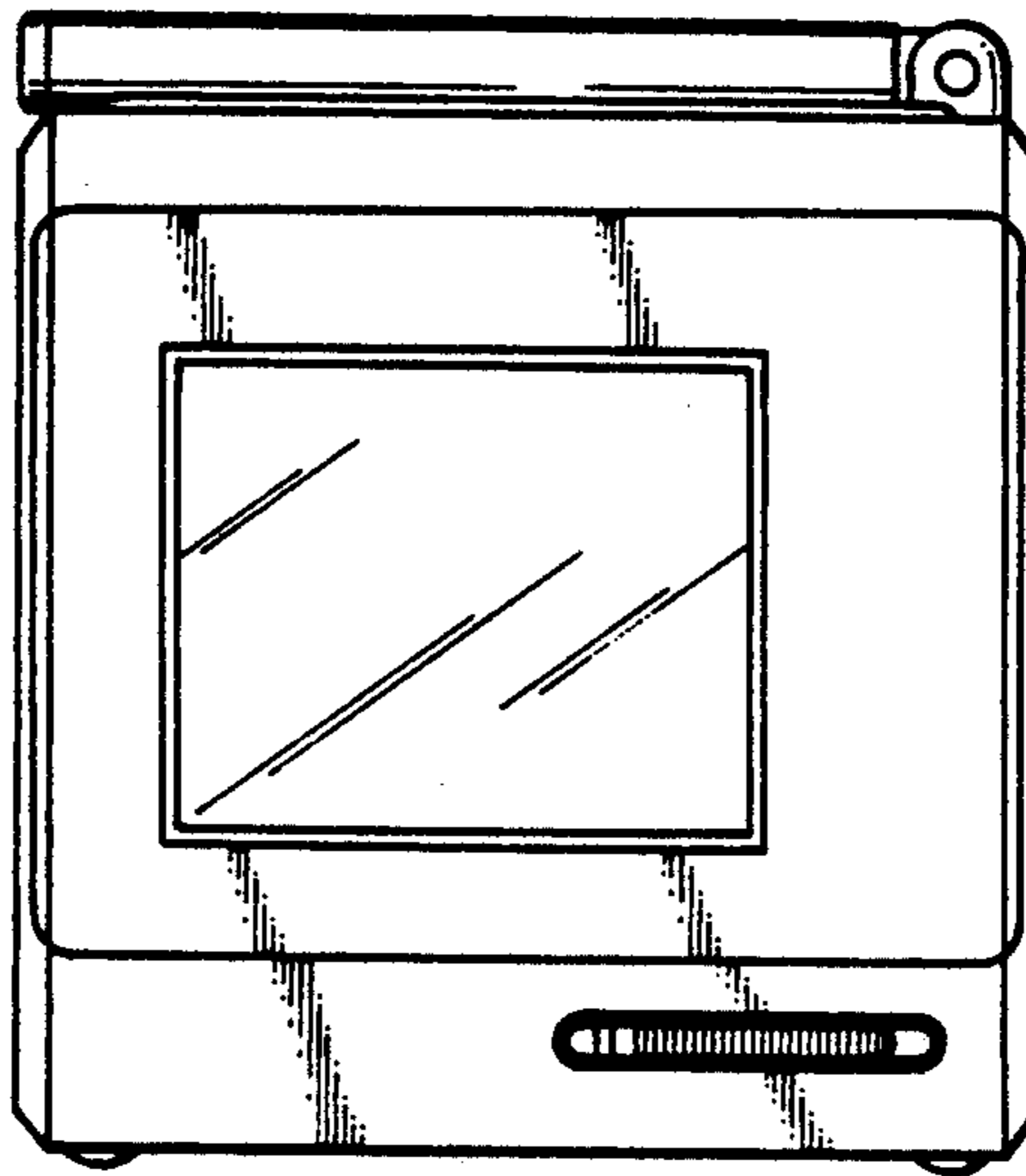


FIG. 10

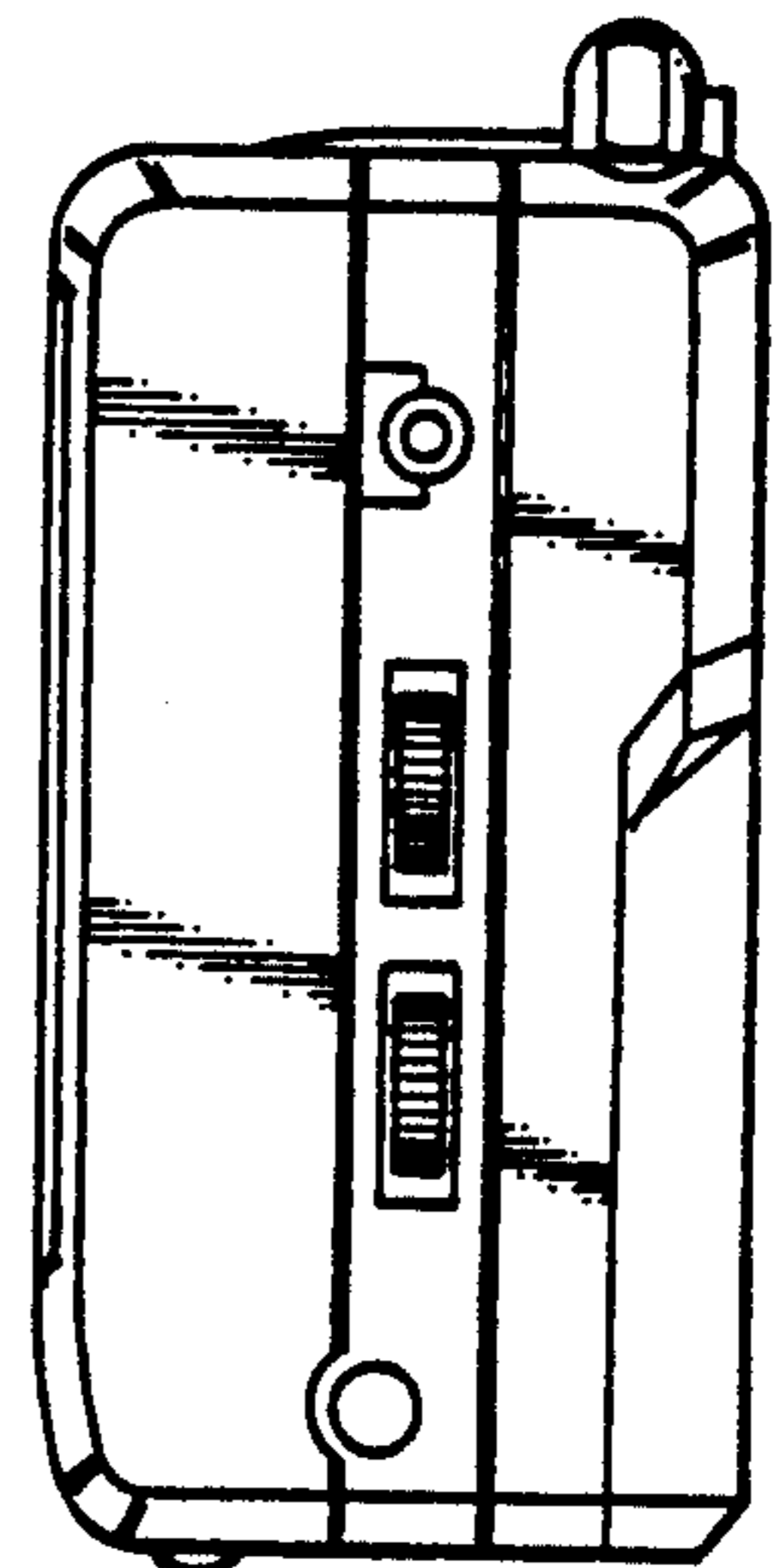


FIG. 12

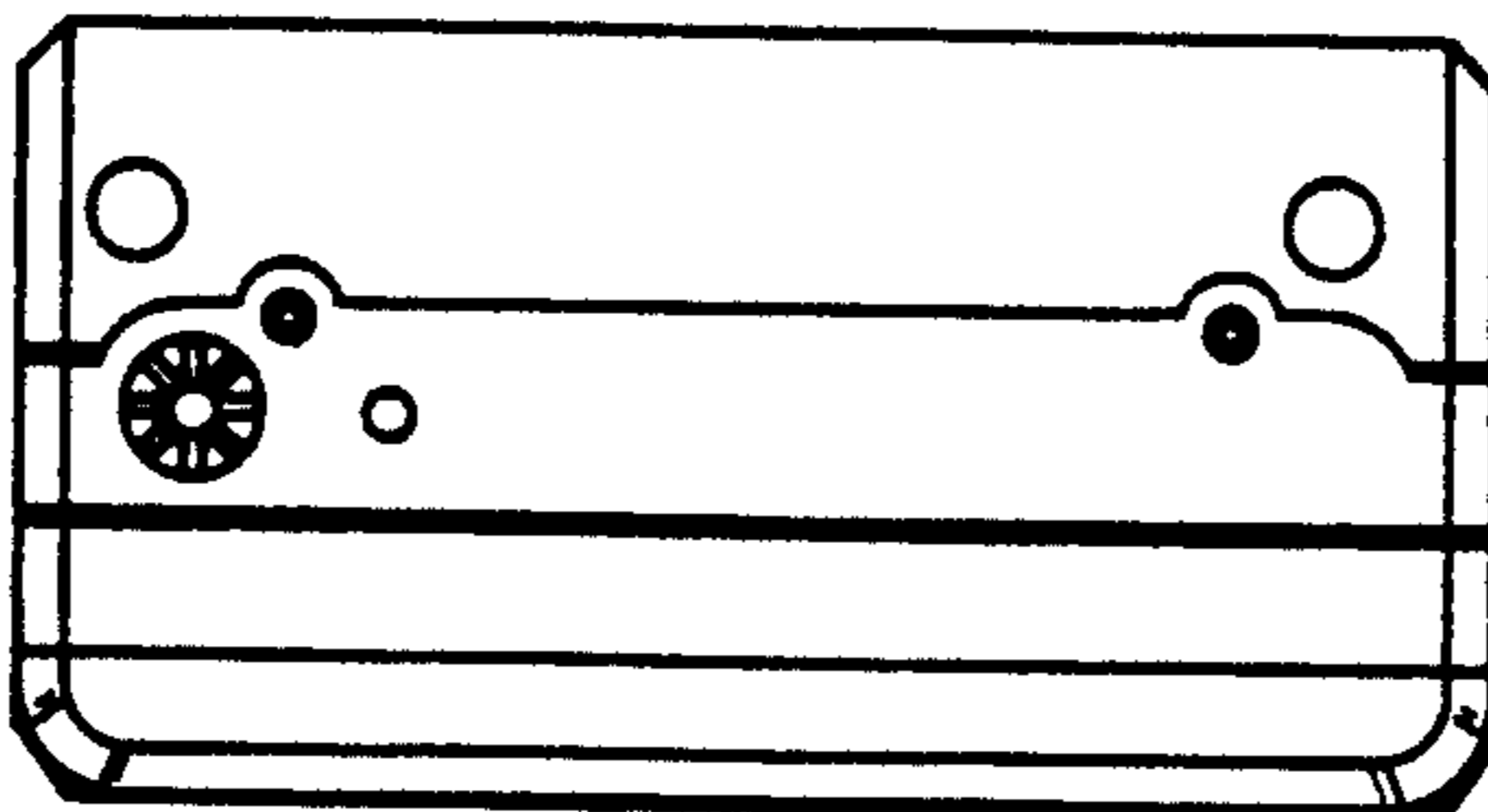


FIG. 13

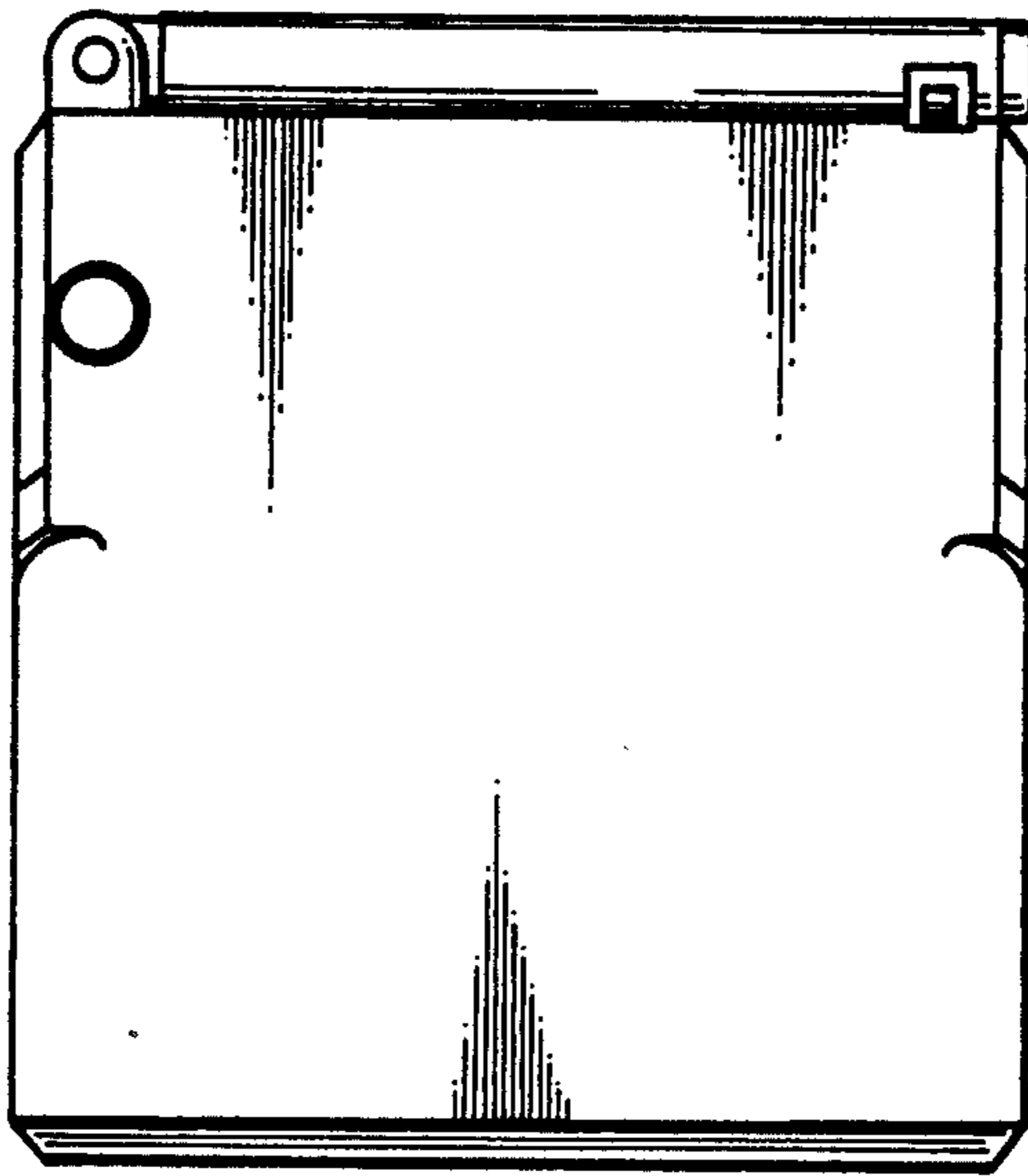


FIG. 14

