

[54] **FACSIMILE**

[75] **Inventor:** Akira Tsukada, Osaka, Japan
[73] **Assignee:** Sharp Corporation, Osaka, Japan
[**] **Term:** 14 Years
[21] **Appl. No.:** 403,149
[22] **Filed:** Sep. 5, 1989

[30] **Foreign Application Priority Data**

Mar. 8, 1989 [JP] Japan 1-8649
[52] **U.S. Cl.** D14/118
[58] **Field of Search** D14/118, 299; D18/36,
D18/37; 358/400, 401

[56] **References Cited**

U.S. PATENT DOCUMENTS

D. 299,494 1/1989 Tsuruoka D14/118
D. 300,139 3/1989 Nishio D14/118
D. 310,214 8/1990 Tsukada D14/118

OTHER PUBLICATIONS

The Office; Oct. 1988; p. 38; Nitsuko Model FX-E1.
Office Products Dealer; Nov. 1987; p. 91; Teli Vax-
aFax.
HFD; 2/1/88; p. 107; bottom—Canon FaxPhone 20.
Office Products Dealer; Dec. 1988; p. 75; Mitsubishi
Model FA-3300.

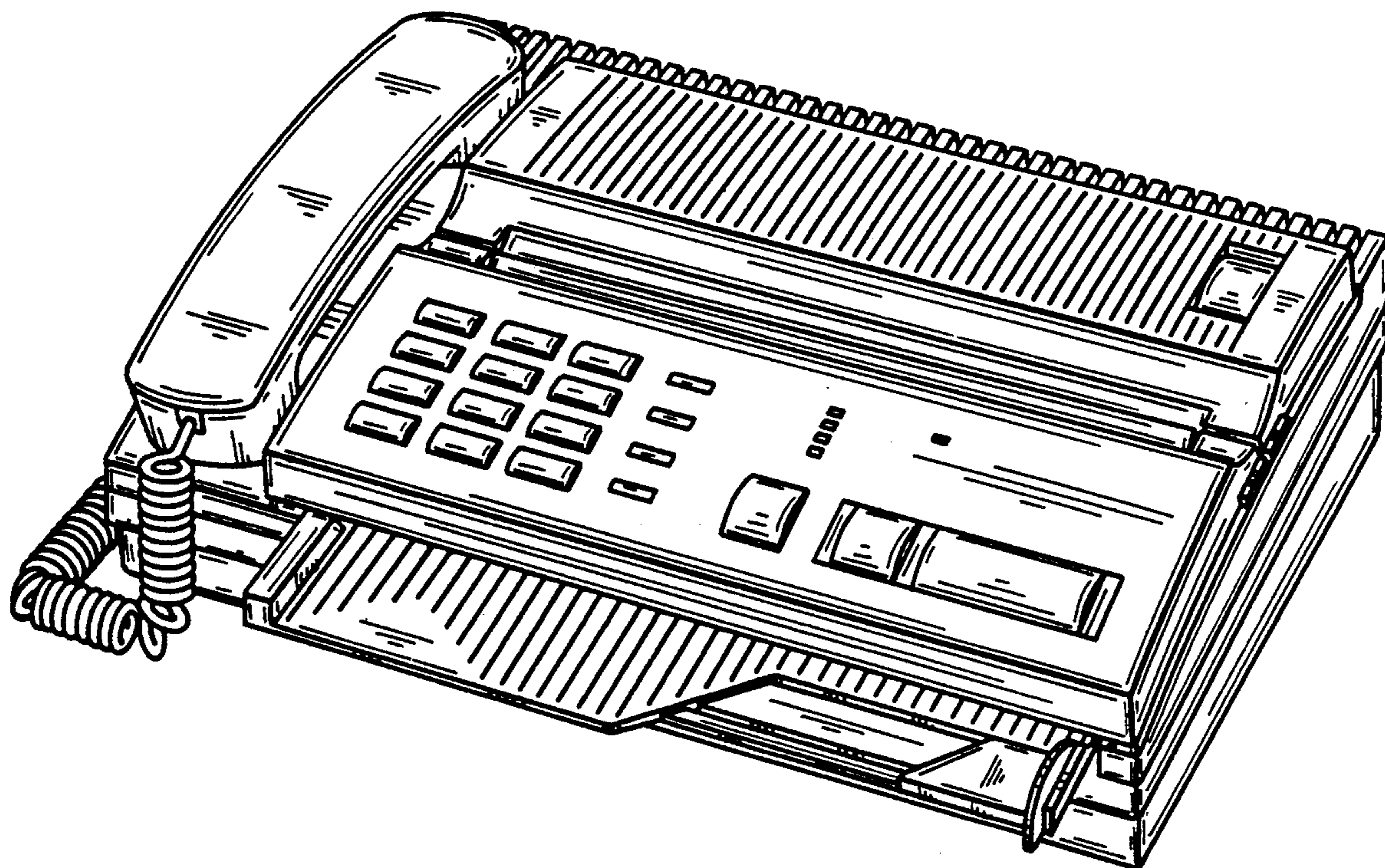
Primary Examiner—Theodore M. Shooman
Attorney, Agent, or Firm—Flehr, Hohbach, Test,
Albritton & Herbert

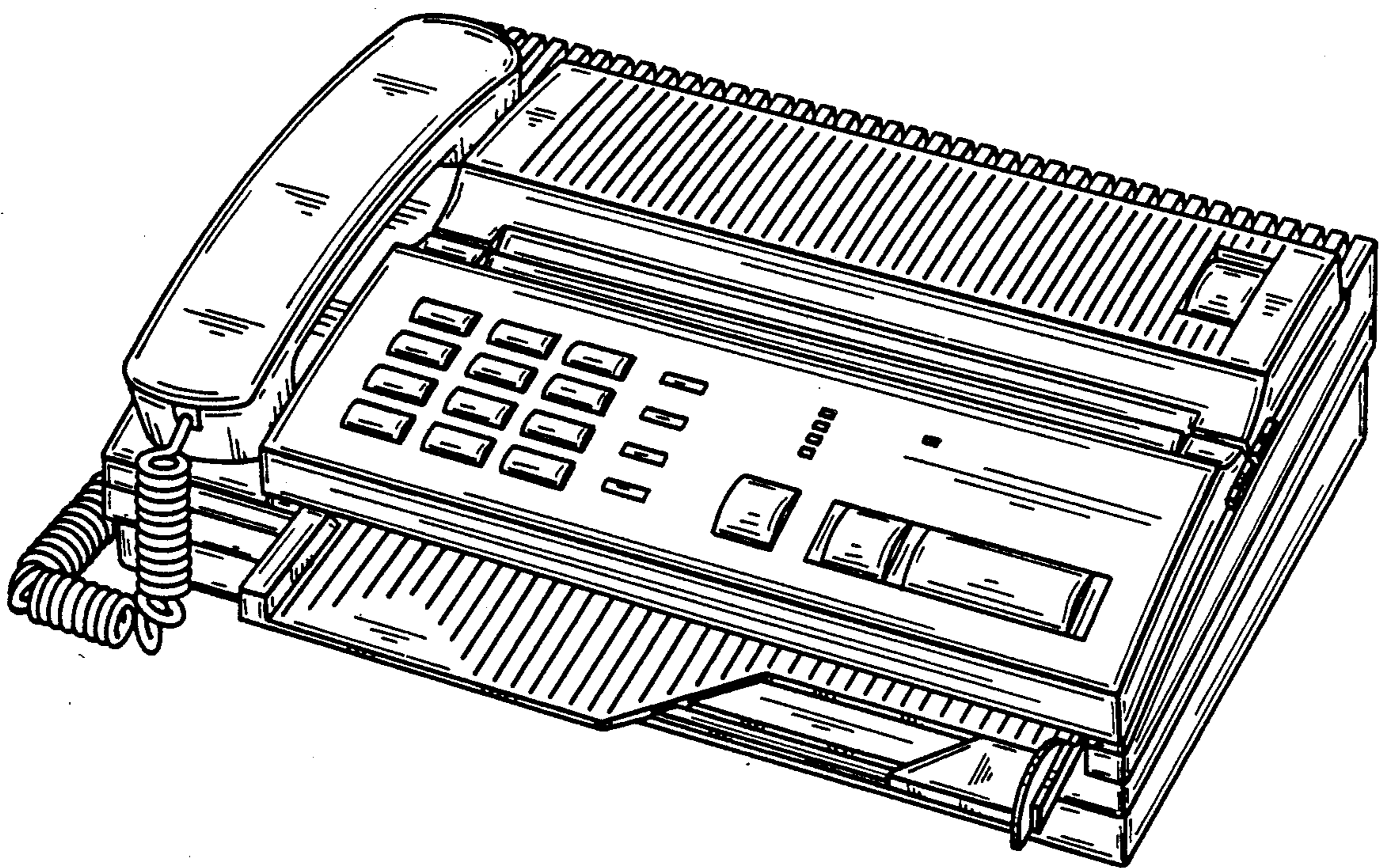
[57] **CLAIM**

The ornamental design for a facsimile, shown.

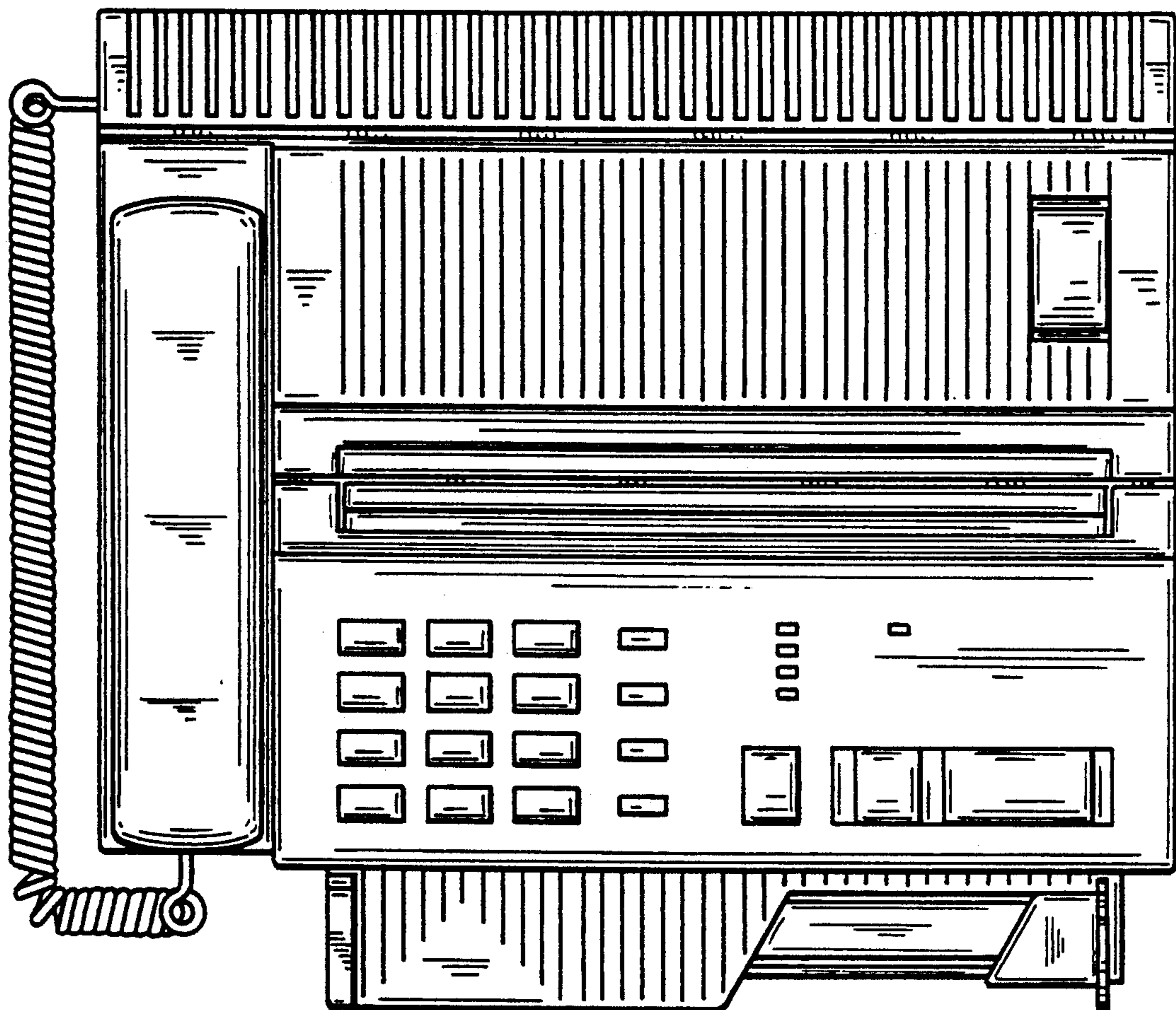
DESCRIPTION

FIG. 1 is a top, front and right side perspective view of a facsimile showing my new design;
FIG. 2 is a top plan view thereof;
FIG. 3 is a bottom plan view thereof;
FIG. 4 is a front elevational view thereof;
FIG. 5 is a rear elevational view thereof;
FIG. 6 is a right side elevational view thereof; and
FIG. 7 is a left side elevational view thereof.

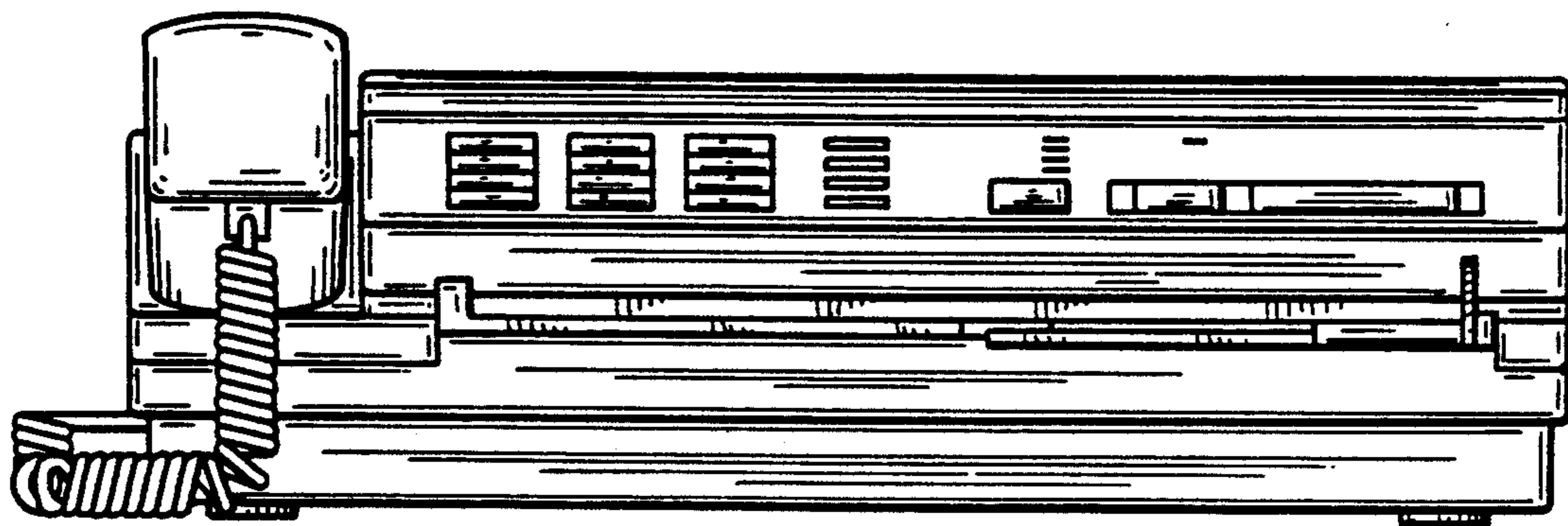




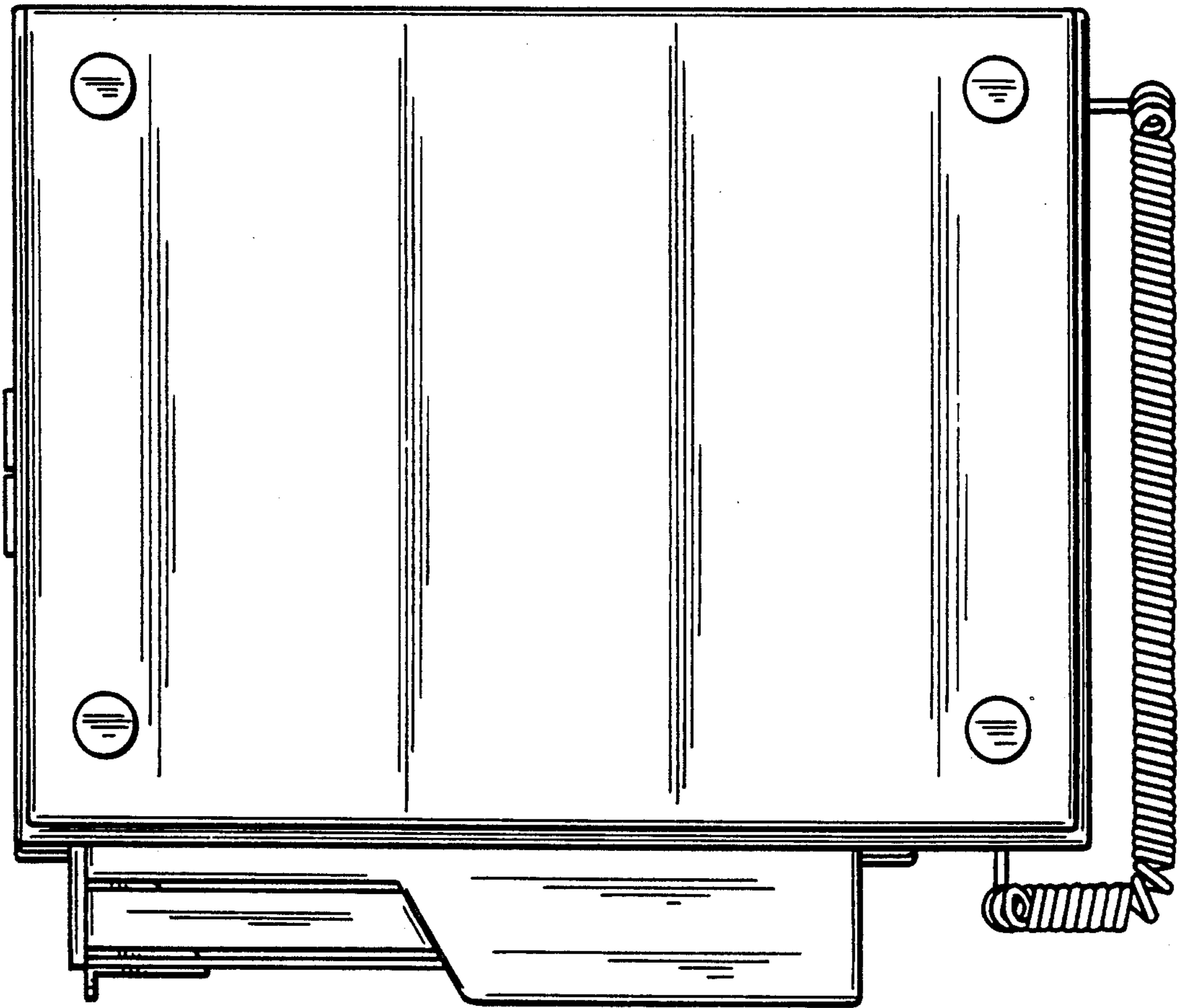
FIG_1



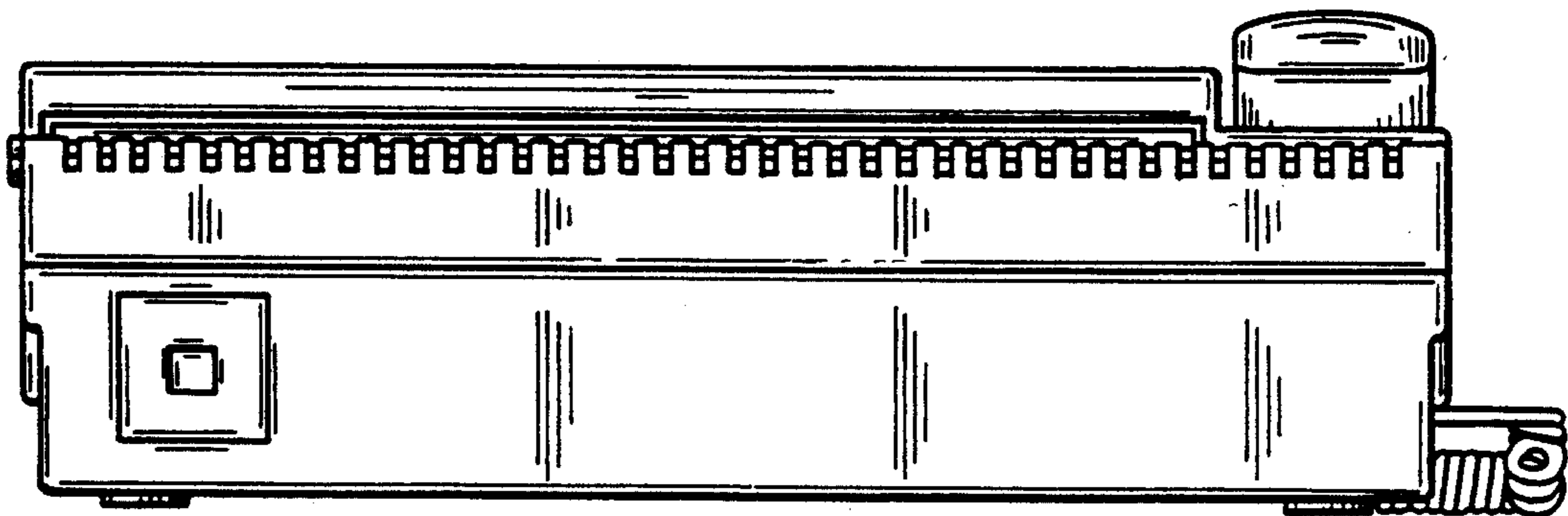
FIG_2



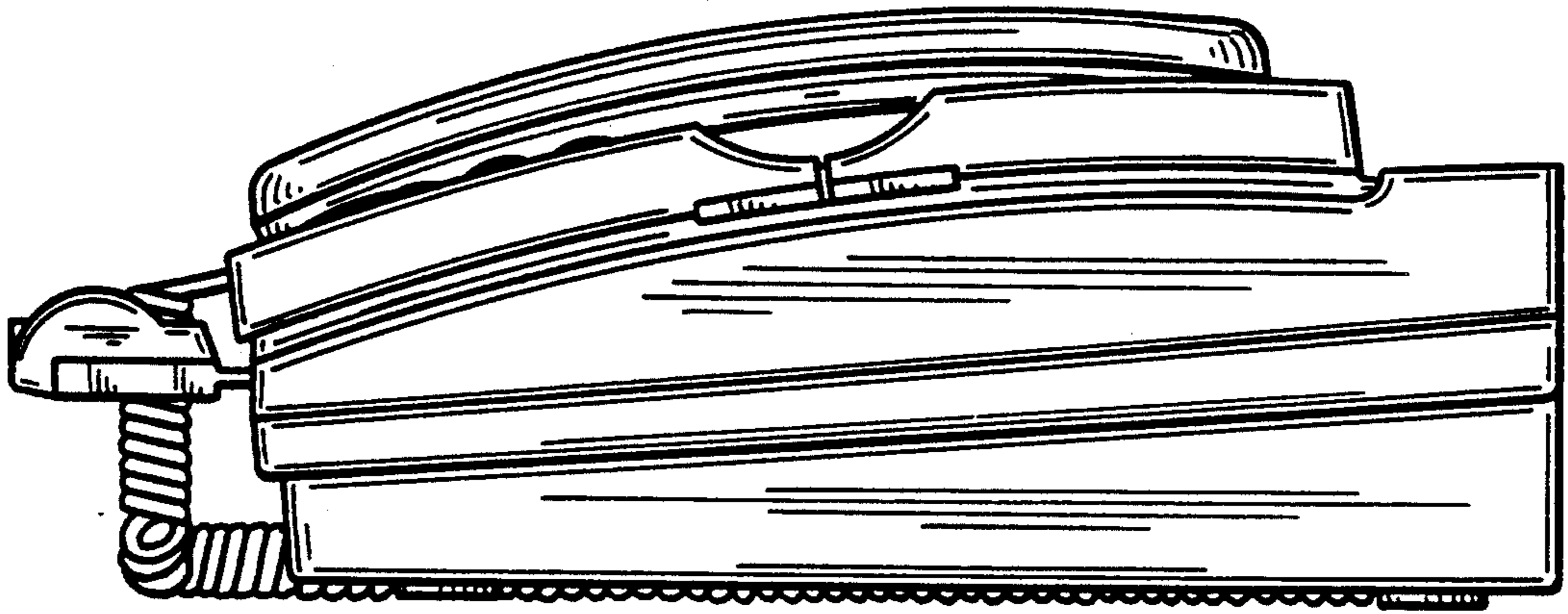
FIG_4



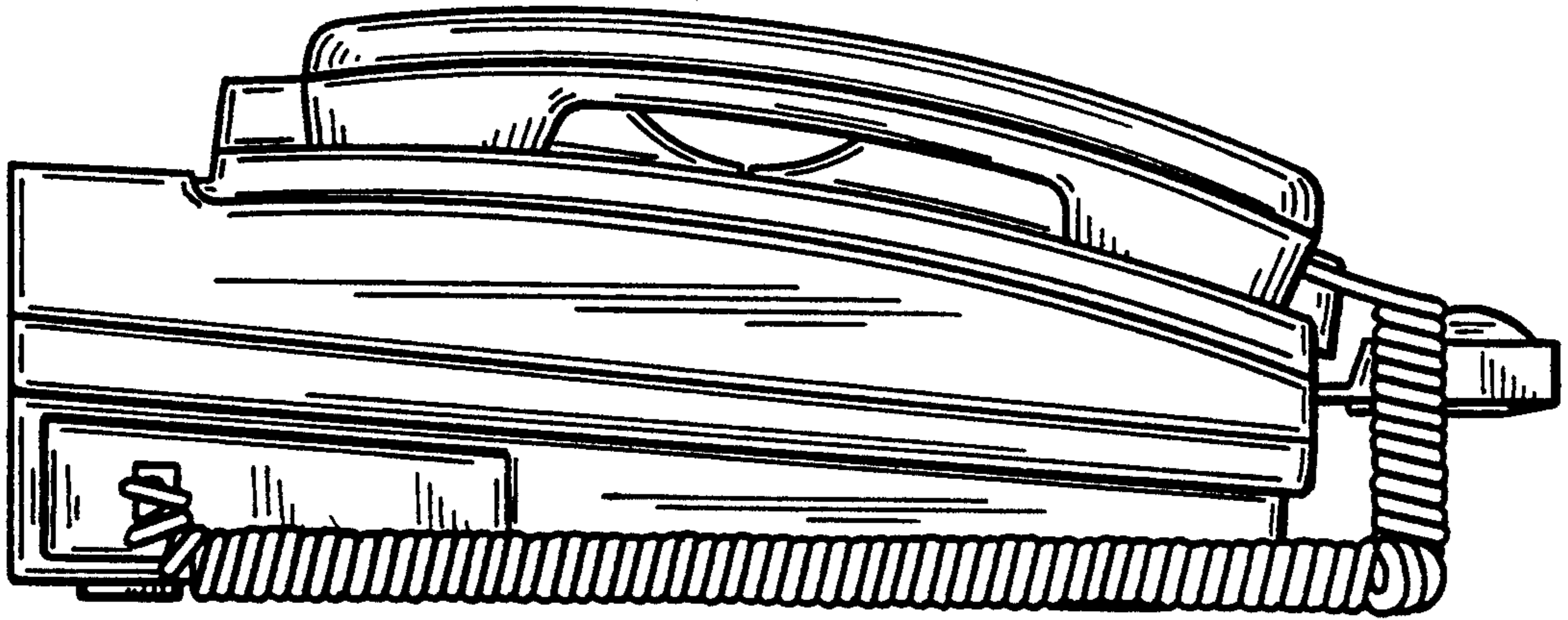
FIG_3



FIG_5



FIG_6



FIG_7