

[54] FACSIMILE TRANSMITTER/RECEIVER

[75] Inventor: Hiroaki Watanabe, Kawasaki, Japan

[73] Assignee: Ricoh Company, Ltd., Tokyo, Japan

[**] Term: 14 Years

[21] Appl. No.: 363,112

[22] Filed: Jun. 8, 1989

[30] Foreign Application Priority Data

Dec. 8, 1988 [JP] Japan 63-47819

[52] U.S. Cl. D14/118

[58] Field of Search D14/118, 299; D18/36, D18/37; 358/400, 401

[56] References Cited

U.S. PATENT DOCUMENTS

- D. 288,093 2/1987 Fujiyama et al. D14/118
- D. 301,878 6/1989 Noma D14/118
- D. 304,874 11/1989 Saegusa et al. D14/118

OTHER PUBLICATIONS

The Office; May 1988; p. 15; NEC Model Nefax-25. Modern Office Technology; May 1987; p. 43; Trans-Lux Model TransFax I. Modern Office Technology; Jun. 1987; p. 106; Canon Model FAX-620.

Primary Examiner—Theodore M. Shooman
Attorney, Agent, or Firm—Oblon, Spivak, McClelland, Maier & Neustadt

[57] CLAIM

The ornamental design for a facsimile transmitter/receiver, as shown.

DESCRIPTION

FIG. 1 is a top, front and right side perspective view of a facsimile transmitter/receiver showing my new design; and
FIG. 2 is a bottom, rear and left side perspective view thereof.

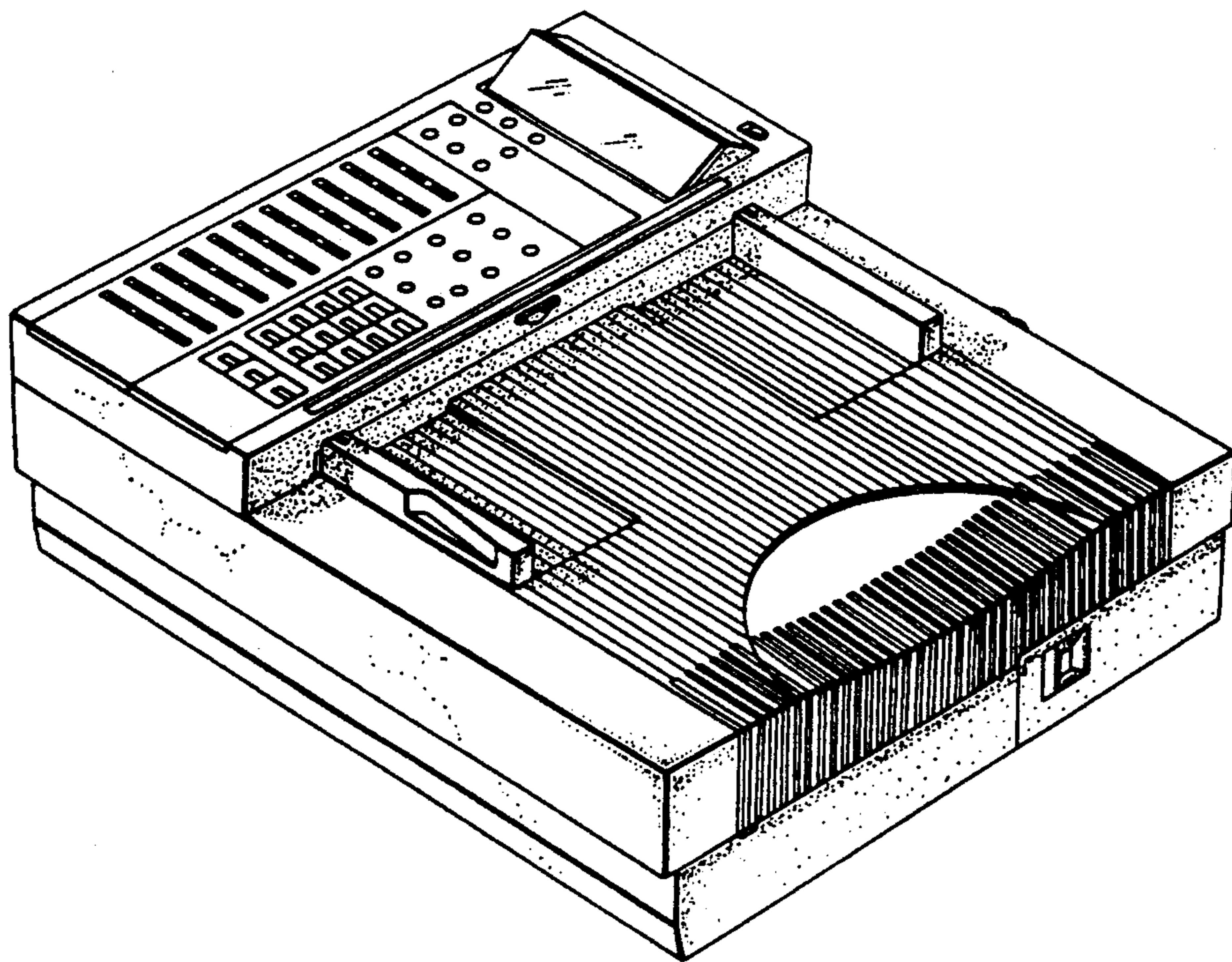


FIG. 1

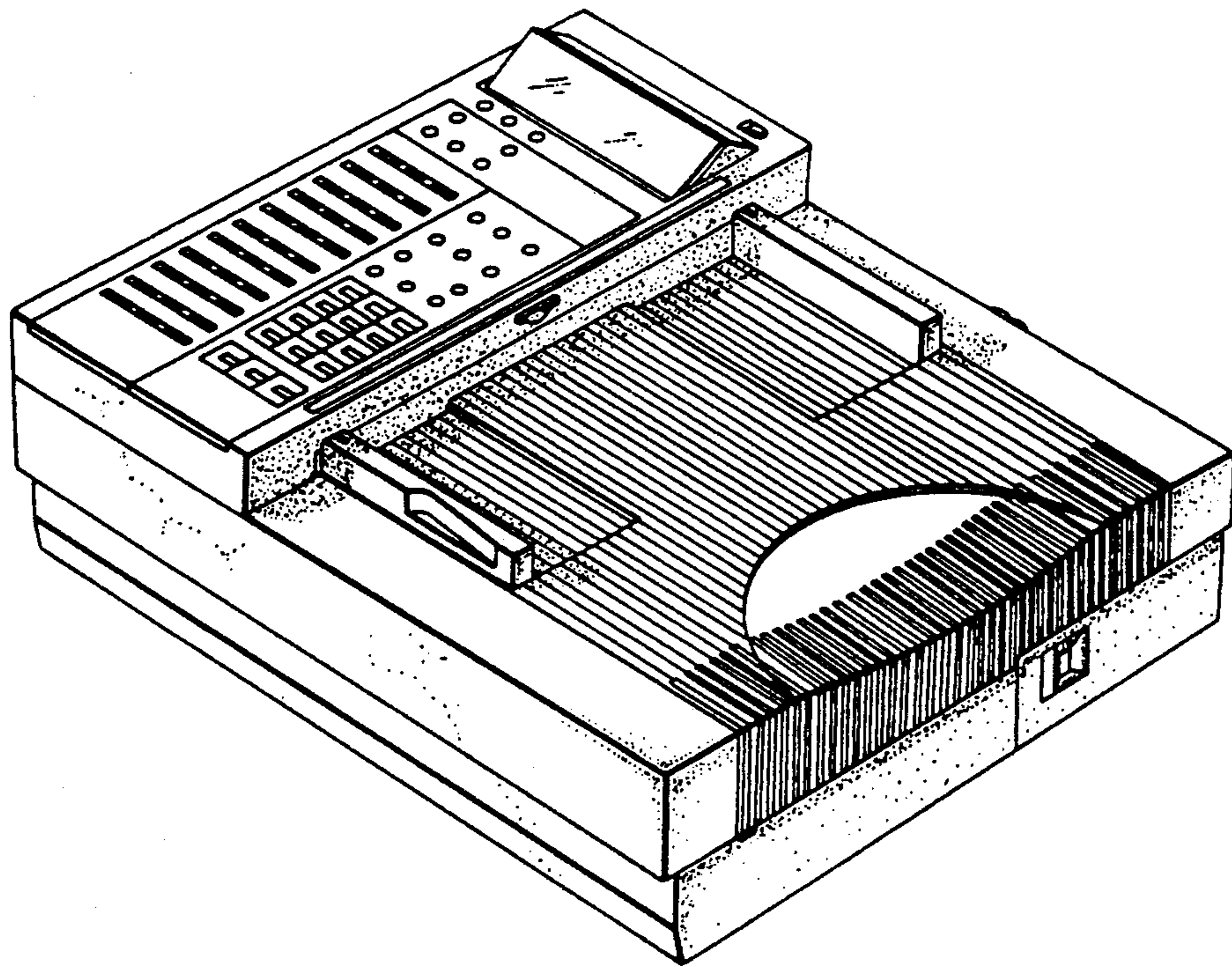


FIG. 2

