

[54] LOW PROFILE COMPUTER BEZEL

[75] Inventor: Robert A. Welch, Austin, Tex.

[73] Assignee: Compuadd Corporation, Austin, Tex.

[**] Term: 14 Years

[21] Appl. No.: 382,575

[22] Filed: Jul. 20, 1989

[52] U.S. Cl. D14/115

[58] Field of Search D14/100, 101, 102, 103, D14/104, 105, 108, 109, 114, 115; D13/162, 184, 199; 360/97-99, 132, 133; 361/331, 332, 380, 381, 390-395, 415, 426; 174/50, 52.1

[56] References Cited

U.S. PATENT DOCUMENTS

- D. 242,467 11/1976 Jenkins D14/115
- D. 249,945 10/1978 Freijd D14/115
- D. 296,434 6/1988 Wilson D14/115 X
- D. 301,472 6/1989 Kurihara D14/109 X
- D. 302,006 7/1989 Kawaguchi D14/109 X

Primary Examiner—Wallace R. Burke

Assistant Examiner—Freda S. Nunn
Attorney, Agent, or Firm—Baker & Botts

[57] CLAIM

The ornamental design for a low profile computer bezel, as shown and described.

DESCRIPTION

FIG. 1 is a perspective view of a low profile computer bezel showing my new design, the computer housing being shown in broken lines for illustrative purposes only and forms no part of the claimed design;

FIG. 2 is a front elevational view thereof;

FIG. 3 is a left side elevational view thereof;

FIG. 4 is a right side elevational view thereof;

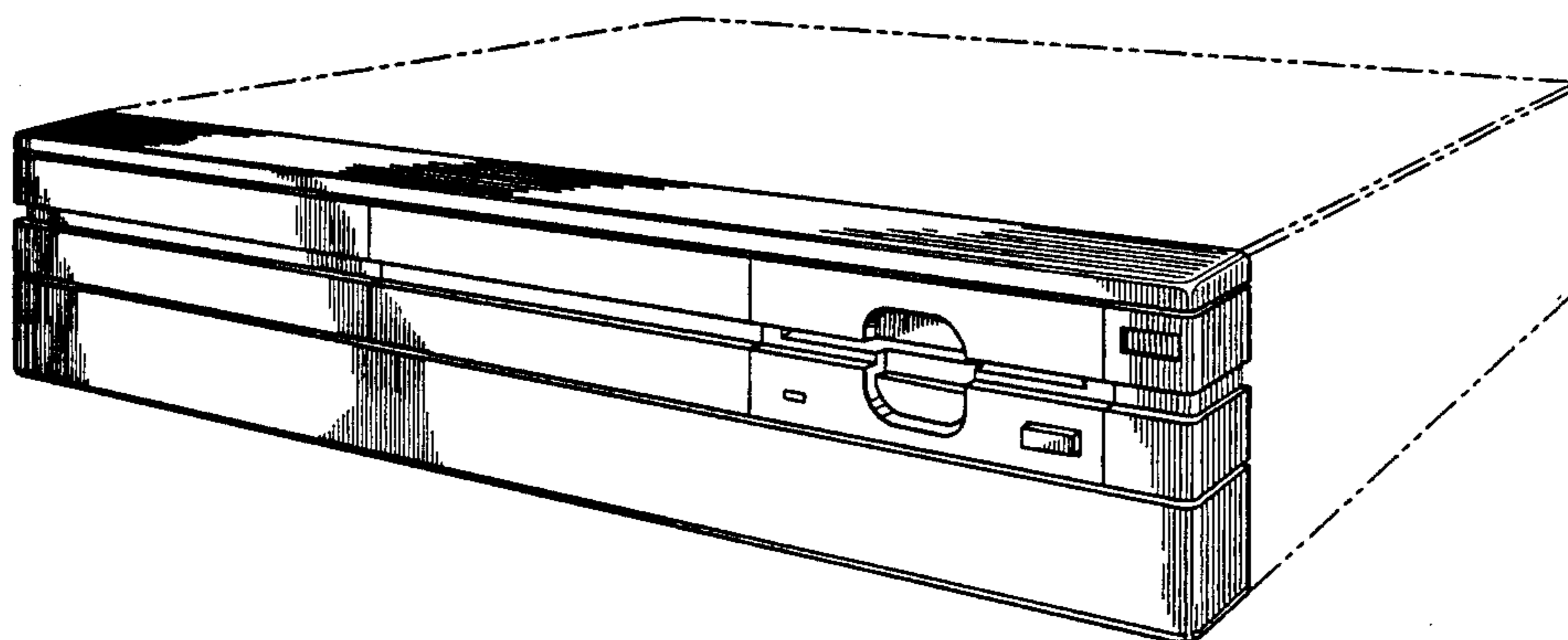
FIG. 5 is a top plan view thereof;

FIG. 6 is a bottom plan view thereof;

FIG. 7 is a front elevational view of a second embodiment of my design;

FIG. 8 is a front elevational view of a third embodiment of my design.

The undisclosed views of the second and third embodiments are similar in appearance to those of the first embodiment.



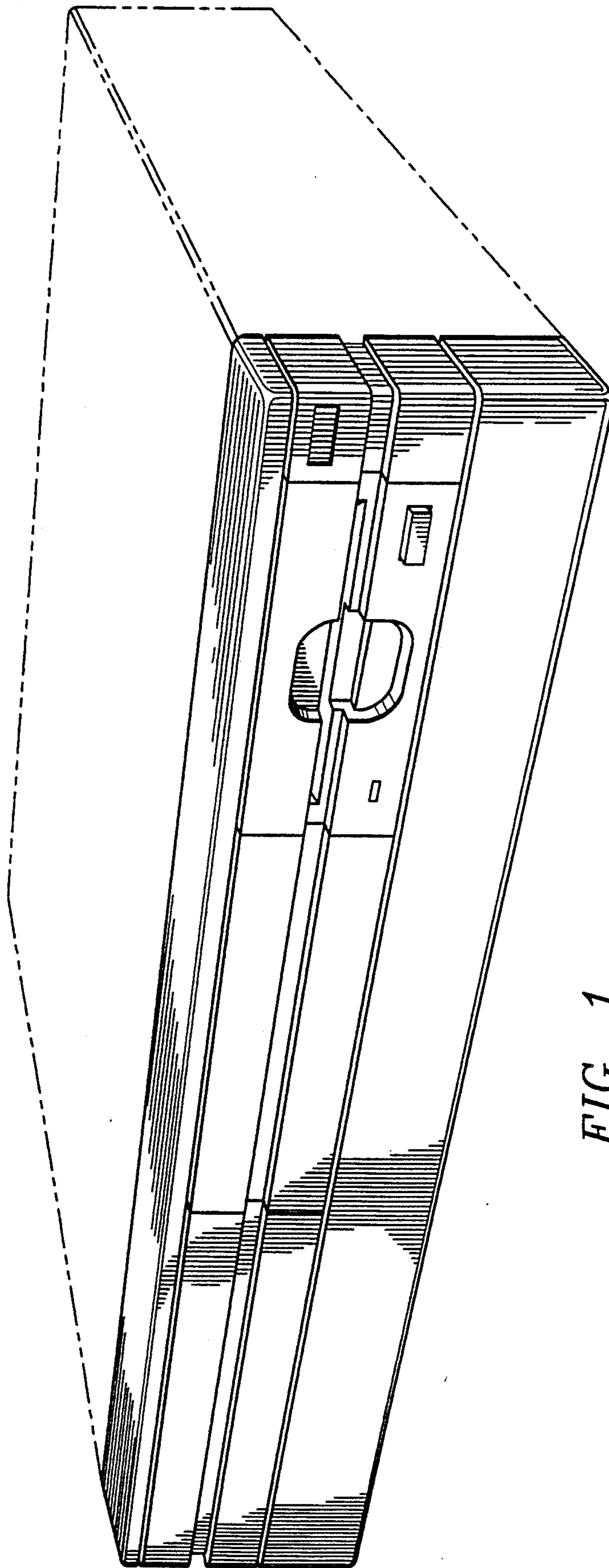


FIG. 1

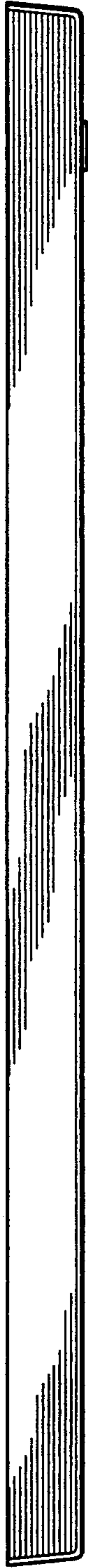


FIG. 5



FIG. 4

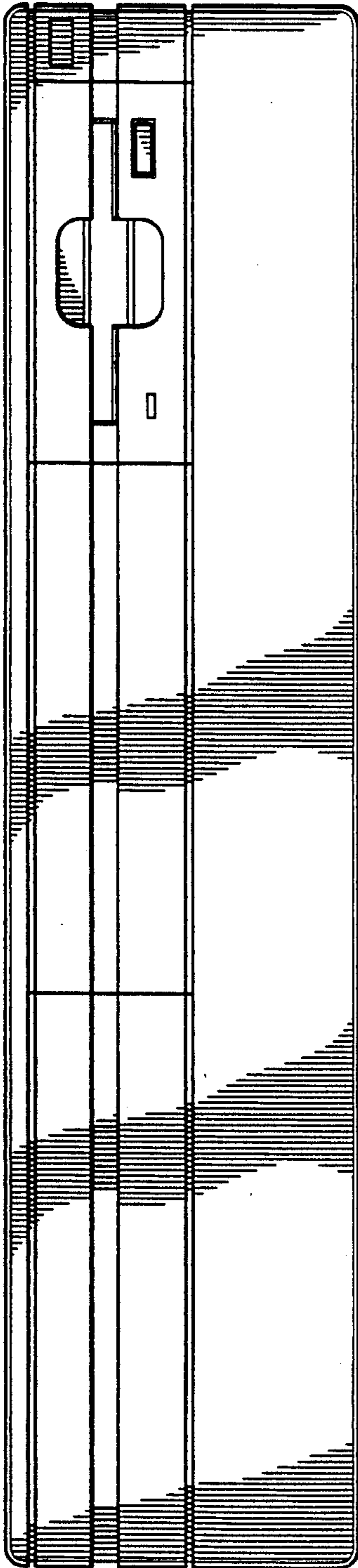


FIG. 2



FIG. 3

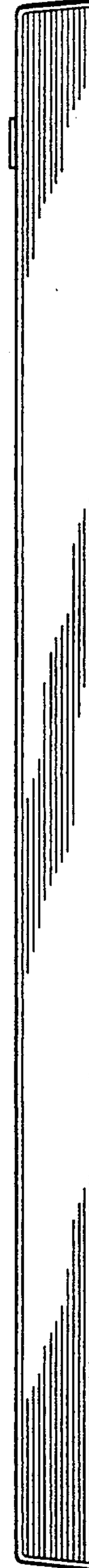


FIG. 6

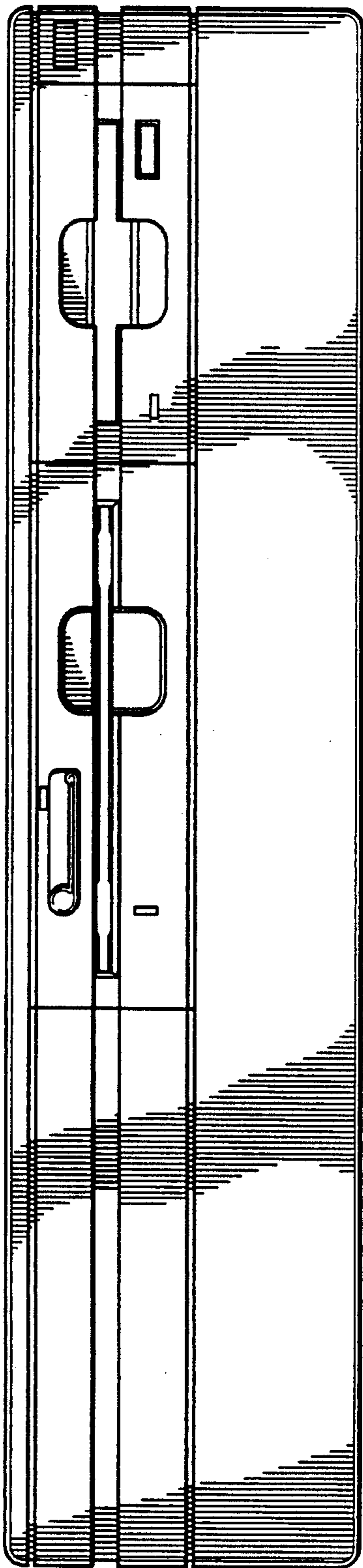


FIG. 7

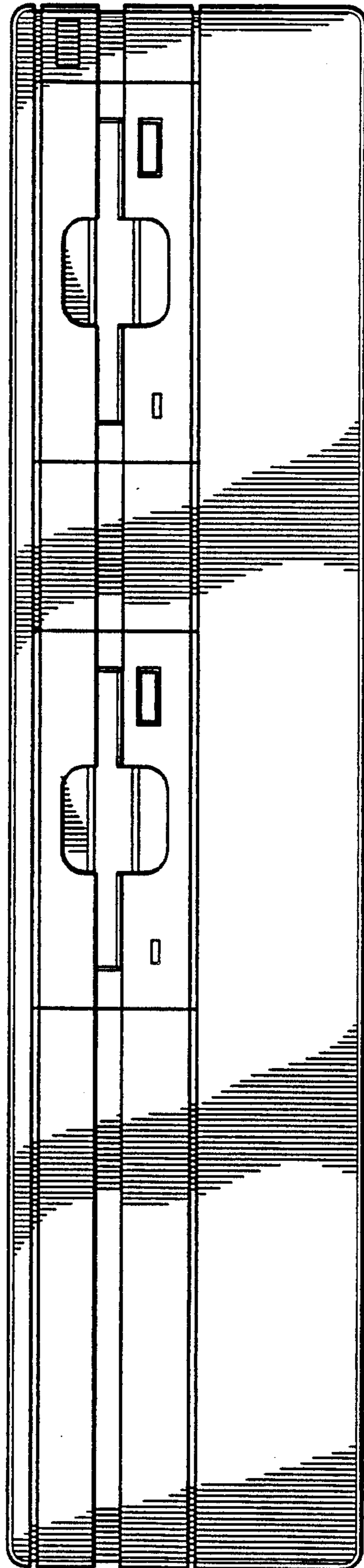


FIG. 8