

[54] **COUNTERTOP OPTICAL SCANNER WITH CREDIT CARD READER**
 [75] **Inventor: Jerome Swartz, Old Field, N.Y.**
 [73] **Assignee: Symbol Technologies, Inc., Bohemia, N.Y.**
 [**] **Term: 14 Years**
 [21] **Appl. No.: 255,889**
 [22] **Filed: Mar. 20, 1989**
 [52] **U.S. Cl. D14/107; D14/116**
 [58] **Field of Search D14/100, 105, 107, 114, D14/116, 104; D13/184, 199, 101; 235/375, 378, 379, 435, 382-385, 454, 462, 463, 467, 470, 472, 475, 483, 486; 382/58-63; 248/671-672; 250/203.1, 216, 566, 568; 354/80-82; 358/408, 473, 474, 497; 350/3.71, 3.86; 355/75, 200, 218, 230, 231, 233; D26/62**

4,939,580 7/1990 Ishikawa et al. 354/81 X

OTHER PUBLICATIONS

Electronic Design—Nov. 12, 1987, p. 64, The Chinon Scanner.
 Symbol Technologies, Inc. flyer on LS6000, bearing 1987 copyright notice.
 Symbol Technologies, Inc. flyer on Smart Stand, bearing 1987 copyright notice.

Primary Examiner—Wallace R. Burke
Assistant Examiner—Freda S. Nunn

[57] **CLAIM**

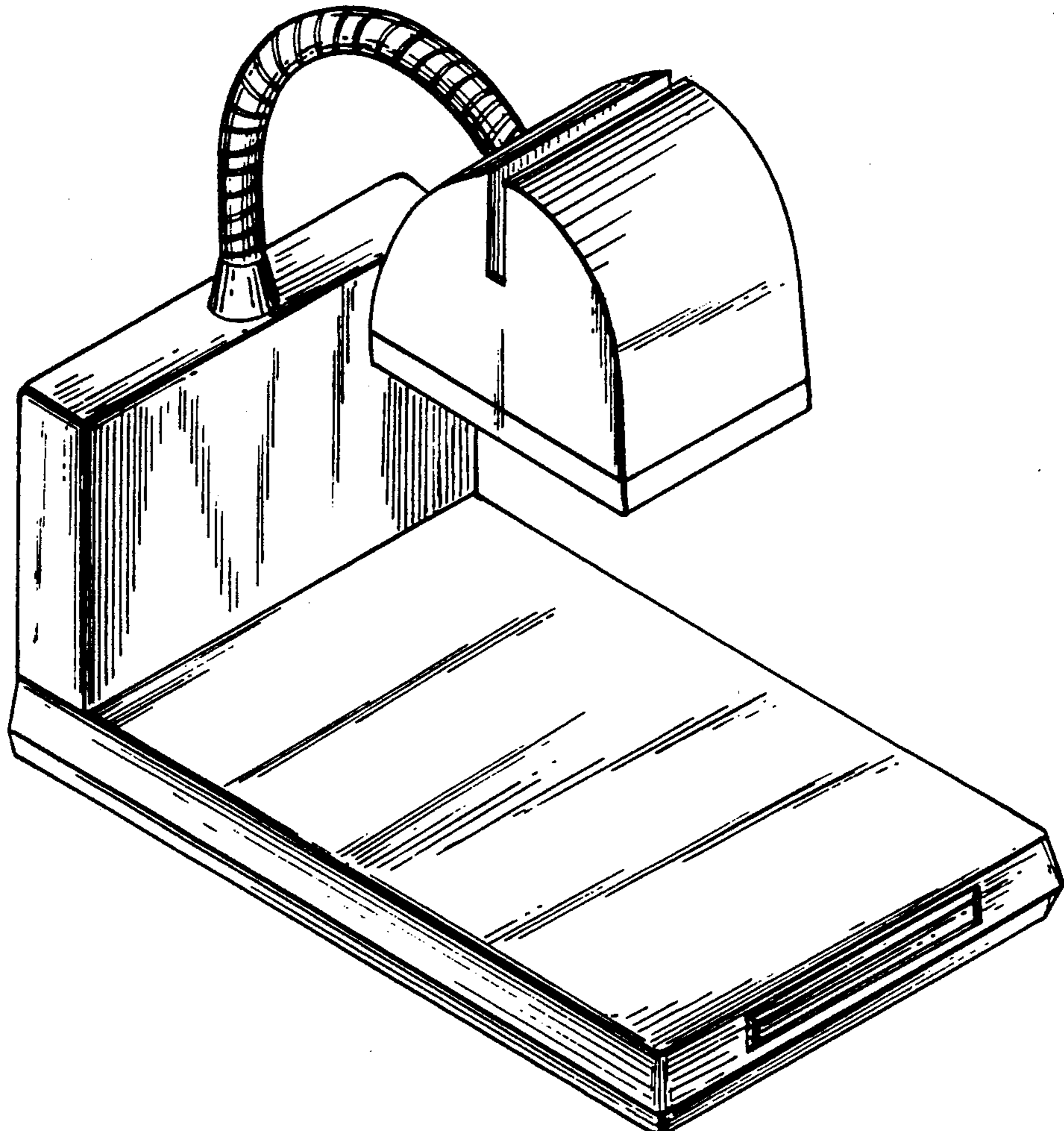
The ornamental design for a countertop optical scanner with credit card reader, as shown and described.

DESCRIPTION

FIG. 1 is a perspective view of a countertop optical scanner with credit card reader showing my new design;
 FIG. 2 is a top plan view thereof;
 FIG. 3 is a front elevational view thereof;
 FIG. 4 is a side elevational view thereof, the opposite side elevational view being a mirror image;
 FIG. 5 is a rear elevational view thereof;
 FIG. 6 is a bottom plan view thereof.
 The electrical cord is shown in broken lines in FIG. 4 for illustrative purposes only and forms no part of the claimed design.

[56] **References Cited**
U.S. PATENT DOCUMENTS

D. 264,581	5/1982	Mobius	D13/101
D. 306,015	2/1990	Pulio, Jr.	D14/105
3,388,249	6/1968	Siegel et al.	D26/62 X
4,369,361	1/1983	Swartz et al.	235/470
4,766,297	8/1988	McMillan	235/470 X
4,814,627	3/1989	Levko et al.	250/566
4,910,601	3/1990	Gerlach	358/474



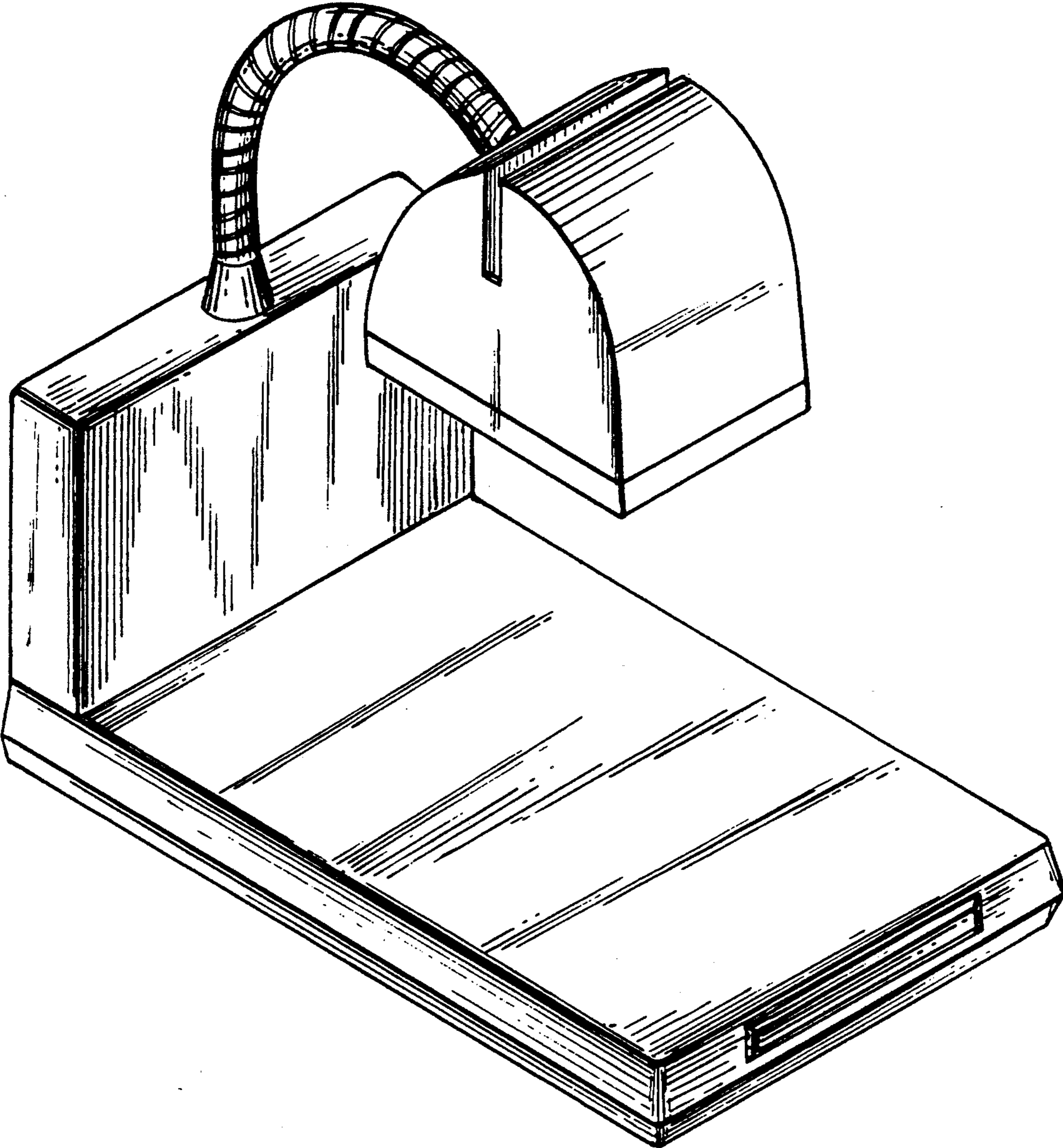


FIG. 1

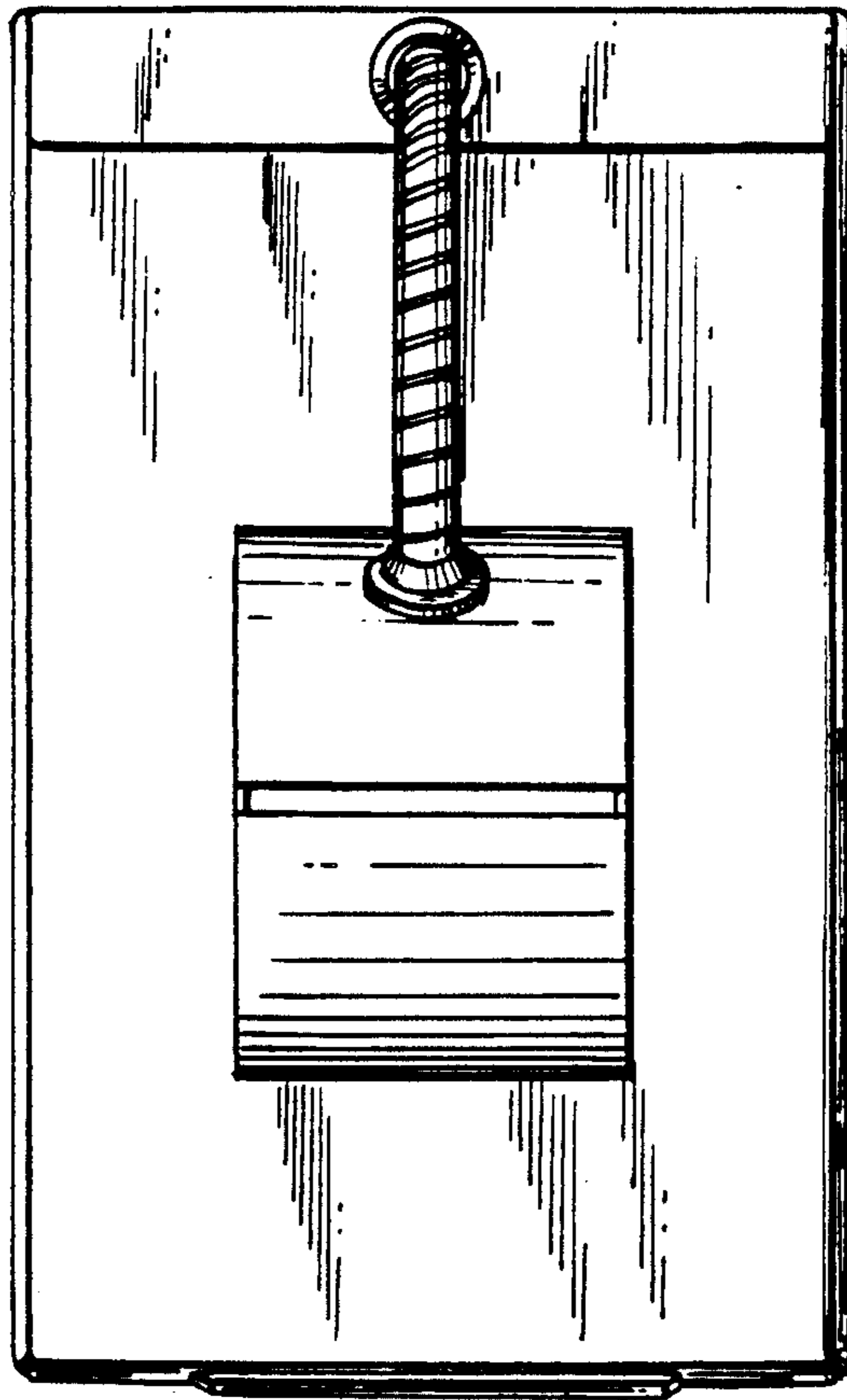


FIG. 2

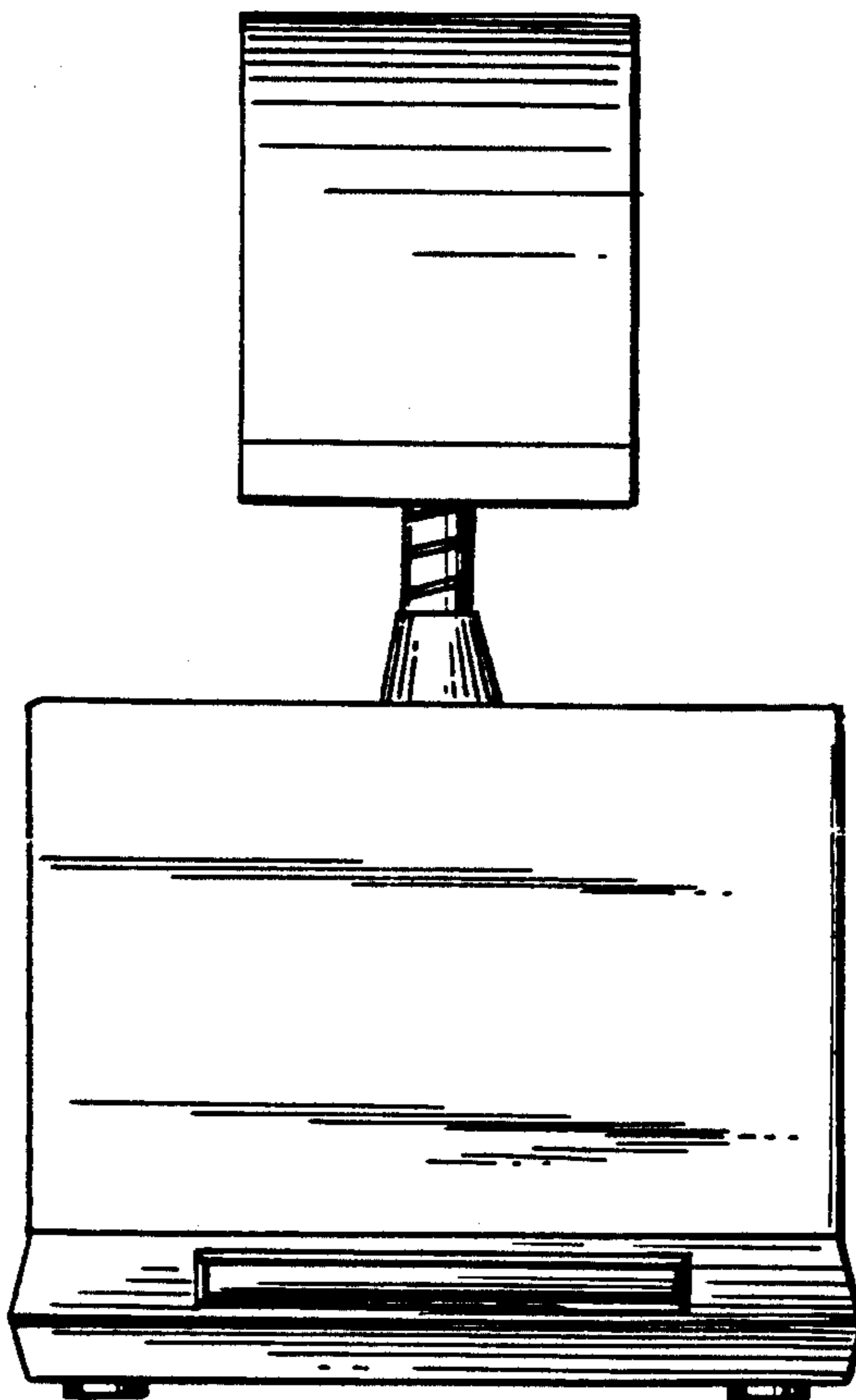


FIG. 3

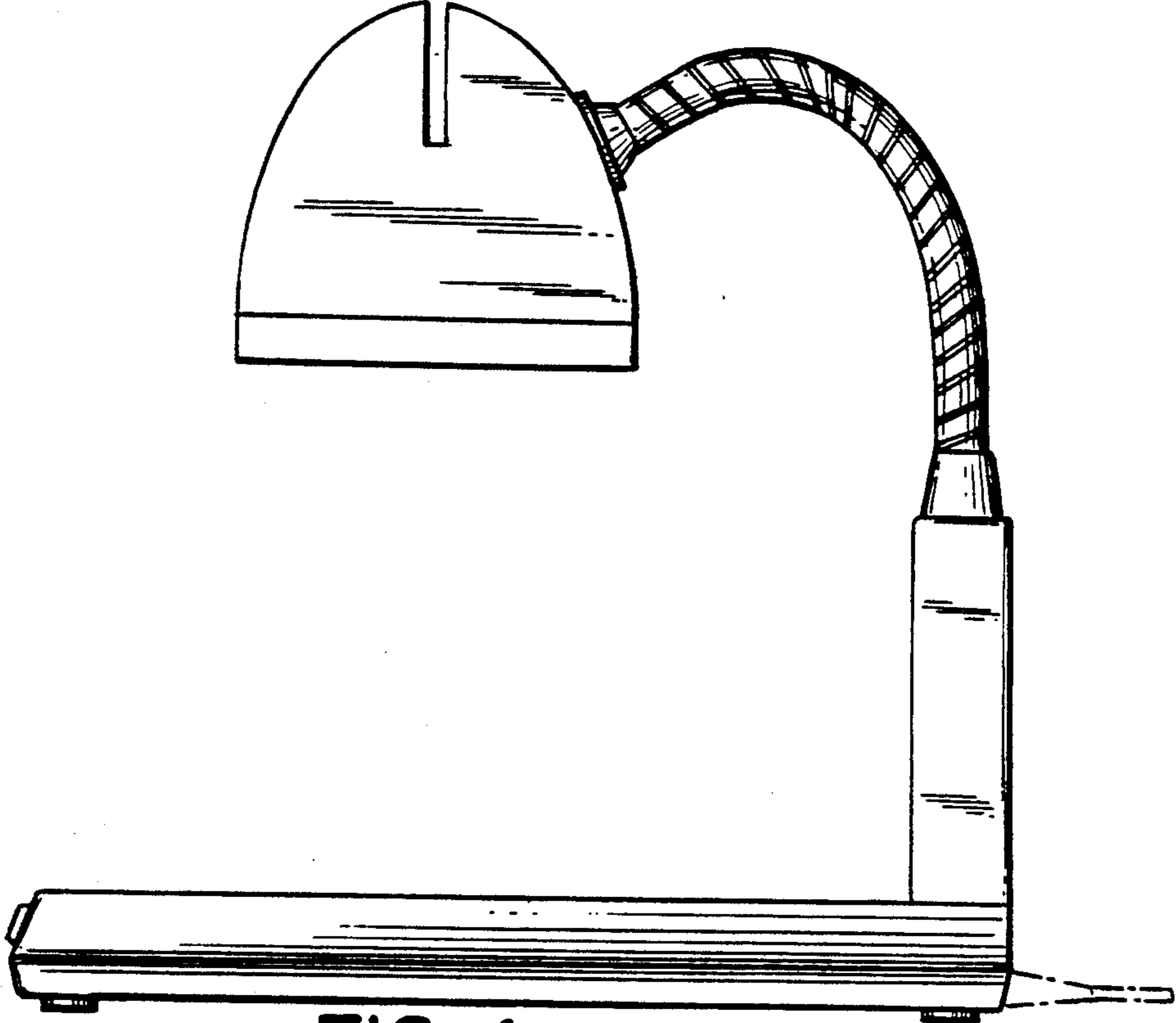


FIG. 4

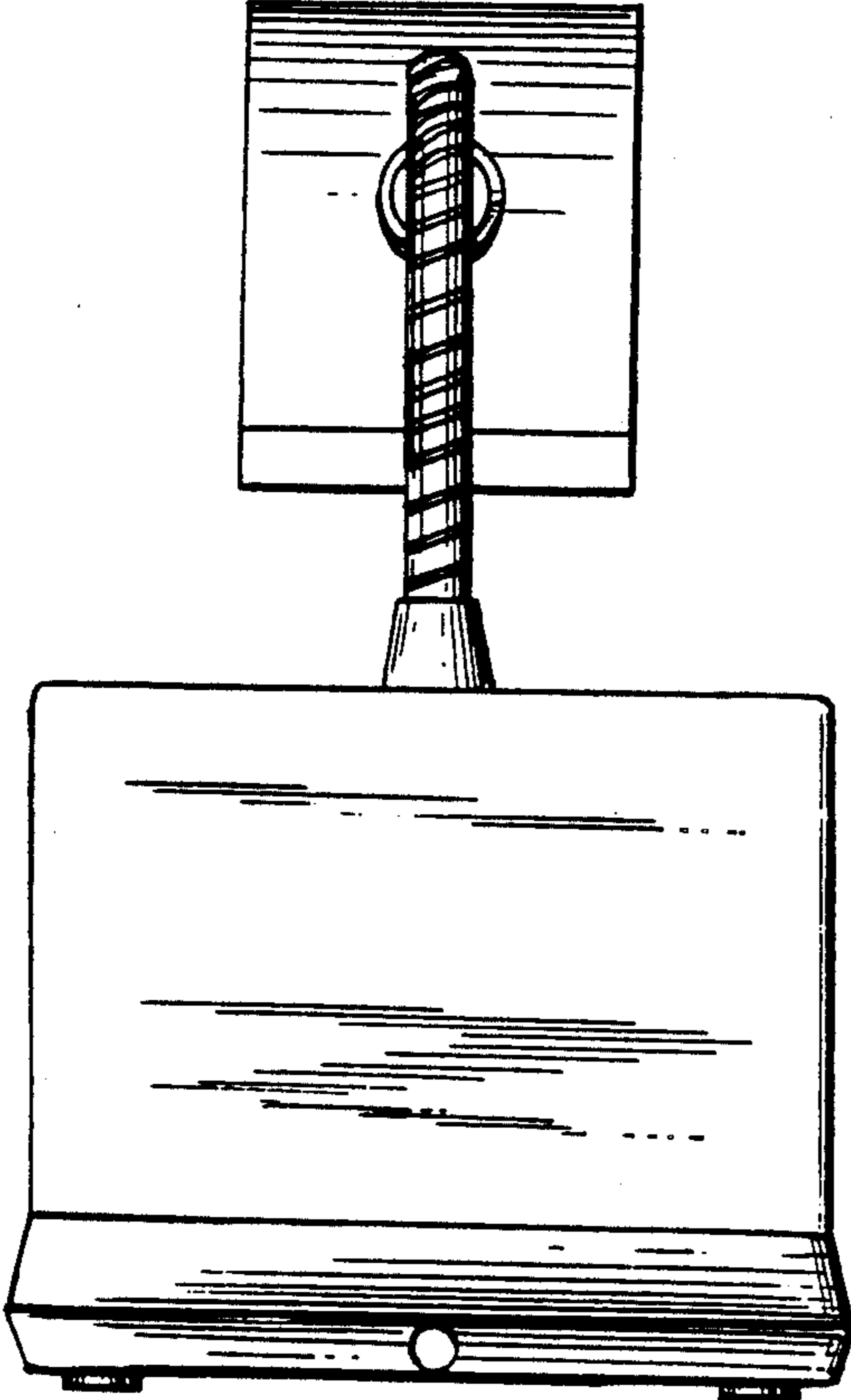


FIG. 5

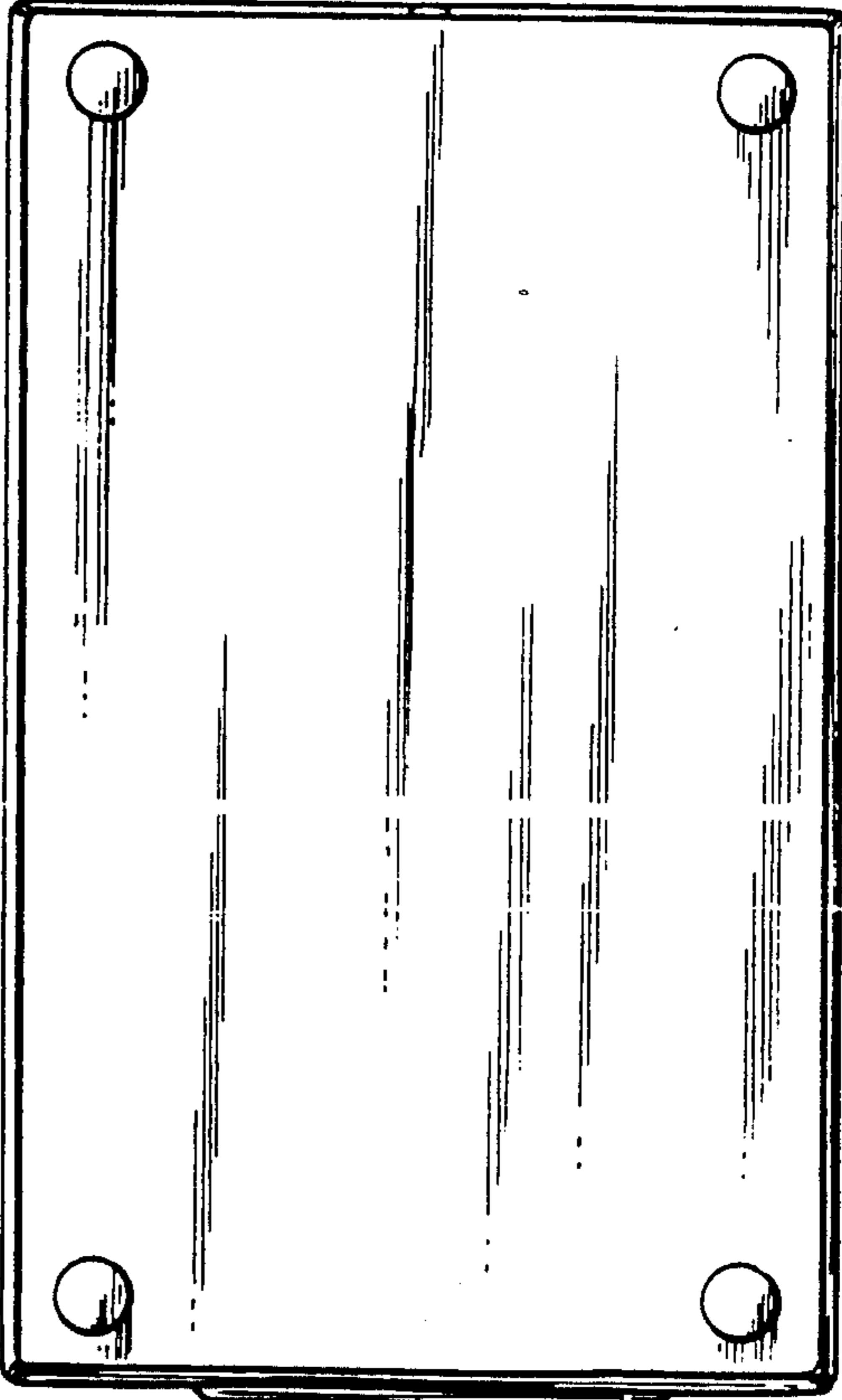


FIG. 6