

[54] COMPUTER CABINET

[75] Inventors: Stephen Cermak, III; Manville A. Hoeft, both of Elk Mound; Lawrence C. Zylka, Menomonie, all of Wis.; Eugene N. Reshanov, Golden Valley; Eric J. Mueller, St. Paul, both of Minn.

[73] Assignee: Cray Research, Inc., Minneapolis, Minn.

[**] Term: 14 Years

[21] Appl. No.: 427,328

[22] Filed: Oct. 25, 1989

[52] U.S. Cl. D14/102

[58] Field of Search D14/100, 102, 103, 108, D14/109; D13/162, 184, 199; D6/509-512; 360/97-99, 137; 361/331, 332, 380, 381, 390-395, 415, 426; 312/138.1, 208

[56] References Cited

U.S. PATENT DOCUMENTS

- D. 203,988 3/1966 Sathmary et al. D13/184
- D. 233,758 11/1974 Cray et al. D14/102
- D. 234,022 12/1974 Cray et al. D14/102
- D. 247,361 2/1978 Cray, Jr. et al. D14/102

- D. 278,712 5/1985 Adachi et al. D14/102
- D. 300,031 2/1989 Katai et al. D13/184 X
- D. 307,420 4/1990 Adachi et al. D14/102
- 4,779,151 10/1988 Lind et al. 360/137 X

OTHER PUBLICATIONS

Brochure entitled "The Cray Extended Architecture Series of Computer Systems".
Brochure entitled, "The Cray-2 Computer System".

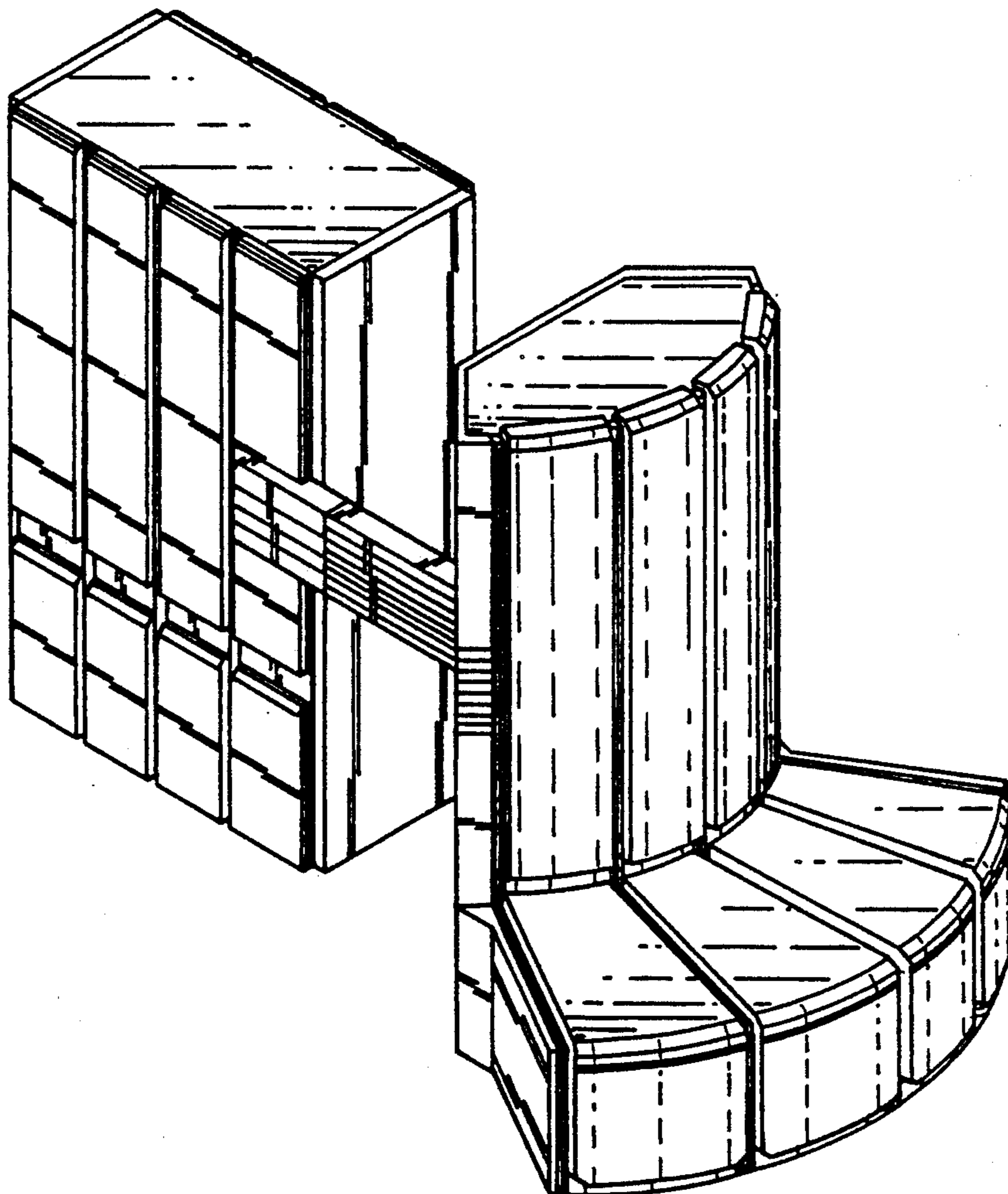
Primary Examiner—Wallace R. Burke
Assistant Examiner—Freda S. Nunn
Attorney, Agent, or Firm—Merchant, Gould, Smith, Edell, Welter & Schmidt

[57] CLAIM

The ornamental design for a computer cabinet, as shown and described.

DESCRIPTION

FIG. 1 is a top, front, right side perspective view of a computer cabinet showing our new design;
FIG. 2 is an enlarged front view thereof;
FIG. 3 is an enlarged rear elevational view thereof;
FIG. 4 is an enlarged right side elevational view thereof;
FIG. 5 is an enlarged left side elevational view thereof;
FIG. 6 is an enlarged top plan view thereof.



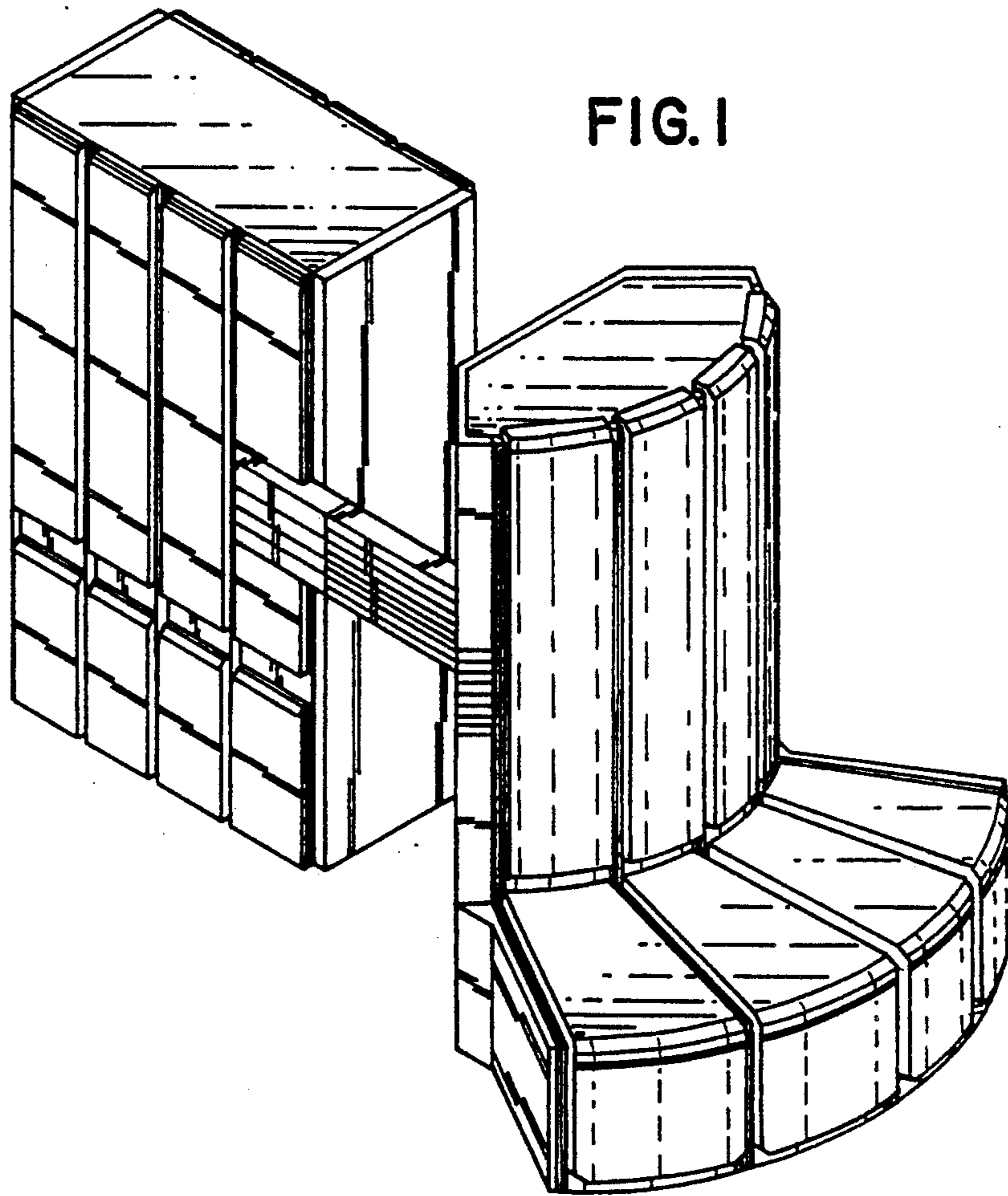


FIG. 2

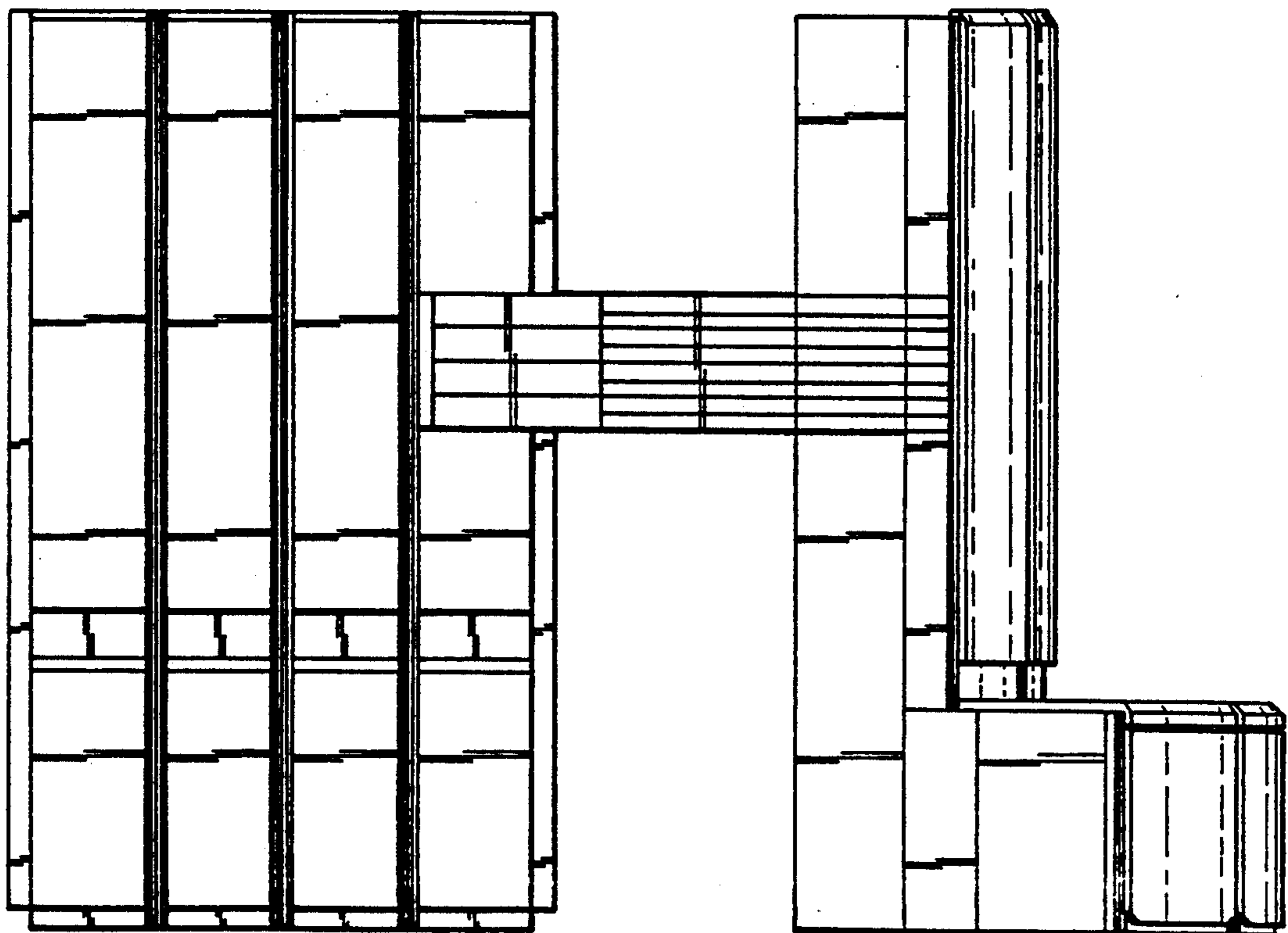


FIG. 3

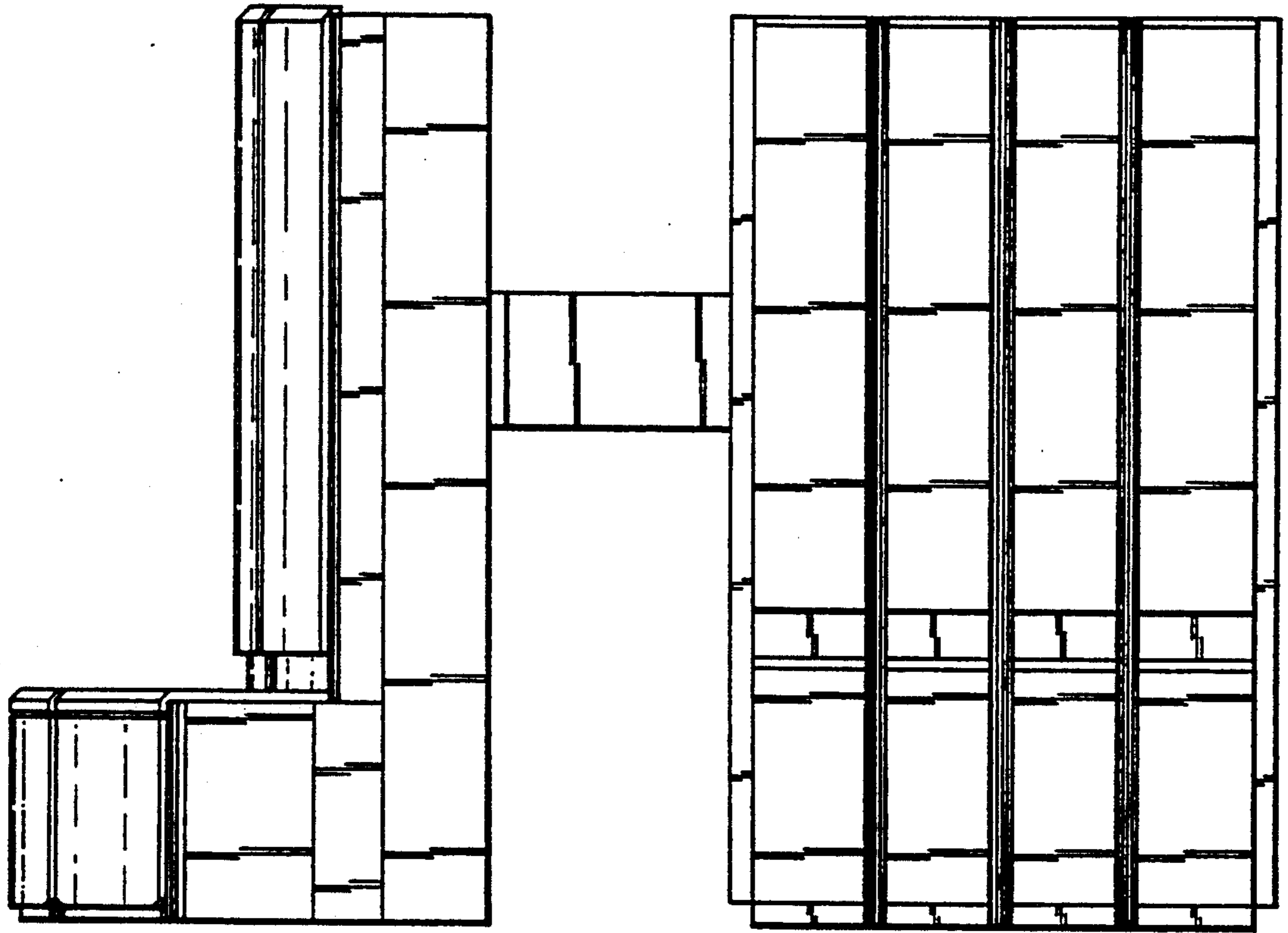


FIG. 4

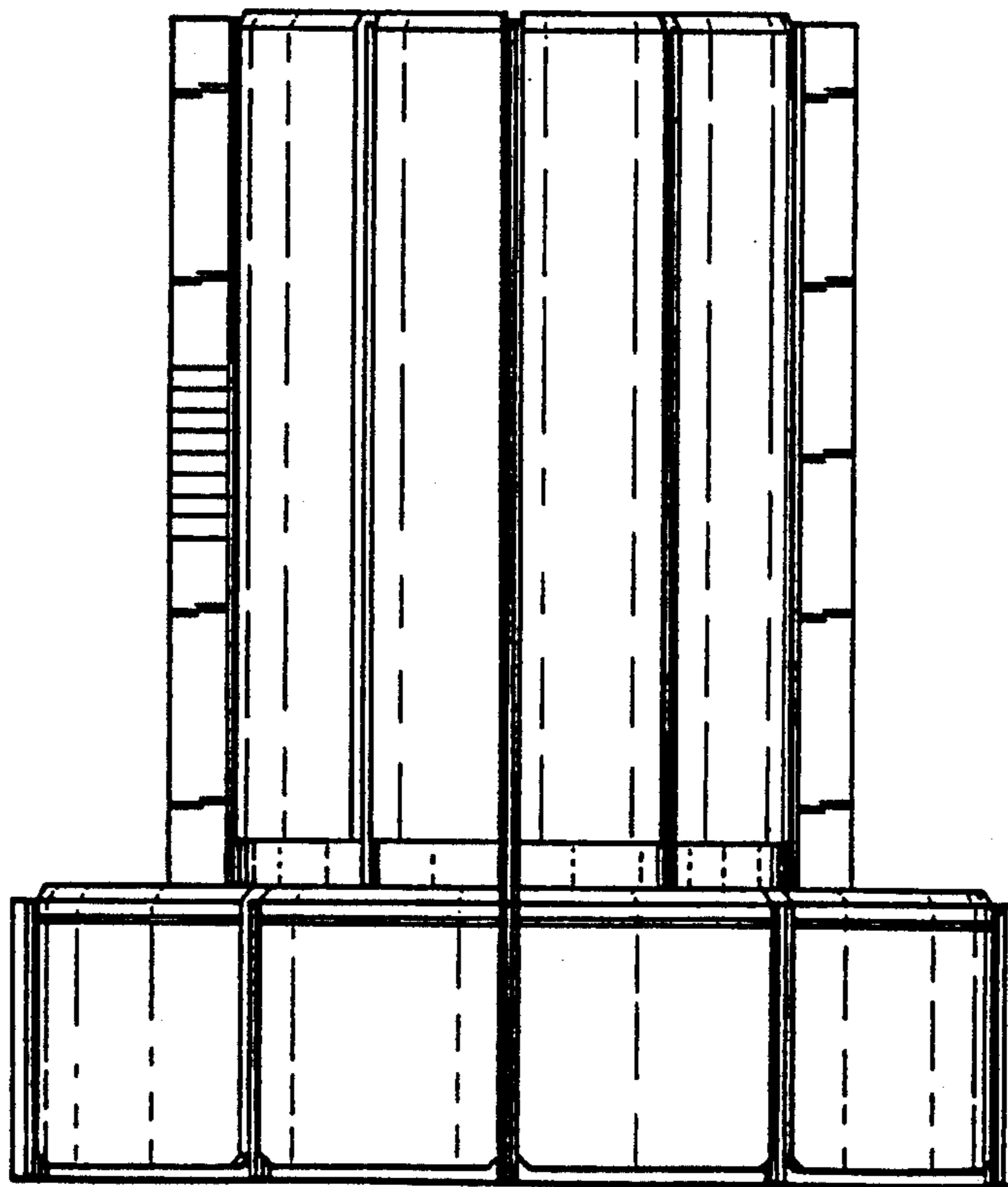


FIG.5

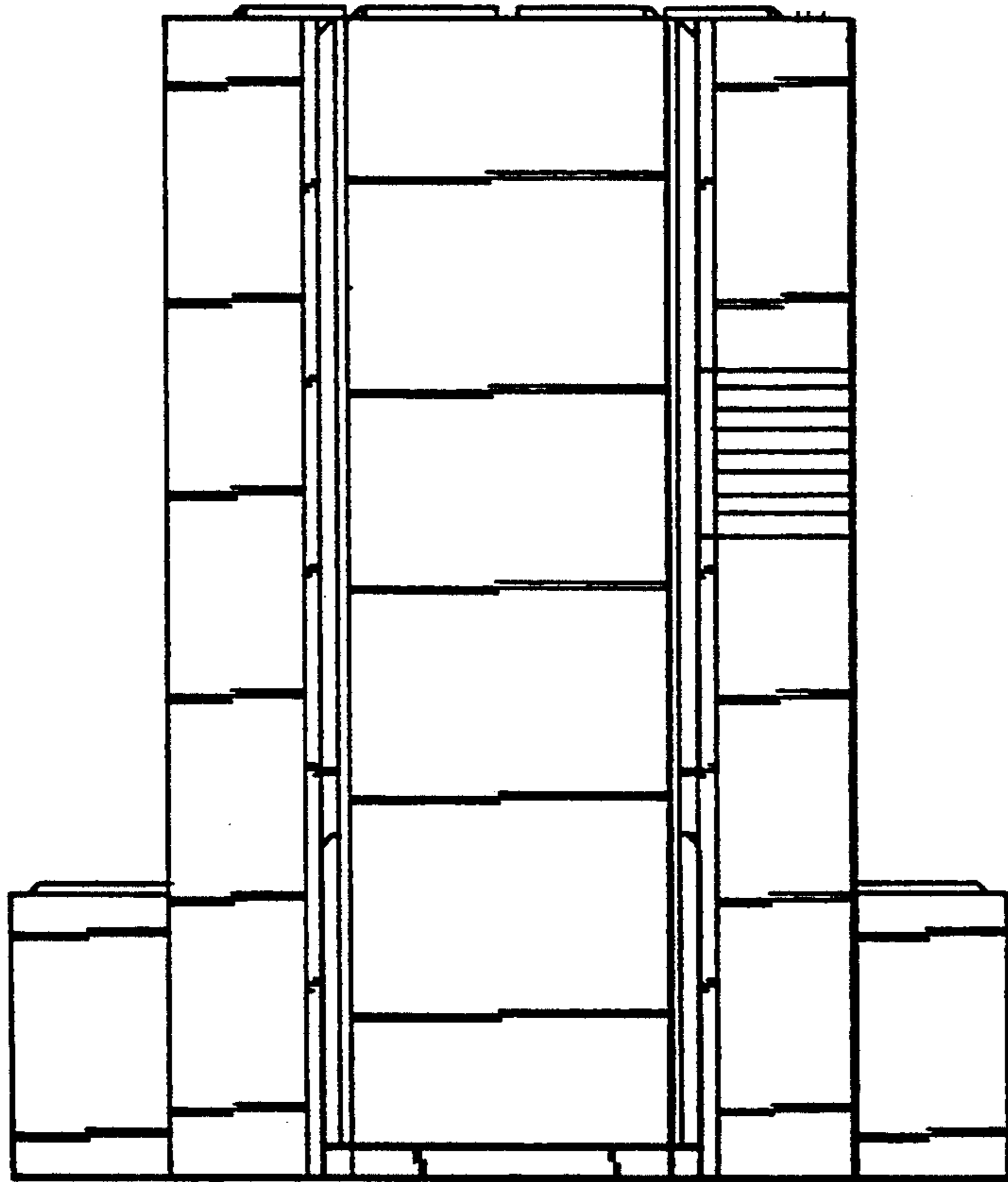


FIG.6

