

United States Patent [19]
McCarthy

[11] **Patent Number: Des. 314,945**
[45] **Date of Patent: ** Feb. 26, 1991**

[54] **HEAT SINK**

[75] **Inventor: Alfred F. McCarthy, Belmont, N.H.**

[73] **Assignee: Aavid Engineering, Inc., Laconia, N.H.**

[**] **Term: 14 Years**

[21] **Appl. No.: 282,290**

[22] **Filed: Dec. 9, 1988**

[52] **U.S. Cl. D13/179**

[58] **Field of Search D13/123, 179; 174/16.1, 174/16.3; 165/80.3, 185; 361/386, 389**

[56] **References Cited**

U.S. PATENT DOCUMENTS

D. 296,778 7/1988 McCarthy D13/179

4,729,426 3/1988 Hinshaw 174/16.3 X
4,872,505 10/1989 Jones et al. 174/16.3 X

Primary Examiner—Wallace R. Burke
Assistant Examiner—Brian N. Vinson
Attorney, Agent, or Firm—Fish & Richardson

[57] **CLAIM**

The ornamental design for a heat sink, as shown.

DESCRIPTION

FIG. 1 is a perspective view of a heat sink showing my new design;

FIG. 2 is a top plan view thereof;

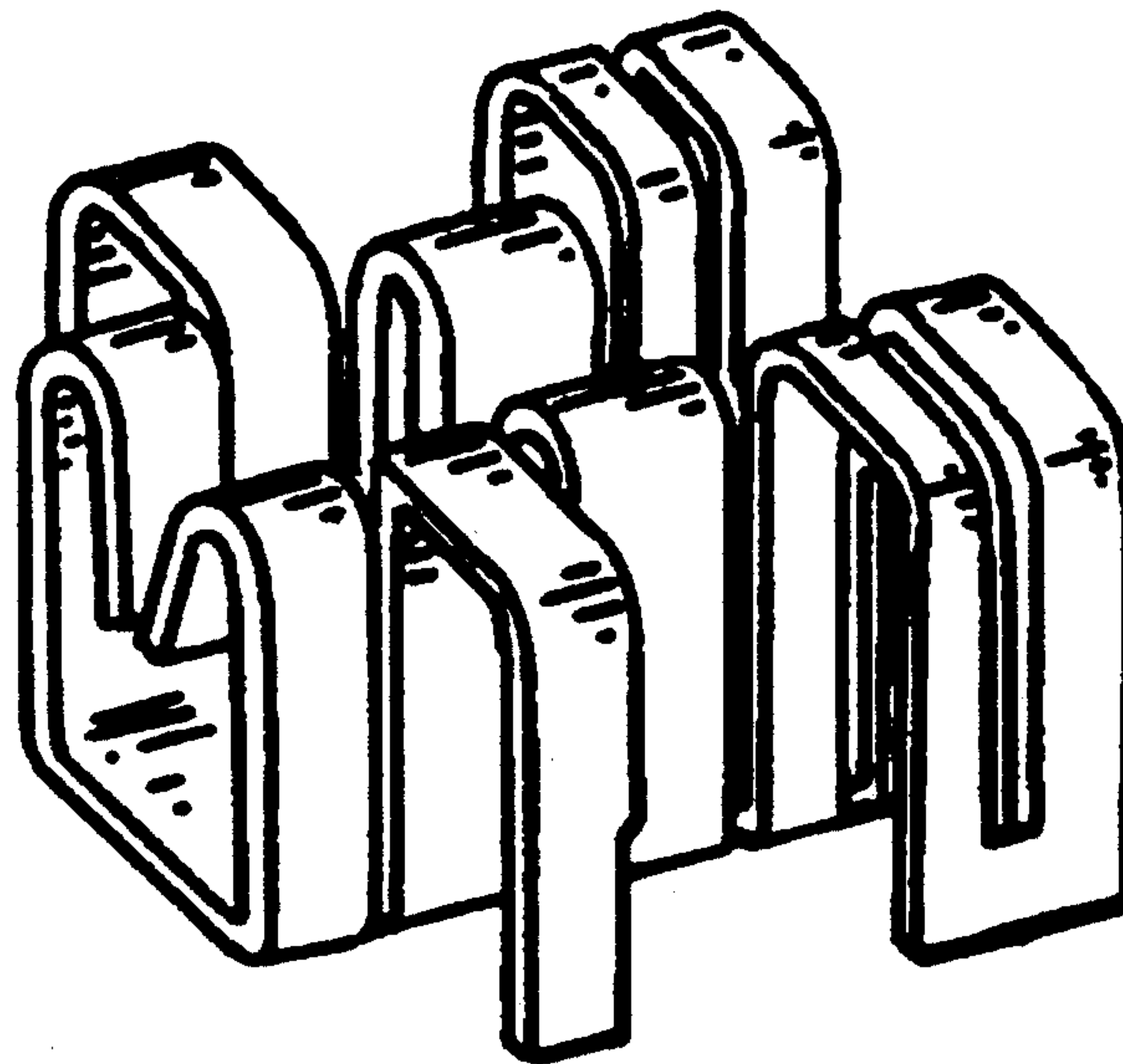
FIG. 3 is a rear elevational view thereof;

FIG. 4 is a left side elevational view thereof;

FIG. 5 is a front elevational view thereof;

FIG. 6 is a right side elevational view thereof; and

FIG. 7 is a bottom plan view thereof.



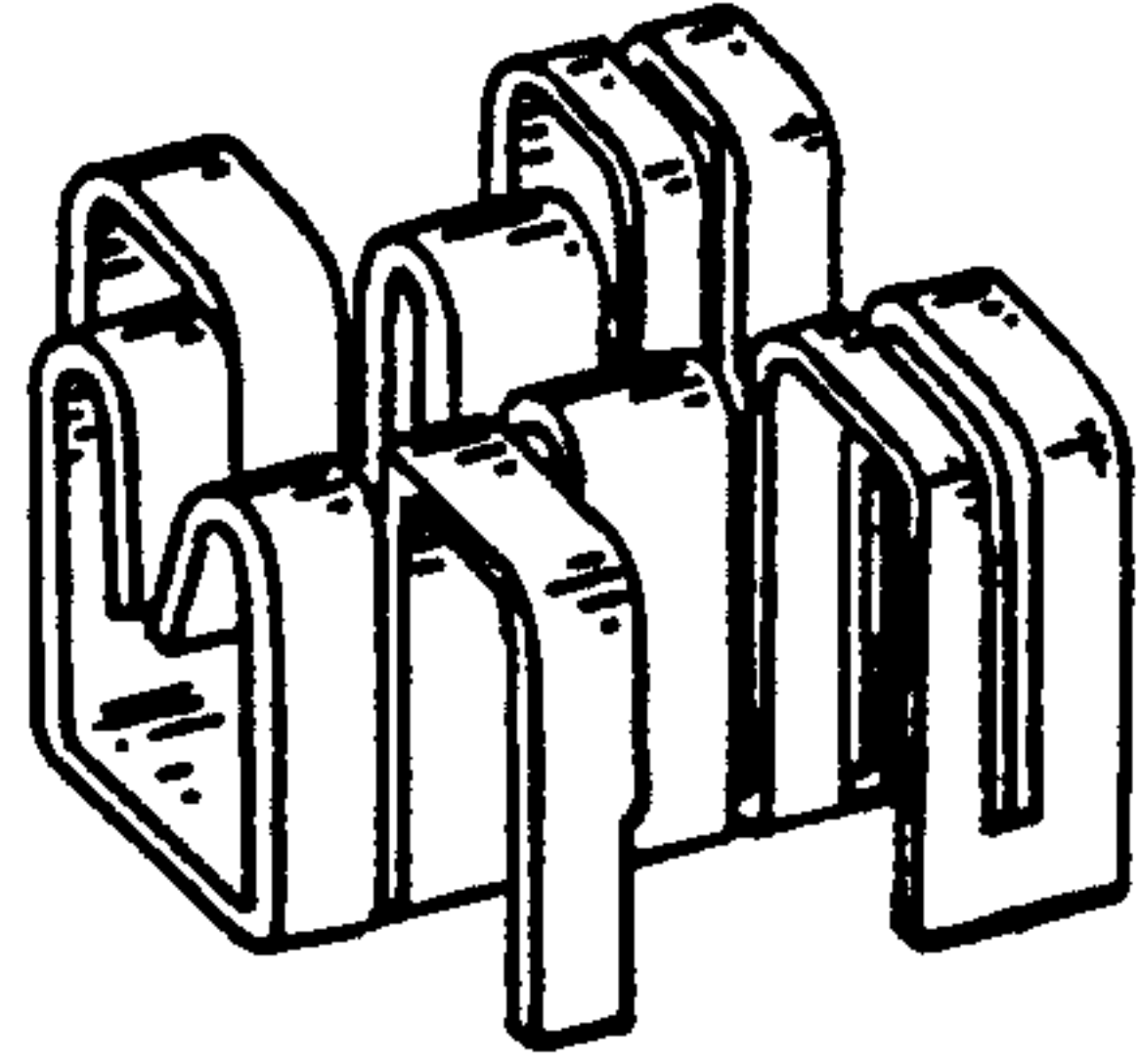


FIG. 1

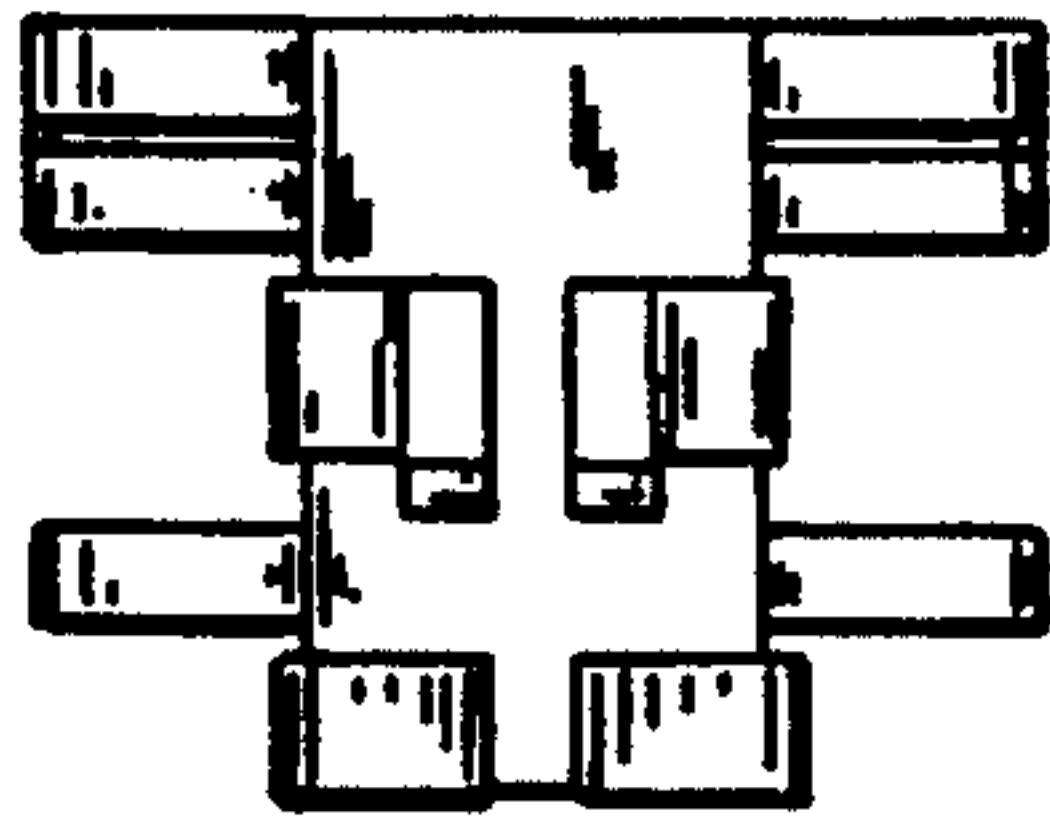


FIG. 2

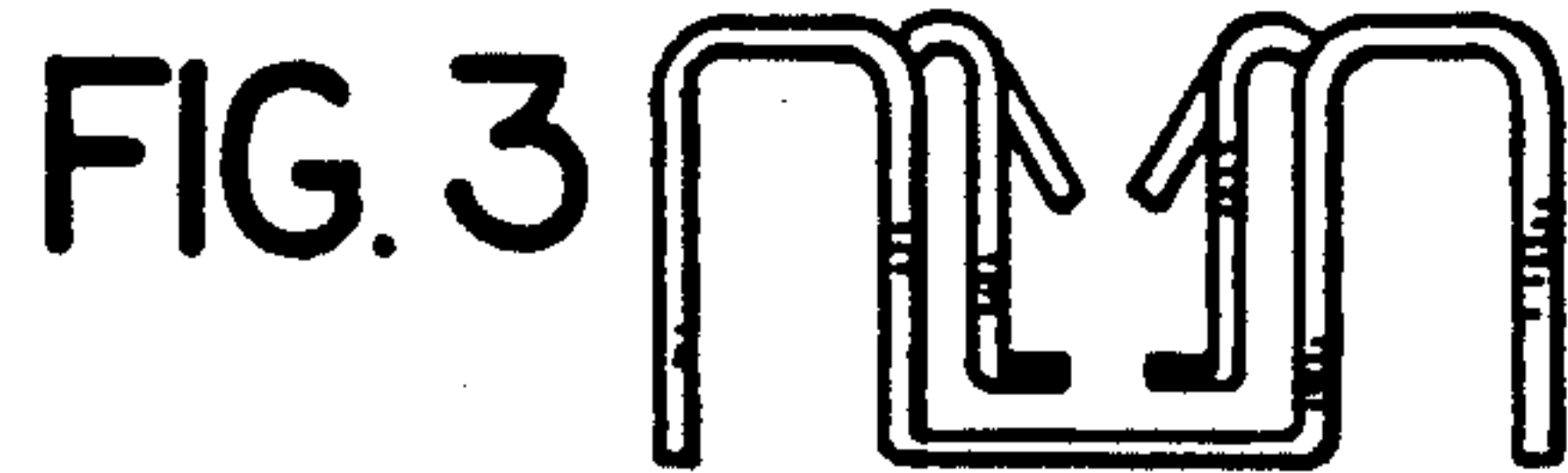


FIG. 3



FIG. 4

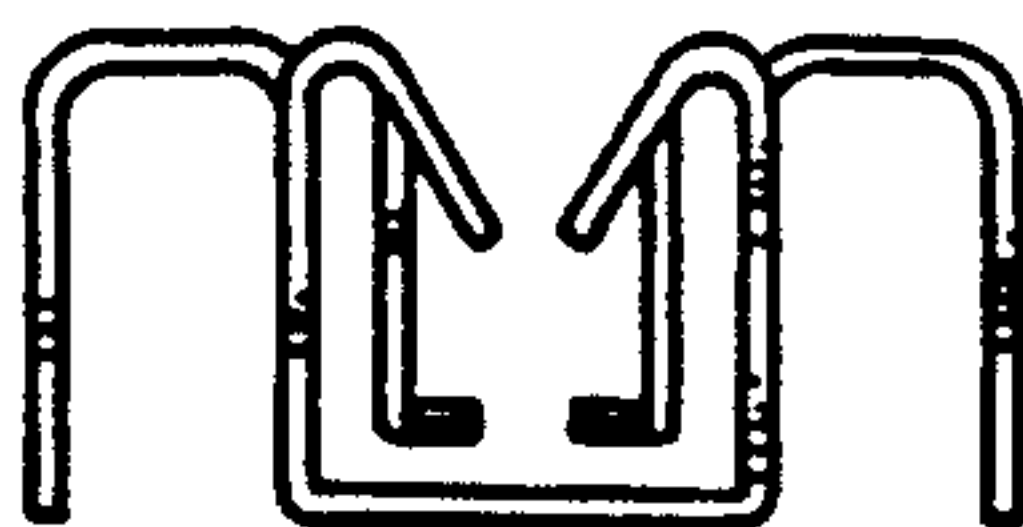


FIG. 5

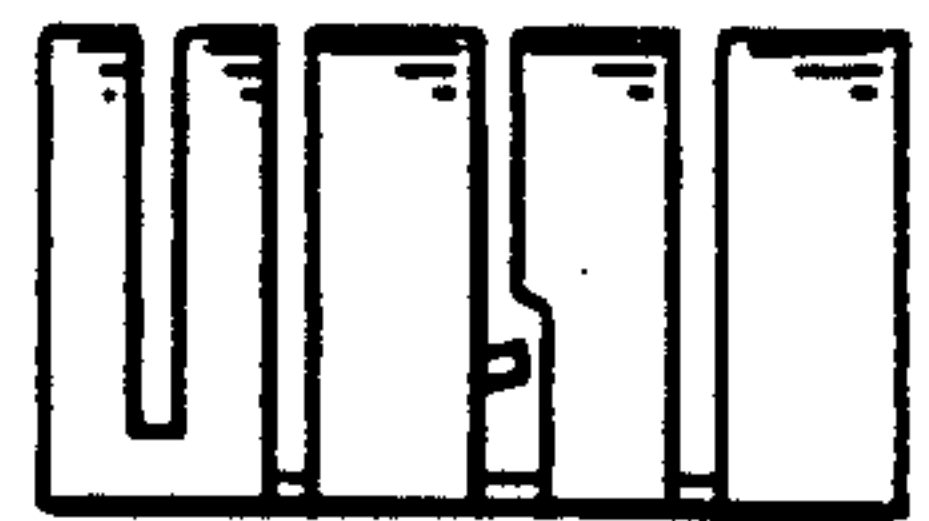


FIG. 6

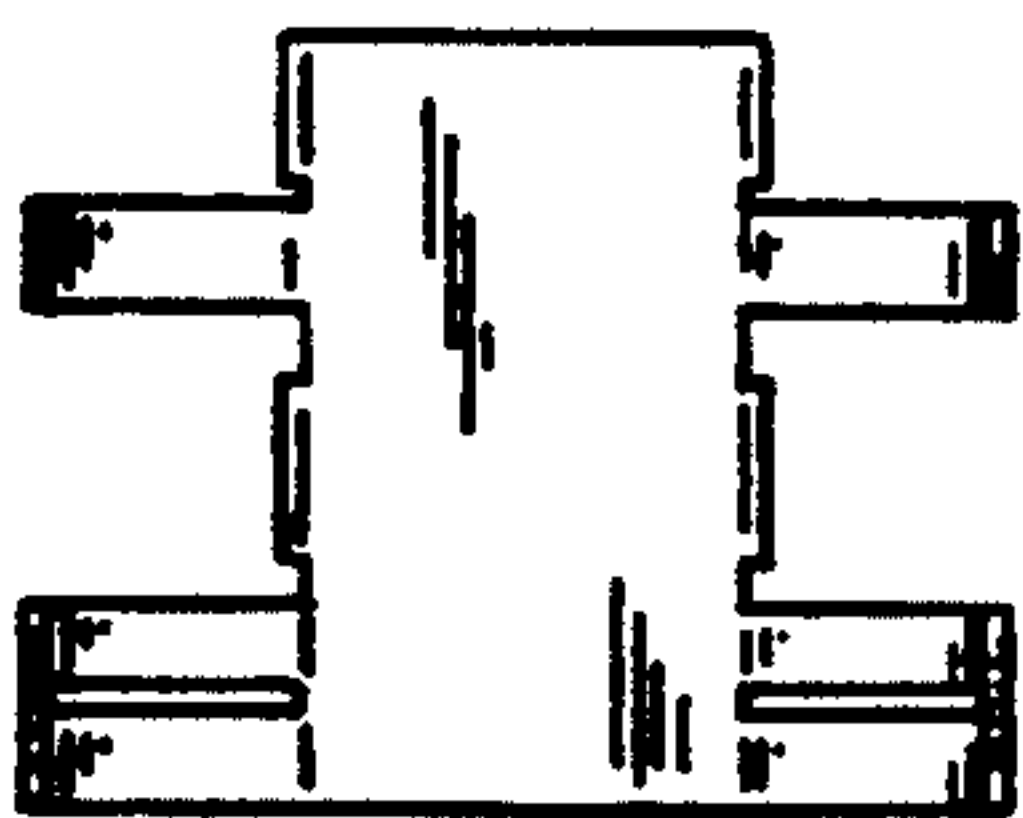


FIG. 7