

[54] **INTERRUPTER UNIT FOR A SWITCH ASSEMBLY**

[75] **Inventor: John Urbanek, Chicago, Ill.**

[73] **Assignee: S&C Electric Company, Chicago, Ill.**

[\*\*] **Term: 14 Years**

[21] **Appl. No.: 67,906**

[22] **Filed: Jun. 29, 1987**

[52] **U.S. Cl. .... D13/160**

[58] **Field of Search ..... D13/32, 34; 200/48 A, 200/48 P, 48 KB, 48 SB, 144 R, 146 R**

[56] **References Cited**

**U.S. PATENT DOCUMENTS**

3,508,178	4/1970	Chabala et al. ....	200/48 R
3,647,996	3/1972	Bernatt et al. ....	200/48
3,787,651	1/1974	Chabala et al. ....	200/146 R
3,909,570	9/1975	Harner et al. ....	200/146 R
4,013,852	3/1977	Roberts et al. ....	200/146 R
4,103,129	7/1978	Evans et al. ....	200/144 R
4,107,487	8/1978	Evans ....	200/48 KB
4,126,773	12/1978	Bernatt et al. ....	200/146 R

**FOREIGN PATENT DOCUMENTS**

675244 12/1963 Canada ..... 200/48 R

**OTHER PUBLICATIONS**

Descriptive Bulletin 761-30, dated Apr. 16, 1984, entitled "S&C Alduti-Rupter ® Switches".

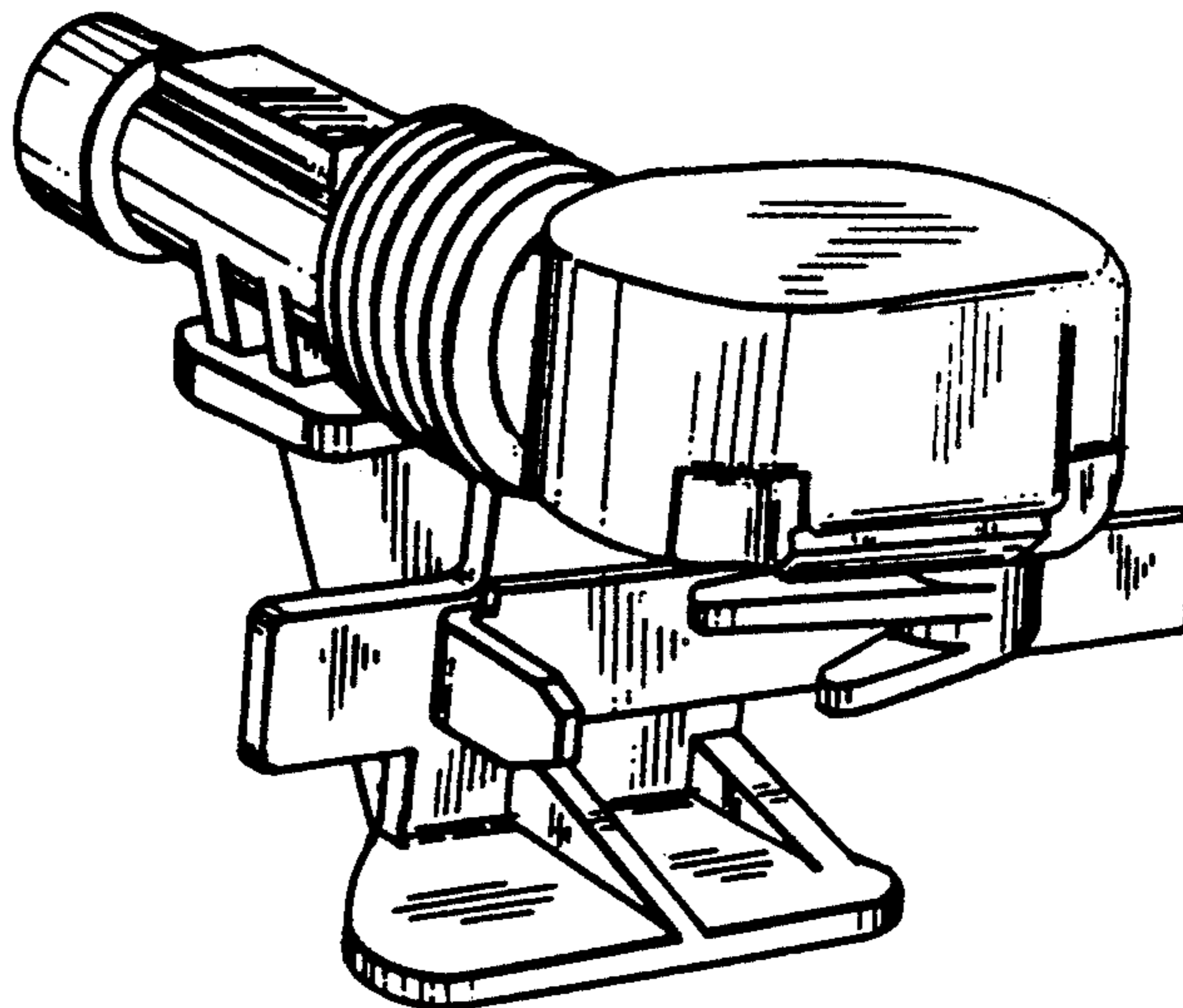
*Primary Examiner*—Susan J. Lucas  
*Assistant Examiner*—Joel Sincavage  
*Attorney, Agent, or Firm*—James V. Lapacek

[57] **CLAIM**

The ornamental design for an interrupter unit for a switch assembly, as shown and described.

**DESCRIPTION**

FIG. 1 is a perspective view of an interrupter unit for a switch assembly showing my new design; FIG. 2 is a front elevational view thereof; FIG. 3 is a rear elevational view thereof; FIG. 4 is a bottom plan view thereof; FIG. 5 is a left side elevational view thereof; FIG. 6 is a top-plan view thereof; and FIG. 7 is a right side elevational view thereof.



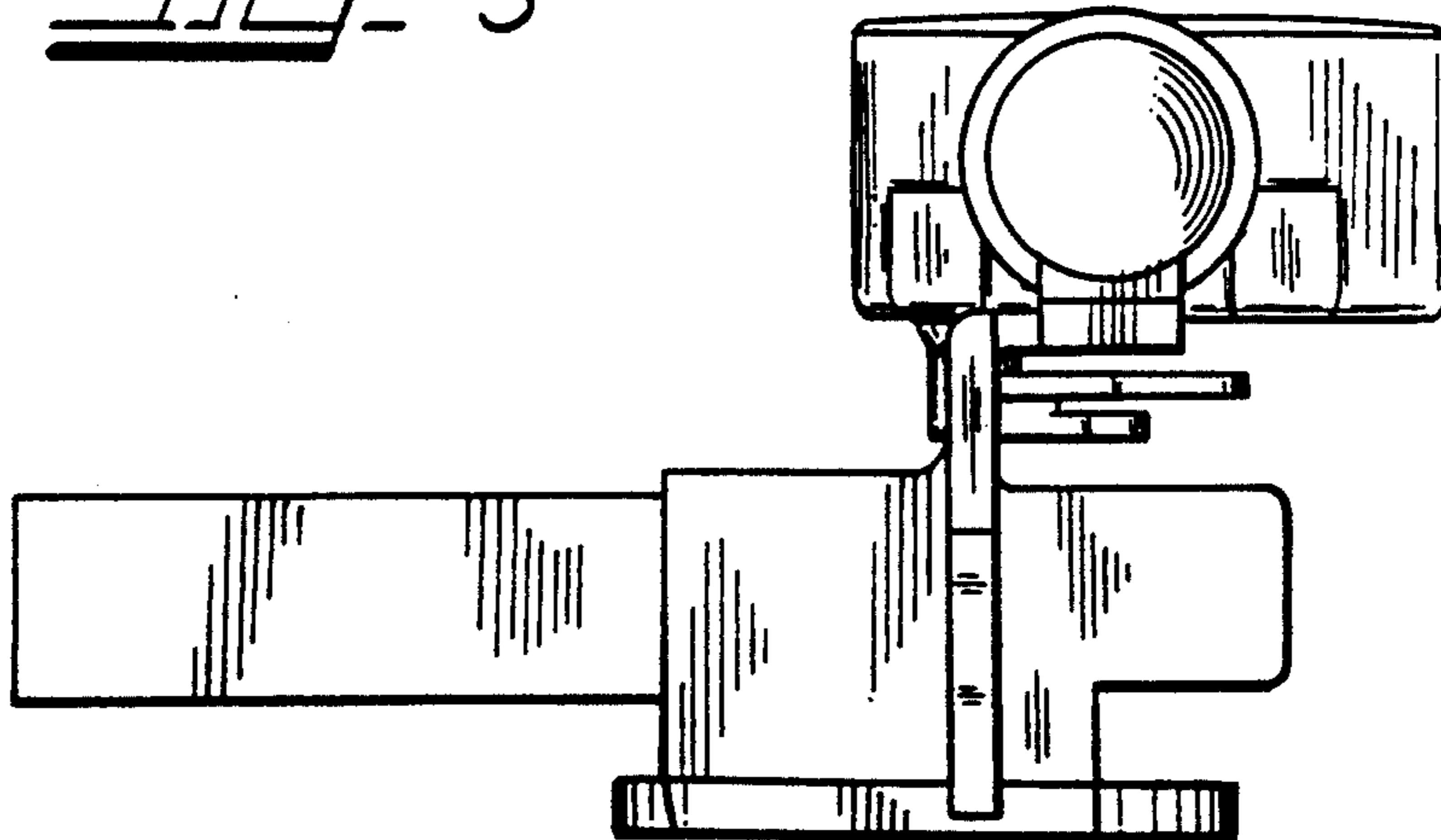
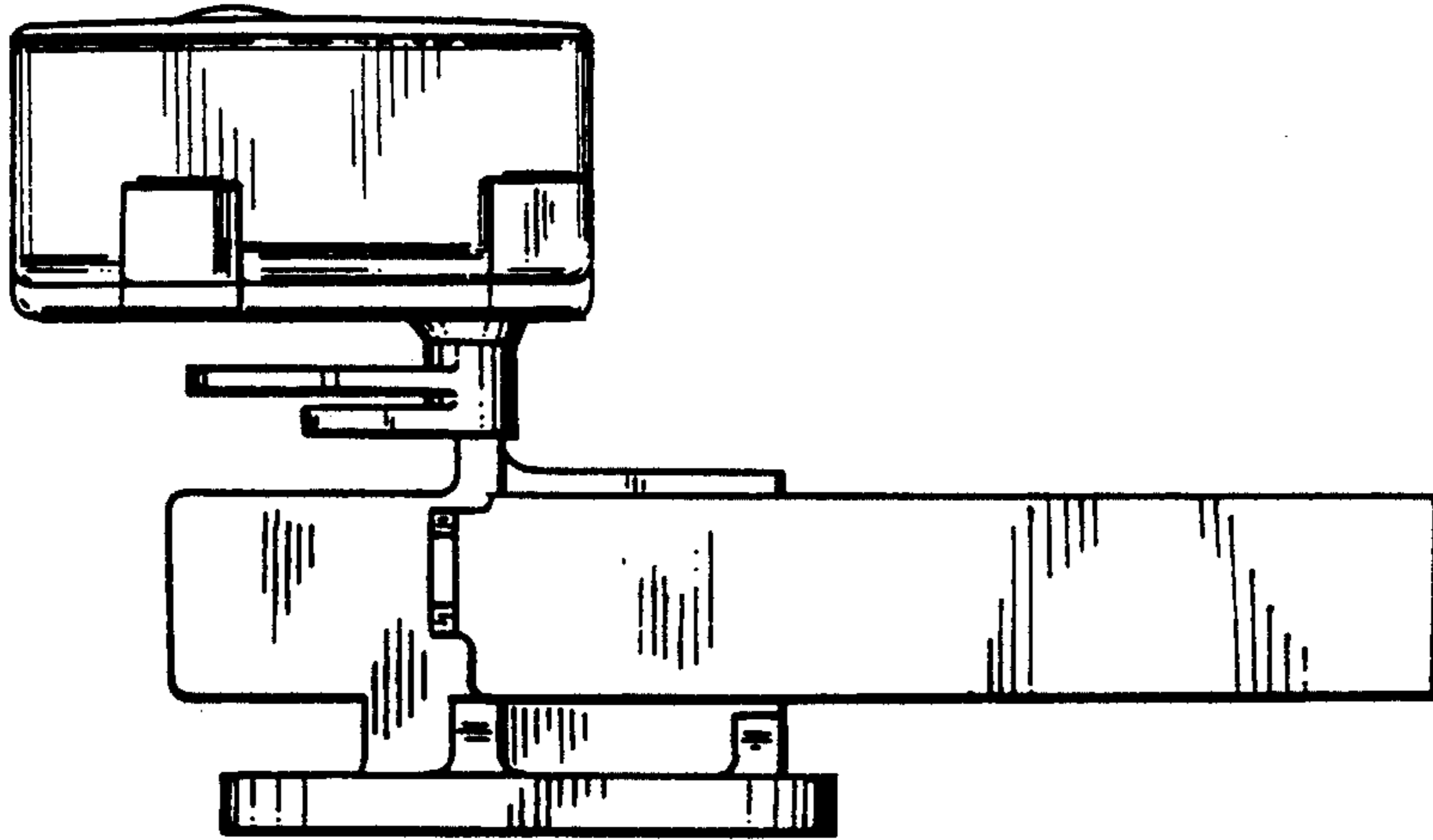
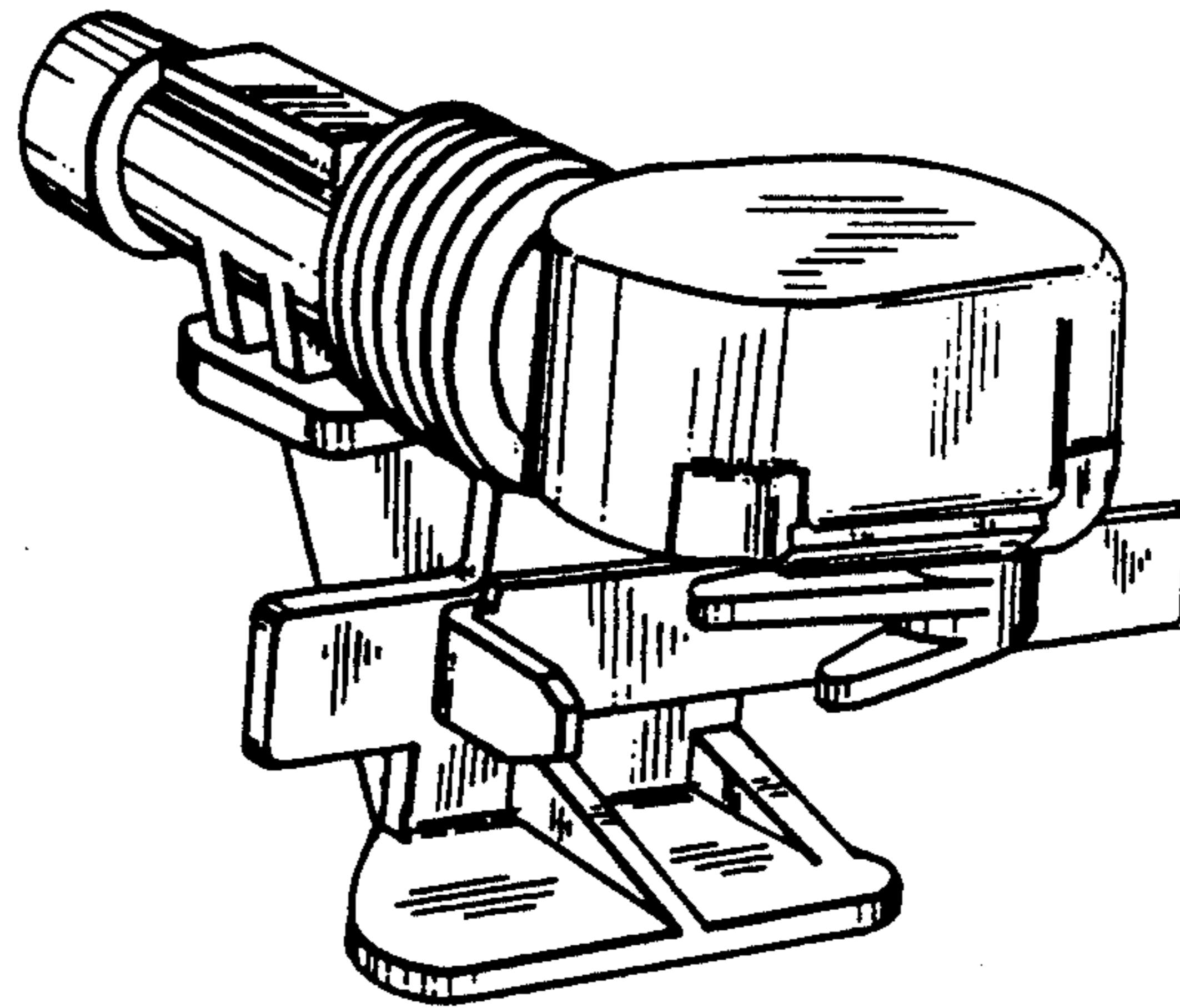


FIG. 7

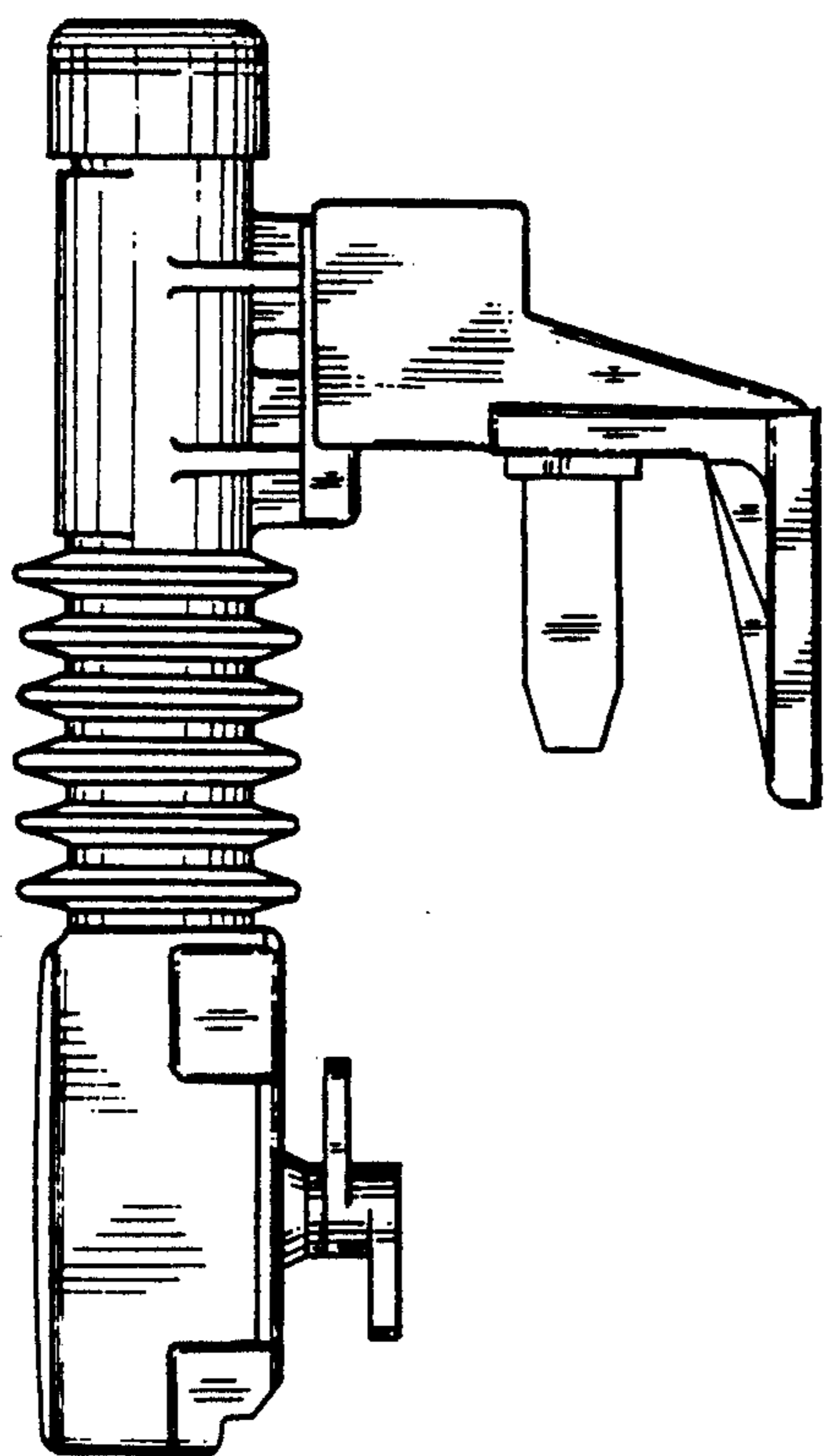


FIG. 5

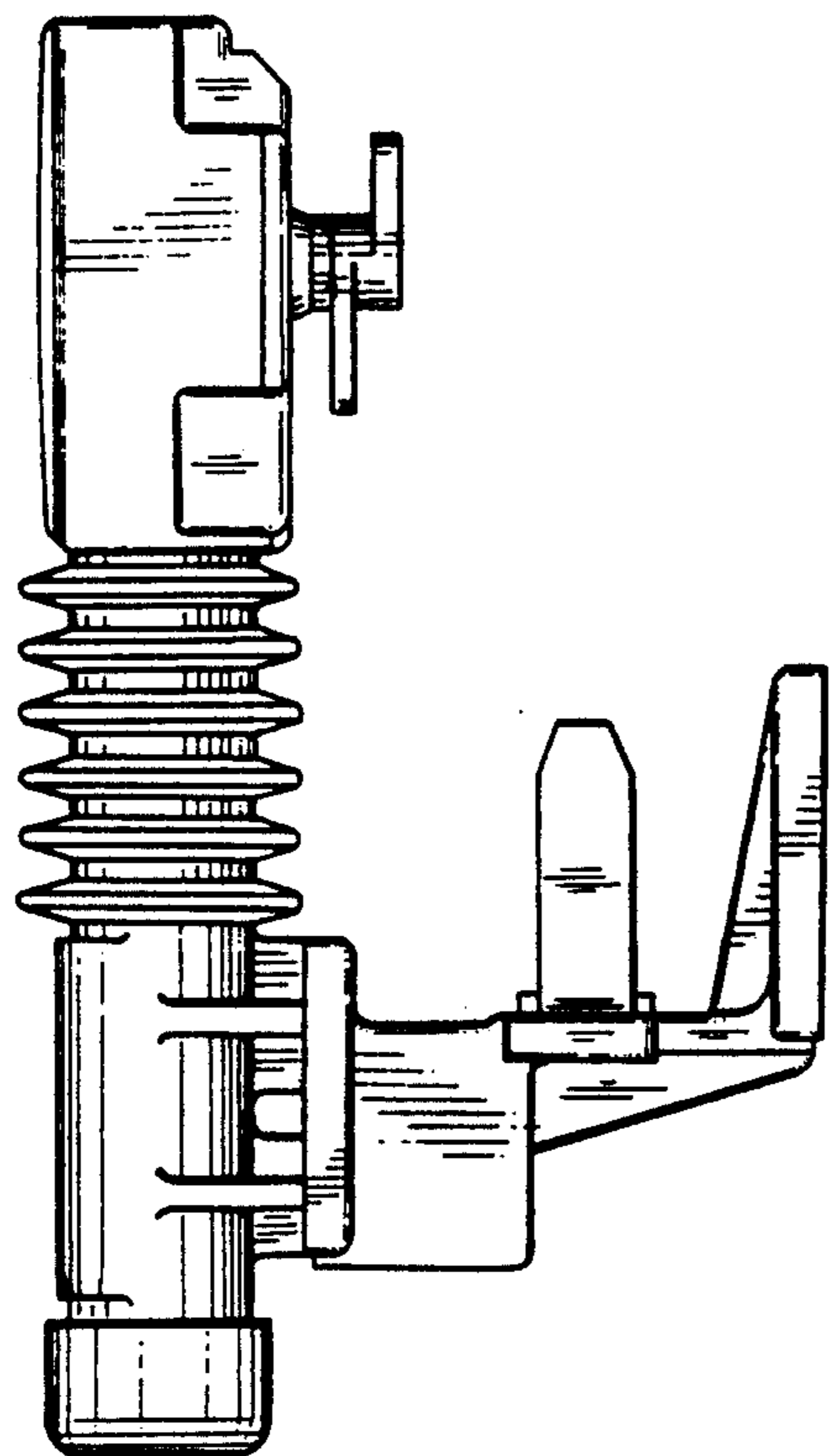


FIG. 6

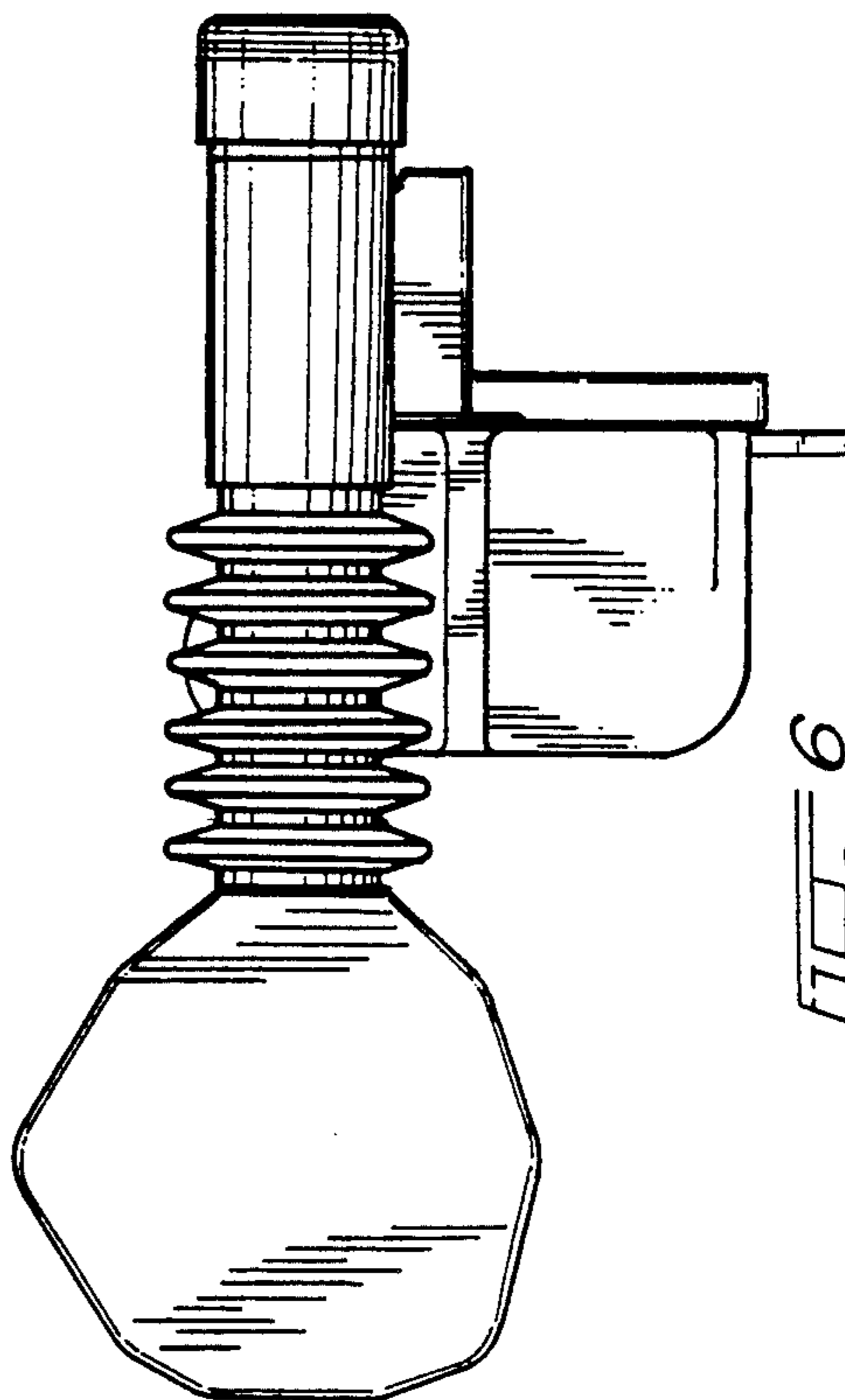


FIG. 4

