

[54] **RF COAXIAL CONNECTOR**

[75] **Inventors: Ryusuke Amachi, Nishinomiya; Masanori Tanaka, Osaka, both of Japan**

[73] **Assignee: Hosiden Electronics Co., Ltd., Osaka, Japan**

[\*\*] **Term: 14 Years**

[21] **Appl. No.: 171,519**

[22] **Filed: Mar. 21, 1988**

[30] **Foreign Application Priority Data**

Sep. 25, 1987 [JP]	Japan	62-39214
[52] U.S. Cl.		<b>D13/133</b>
[58] Field of Search		D13/133, 151; 439/578-585, 63; 350/96.2

[56] **References Cited**

**U.S. PATENT DOCUMENTS**

4,659,156	4/1987	Johnescu et al.	439/63
4,710,138	12/1987	Bradley et al.	439/63 X
4,741,703	5/1988	Johnescu et al.	439/63

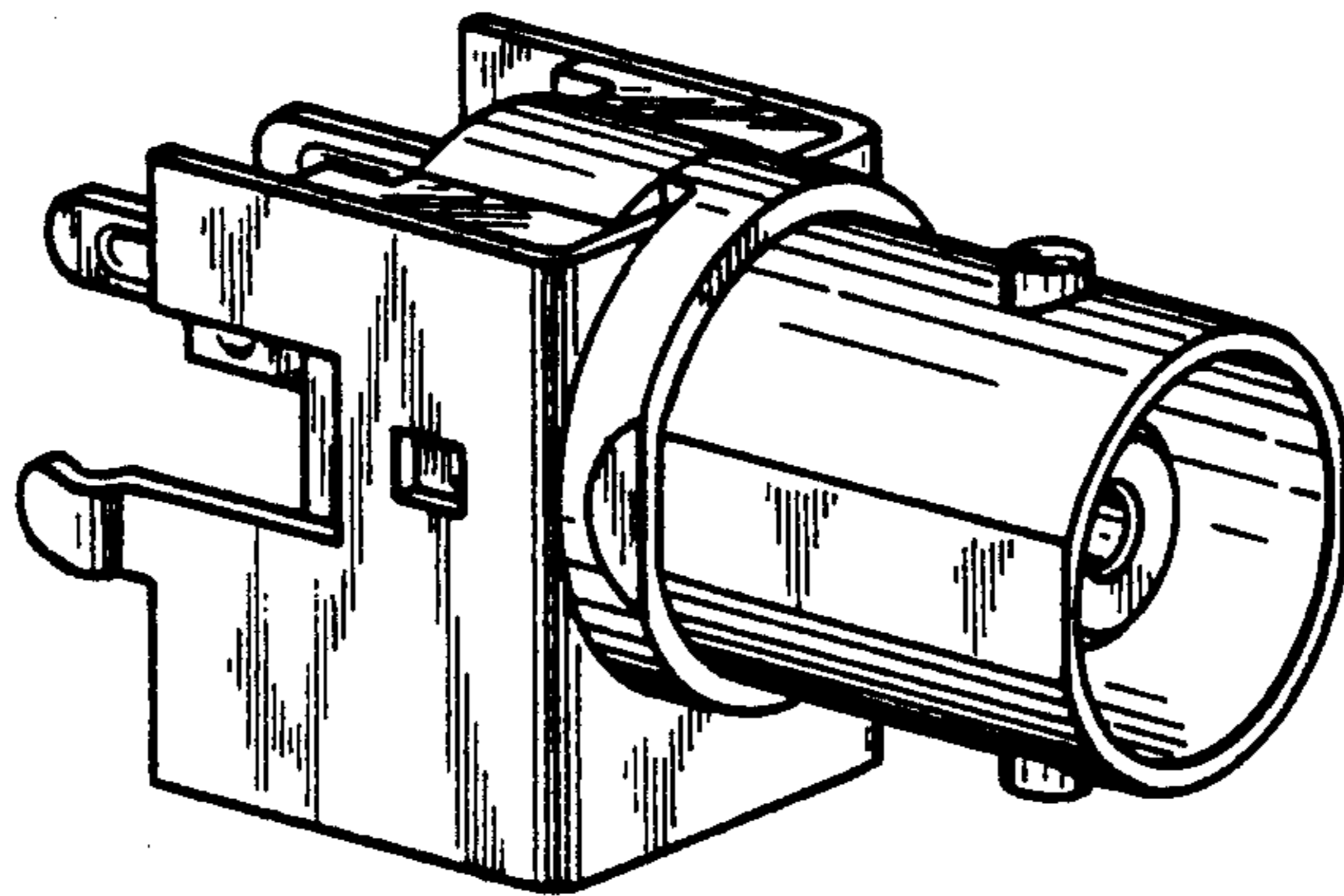
*Primary Examiner*—Susan J. Lucas  
*Assistant Examiner*—Joel Sincavage  
*Attorney, Agent, or Firm*—Pollock, VandeSande and Priddy

[57] **CLAIM**

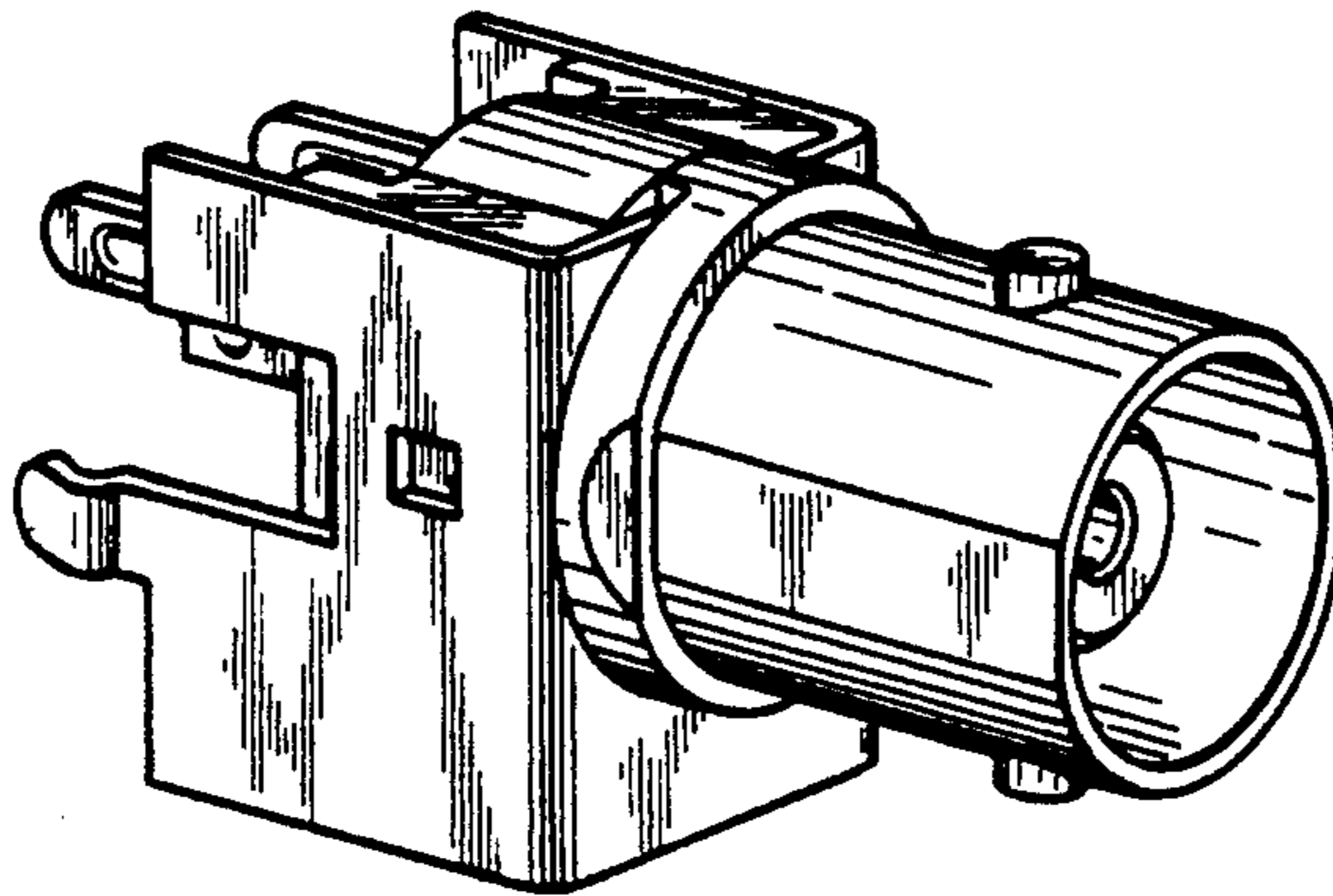
The ornamental design for a RF coaxial connector, as shown and described.

**DESCRIPTION**

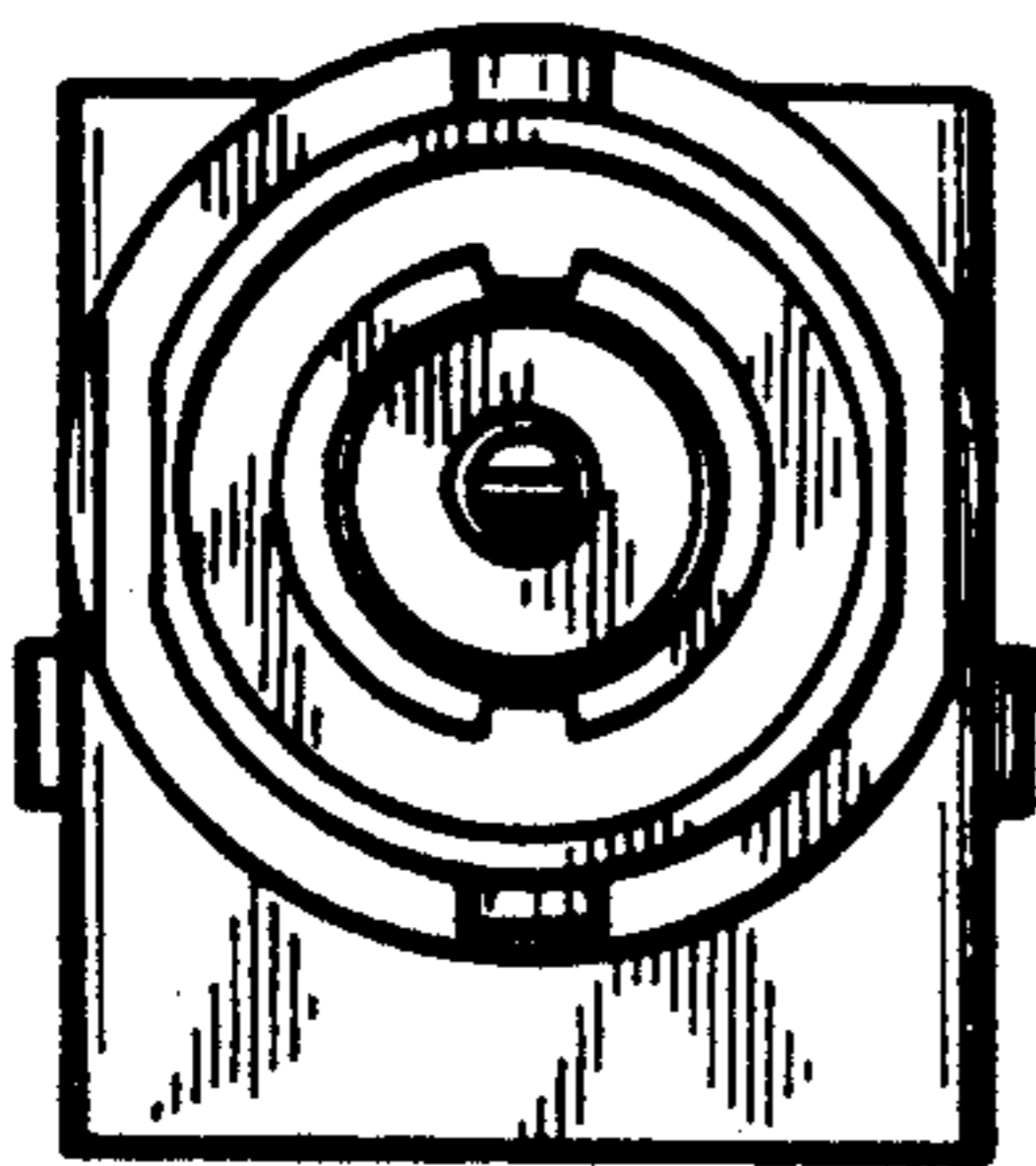
FIG. 1 is a front perspective view of a RF coaxial connector showing our new design; FIG. 2 is a front elevational view thereof; FIG. 3 is a right side elevational view thereof; FIG. 4 is a rear elevational view thereof; FIG. 5 is a right side elevational view thereof; FIG. 6 is a top plan view thereof, and FIG. 7 is a bottom plan view thereof.



*FIG. 1*



*FIG. 2*



*FIG. 3*

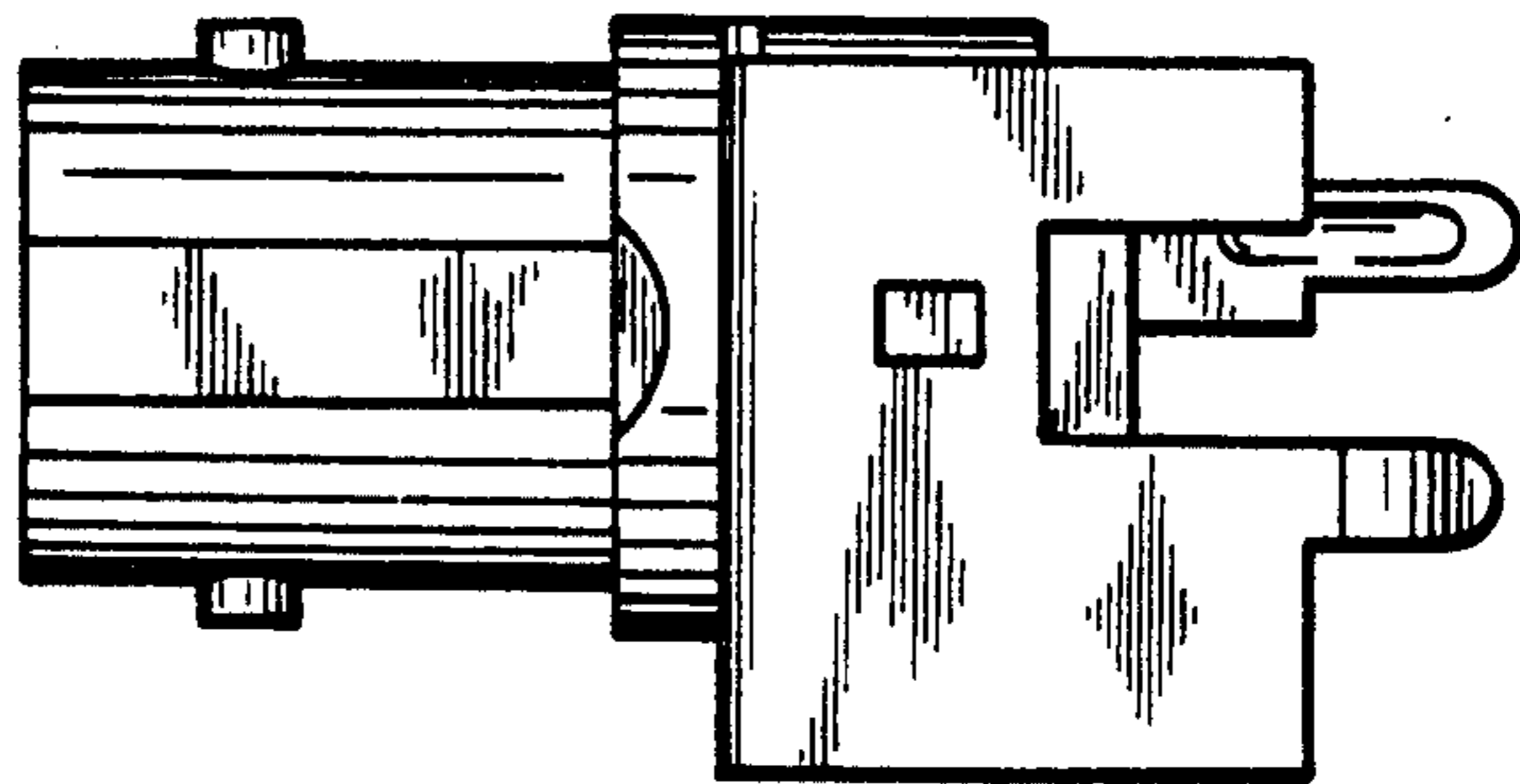


FIG. 4

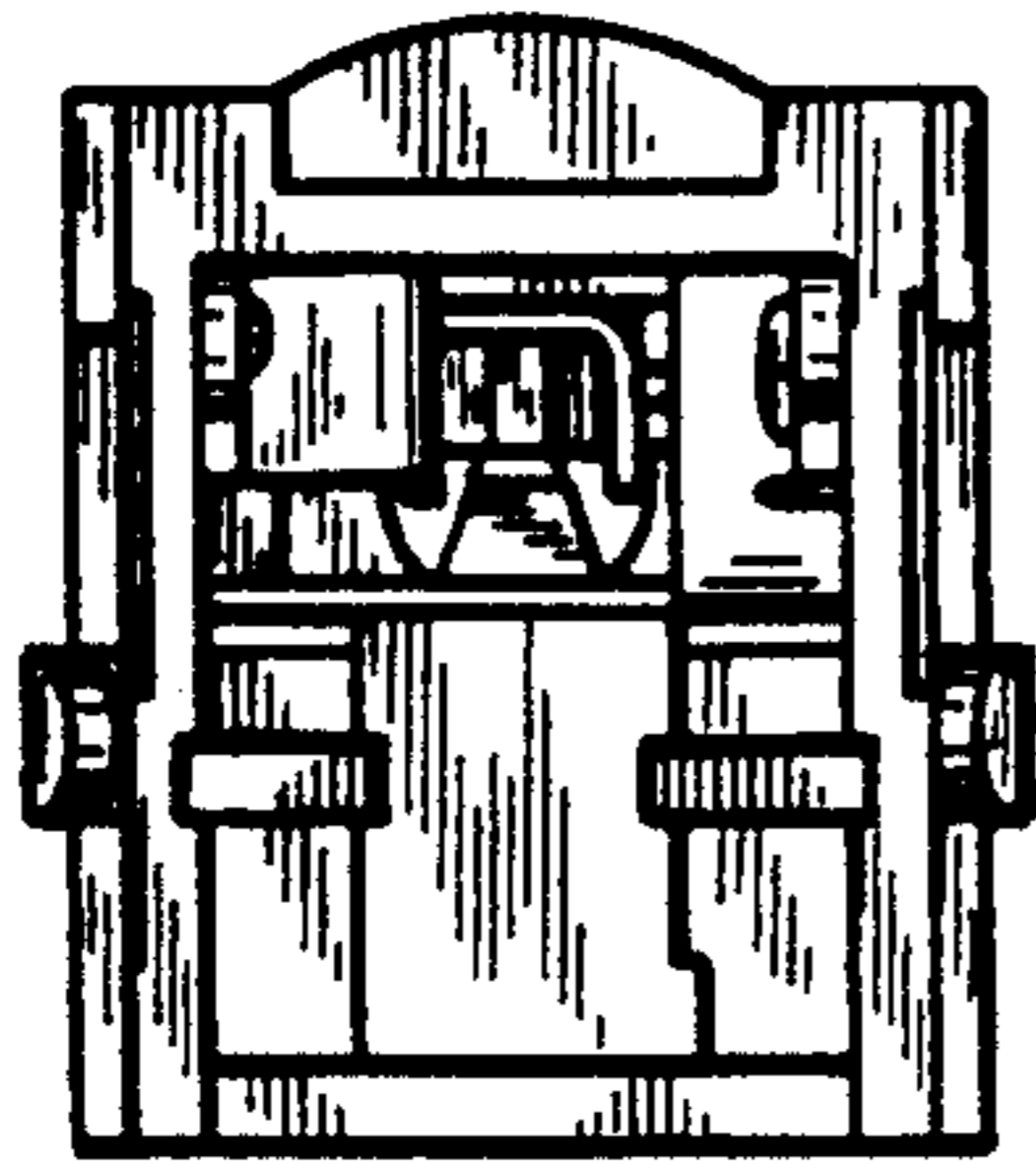


FIG. 5

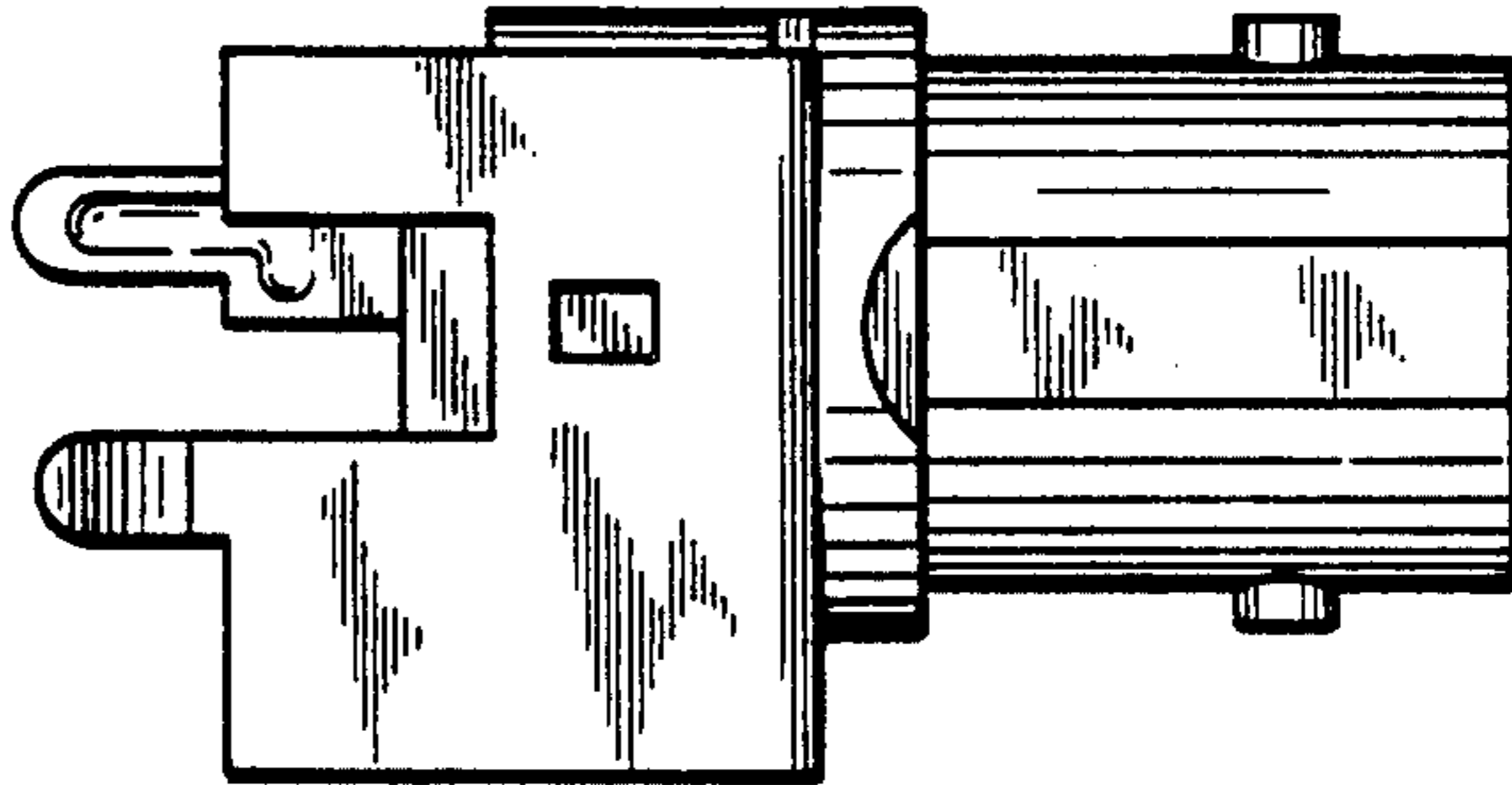


FIG. 6

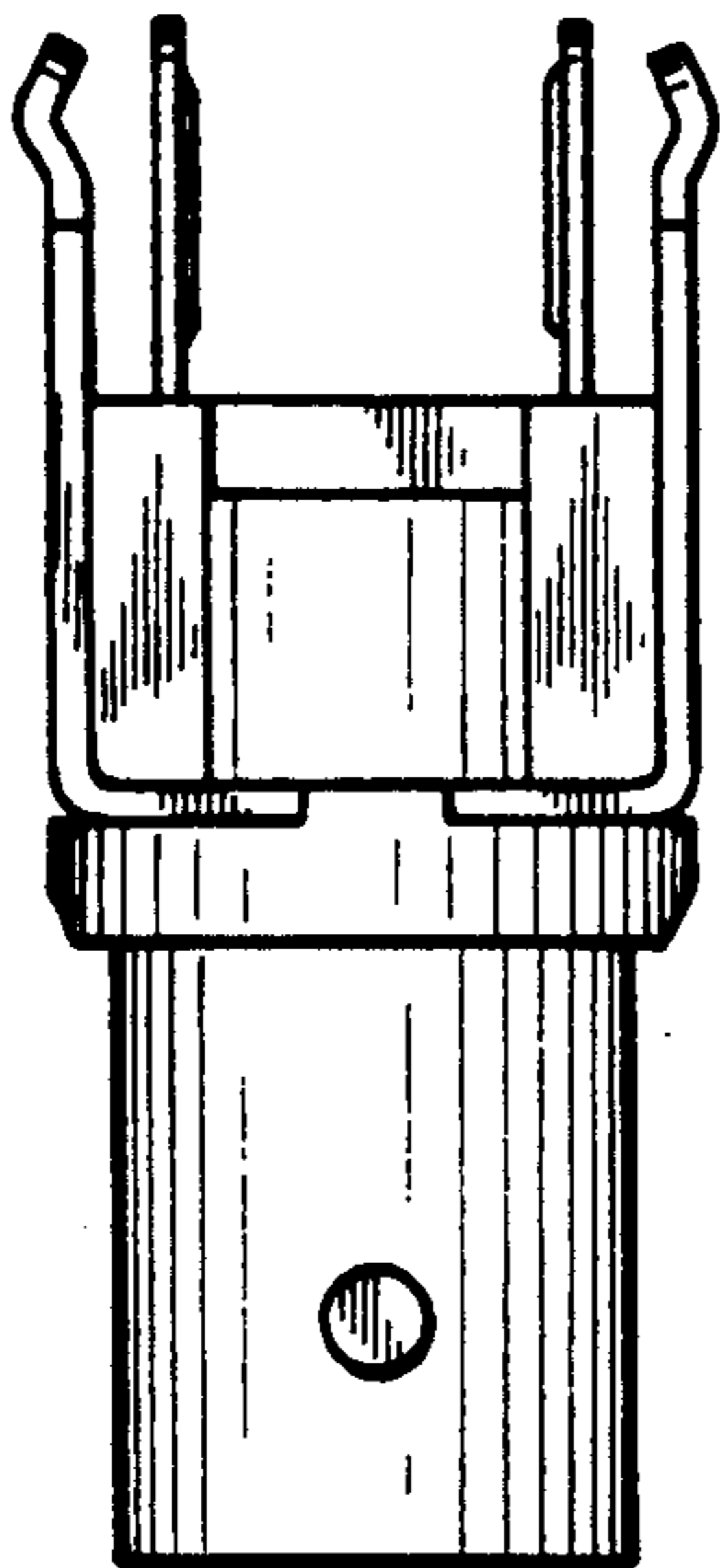


FIG. 7

