

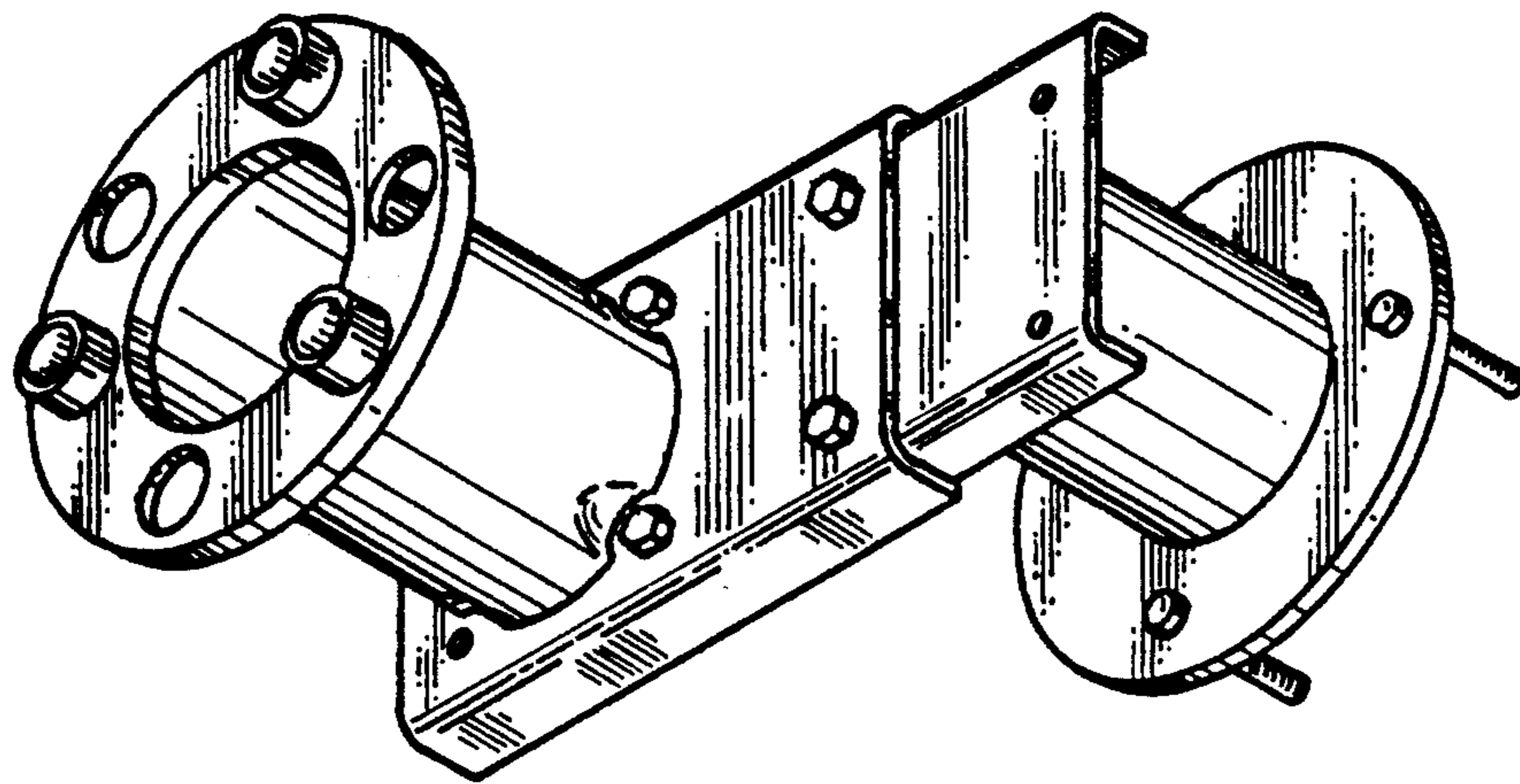
[54] **OFFSET WHEEL AXLE EXTENSION FOR VEHICLE**
[76] **Inventor: Roger B. Collins, 10 Kauri Ct., Palm Beach Qld., Australia**
[**] **Term: 14 Years**
[21] **Appl. No.: 139,712**
[22] **Filed: Dec. 29, 1987**
[52] **U.S. Cl. D12/160**
[58] **Field of Search D12/160, 202; 301/128, 301/130, 124 R, 111**

[56] **References Cited**
U.S. PATENT DOCUMENTS
D. 243,839 5/1977 Driscoll D12/202
4,708,397 11/1987 Weinmann 301/128

Primary Examiner—James M. Gandy
Assistant Examiner—Melody Brown
Attorney, Agent, or Firm—L. Dan Tucker

[57] **CLAIM**
The ornamental design for an offset wheel axle extension for vehicle, as shown.

DESCRIPTION
FIG. 1 is a bottom, front perspective view of an offset wheel axle extension for vehicle showing my new design;
FIG. 2 is a bottom rear perspective view thereof;
FIG. 3 is an enlarged top plan view thereof;
FIG. 4 is a side elevation view thereof on a reduced scale; and
FIG. 5 is an opposite side elevation view thereof on a reduced scale.



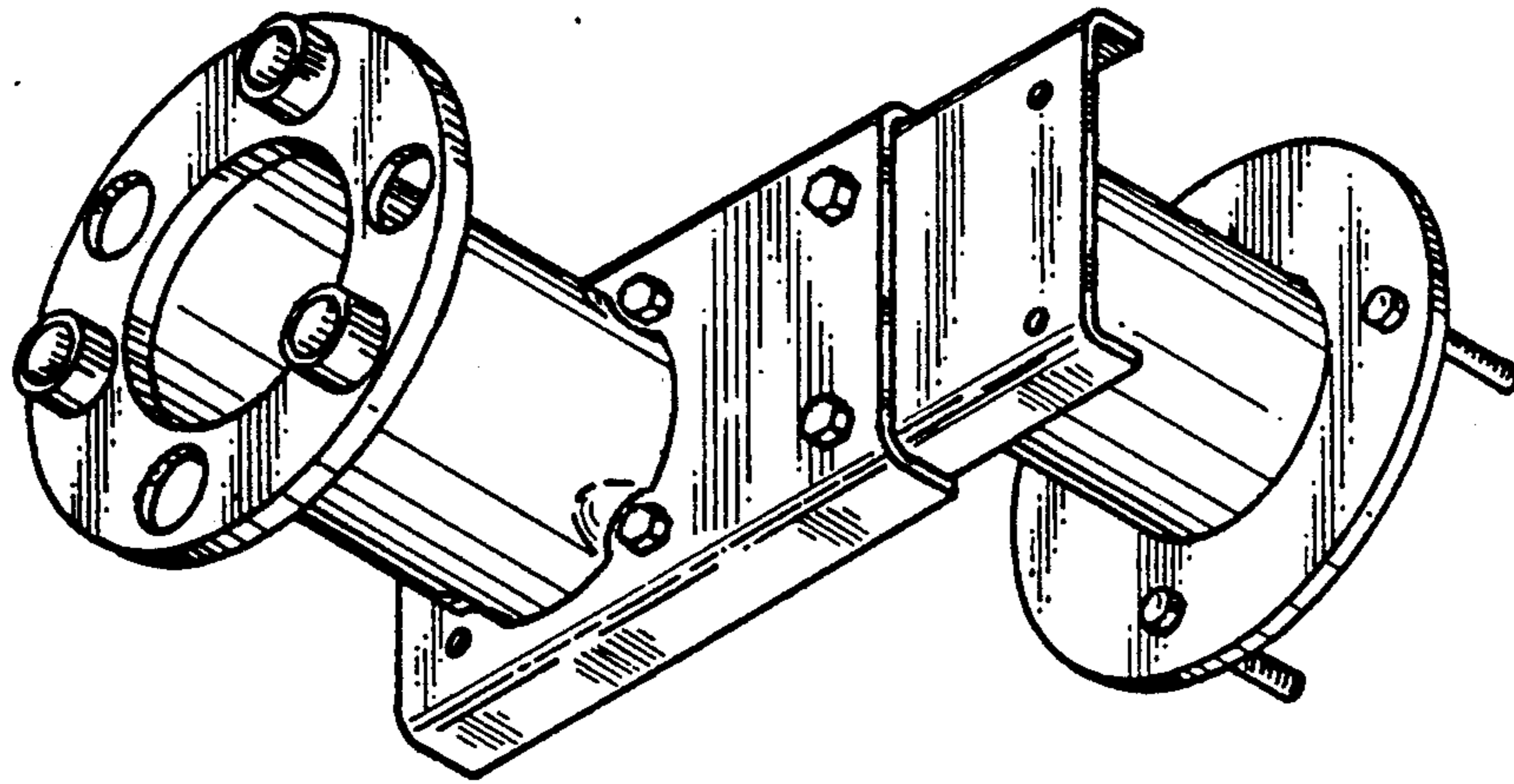


FIG. 1

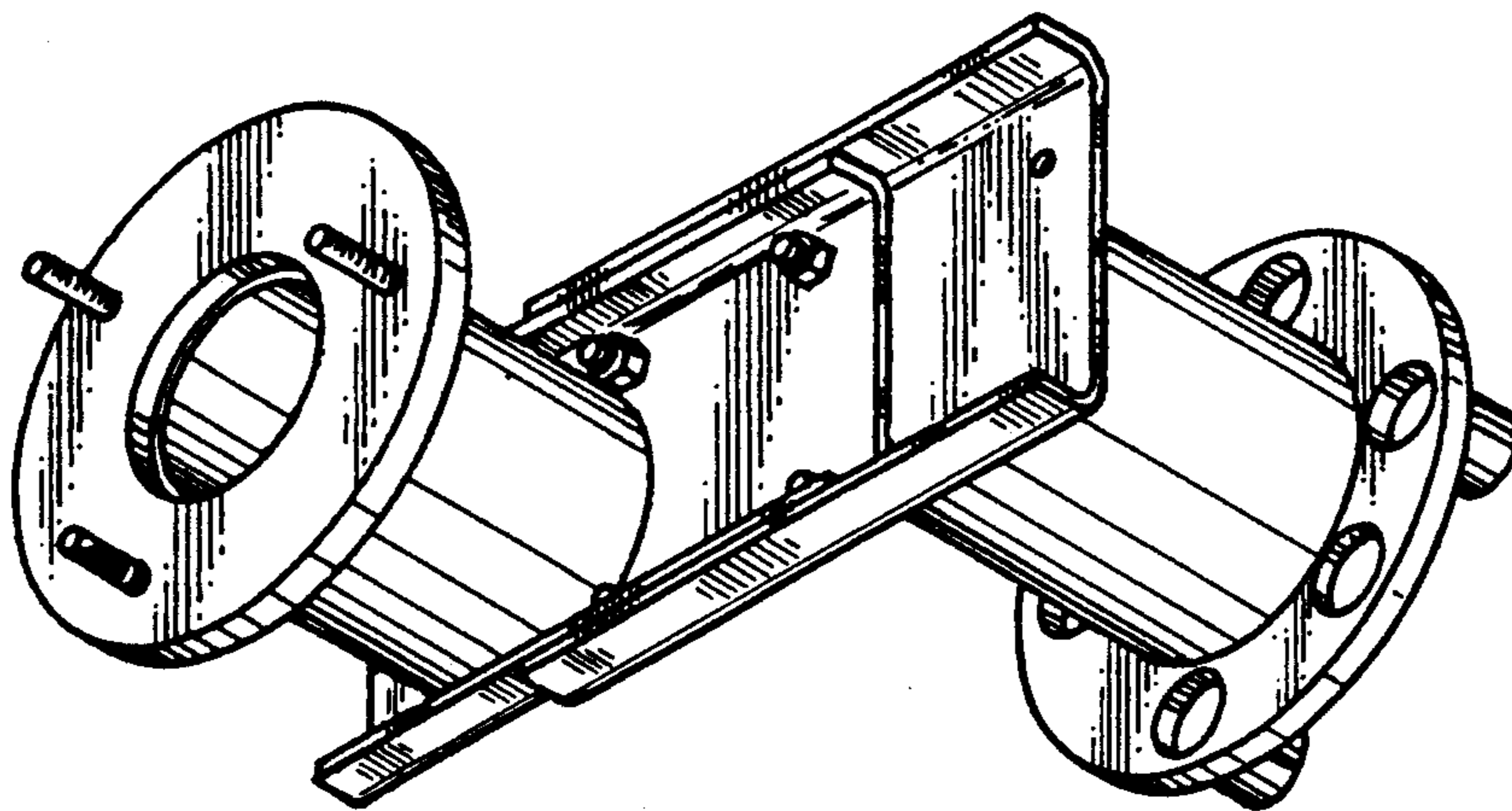


FIG. 2

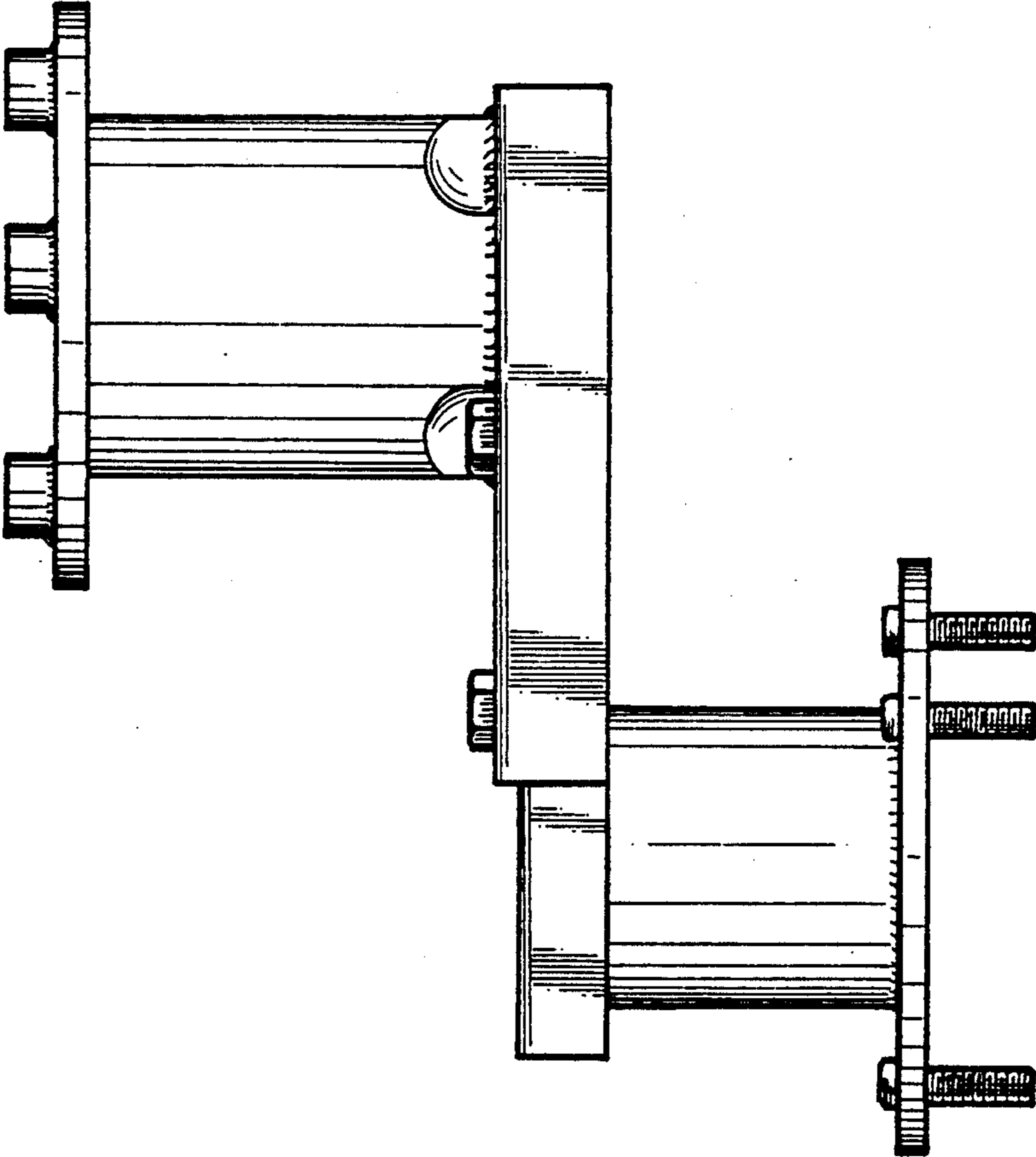


FIG. 3

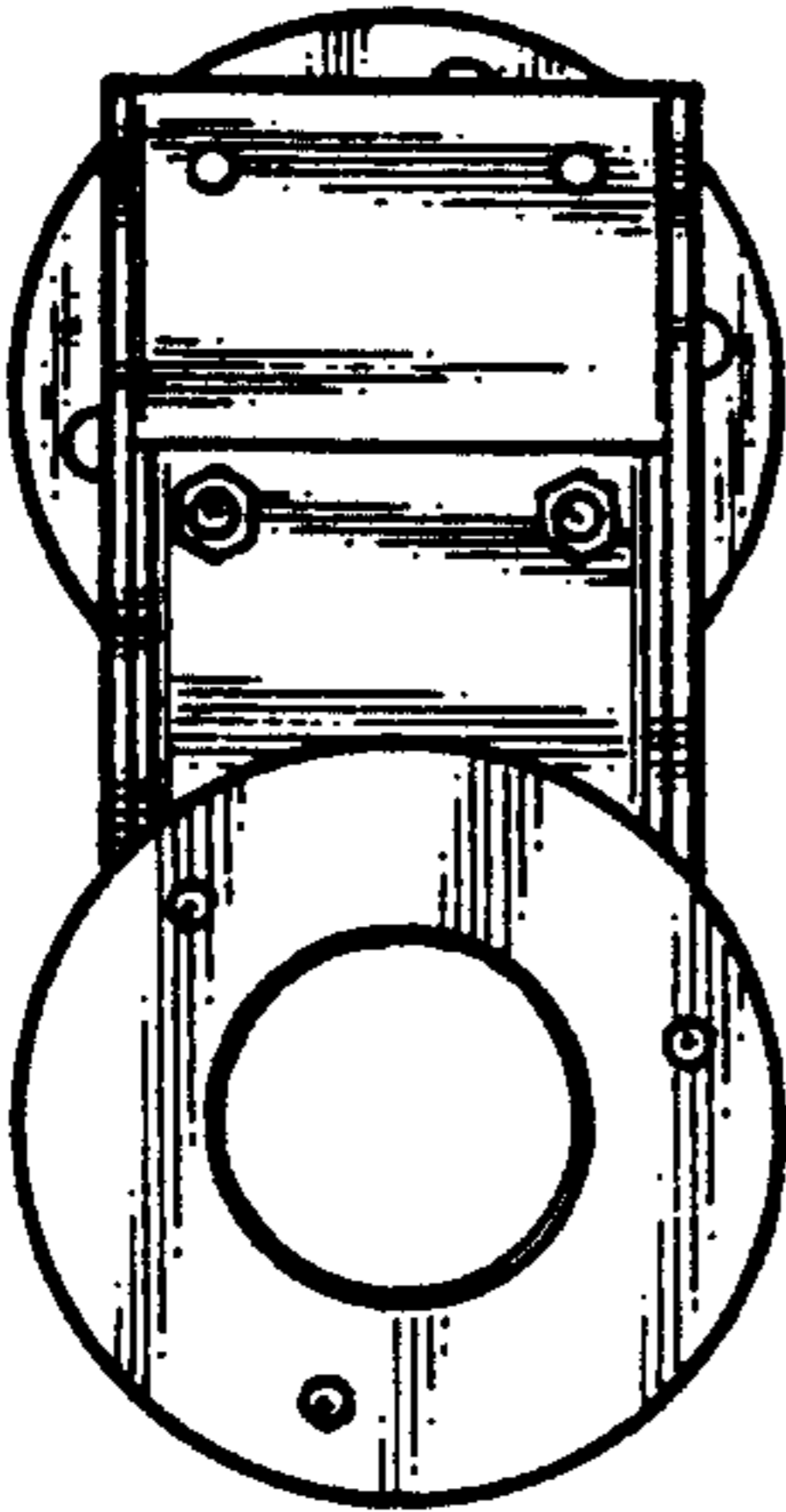


FIG. 4

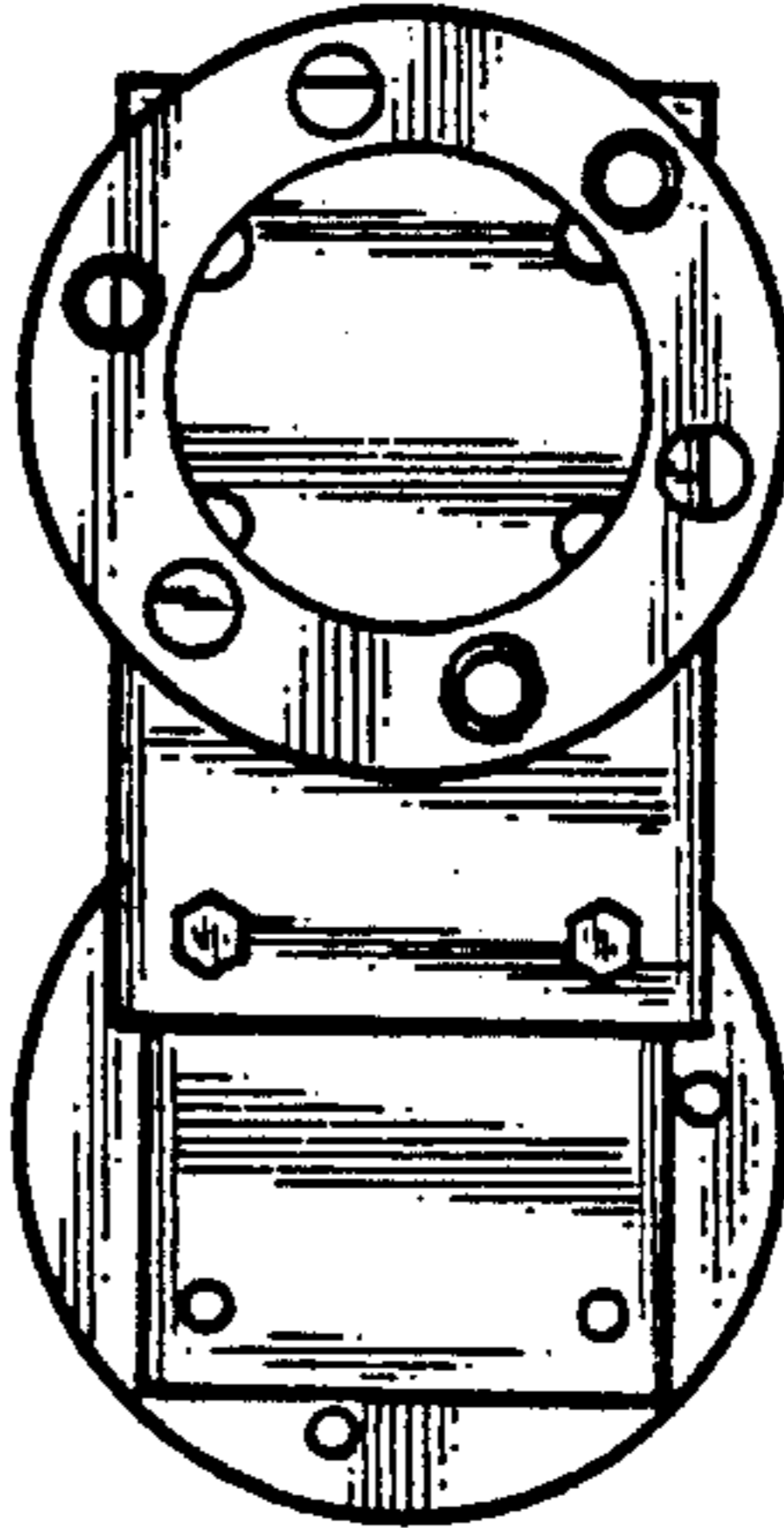


FIG. 5