

[54] **BADGE SHIELD**

[75] Inventor: **Thomas R. Freeman, Savage, Minn.**

[73] Assignee: **Paragon Classics, Inc., Spring Lake Park, Minn.**

[**] Term: **14 Years**

[21] Appl. No.: **285,955**

[22] Filed: **Dec. 19, 1988**

[52] U.S. Cl. **D11/96**

[58] Field of Search **D11/1-2, D11/95-115, 204, 205, 217, 223; 40/1.5, 27.5, 911, 591; 63/1 D-1 R, 2; D20/14**

[56] **References Cited**

U.S. PATENT DOCUMENTS

D. 18,456	7/1888	Steiner	D11/106
D. 51,126	8/1917	Thomas	D11/99
D. 62,820	8/1923	Jones	D11/112
D. 63,189	10/1923	Little	D20/14
D. 83,159	10/1930	Hill	D11/97
D. 95,381	4/1935	Schlesinger	D11/112
D. 149,533	5/1948	Woofter	D11/106
D. 173,634	12/1954	Allen	D11/95
D. 185,382	6/1959	Nakagawa	D11/101
D. 199,792	12/1964	Frankenthaler	D11/105
382,367	5/1888	Lee	40/1.5

1,492,285	4/1924	Christopher	40/911
2,739,400	3/1956	Hieger	D11/95
3,200,524	8/1965	Hendrickson	40/591
4,691,457	9/1987	Peroni	40/1.5
4,767,647	8/1988	Bree	40/1.5

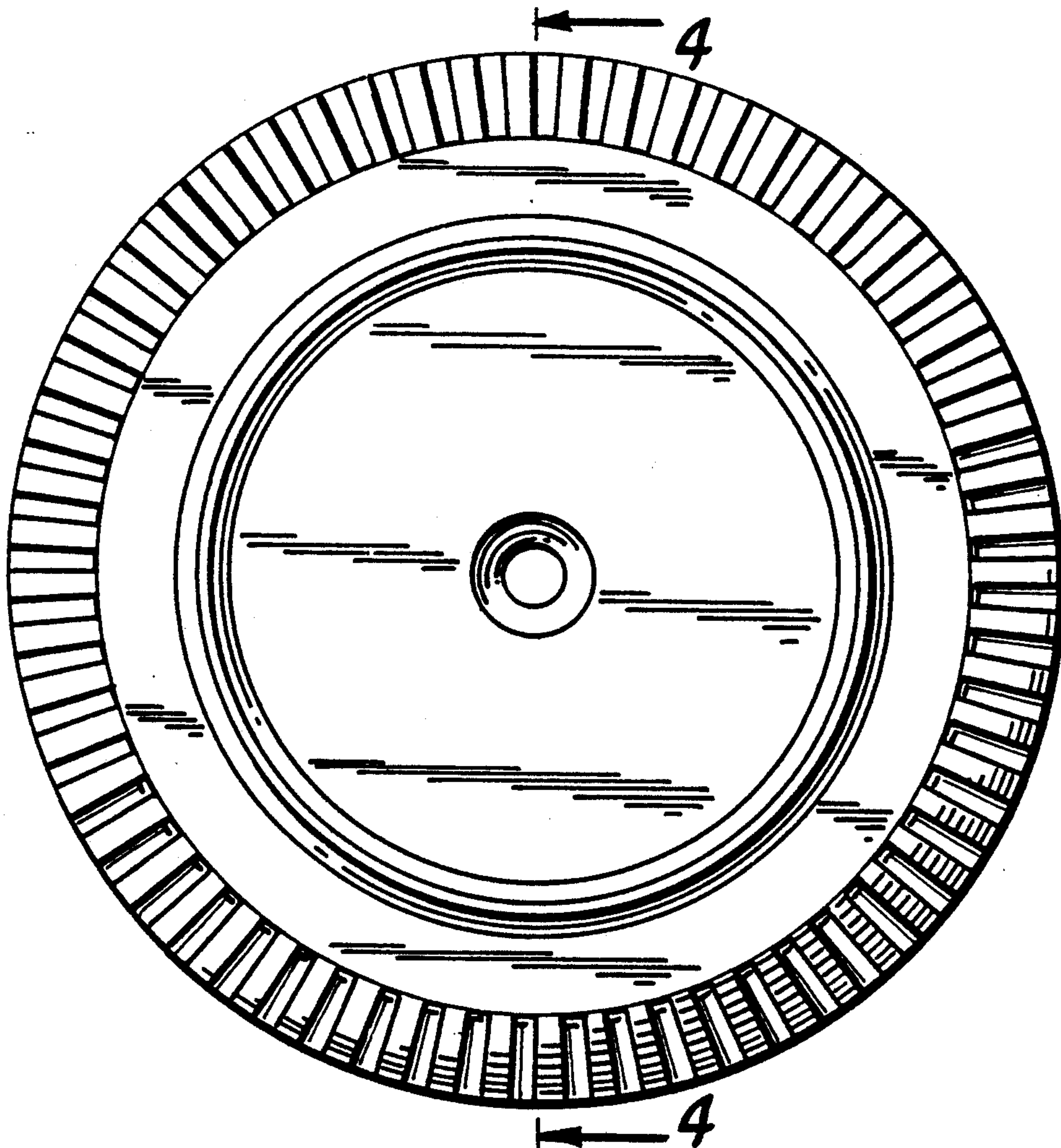
Primary Examiner—Louis S. Zarfaz
Assistant Examiner—R. T. Seifert
Attorney, Agent, or Firm—Burd, Bartz & Gutenkauf

[57] **CLAIM**

The ornamental design of a badge shield, as shown and described.

DESCRIPTION

FIG. 1 is a front elevational view of a badge shield showing my new design;
FIG. 2 is a rear elevational view;
FIG. 3 is a side elevational view, the opposite side being a mirror image;
FIG. 4 is a sectional view taken along the lines 4—4 of FIG. 1;
FIG. 5 is a front elevational view of a badge shield showing a second embodiment of my new design;
FIG. 6 is a side elevational view thereof, the opposite side being a mirror image;
FIG. 7 is a rear elevational view thereof; and
FIG. 8 is a sectional view taken along the lines of 8—8 of FIG. 5.



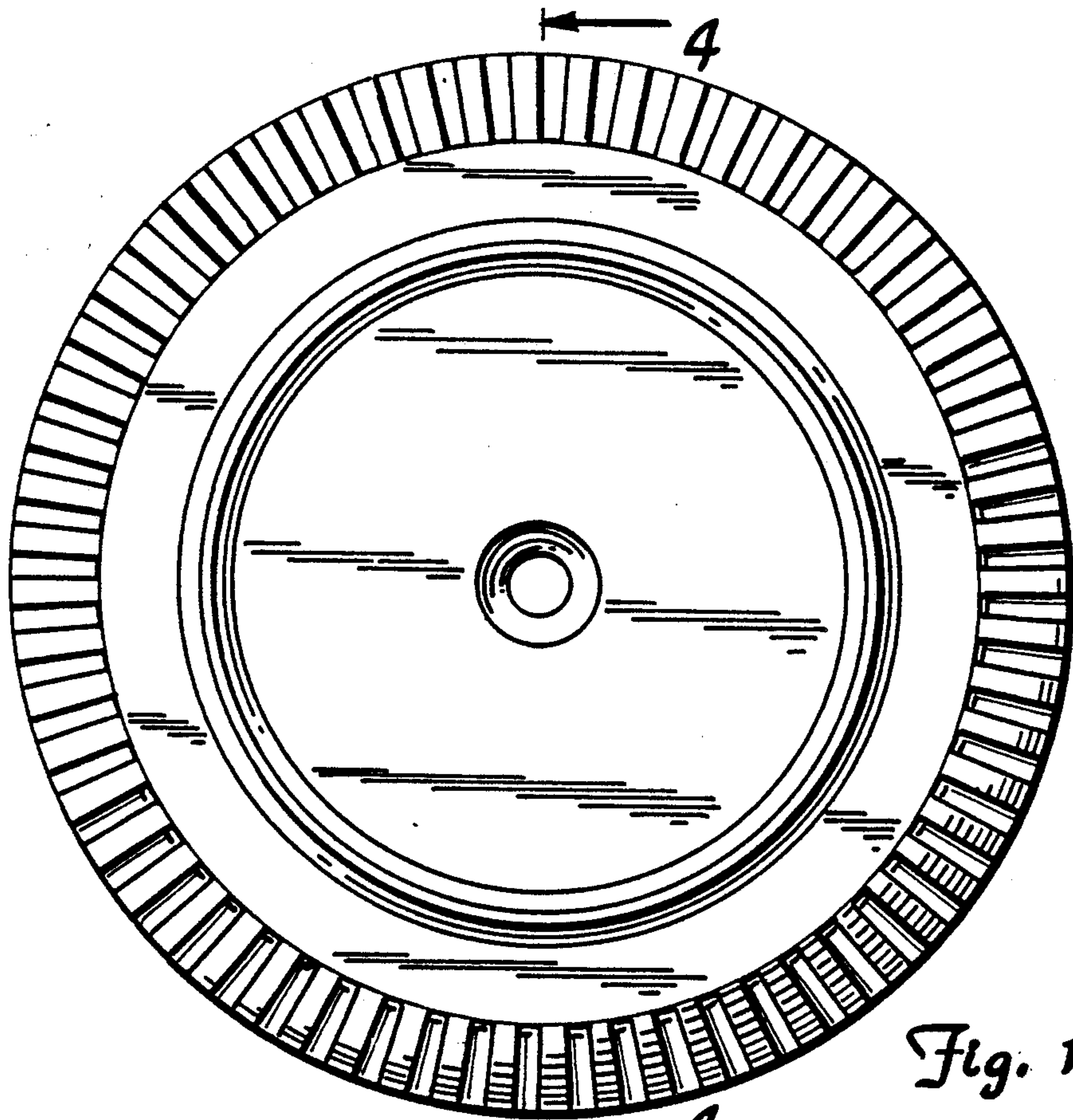


Fig. 1

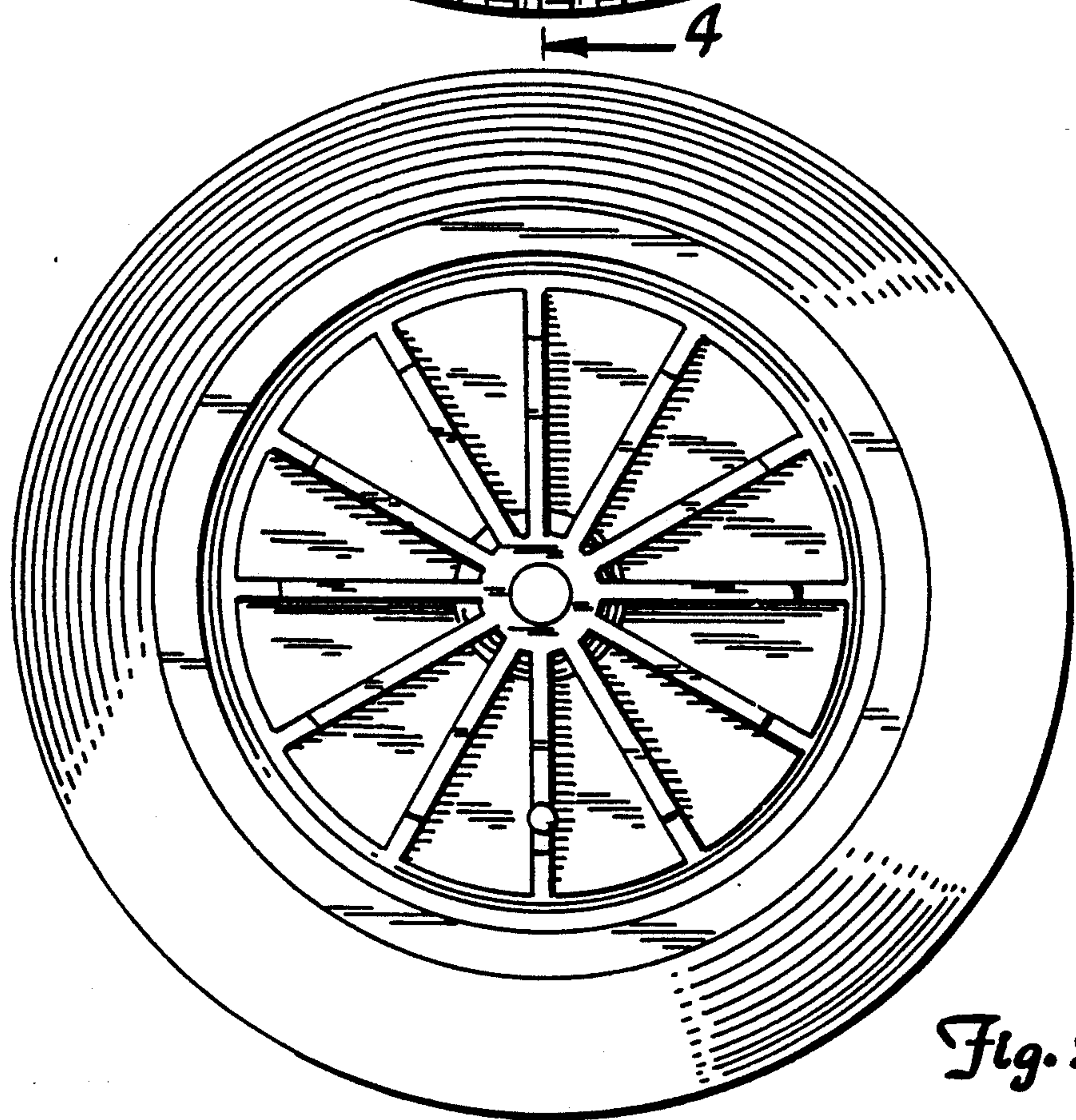


Fig. 2

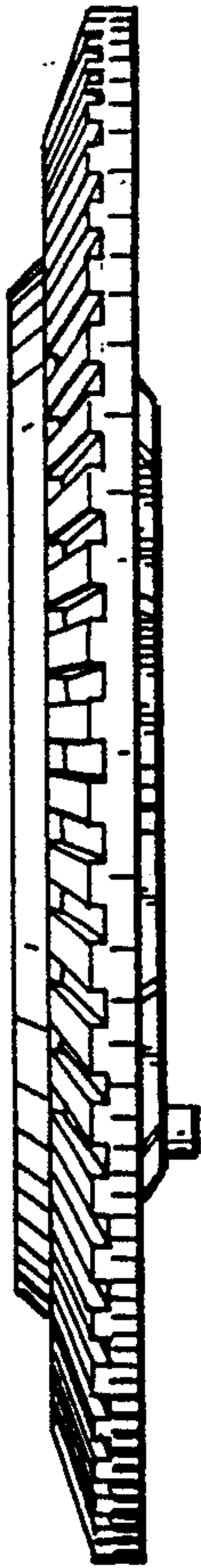


Fig. 3

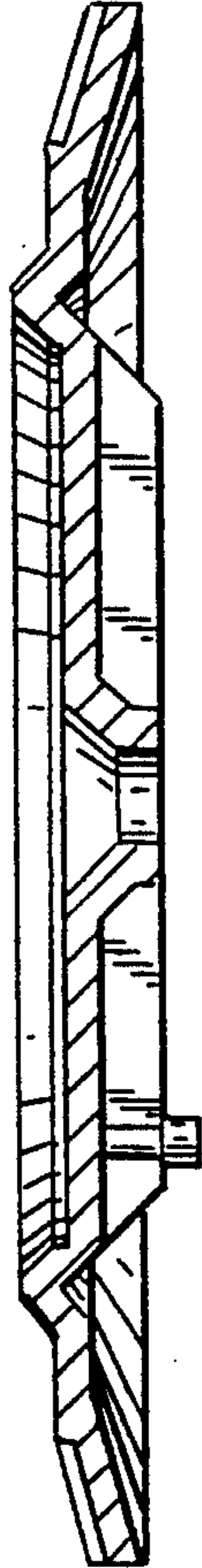


Fig. 4

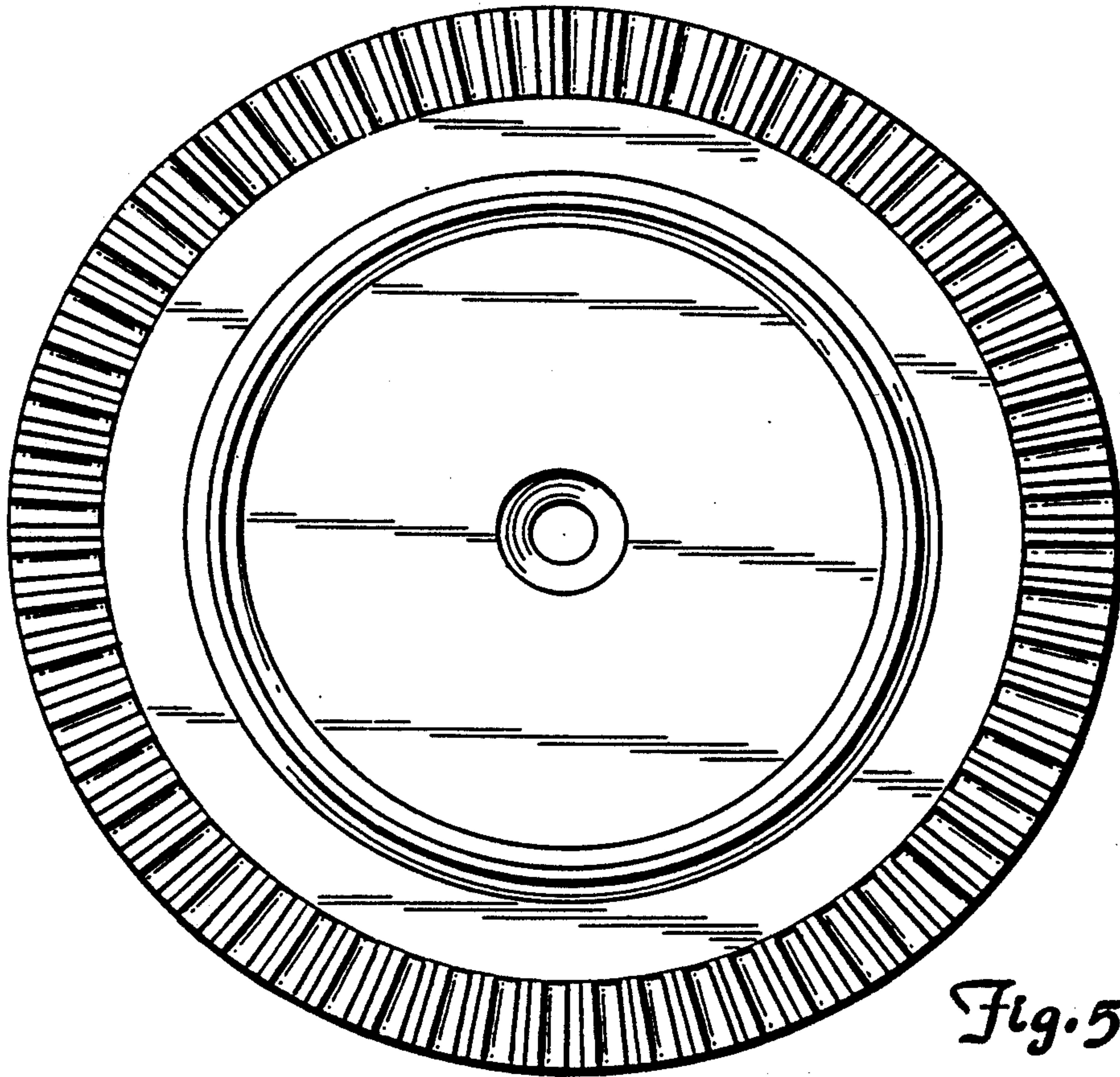


Fig. 5

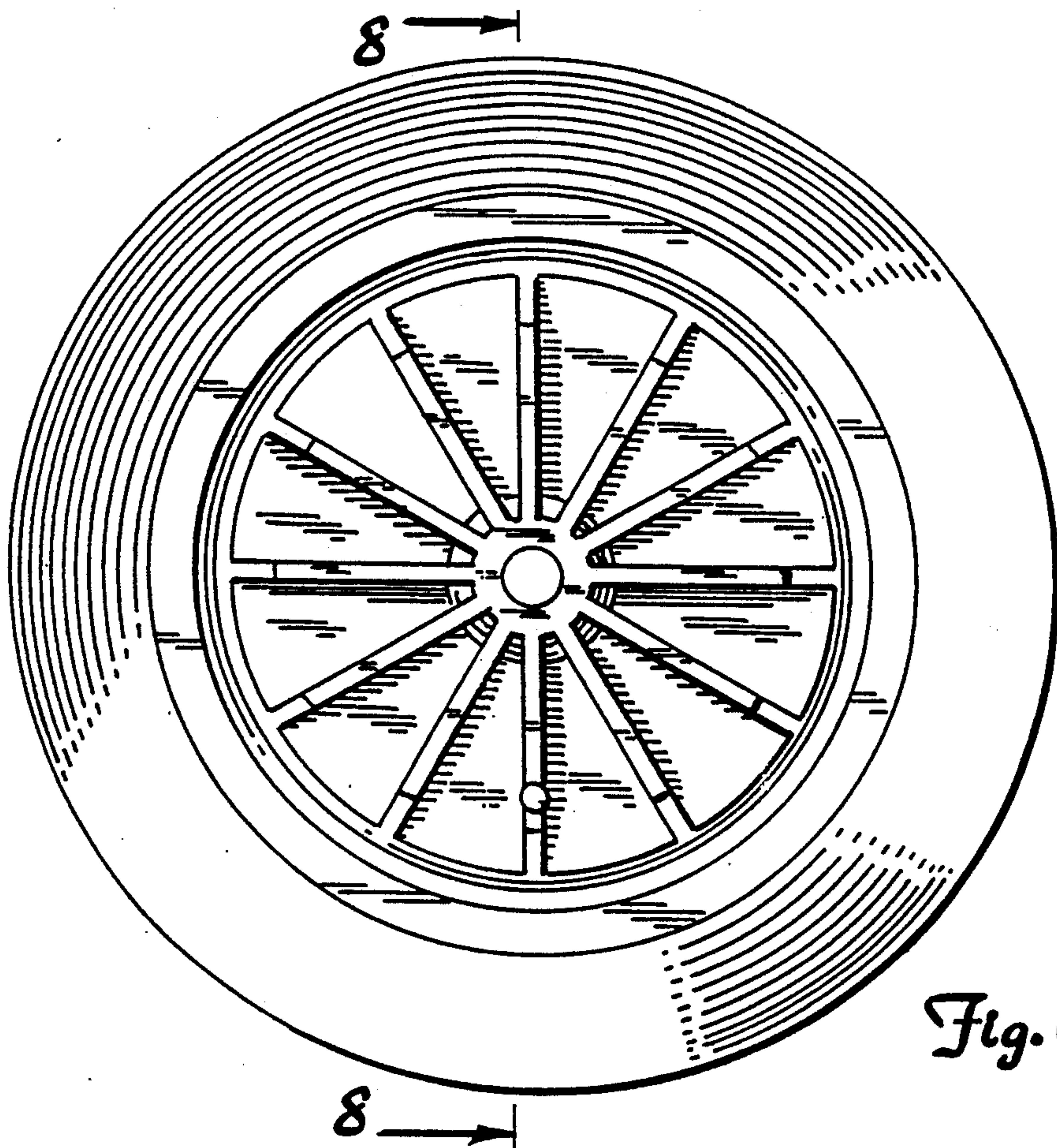


Fig. 6



Fig. 7

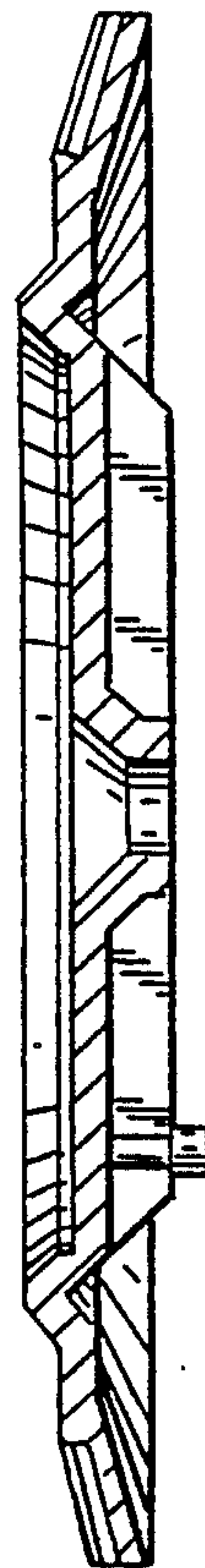


Fig. 8