

[54] COMBINED SPRAY HEAD AND BOTTLE CLOSURE

[76] Inventor: Daniel W. Brooks, 601 N. "N" Pl., Tulare, Calif. 93274

[**] Term: 14 Years

[21] Appl. No.: 158,154

[22] Filed: Feb. 19, 1988

[52] U.S. Cl. D9/448

[58] Field of Search D9/434, 435, 448, 449, D9/300; D23/17, 18; 215/100; 222/182, 382, 383, 402; 227/8; 239/288.5

[56] References Cited

U.S. PATENT DOCUMENTS

D. 239,372	3/1976	Brooks et al.	D9/448
D. 242,351	11/1976	Tada	D9/448
D. 244,531	5/1977	Klingaman	D9/300
D. 275,078	8/1984	Wassergord	D9/448
D. 277,978	3/1985	Bundschuh	D9/448
D. 291,415	8/1987	Abplanalp	D9/448

3,209,949	10/1965	Gurtler	222/82
3,650,473	3/1972	Malone	220/206
3,655,096	4/1972	Easter	222/82
4,373,644	2/1983	Bennett	222/153
4,434,917	3/1984	Saito et al.	222/383

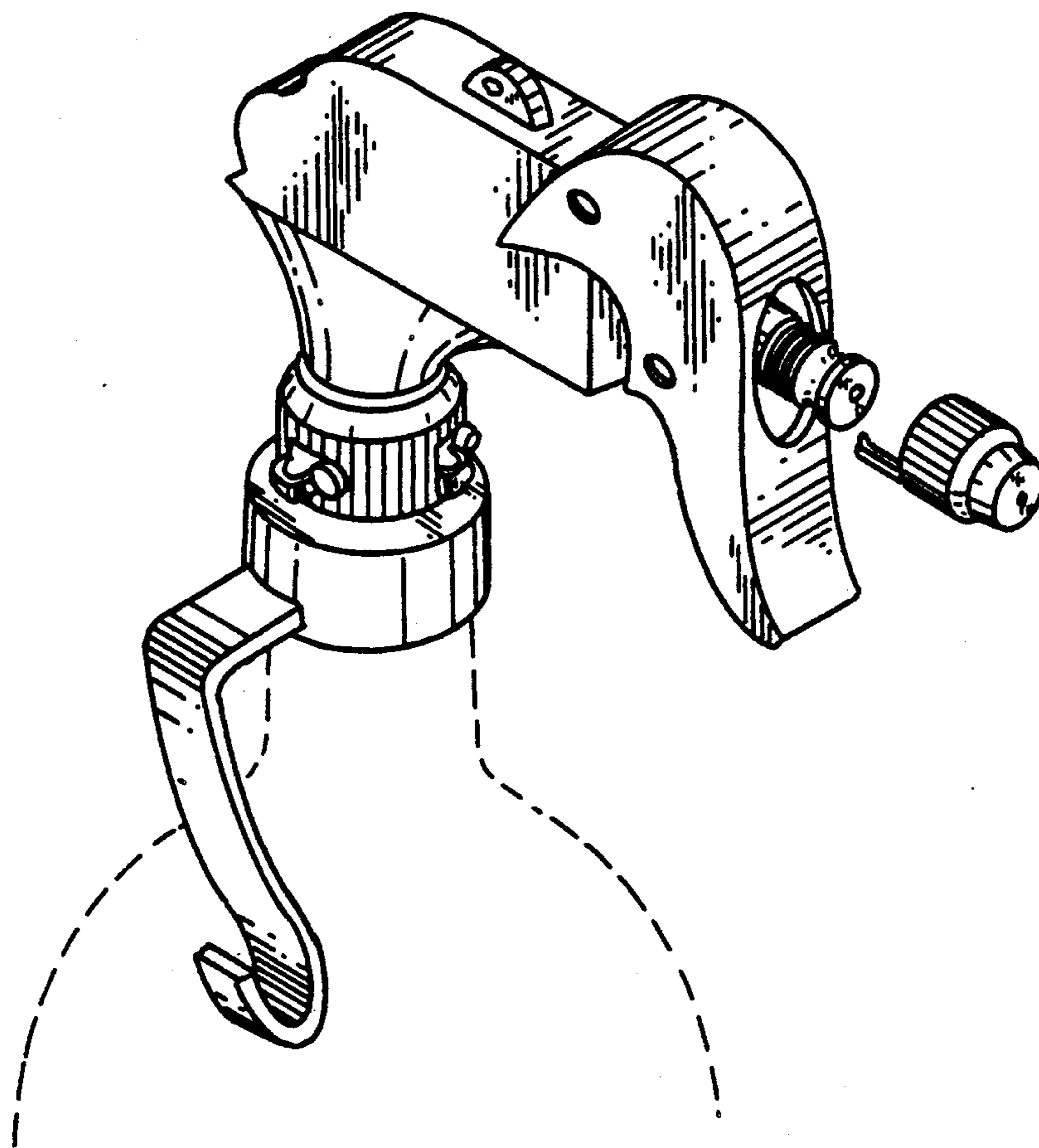
Primary Examiner—Melvin B. Feifer
Assistant Examiner—Philip Hyder
Attorney, Agent, or Firm—Terry M. Gernstein

[57] CLAIM

The ornamental design for a combined spray head and bottle closure, as shown and described.

DESCRIPTION

FIG. 1 is a perspective view of a combined spray head and bottle closure showing my new design; FIG. 2 is a side elevation view thereof; FIG. 3 is a front elevation view thereof; FIG. 4 is a rear elevation view thereof; and FIG. 5 is a top plan view thereof. The broken line showing of the bottle in FIGS. 1 and 2 are for illustrative purposes only and forms no part of the claimed design.



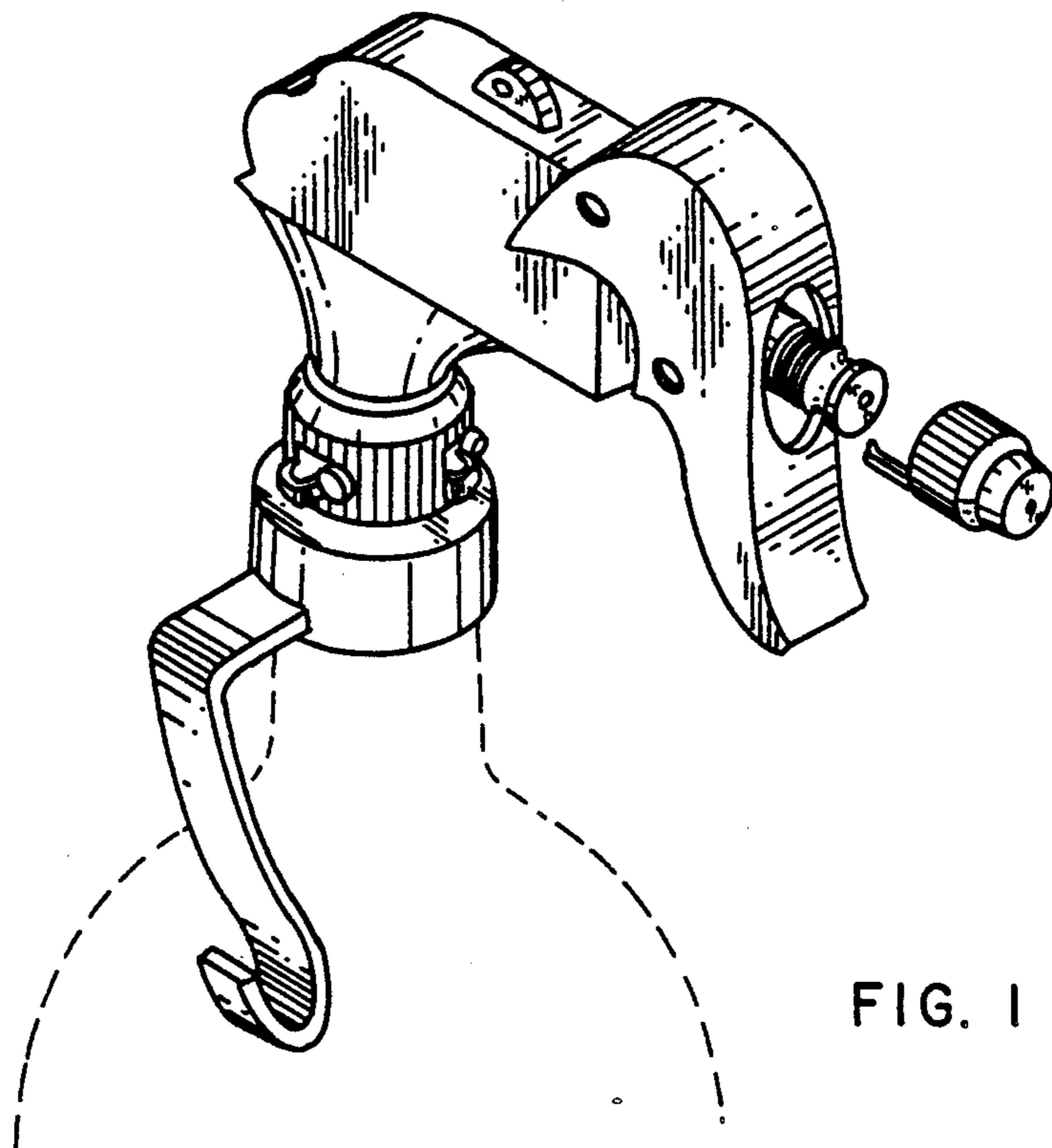


FIG. 1

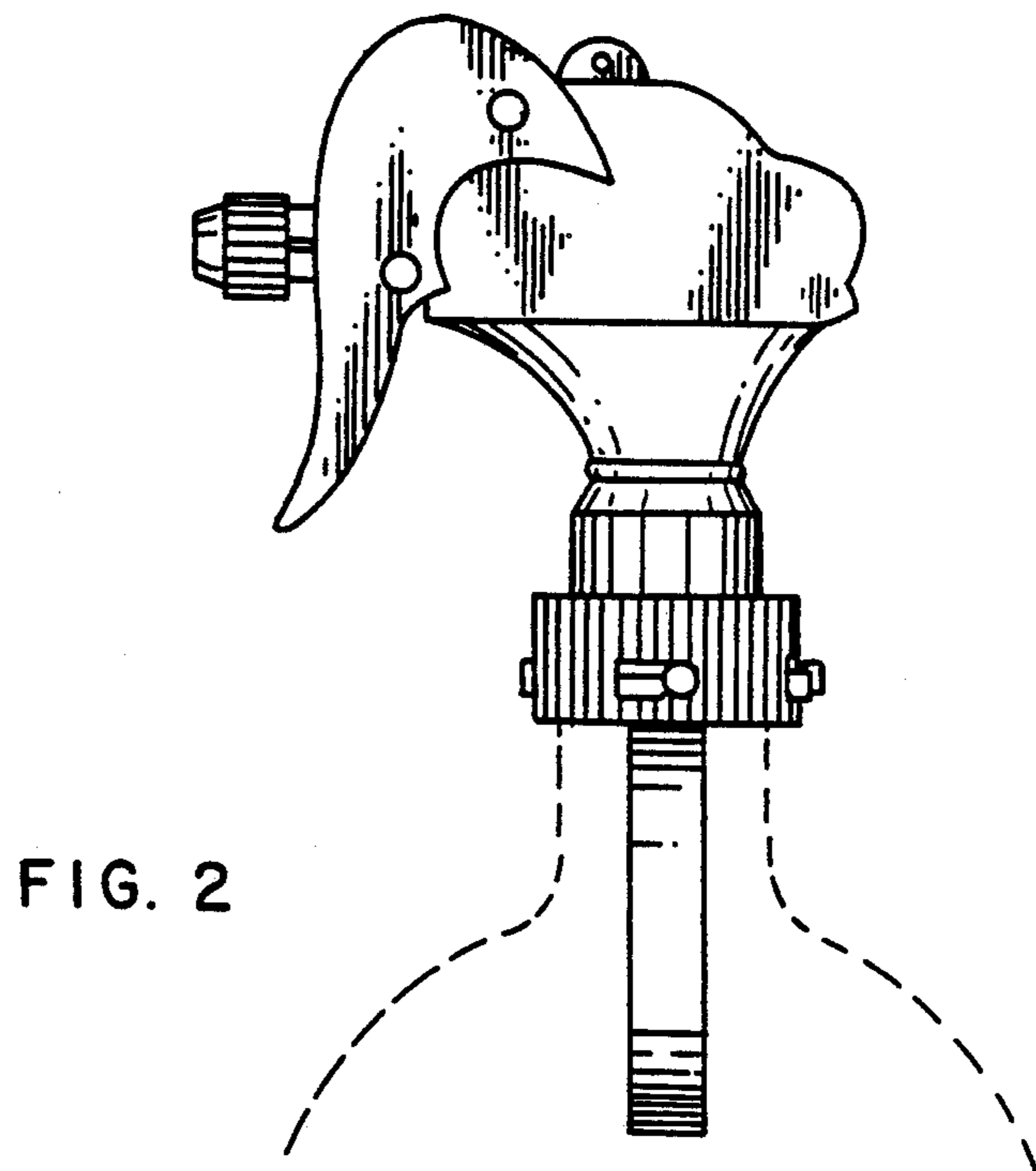


FIG. 2

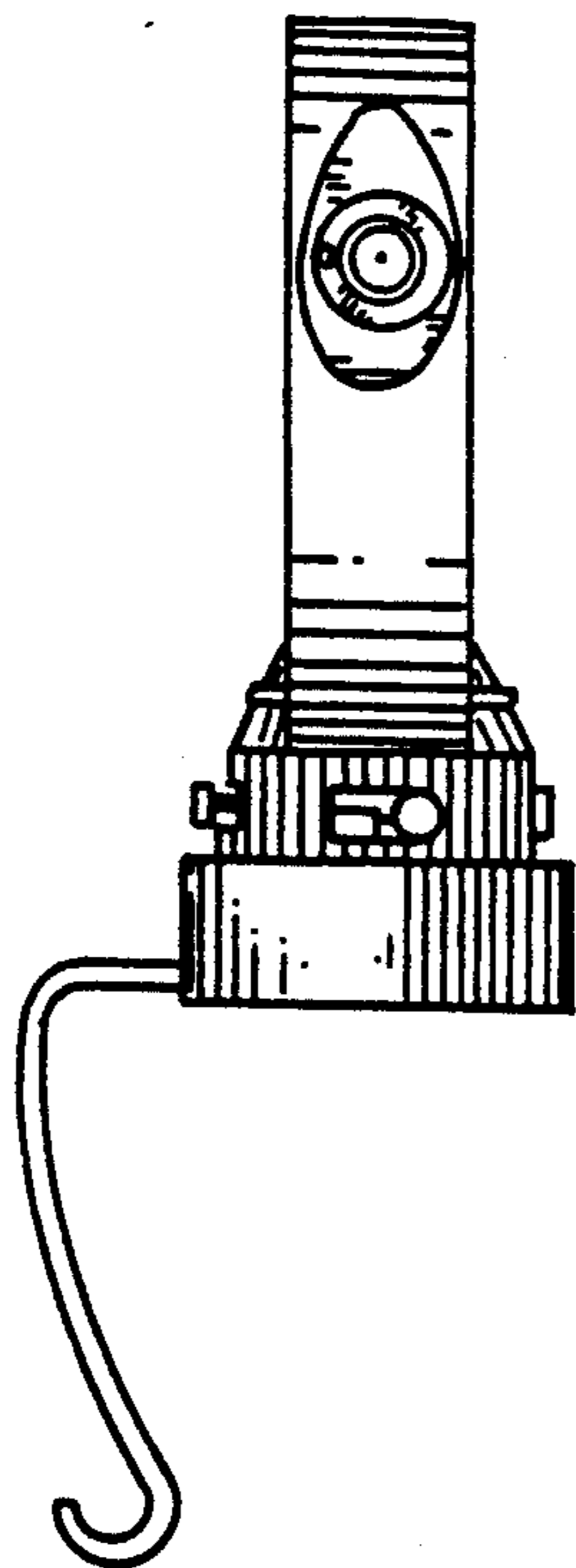


FIG. 3

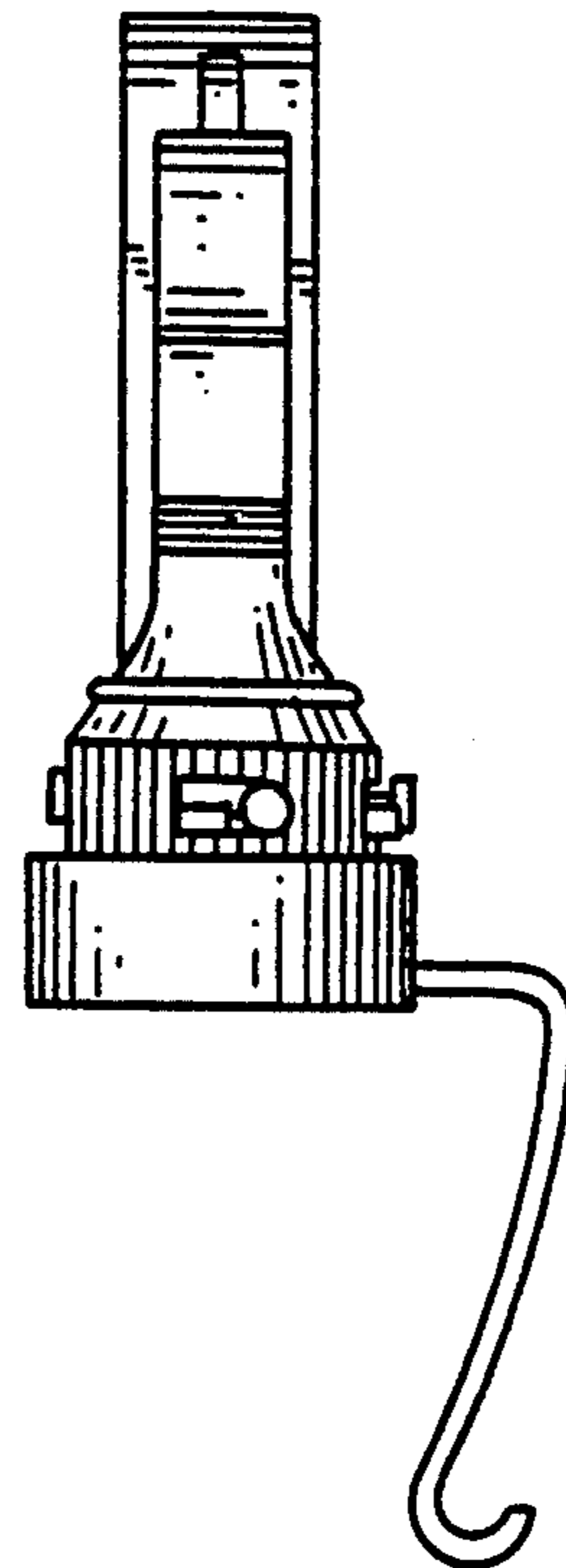


FIG. 4

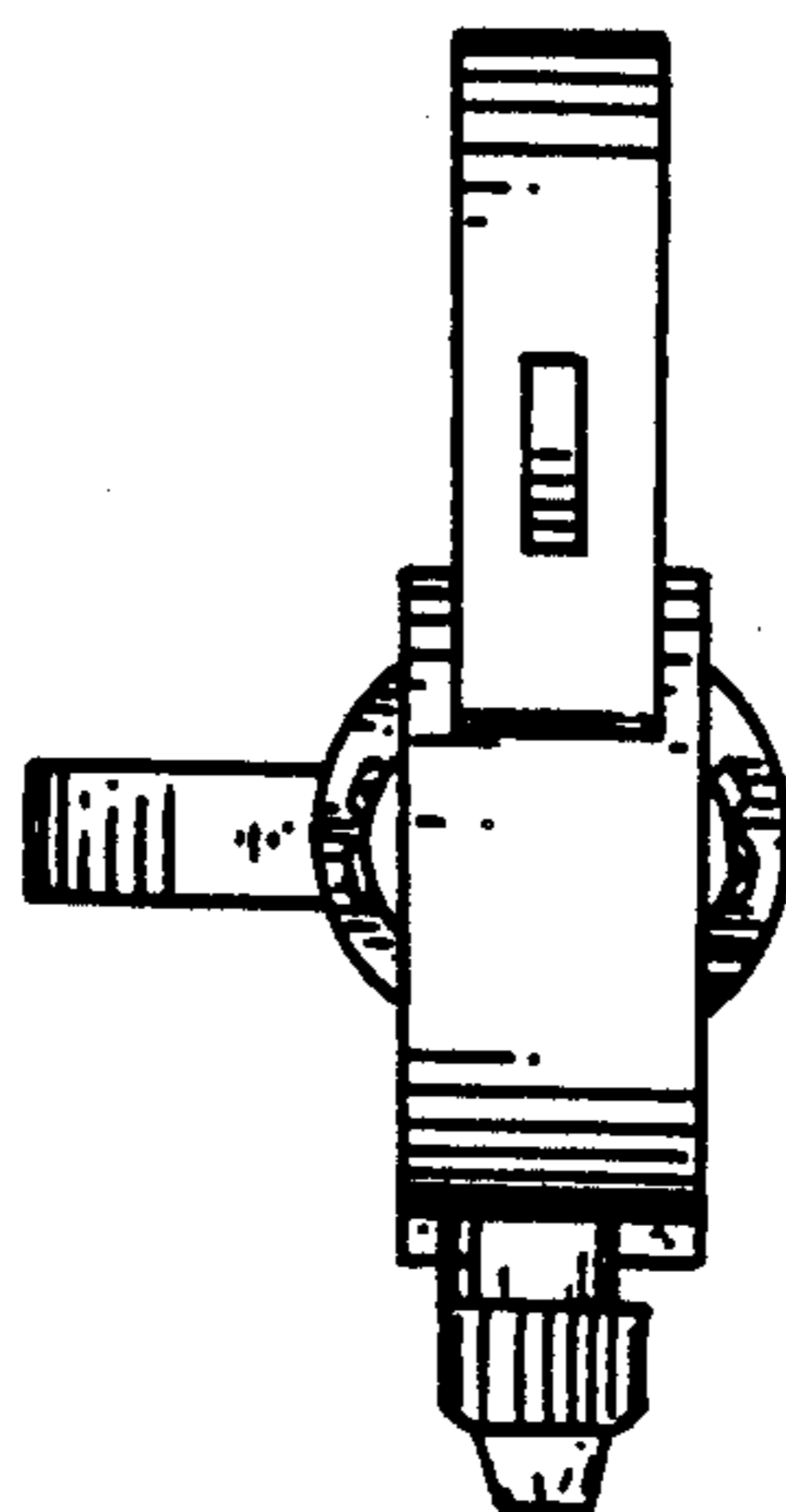


FIG. 5