

[54] **BOAT TURNING BLOCK**

[75] **Inventor: Peter W. Isherwood,**
Richmond-on-Thames, England

[73] **Assignee: Offshore Instruments Limited,**
Cowes, England

[**] **Term: 14 Years**

[21] **Appl. No.: 107,520**

[22] **Filed: Oct. 9, 1987**

[30] **Foreign Application Priority Data**

Apr. 14, 1987 [GB] United Kingdom 1041529
[52] **U.S. Cl. D8/360; D34/35**
[58] **Field of Search D8/360, 383, 394, 396;**
114/102; 254/391, 393, 401

[56] **References Cited**

U.S. PATENT DOCUMENTS

1,890,992 12/1932 Janssen 254/391

OTHER PUBLICATIONS

Bout U.S. Consumer Equipment Guide 1980, p. 128,
Double Block (Heavy), p. 151, Metal Sheave Blocks.

Primary Examiner—James M. Gandy
Assistant Examiner—Melody Brown

[57] **CLAIM**

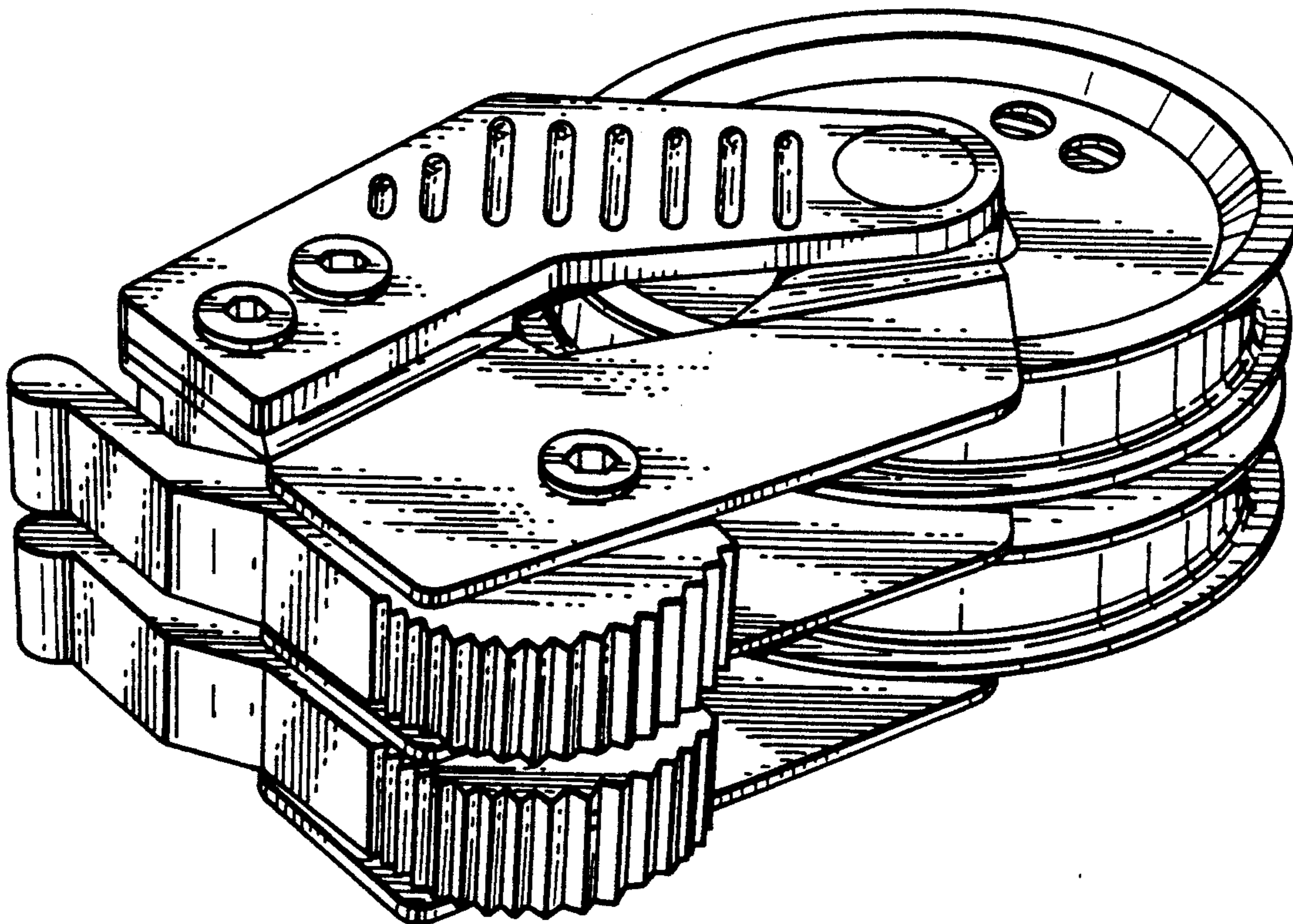
The ornamental design for a boat turning block, as
shown and described.

DESCRIPTION

FIG. 1 is a perspective view from the top and one side
thereof; and

FIG. 2 is a perspective view from the top and opposite
side thereof.

The bottom of the boat turning block is a mirror image
of the top in FIGS. 1 and 2.



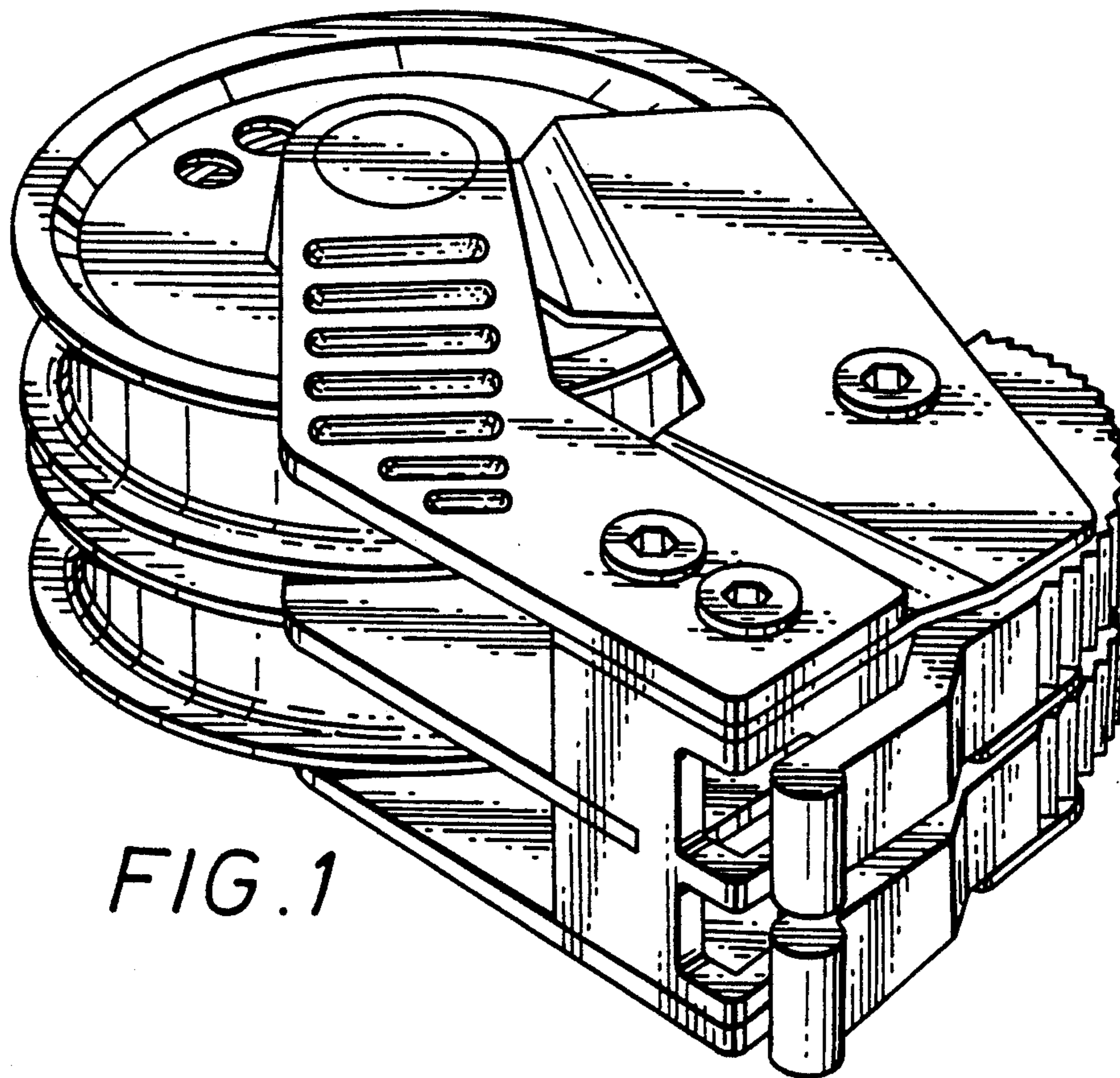


FIG. 1

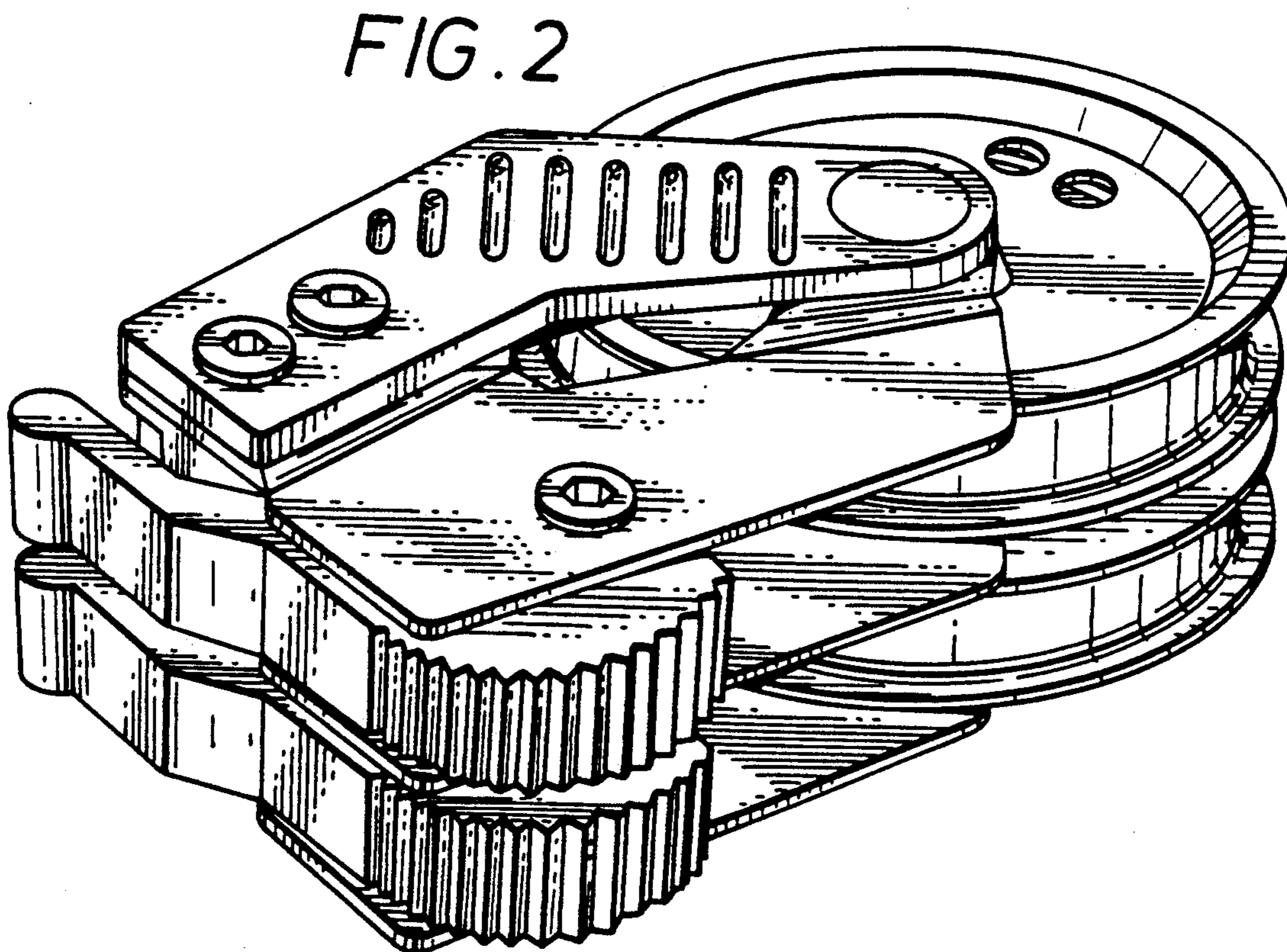


FIG. 2