

[54] **RESIDENTIAL WATER WELL PUMP PULLEY**

[76] **Inventor: Bruce L. Kehm, R.D.#5, Steel City, Bethlehem, Pa. 18015**

[**] **Term: 14 Years**

[21] **Appl. No.: 105,197**

[22] **Filed: Sep. 24, 1987**

[52] **U.S. Cl. D8/360**

[58] **Field of Search D8/360; 254/3900, 409, 254/412, 411; 248/231.7**

[56] **References Cited**

U.S. PATENT DOCUMENTS

D. 3,734	11/1869	Hager	D8/360
D. 18,536	8/1888	Stearns	D8/360
D. 55,508	6/1920	Flynn, Jr.	D8/360
D. 306,134	2/1990	Harken et al.	254/412 X
977,613	12/1910	Gilchrist	254/412
1,157,143	10/1915	Blodgett	254/411
1,634,773	7/1927	Coventry	254/390
1,739,368	12/1929	Monroe	254/390
1,751,348	3/1930	Mitchell	254/390
2,202,184	5/1940	Berger	254/409
2,517,249	8/1950	Serrell	254/409

3,042,378	7/1962	Preston	254/390
3,398,920	8/1968	Haynes	248/231.7
3,705,708	12/1972	Cunningham	254/409
3,733,053	5/1973	Haulotte	254/409
3,773,295	11/1973	Holmes	254/409
4,145,029	3/1979	Johns	254/390
4,423,853	1/1984	Davis, Sr.	254/390

FOREIGN PATENT DOCUMENTS

510436	3/1955	Canada	254/390
443032	of 0000	France	254/390

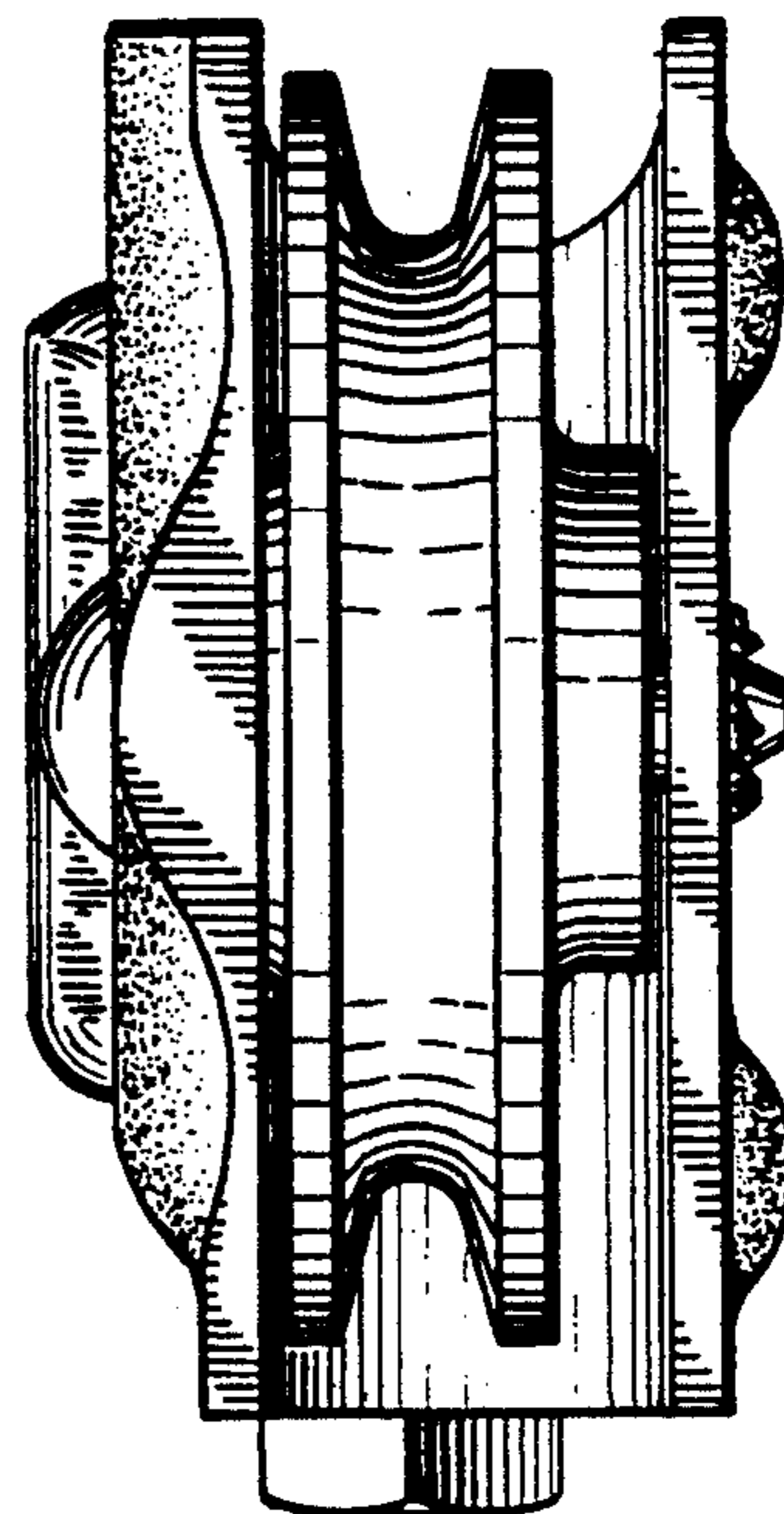
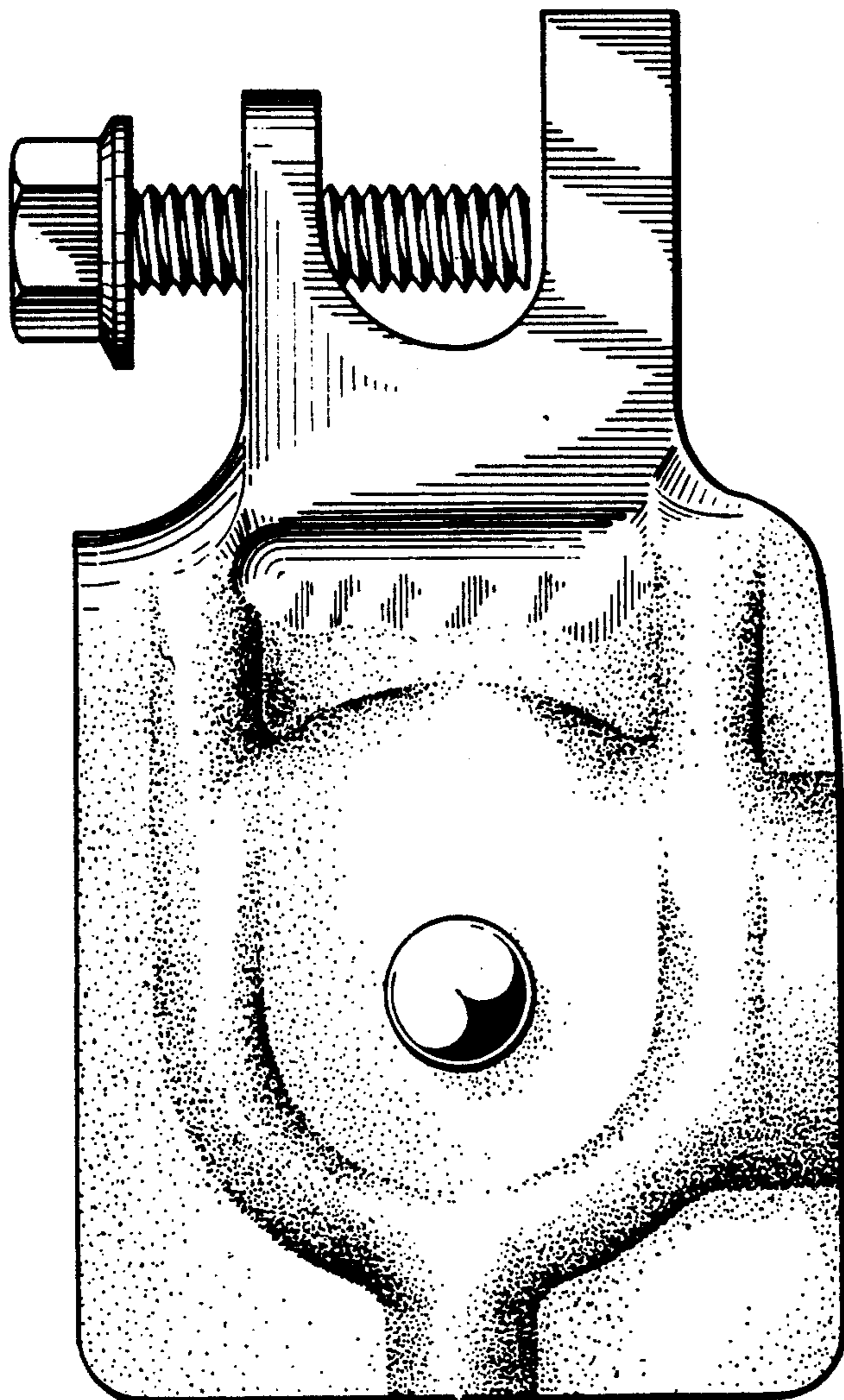
Primary Examiner—Horace B. Fay, Jr.
Attorney, Agent, or Firm—Steele, Gould & Fried

[57] **CLAIM**

The ornamental design for a residential water well pump pulley, as shown and described.

DESCRIPTION

FIG. 1 is a side elevational view of a residential water well pump pulley showing my new design; FIGS. 2 and 3 are respectively front and rear elevational views thereof; FIG. 4 is the side elevational view opposite to FIG. 1; FIGS. 5 and 6 are respectively bottom and top plan views thereof.



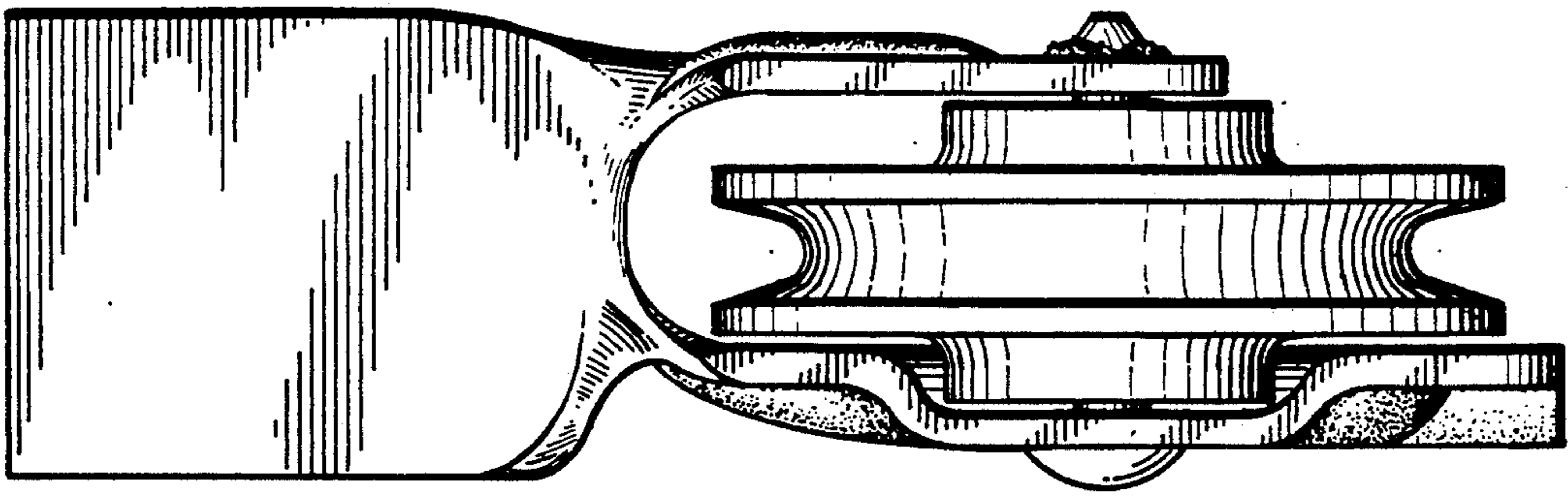


FIG. 3

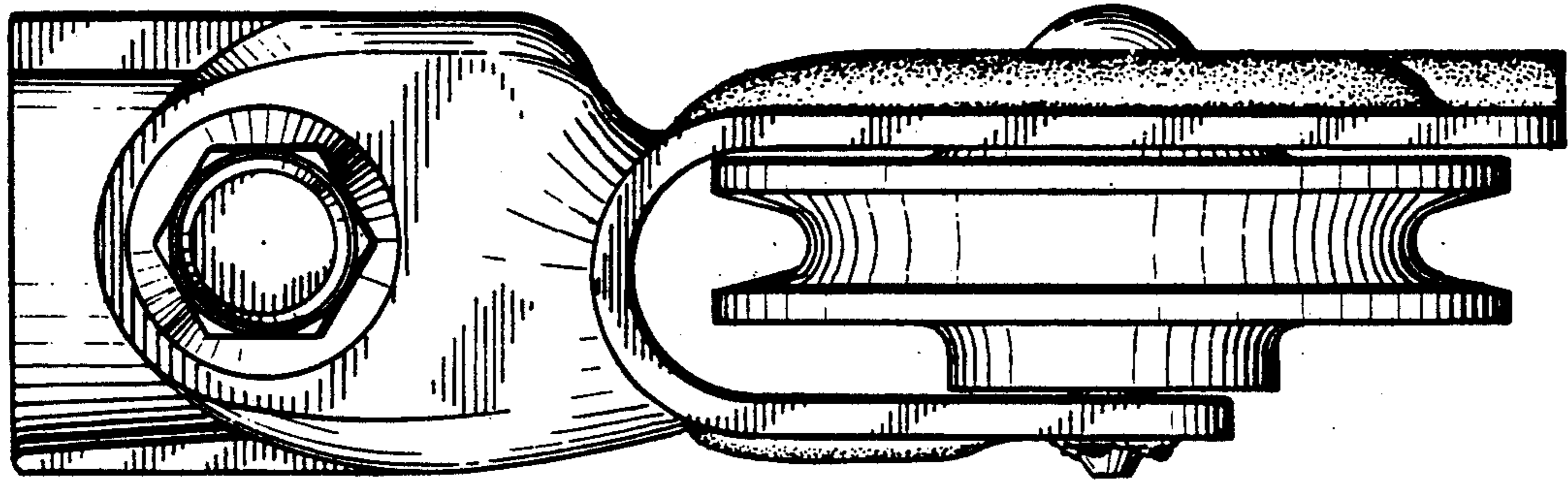


FIG. 2

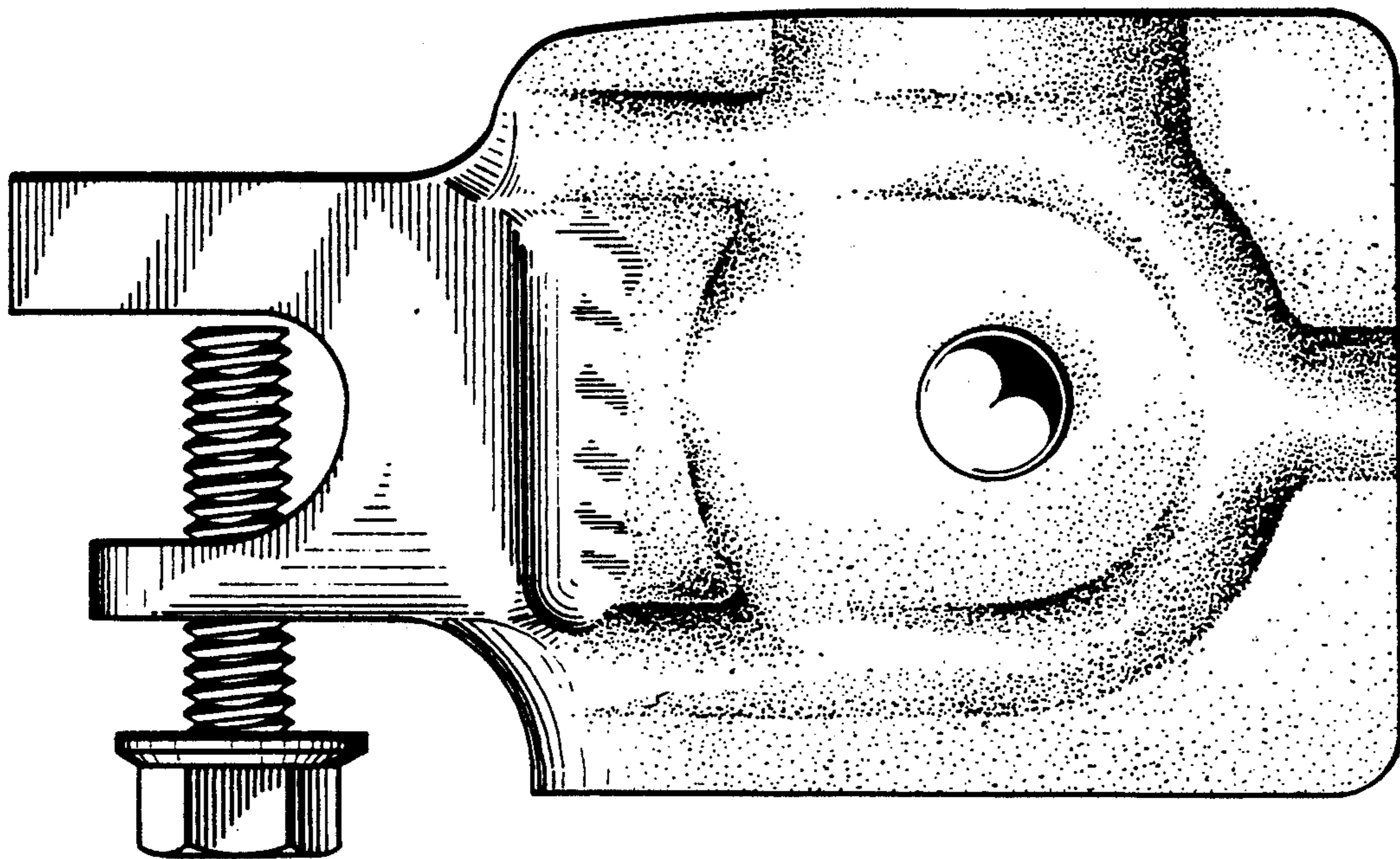


FIG. 1

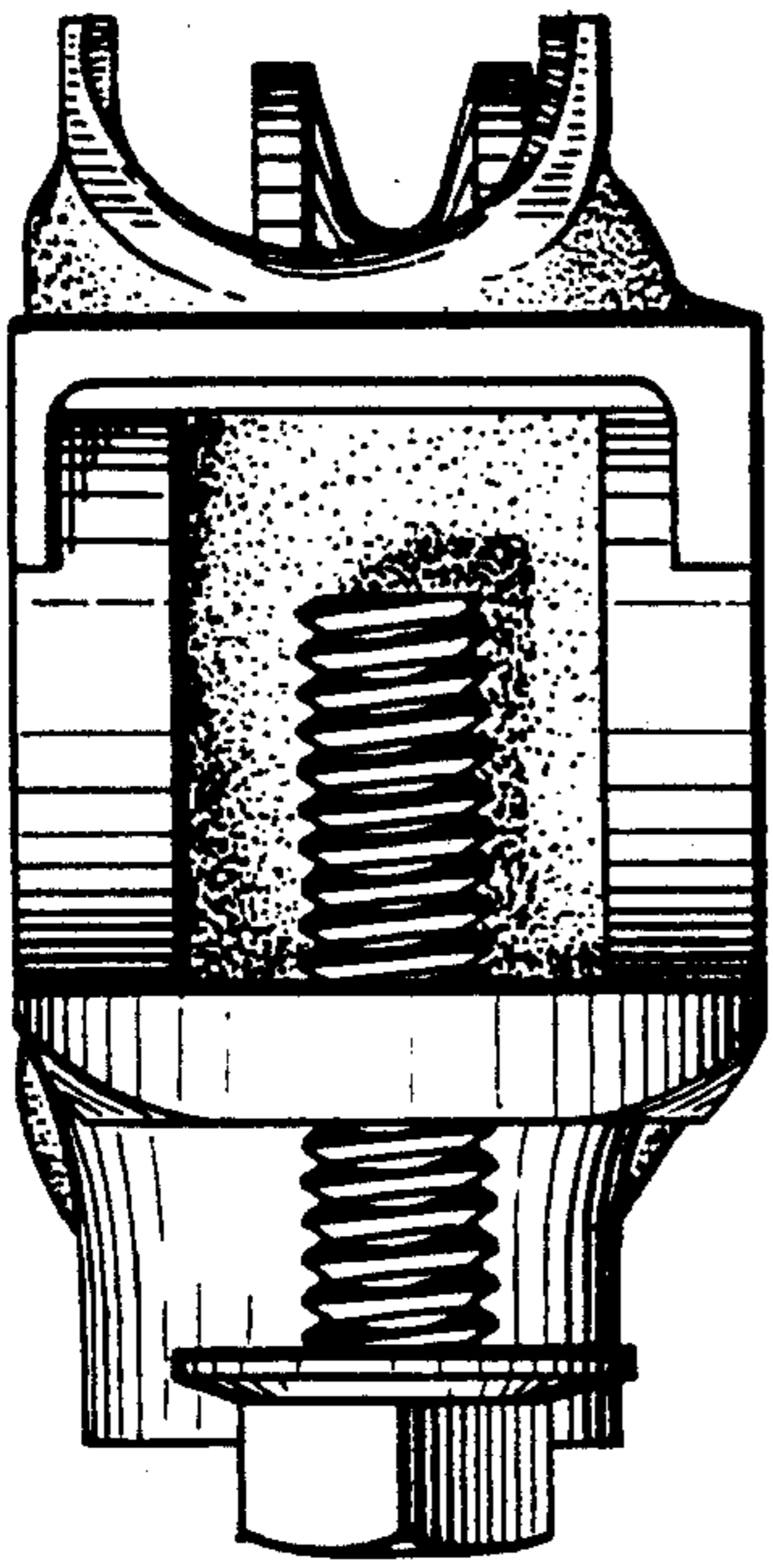


FIG. 5

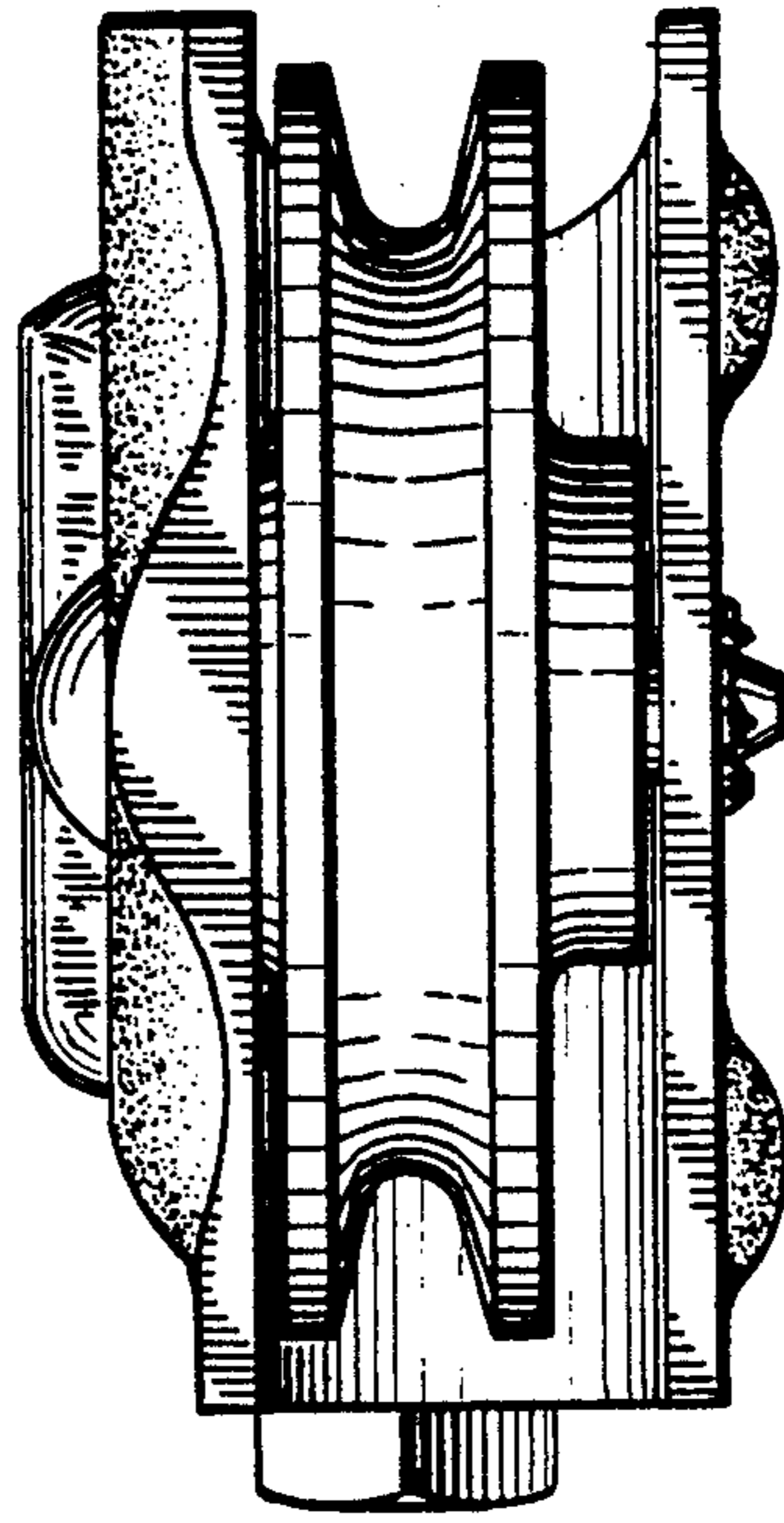


FIG. 6

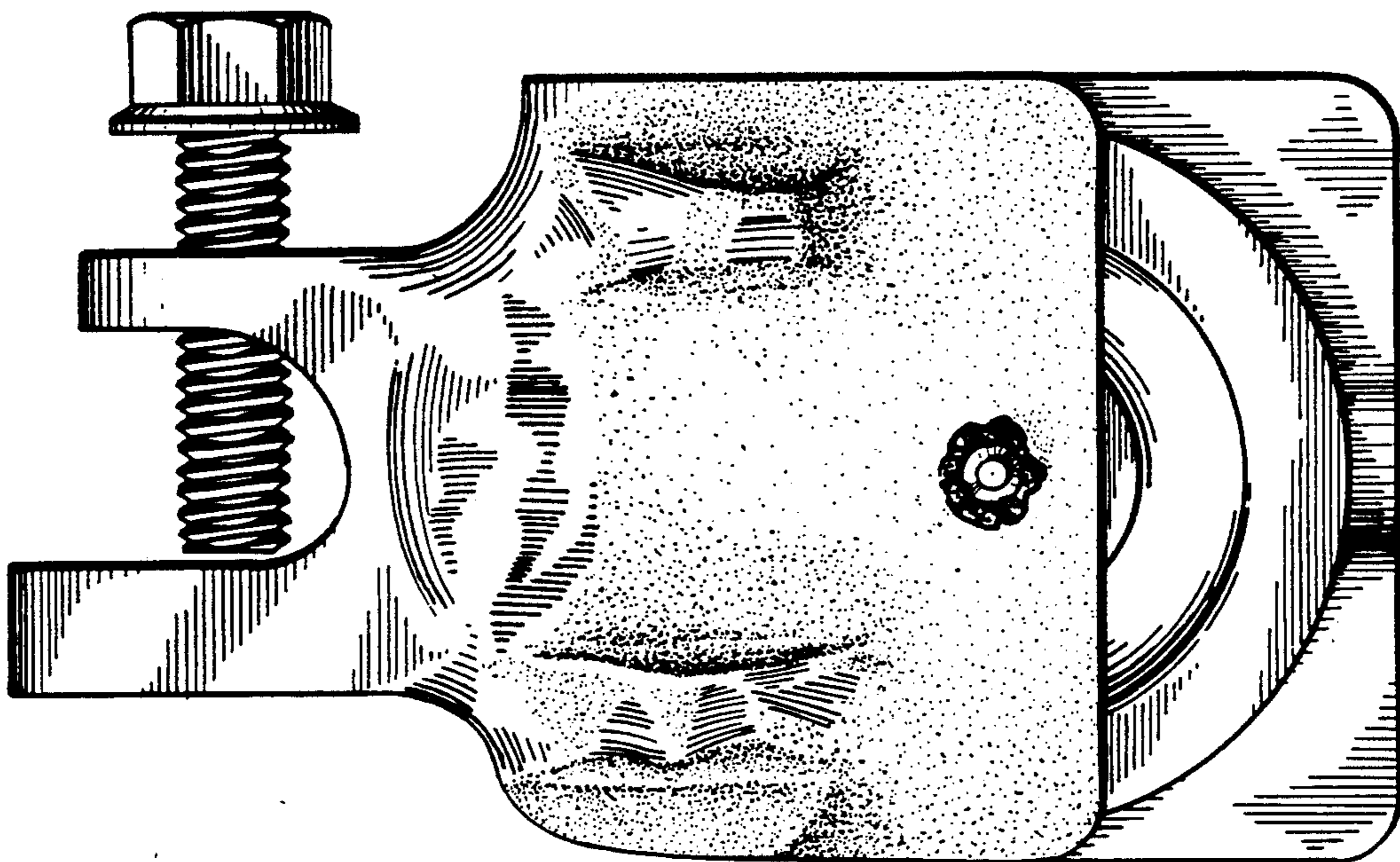


FIG. 4