

# United States Patent [19]

Ruffley et al.

[11] Patent Number: **Des. 314,903**

[45] Date of Patent: **\*\* Feb. 26, 1991**

- [54] **HANDLE FOR A CLAMP**
- [75] Inventors: **Douglas Ruffley, Troy; Gregory Midkiff, Ferndale, both of Mich.**
- [73] Assignee: **Delaware Capital Formation, Inc., Wilmington, Del.**
- [\*\*] Term: **14 Years**
- [21] Appl. No.: **176,998**
- [22] Filed: **Apr. 4, 1988**
- [52] U.S. Cl. .... **D8/310; D8/308**
- [58] Field of Search ..... **D8/300, 303, 306, 307, D8/308, 309, 302, 310, 107, 74, 72, 71**
- [56] **References Cited**
- U.S. PATENT DOCUMENTS**
- 126,425 5/1872 Thompson ..... 269/219

- D. 162,444 3/1951 Parsons ..... D8/308
- D. 186,242 9/1959 Maffei ..... D8/310
- D. 232,704 9/1974 Wagner ..... D8/306
- D. 261,609 11/1981 Roux ..... D8/74
- 368,278 8/1887 Cheney ..... 269/219

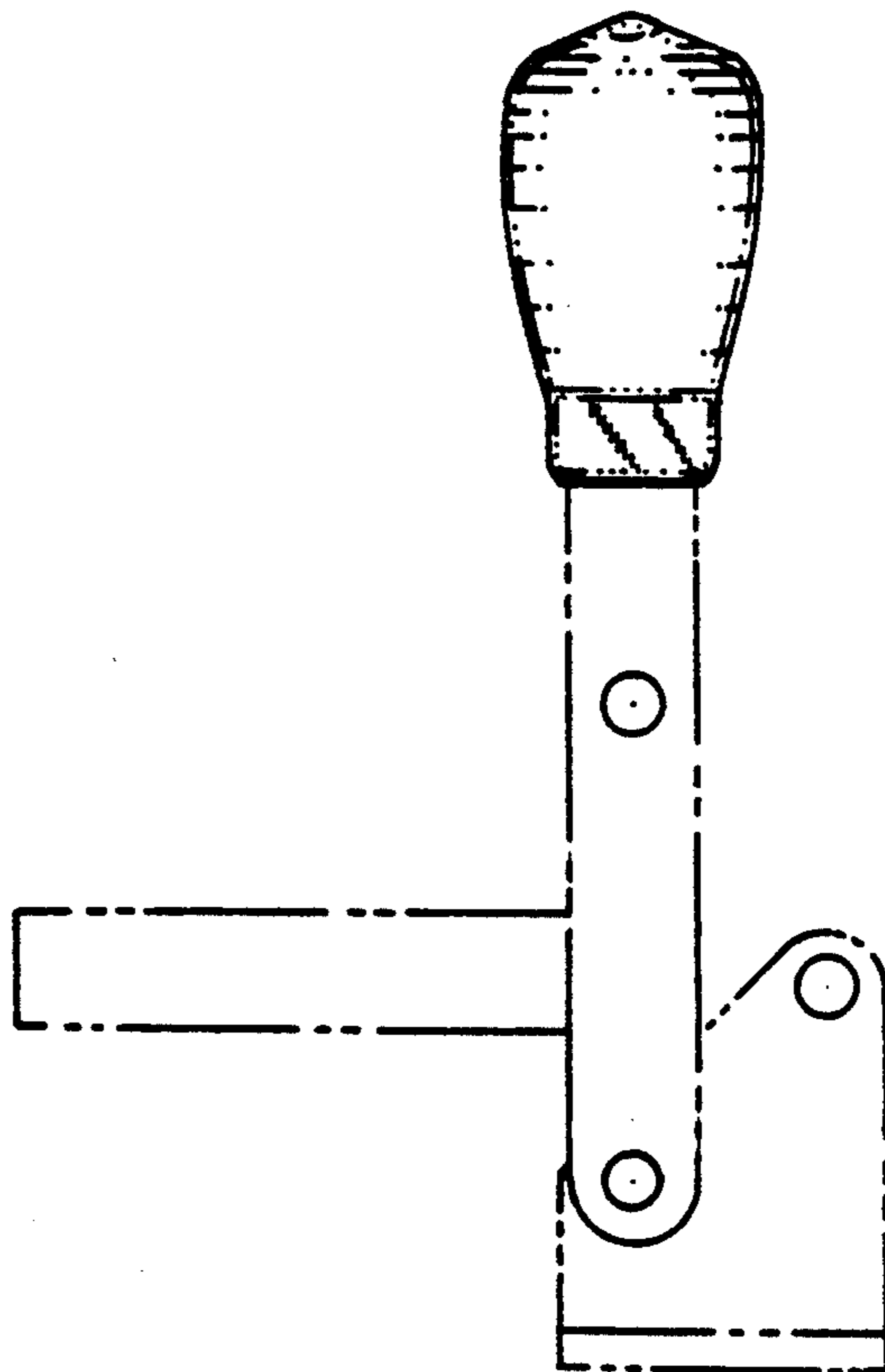
*Primary Examiner*—Nelson C. Holtje  
*Assistant Examiner*—J. H. Musgrove  
*Attorney, Agent, or Firm*—Lloyd M. Forster

### [57] CLAIM

The ornamental design for a handle for a clamp, as shown.

### DESCRIPTION

FIG. 1 is a top plan view of a handle for a clamp showing my new design;  
FIG. 2 is a side elevational view; and  
FIG. 3 is a front elevational view.



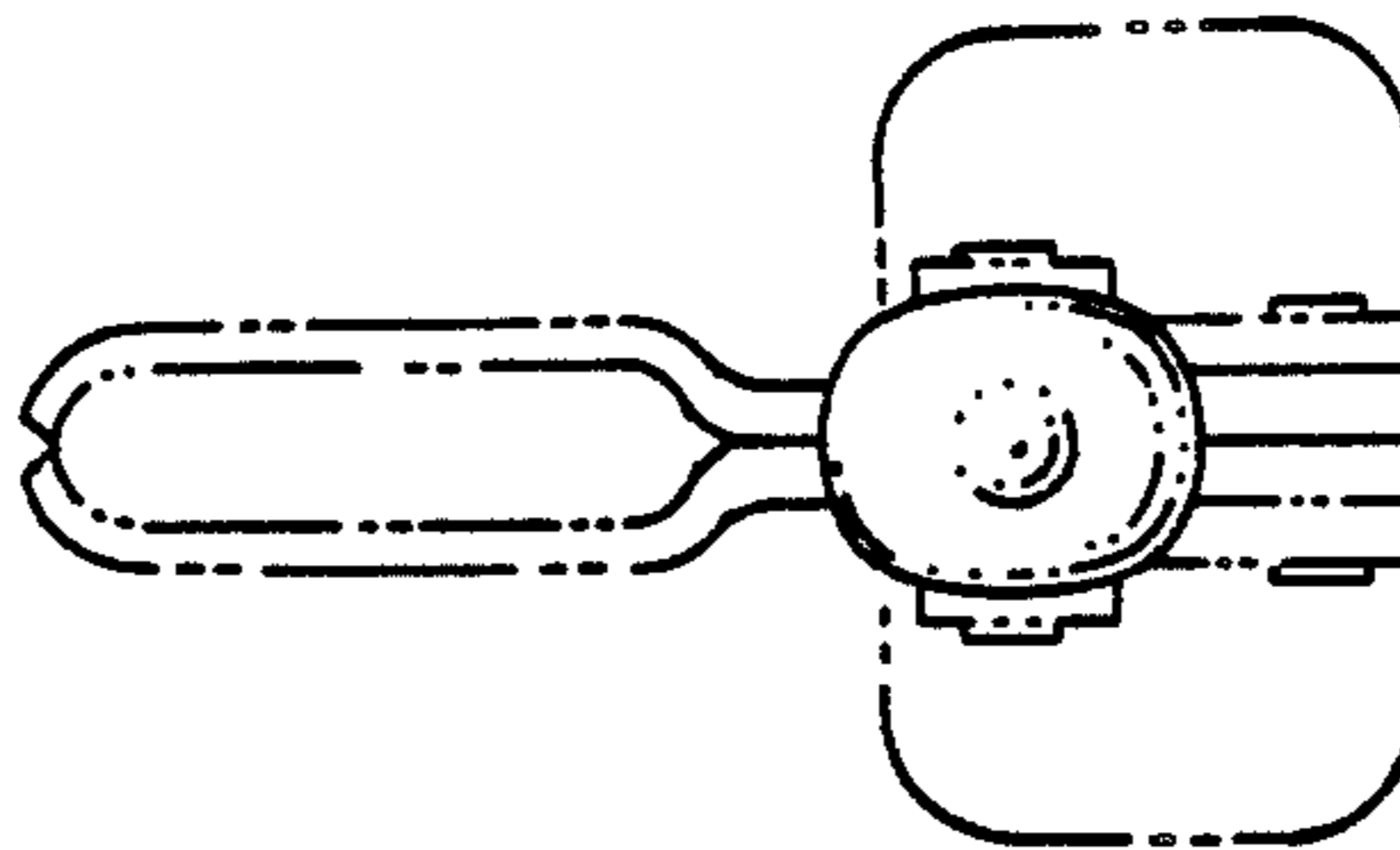


FIG. 1

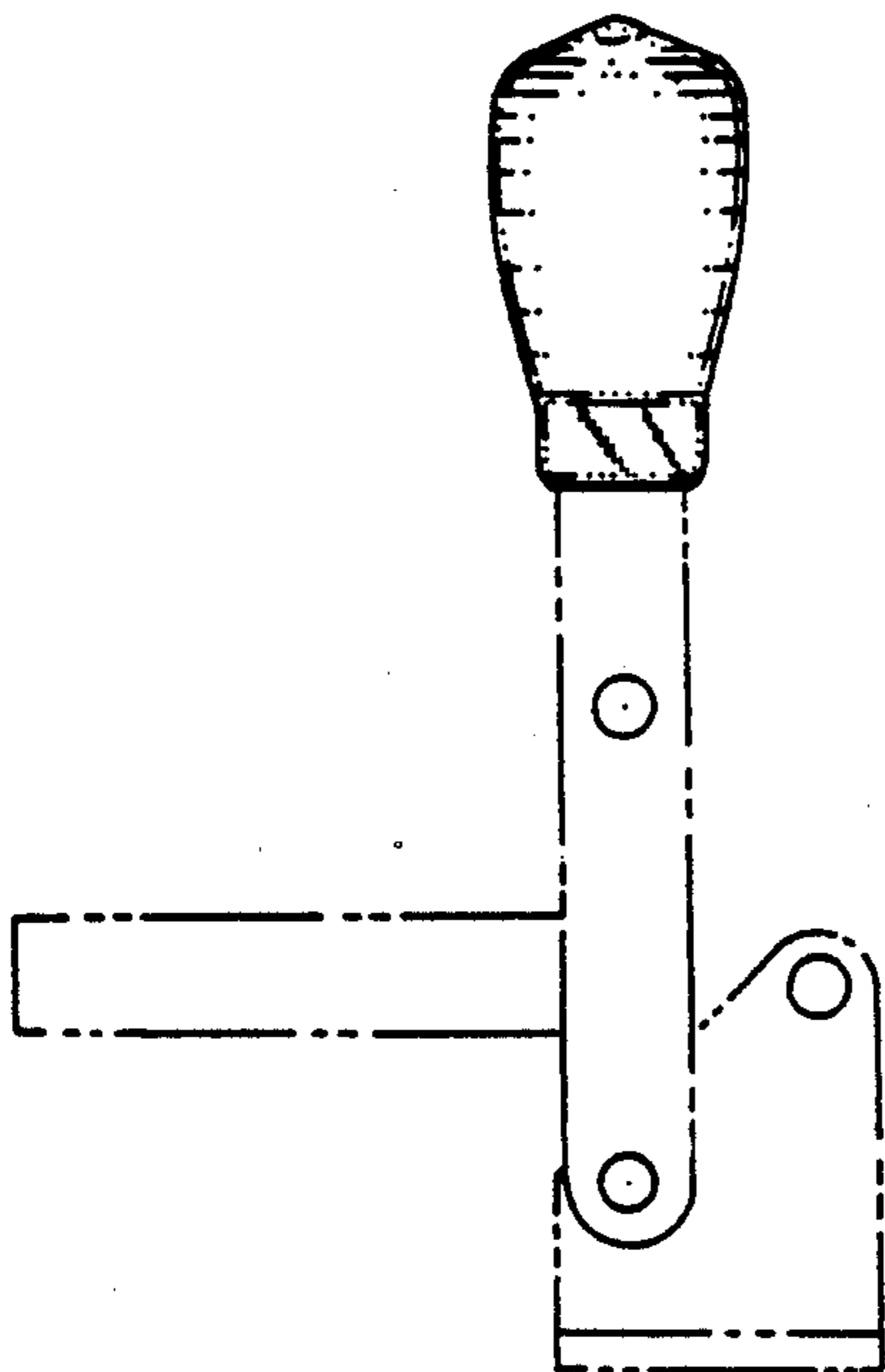


FIG. 2

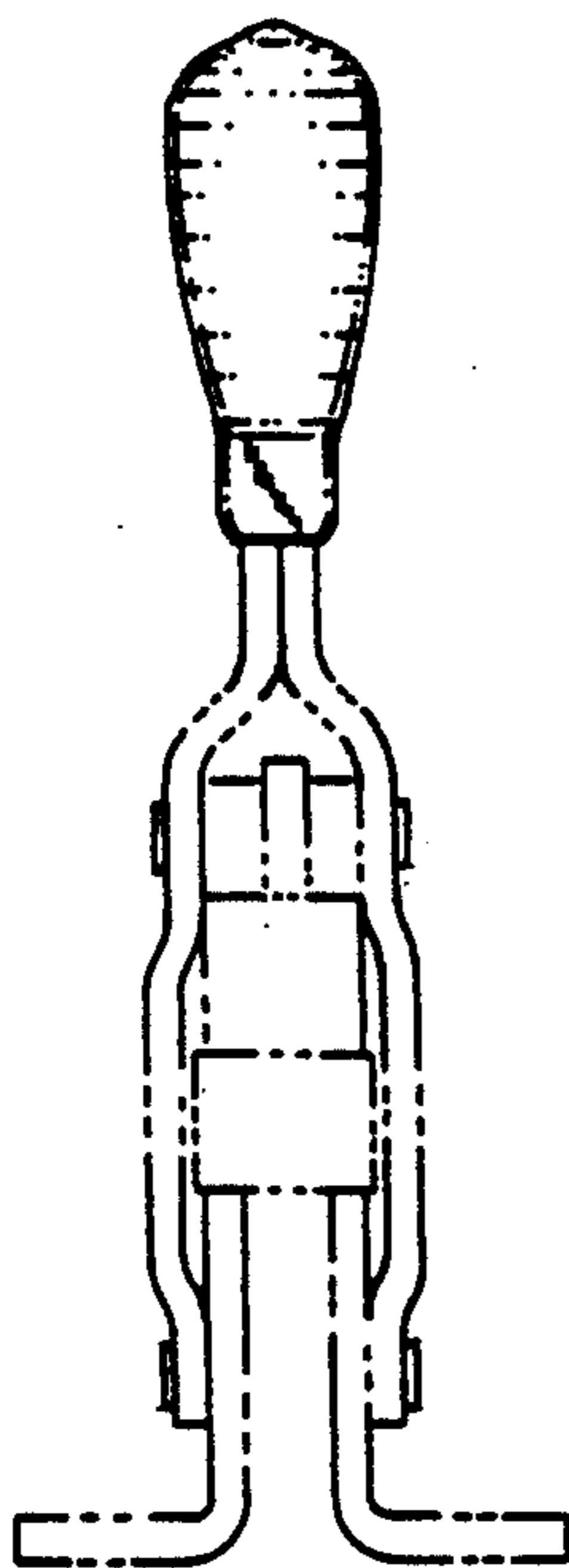


FIG. 3

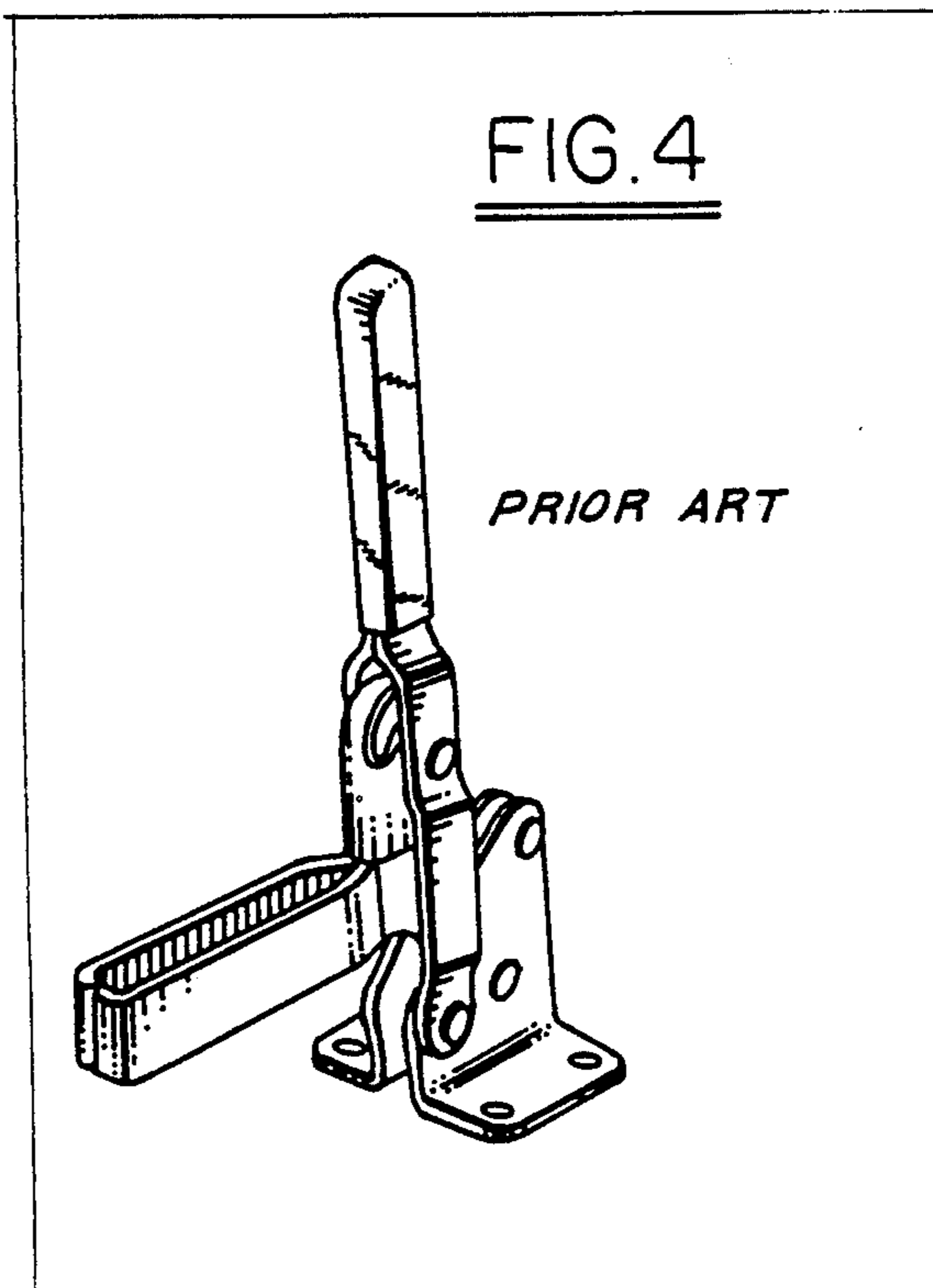


FIG. 4

*PRIOR ART*