

[54] ABRADING MACHINE

[75] Inventor: Roger T. Hoffman, Winnebago, Ill.

[73] Assignee: National-Detroit, Inc., Rockford, Ill.

[**] Term: 14 Years

[21] Appl. No.: 109,751

[22] Filed: Oct. 19, 1987

[52] U.S. Cl. D8/62

[58] Field of Search D8/61, 62, 67, 68, 69, D8/70; 51/170 R, 170 TL, 170 MT

[56] References Cited

U.S. PATENT DOCUMENTS

| | | | |
|-----------|---------|--------------|-----------|
| 2,334,172 | 11/1943 | Champayne | 51/170 |
| 2,751,725 | 6/1956 | Champayne | 51/170 |
| 3,052,950 | 9/1962 | Civitelli | 51/170 TL |
| 3,396,963 | 8/1968 | Hutchins | 51/170 R |
| 3,571,986 | 3/1971 | Champayne | 51/368 |
| 3,826,045 | 7/1974 | Champayne | 51/170 |
| 3,857,206 | 12/1974 | Heffran, Jr. | 51/170 |
| 4,686,797 | 8/1987 | Hoffman | 51/170 TL |

OTHER PUBLICATIONS

National-Detroit, Inc., 2/1984, back page of Sanders brochure, (top-"Leveler"FB-8).

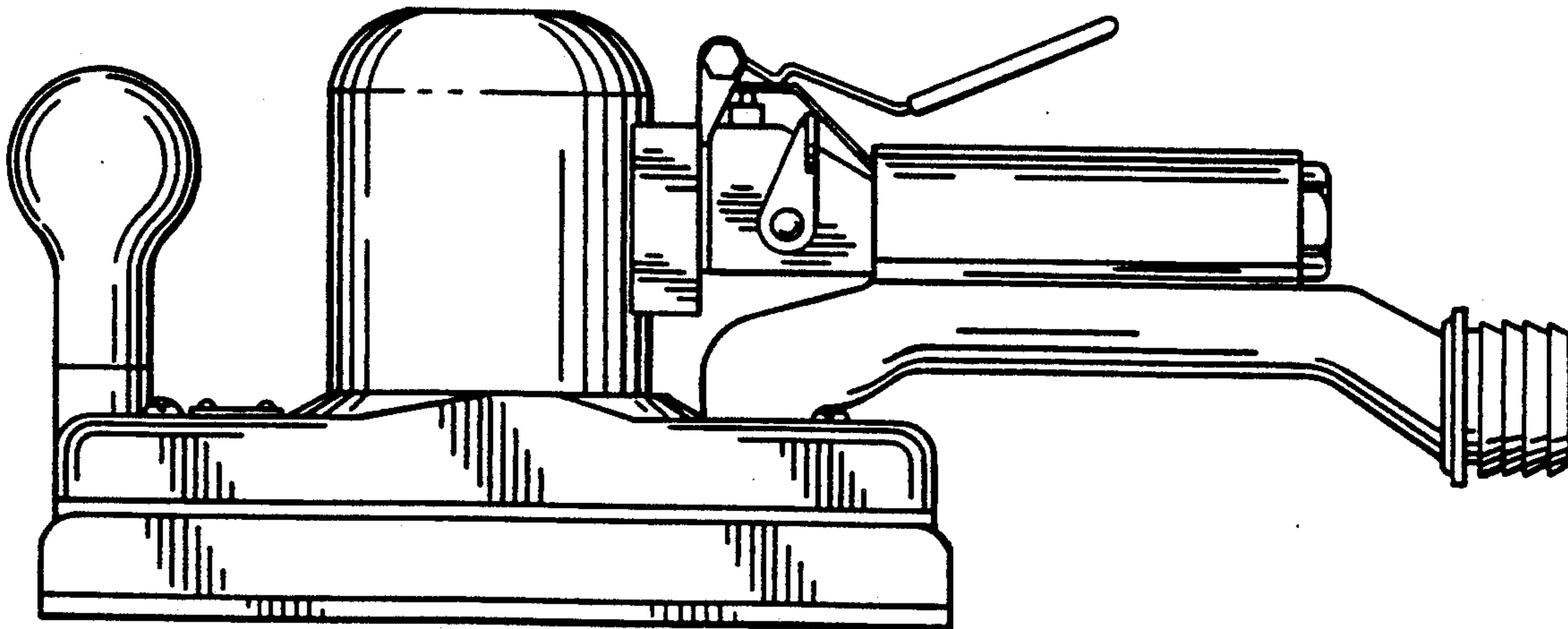
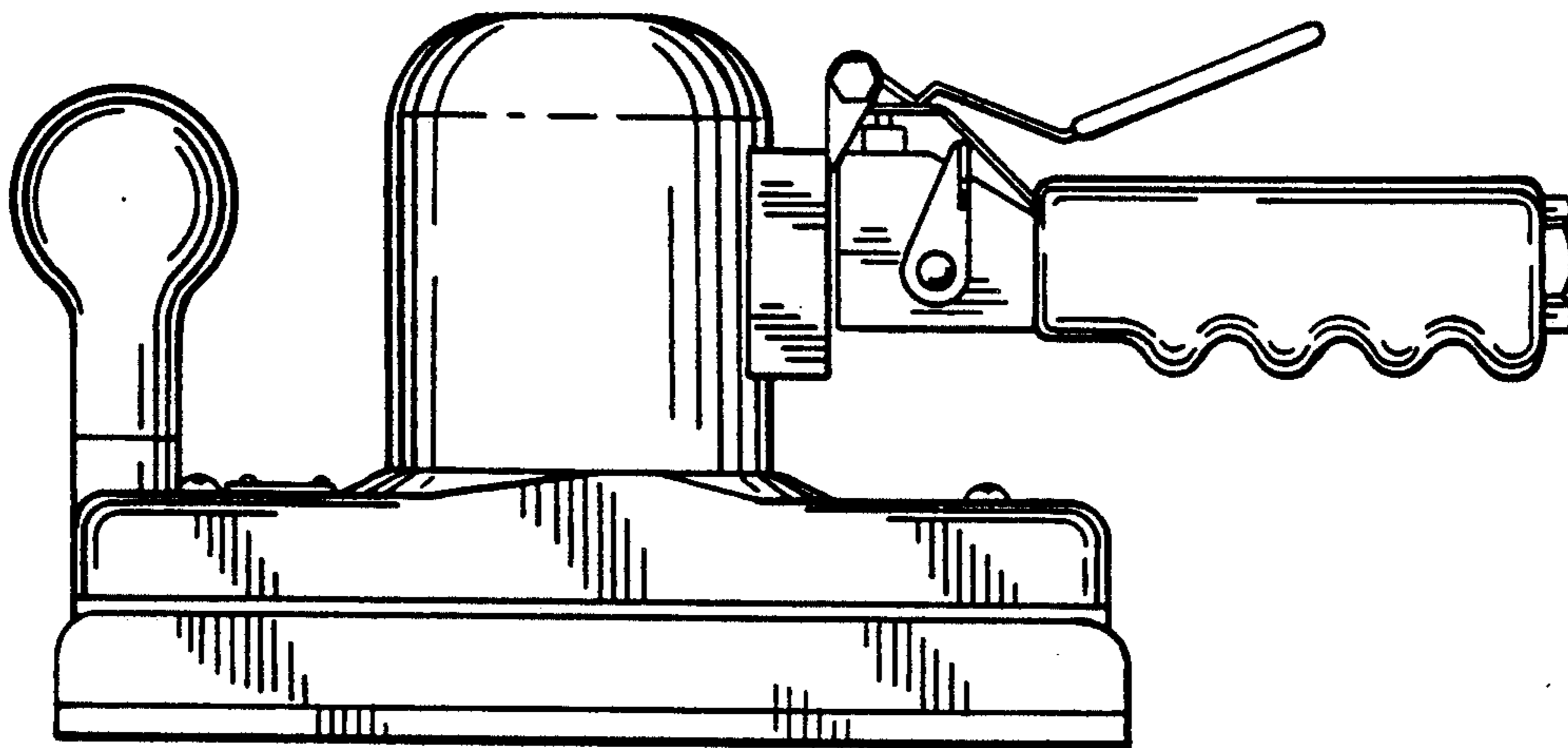
Primary Examiner—Nelson C. Holtje
Assistant Examiner—Gary D. Watson
Attorney, Agent, or Firm—Leydig, Voit & Mayer

[57] CLAIM

The ornamental design of an abrading machine, as shown and described.

DESCRIPTION

FIG. 1 is a top plan view of an abrading machine showing my new design;
 FIG. 2 is a left side elevational view; the right side view being substantially a mirror image thereof;
 FIG. 3 is a bottom plan view;
 FIG. 4 is a front elevational view;
 FIG. 5 is a rear elevational view;
 FIG. 6 is a top plan view of another embodiment of my new design of FIGS. 1 through 5;
 FIG. 7 is a left side elevational view; the right side view being substantially a mirror image thereof;
 FIG. 8 is a bottom plan view;
 FIG. 9 is a front elevational view; and
 FIG. 10 is a rear elevational view thereof.



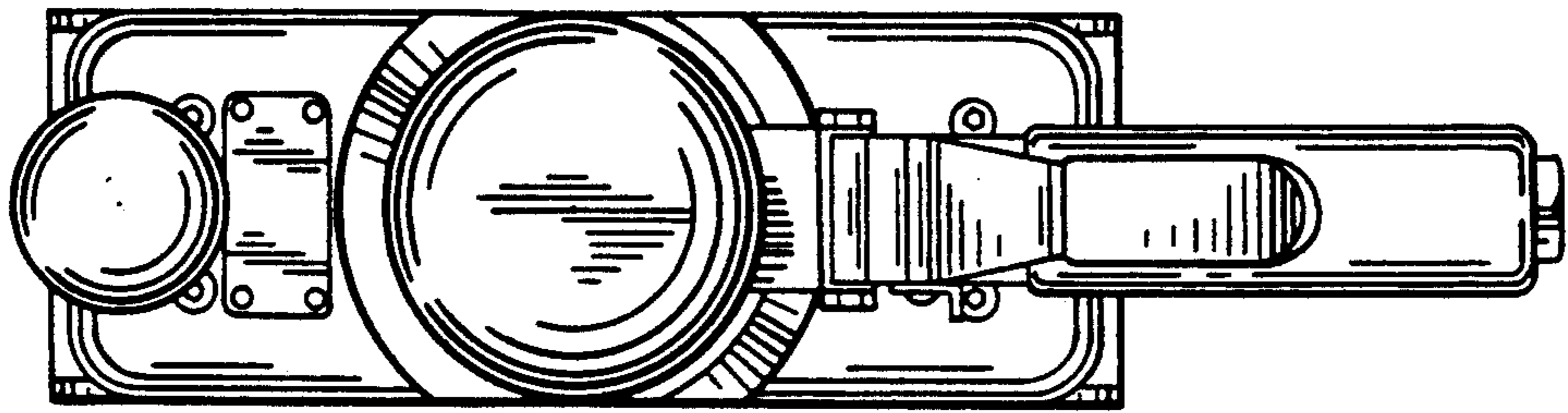


FIG. 1.

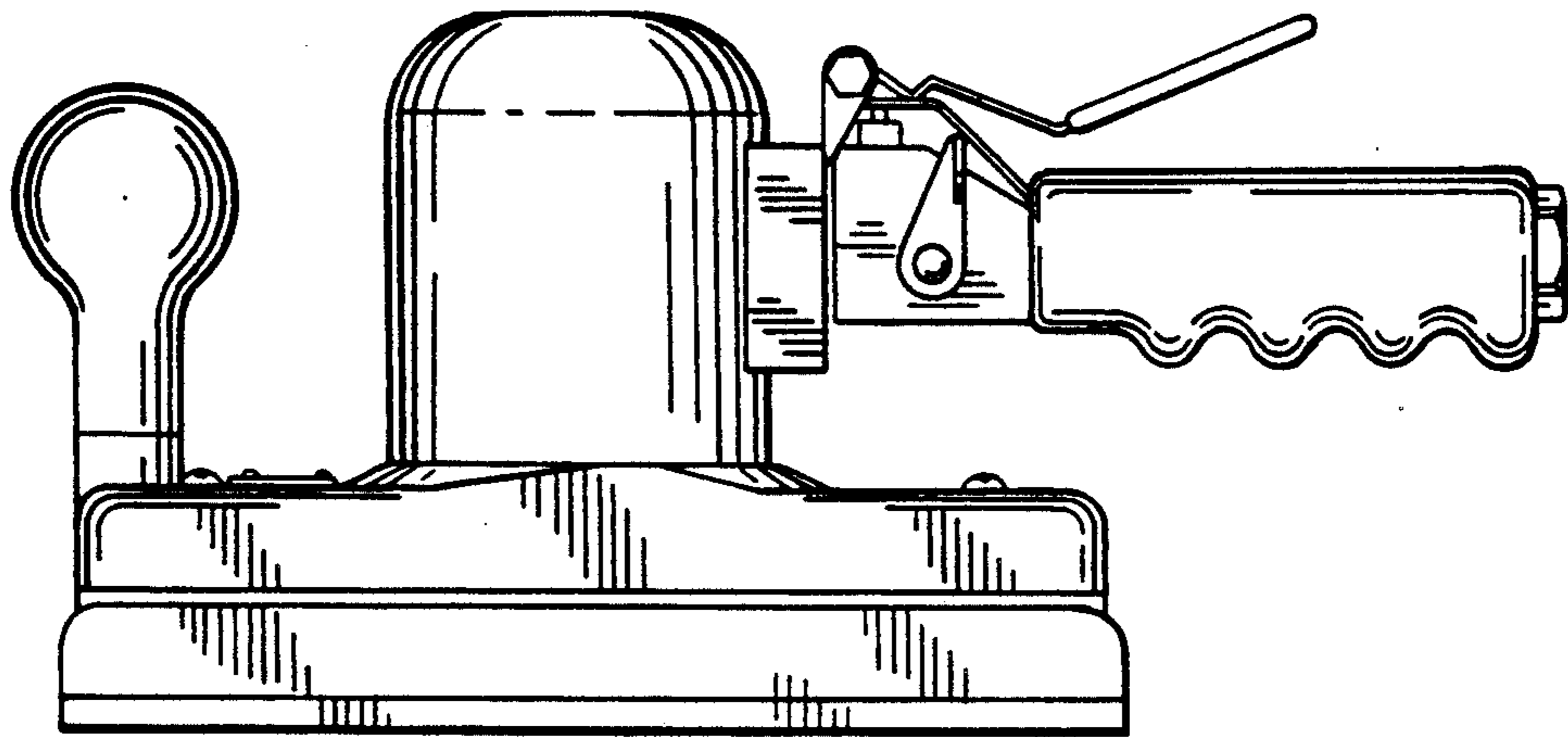


FIG. 2.

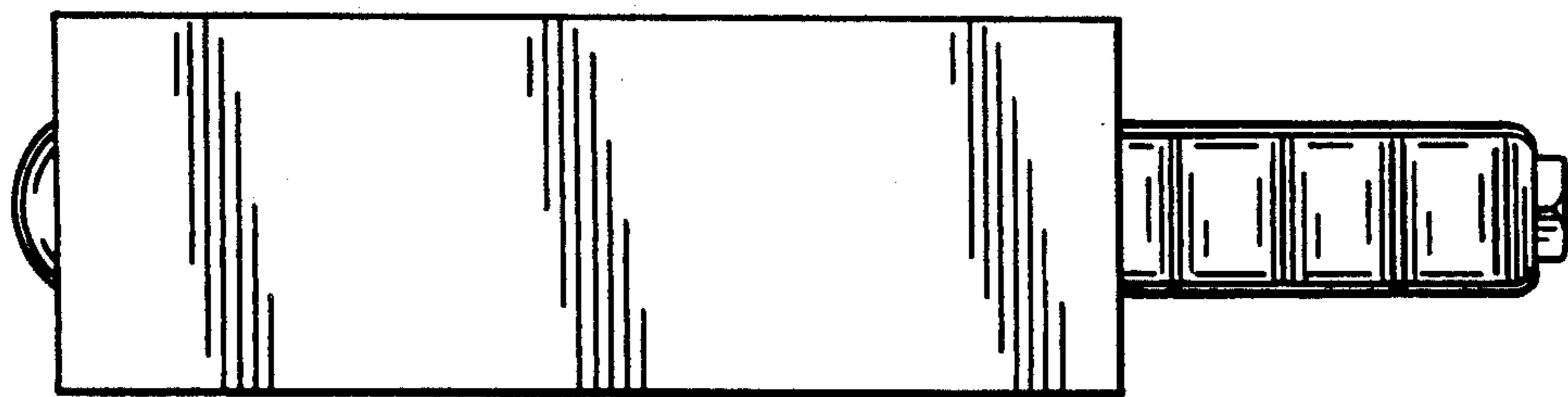


FIG. 3.

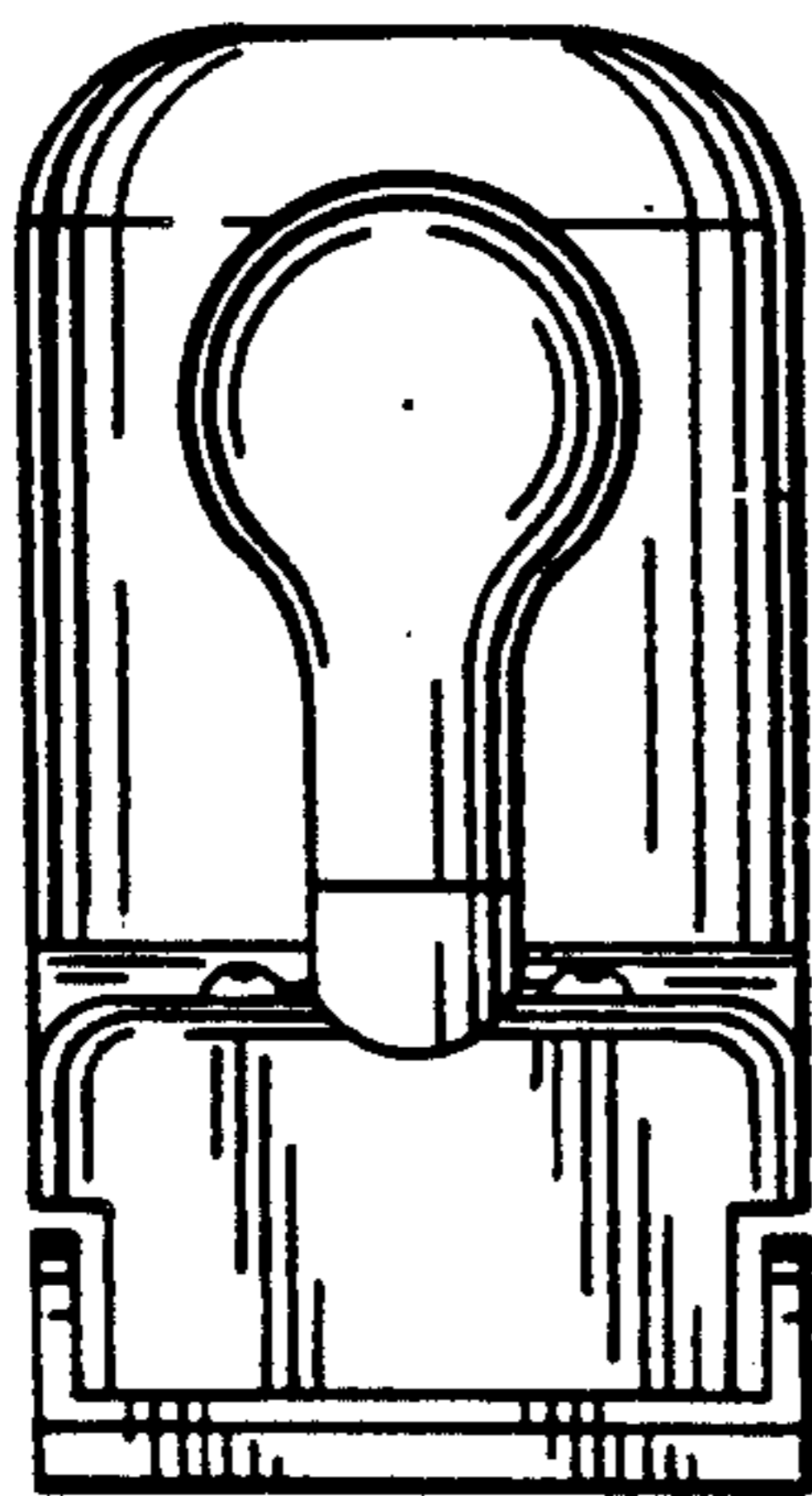


FIG. 4.

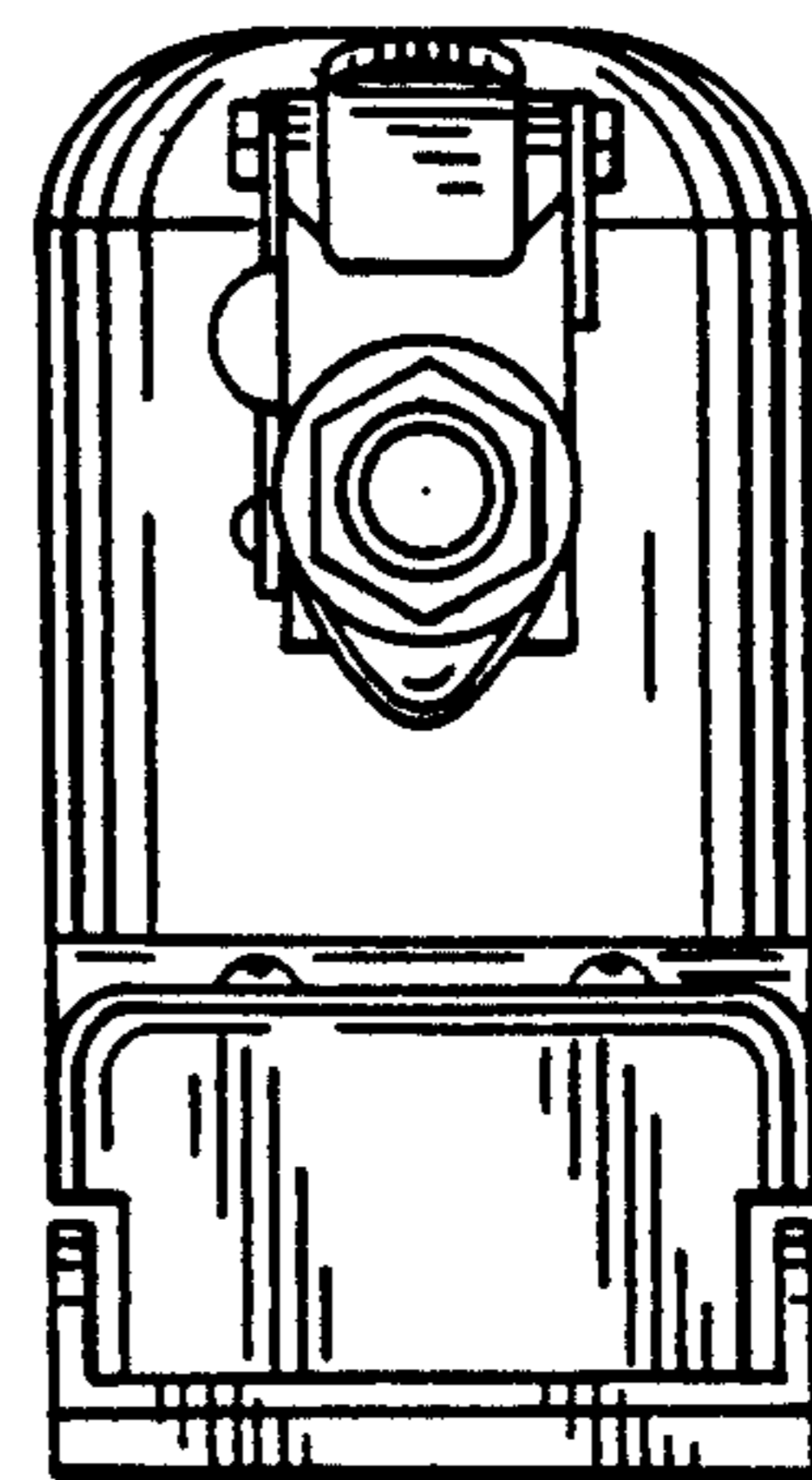


FIG. 5.

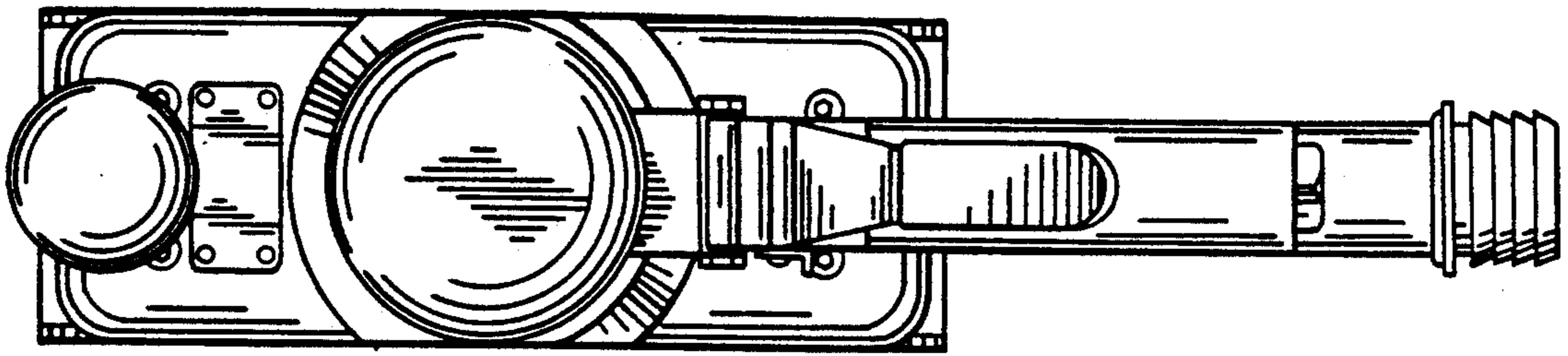


FIG. 6.

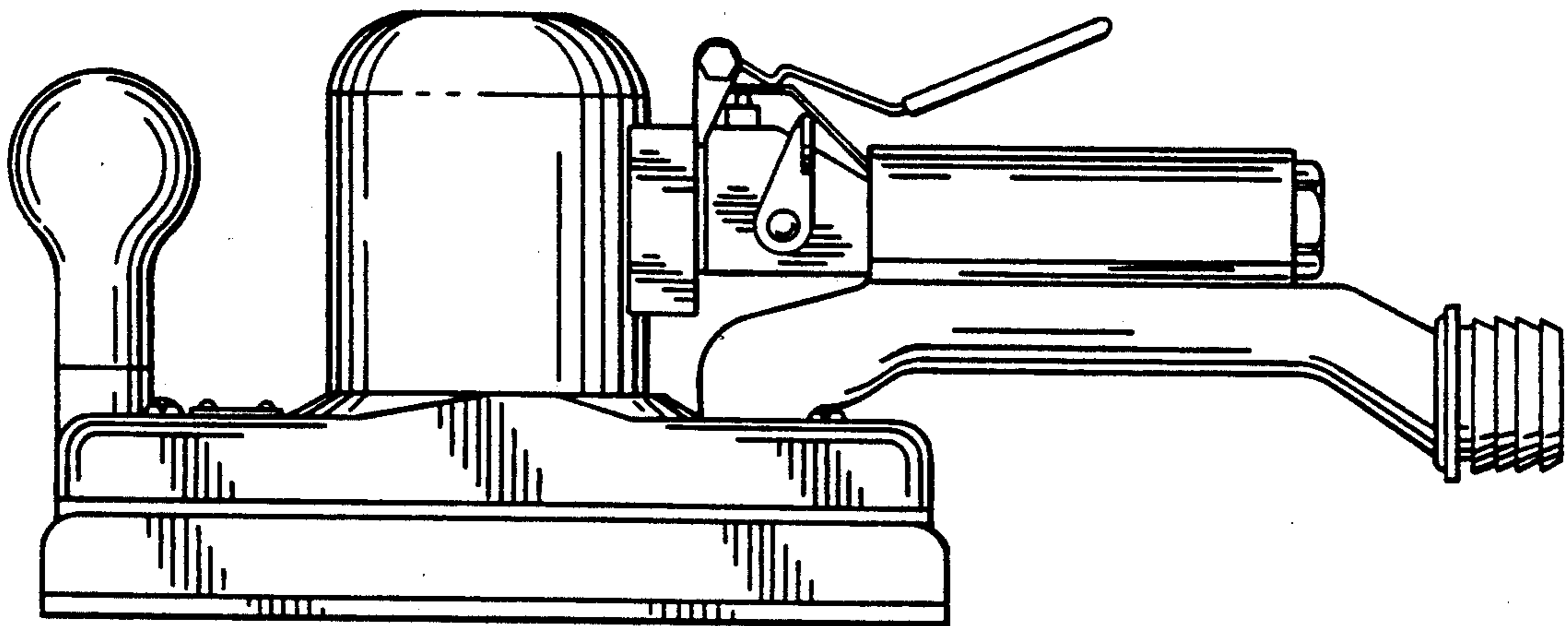


FIG. 7.

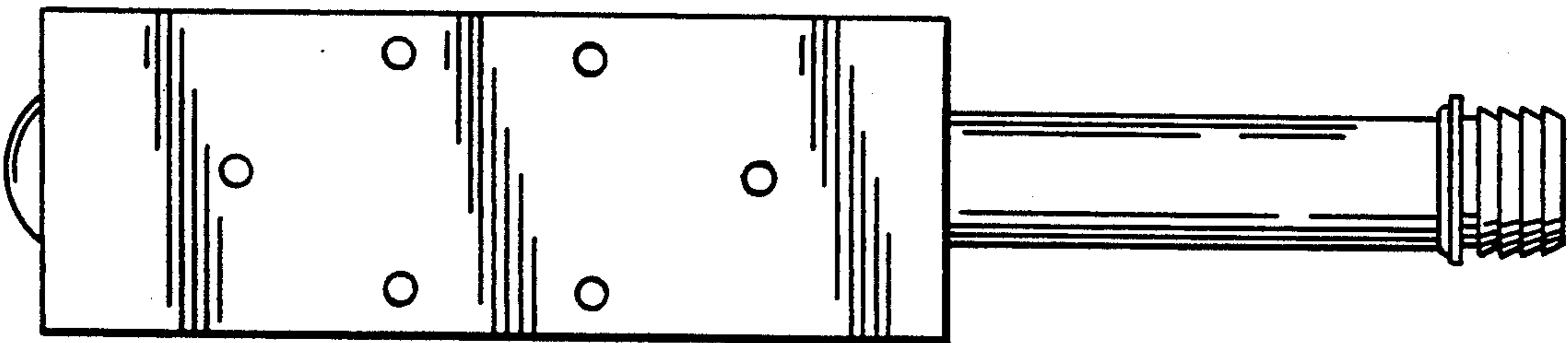


FIG. 8.

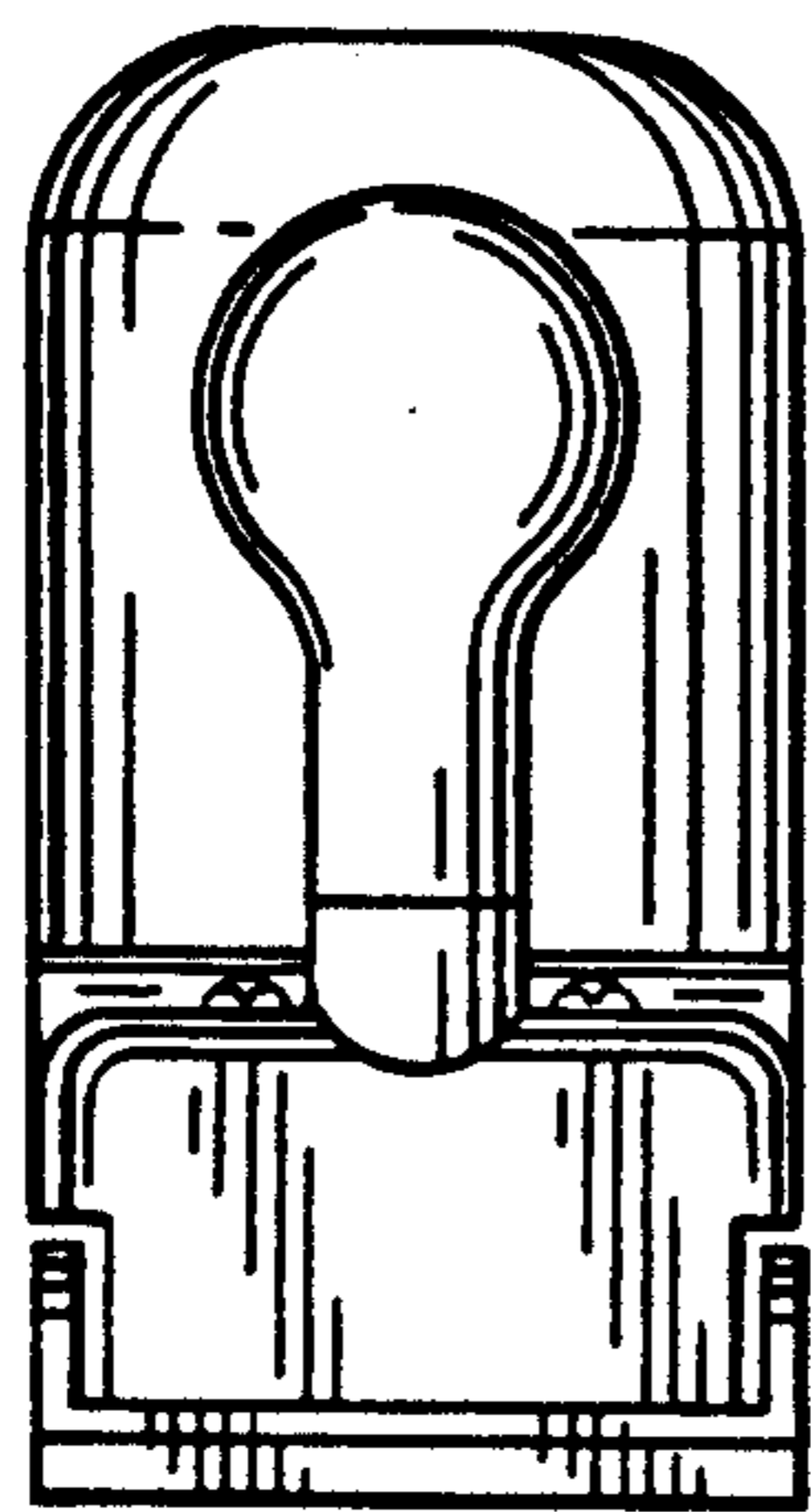


FIG. 9.

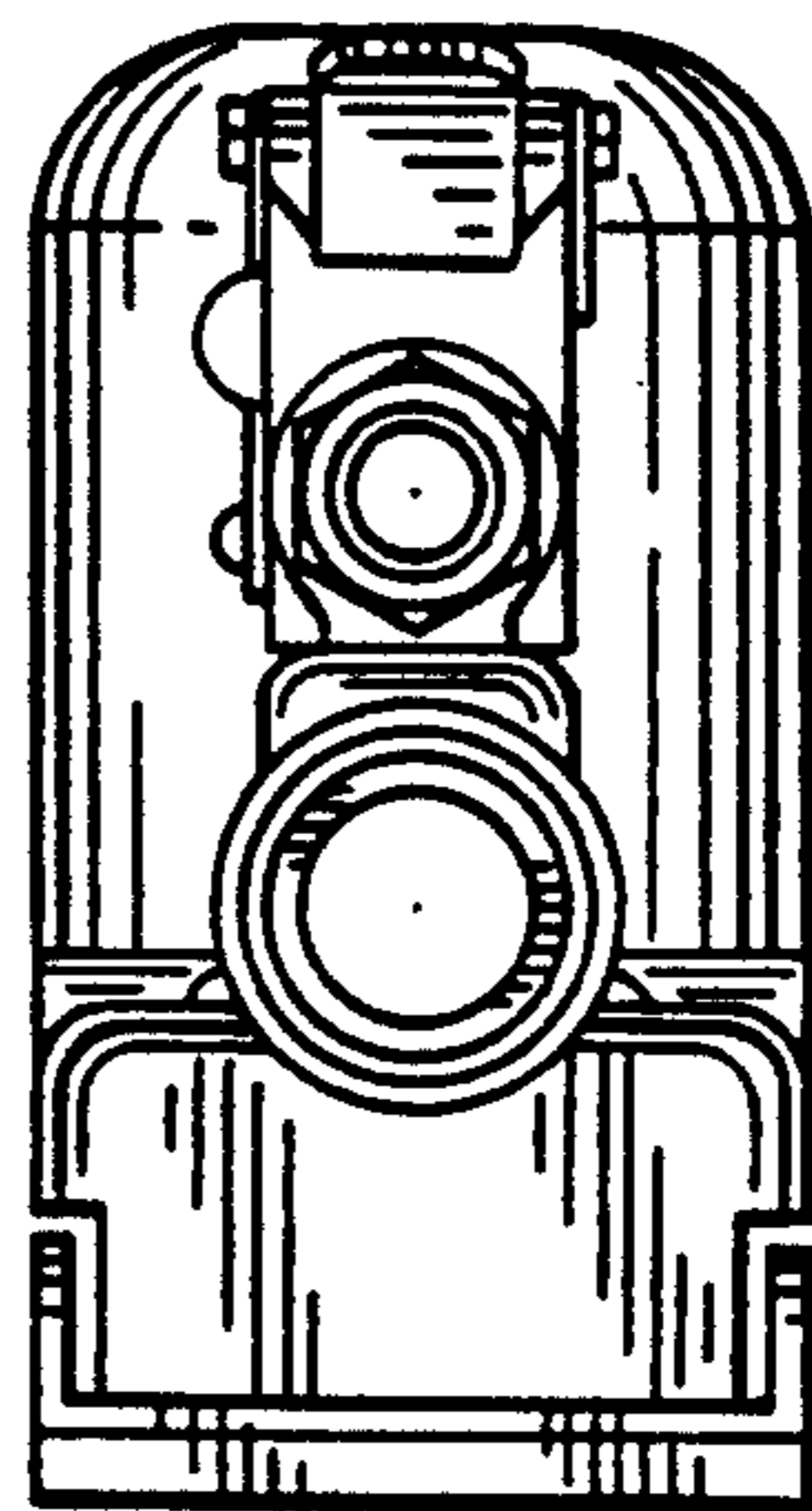


FIG. 10.