

[54] **RAIN GUTTER RAKE**

[76] **Inventor: Robert R. Rust, 219 Sixth St., Marysville, Calif. 95901**

[\*\*] **Term: 14 Years**

[21] **Appl. No.: 190,302**

[22] **Filed: May 4, 1988**

[52] **U.S. Cl. .... D8/51**

[58] **Field of Search ..... 15/144; D8/14, 22, 47, D8/51, 82, 98, 123; 294/19.1, 28**

[56] **References Cited**

**U.S. PATENT DOCUMENTS**

|            |         |                 |            |
|------------|---------|-----------------|------------|
| D. 249,010 | 8/1978  | Currie .....    | D8/51      |
| 427,555    | 5/1890  | Connor .....    | 294/28 X   |
| 580,268    | 4/1897  | Gartelman ..... | 294/28     |
| 2,896,239  | 7/1959  | Bugbird .....   | 294/19.1 X |
| 3,352,589  | 11/1967 | Kilboy .....    | 294/28 X   |
| 3,601,835  | 8/1971  | Morgan .....    | 294/19.1 X |
| 3,626,542  | 2/1970  | Despain .....   | 294/19.1 X |
| 3,743,339  | 7/1973  | Brackett .....  | 294/19.1   |
| 3,972,552  | 8/1976  | Earp .....      | 294/19.1   |
| 4,057,276  | 11/1977 | Currie .....    | 294/19.1   |
| 4,310,940  | 1/1982  | Moore .....     | 294/19.1 X |

4,447,927 5/1984 Malless ..... 294/19.1 X

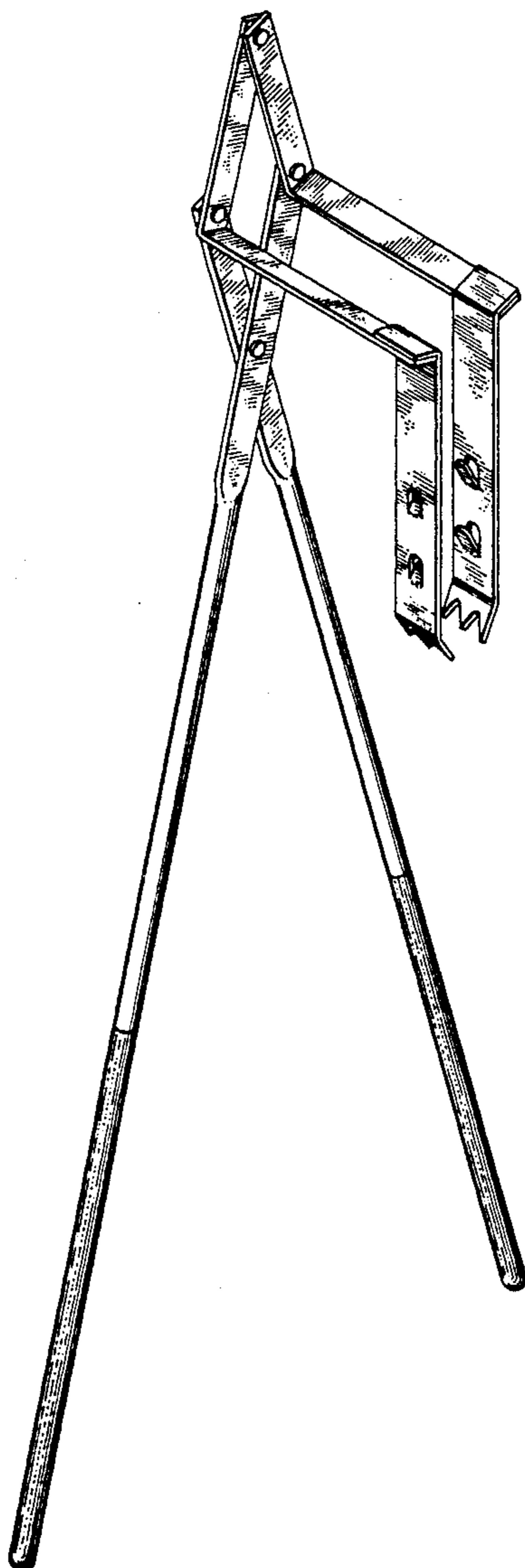
*Primary Examiner*—Bruce W. Dunkins  
*Assistant Examiner*—M. Hannon  
*Attorney, Agent, or Firm*—Lothrop & West

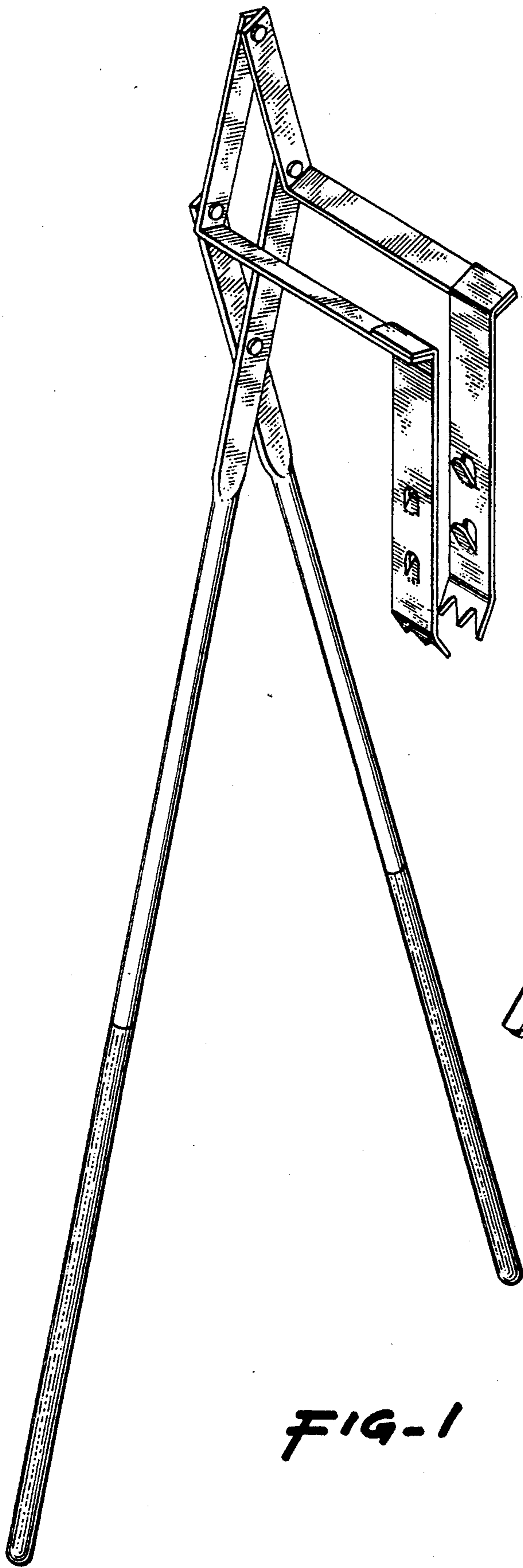
[57] **CLAIM**

The ornamental design for a rain gutter rake, as shown and described.

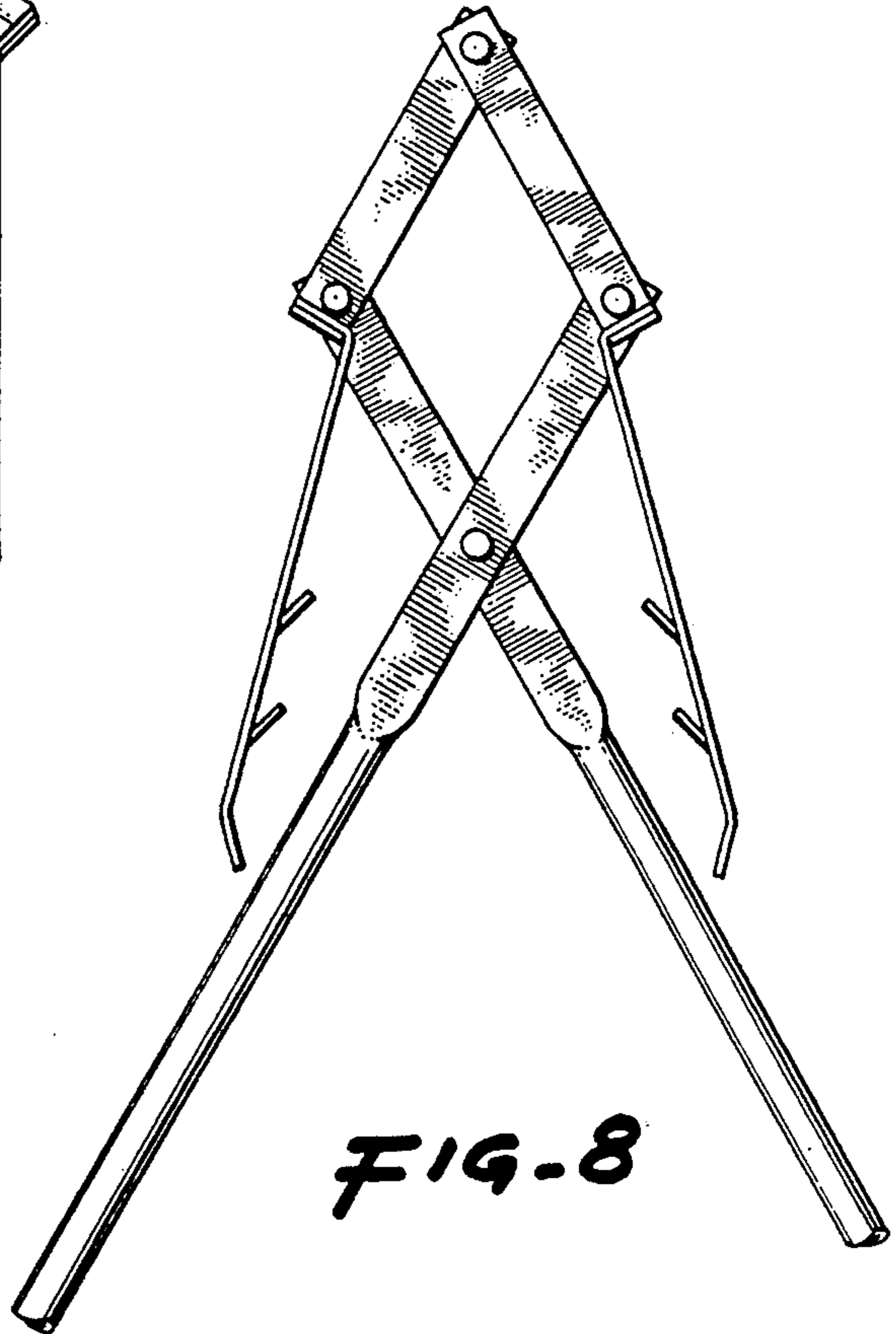
**DESCRIPTION**

FIG. 1 is a front perspective view of a rain gutter rake, showing my new design, the rake pickup jaws being shown in substantially closed position;  
 FIG. 2 is a front elevational view thereof;  
 FIG. 3 is a rear elevational view thereof;  
 FIG. 4 is an elevational view of the left-hand side thereof;  
 FIG. 5 is an elevational view of the right-hand side thereof;  
 FIG. 6 is a top plan view thereof;  
 FIG. 7 is a bottom plan view thereof; and,  
 FIG. 8 is a front elevational view, comparable to FIG. 2, but showing the rake pickup jaws in open position, a portion of the handles being broken away to reduce the extent of the figure.

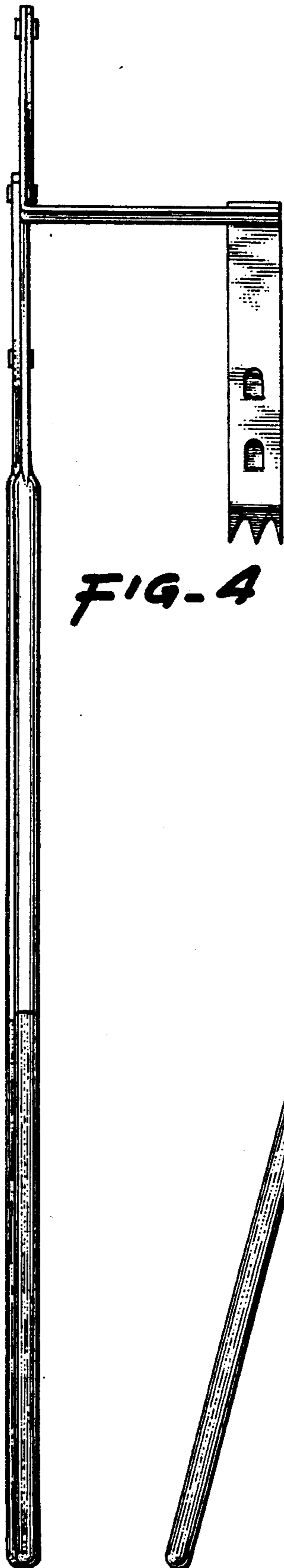




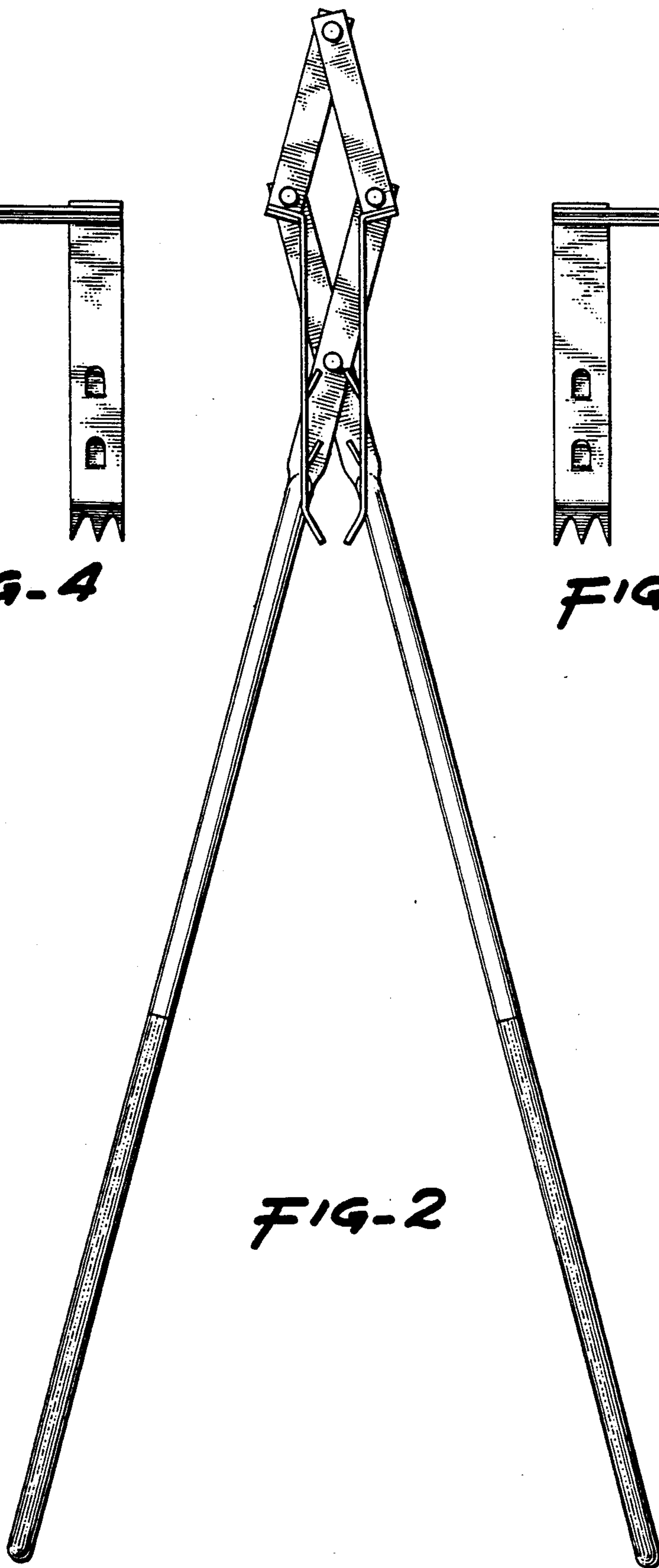
**FIG-1**



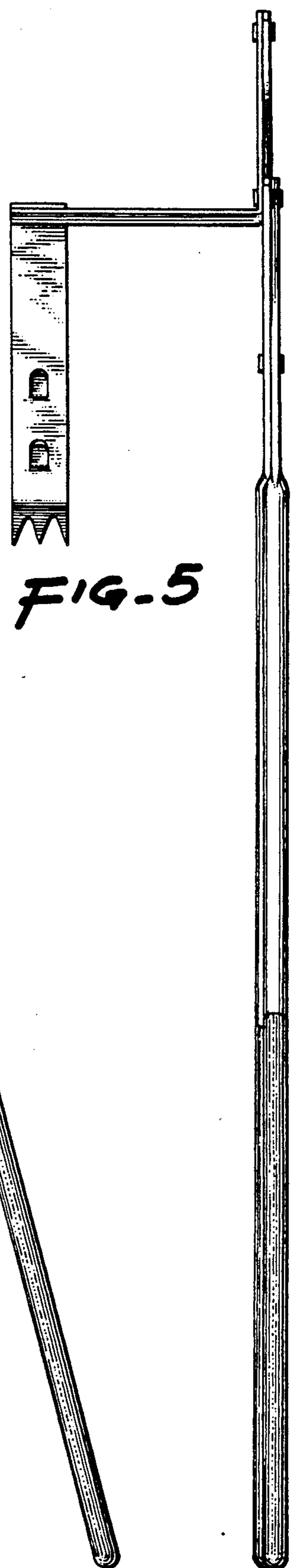
**FIG-8**



*FIG. 4*



*FIG. 2*



*FIG. 5*

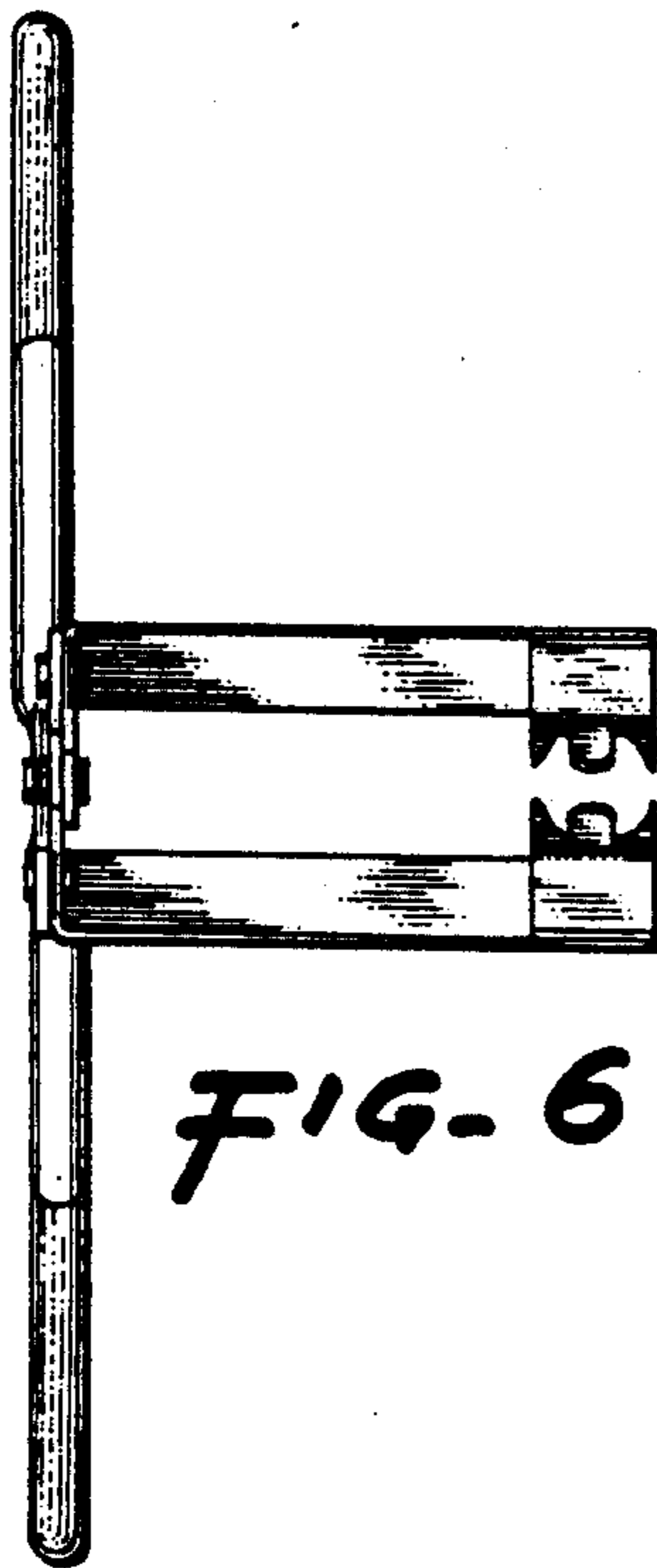


FIG-6

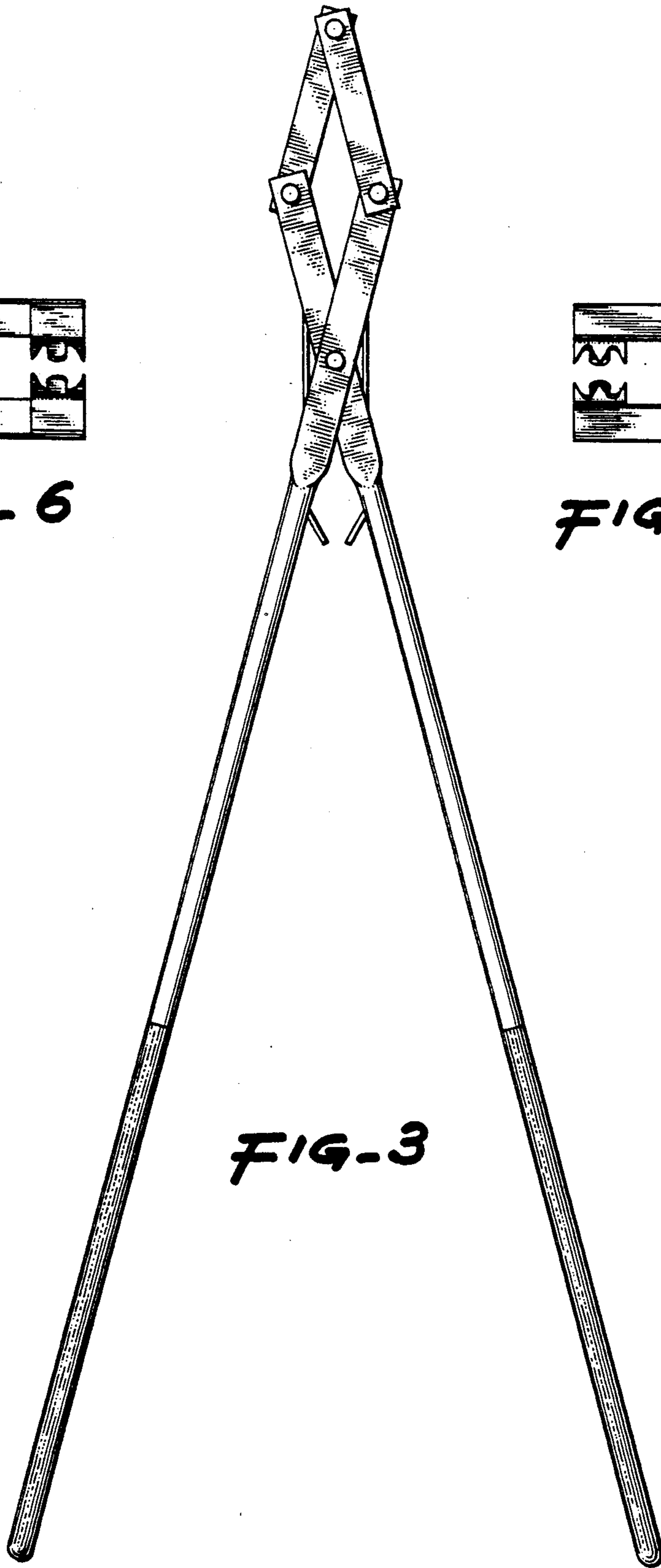


FIG-3

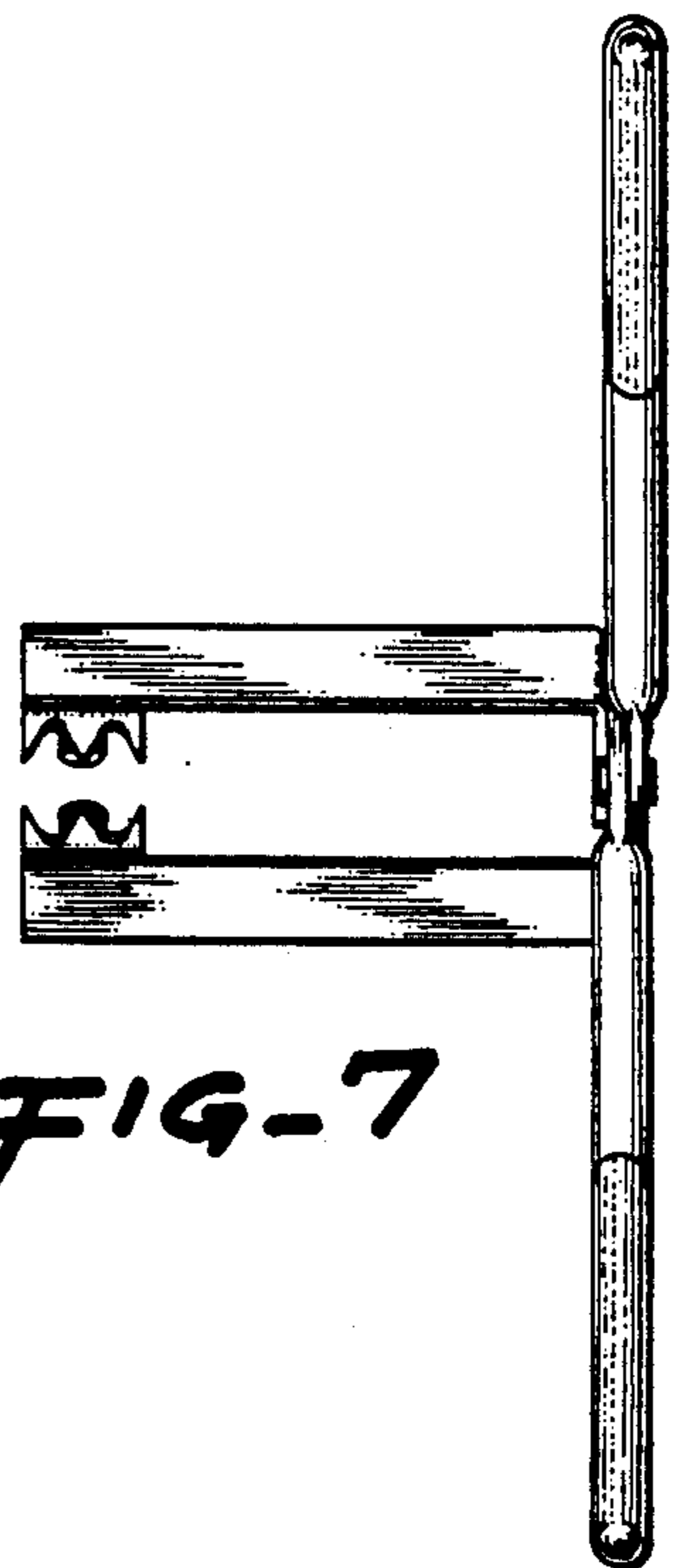


FIG-7