

[54] **STAPLER**

3,630,428 12/1971 Olney 227/128

[76] **Inventor:** Jackson Hung, No. 162-1, Shan Geau Road, Dah Tsuen Hsiang, Changhua Hsien, Taiwan

Primary Examiner—Bernard Ansher
Assistant Examiner—Terry A. Pfeffer
Attorney, Agent, or Firm—Renner, Otto, Boisselle & Sklar

[**] **Term:** 14 Years

[21] **Appl. No.:** 198,379

[22] **Filed:** May 25, 1988

[52] **U.S. Cl.** D8/50

[58] **Field of Search** D8/49, 50; 227/120, 227/127-128, 130-132

[57] **CLAIM**

The ornamental design for a stapler, as shown and described.

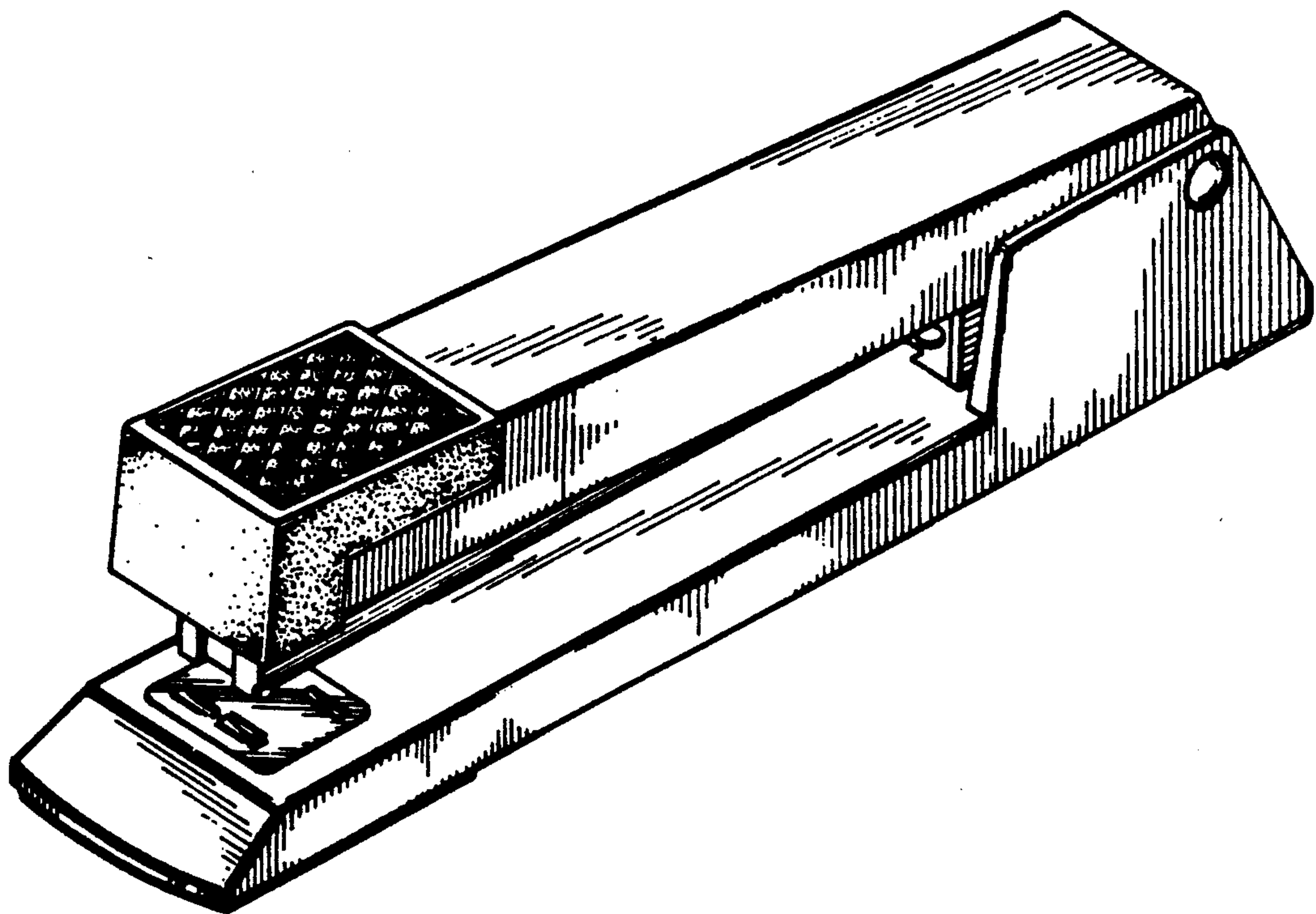
DESCRIPTION

FIG. 1 is a perspective view of a stapler showing my new design;
FIG. 2 is a front elevational view thereof;
FIG. 3 is a rear elevational view thereof;
FIG. 4 is a top plan view thereof;
FIG. 5 is a bottom plan view thereof;
FIG. 6 is a left side elevational view thereof; and
FIG. 7 is a right side elevational view thereof.

[56] **References Cited**

U.S. PATENT DOCUMENTS

- D. 156,834 1/1950 Maizano D8/50
- D. 275,727 10/1984 Rosenblad D8/50
- D. 292,962 12/1987 Leszczak D8/50



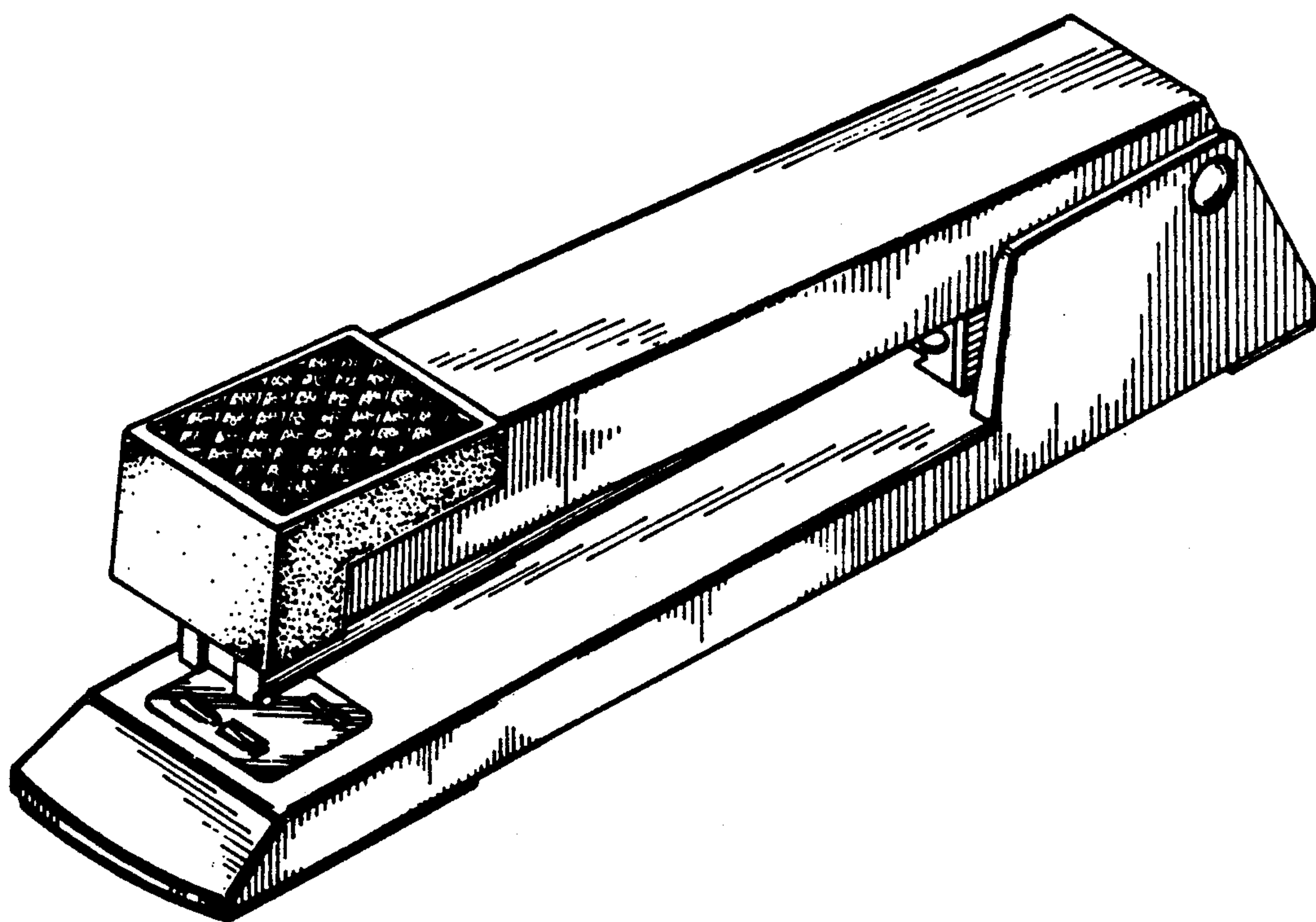


Fig . 1

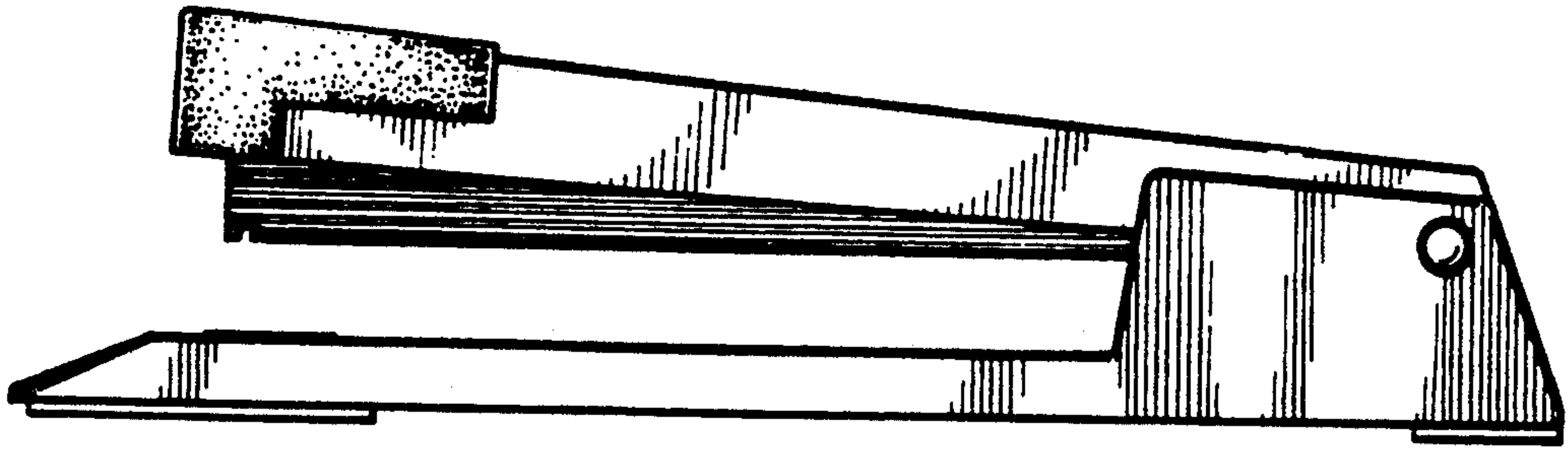


Fig. 2

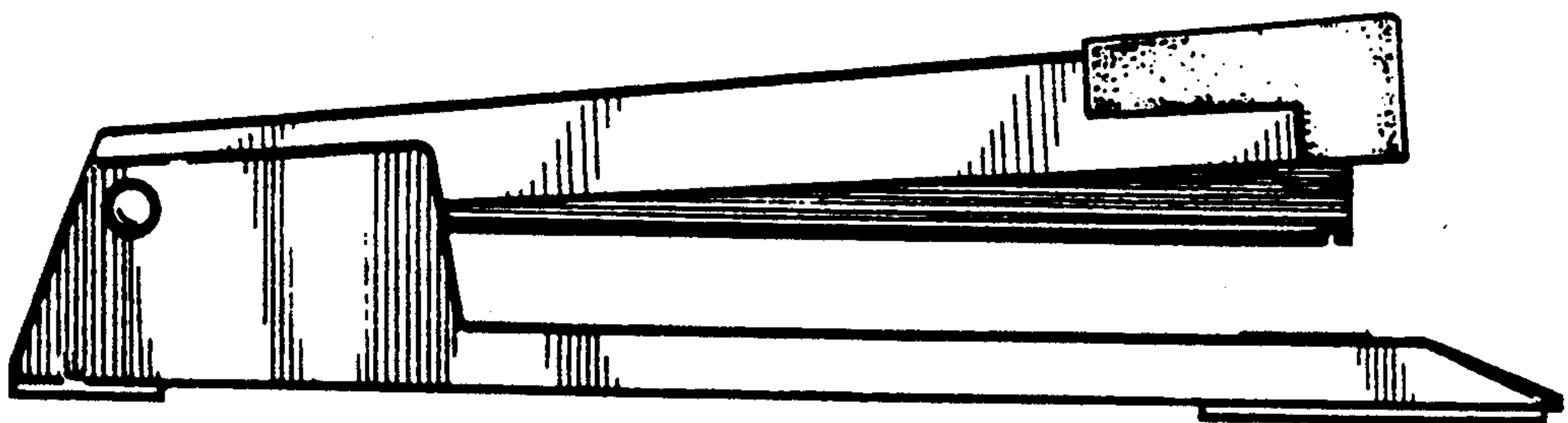


Fig. 3



Fig. 4

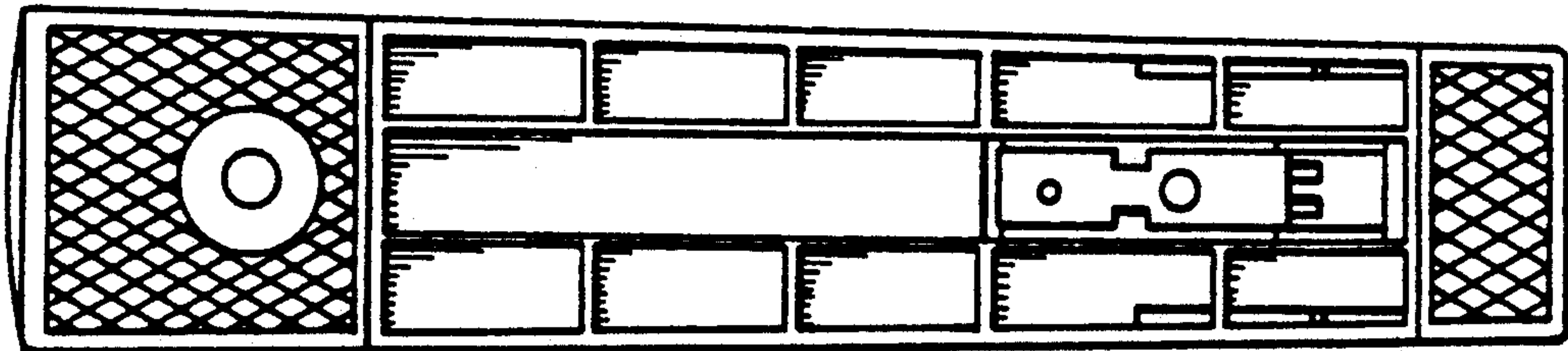


Fig. 5

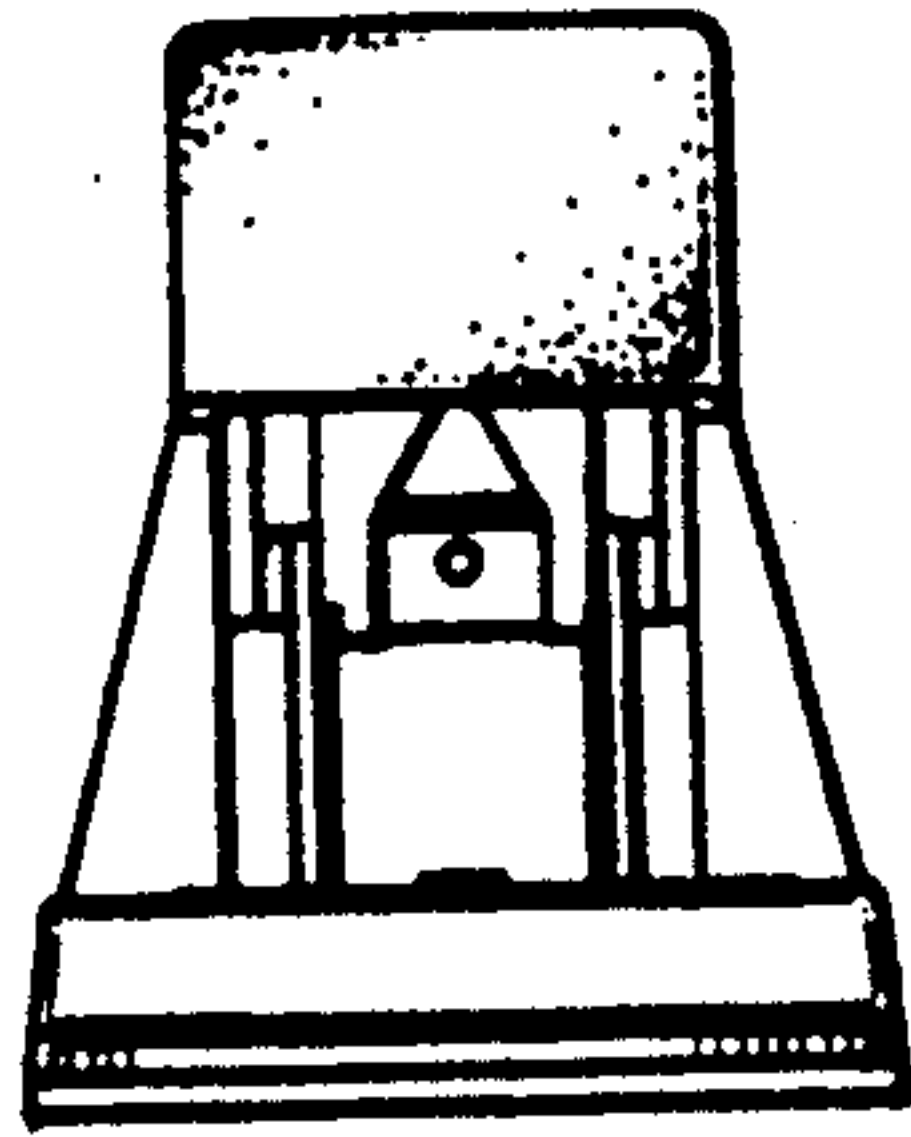


Fig . 6

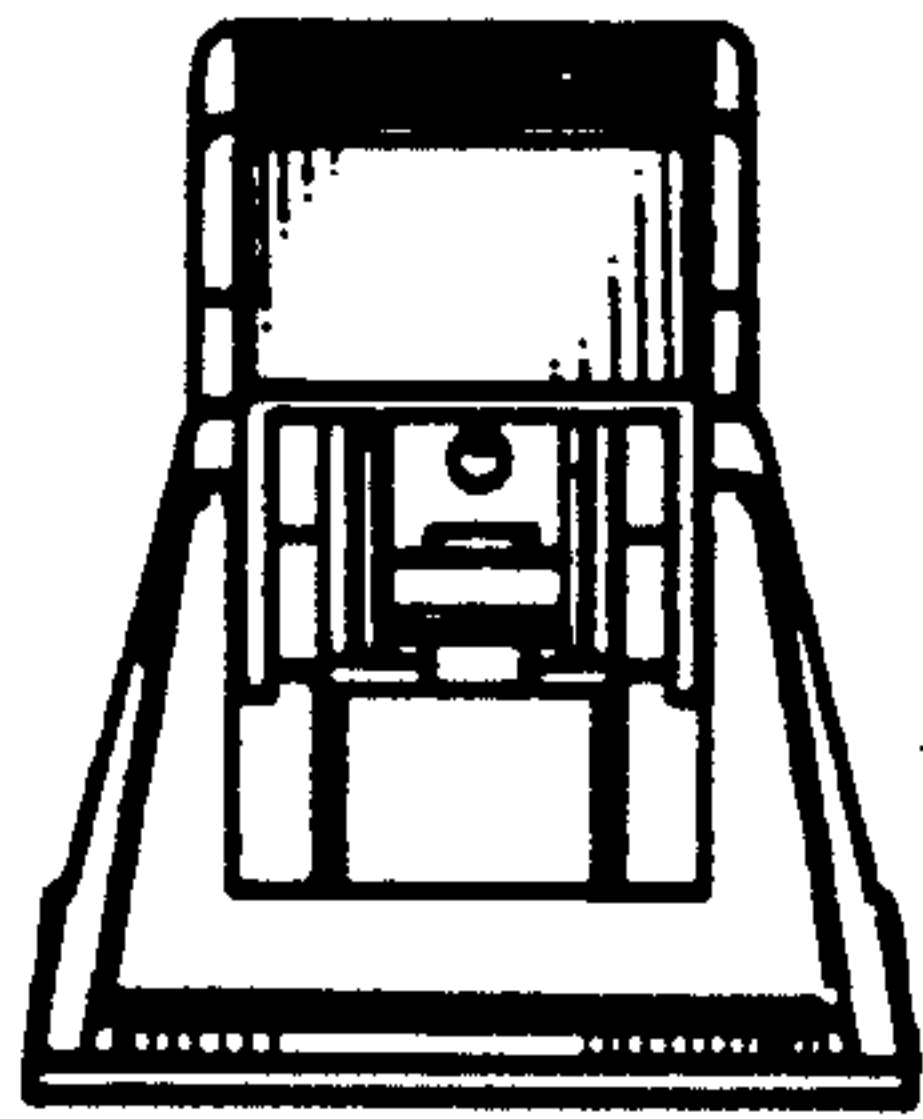


Fig . 7