

[54] TOOL FOR REPAIRING A BREAK IN GLASS

[76] Inventor: William A. Jones, 7197½ NW. 16, Bethany, Okla. 73008

[**] Term: 14 Years

[21] Appl. No.: 88,902

[22] Filed: Aug. 24, 1987

[52] U.S. Cl. D8/14

[58] Field of Search D8/70, 66, 98, 14, 51; 156/94; 425/12, 13

[56] References Cited

U.S. PATENT DOCUMENTS

D. 116,018	8/1939	Cathcard	D8/98
3,988,400	10/1976	Luhman	156/94 X
4,744,841	5/1988	Thomas	156/94 X

OTHER PUBLICATIONS

Snap-On Tools, Mar. 1979, Bar-Type Pullers, B, p. 186, case in room 1215, #5.

Primary Examiner—Bruce W. Dunkins

Assistant Examiner—M. Hannon

Attorney, Agent, or Firm—Dunlap, Coddling, Peterson & Lee

[57] CLAIM

The ornamental design for tool for repairing a break in glass, as shown.

DESCRIPTION

FIG. 1 is a side elevational view of a (tool for repairing a break in glass) showing my design;

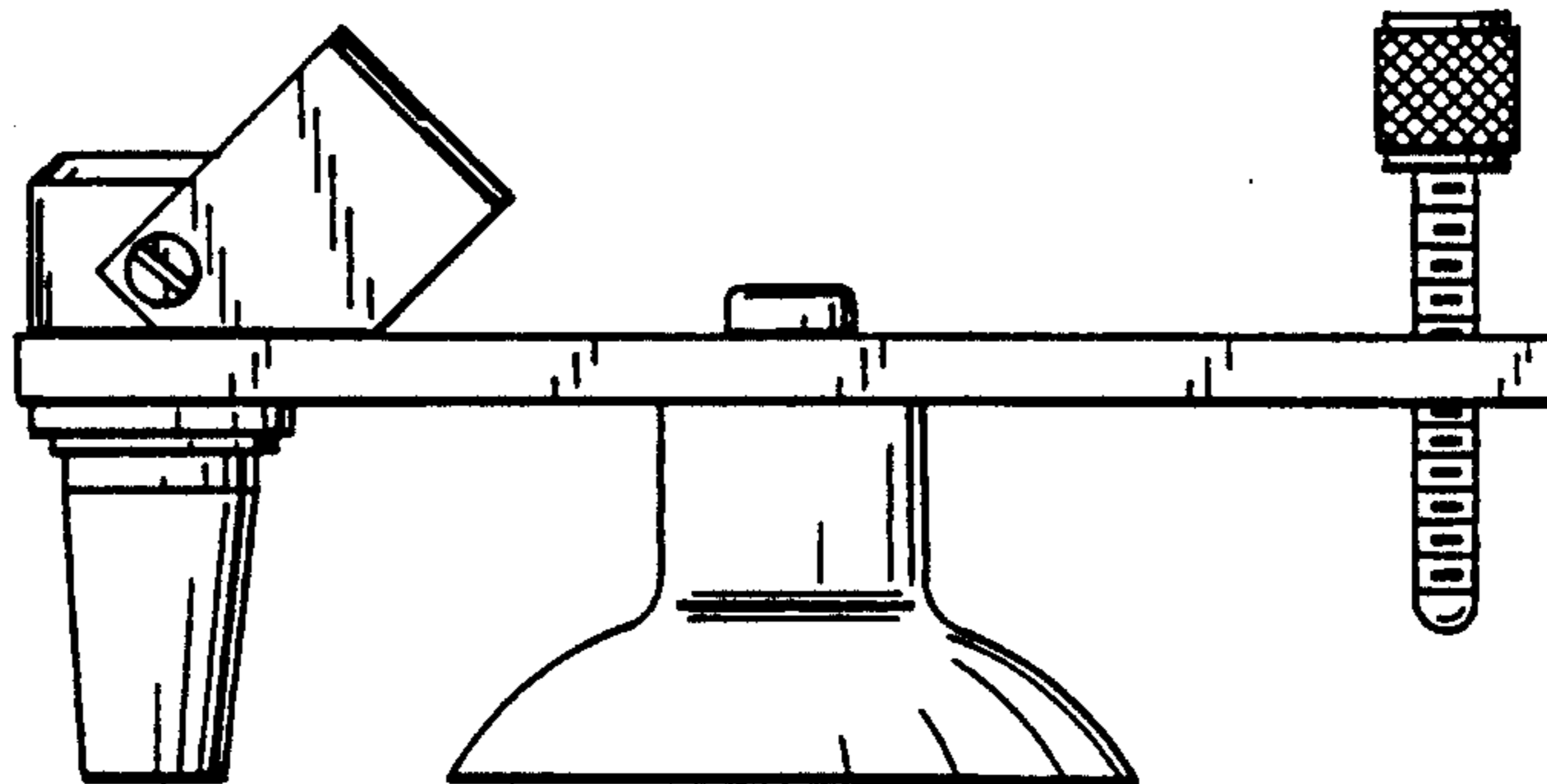
FIG. 2 is an elevational view showing the side opposite that shown in FIG. 1;

FIG. 3 is a top plan view;

FIG. 4 is a bottom plan view;

FIG. 5 is a front elevational view; and

FIG. 6 is a rear elevational view thereof.



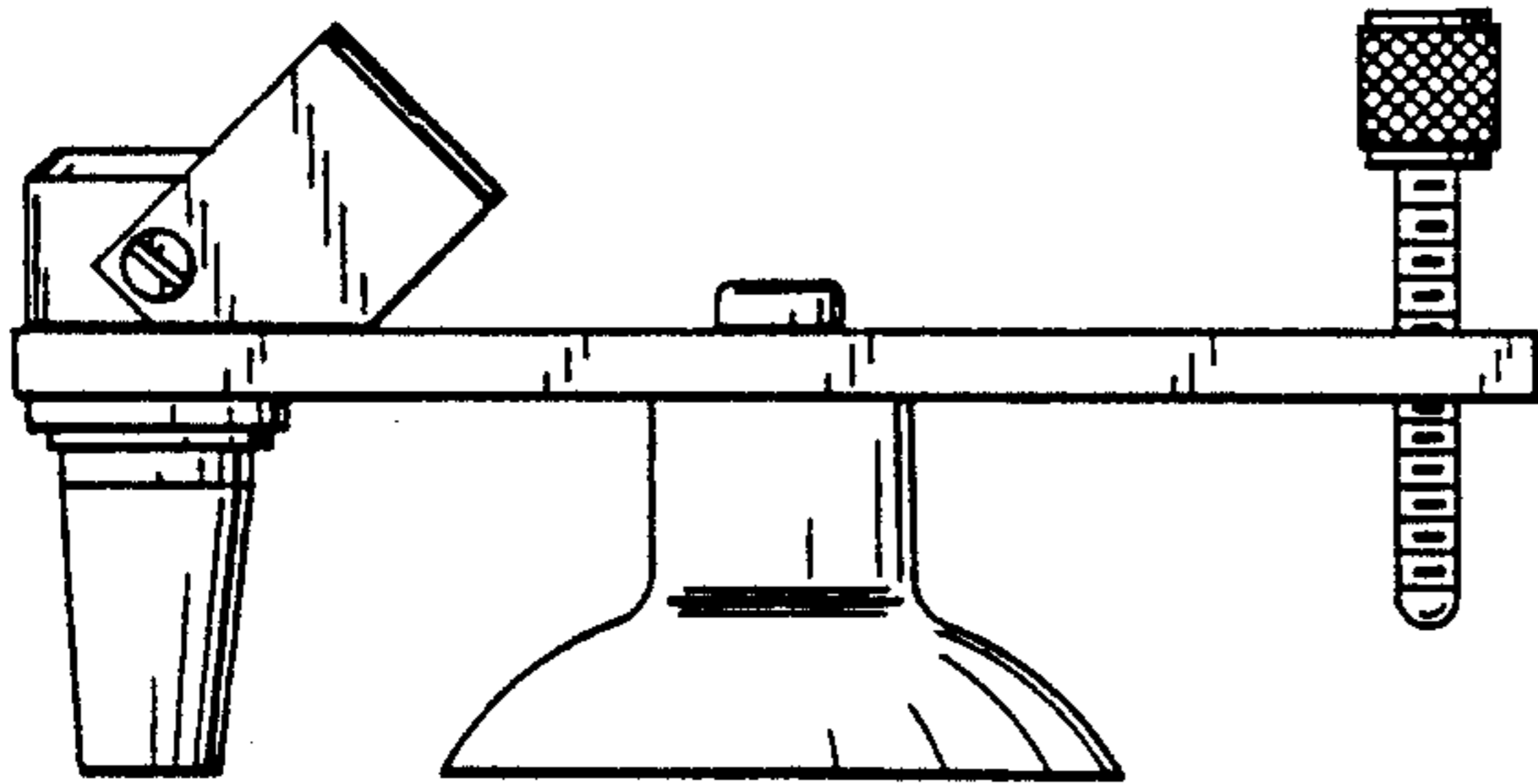


FIG. 1

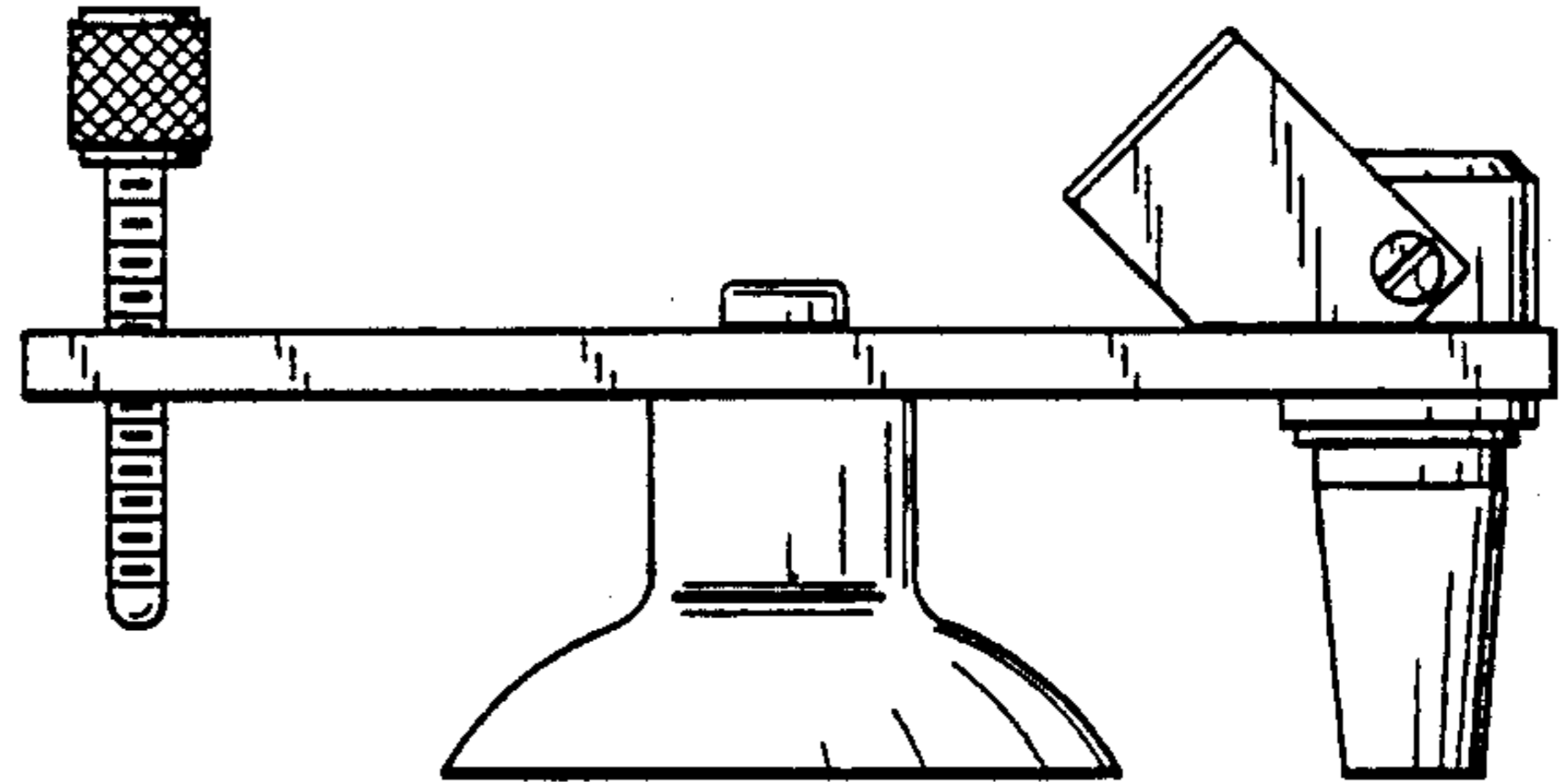


FIG. 2

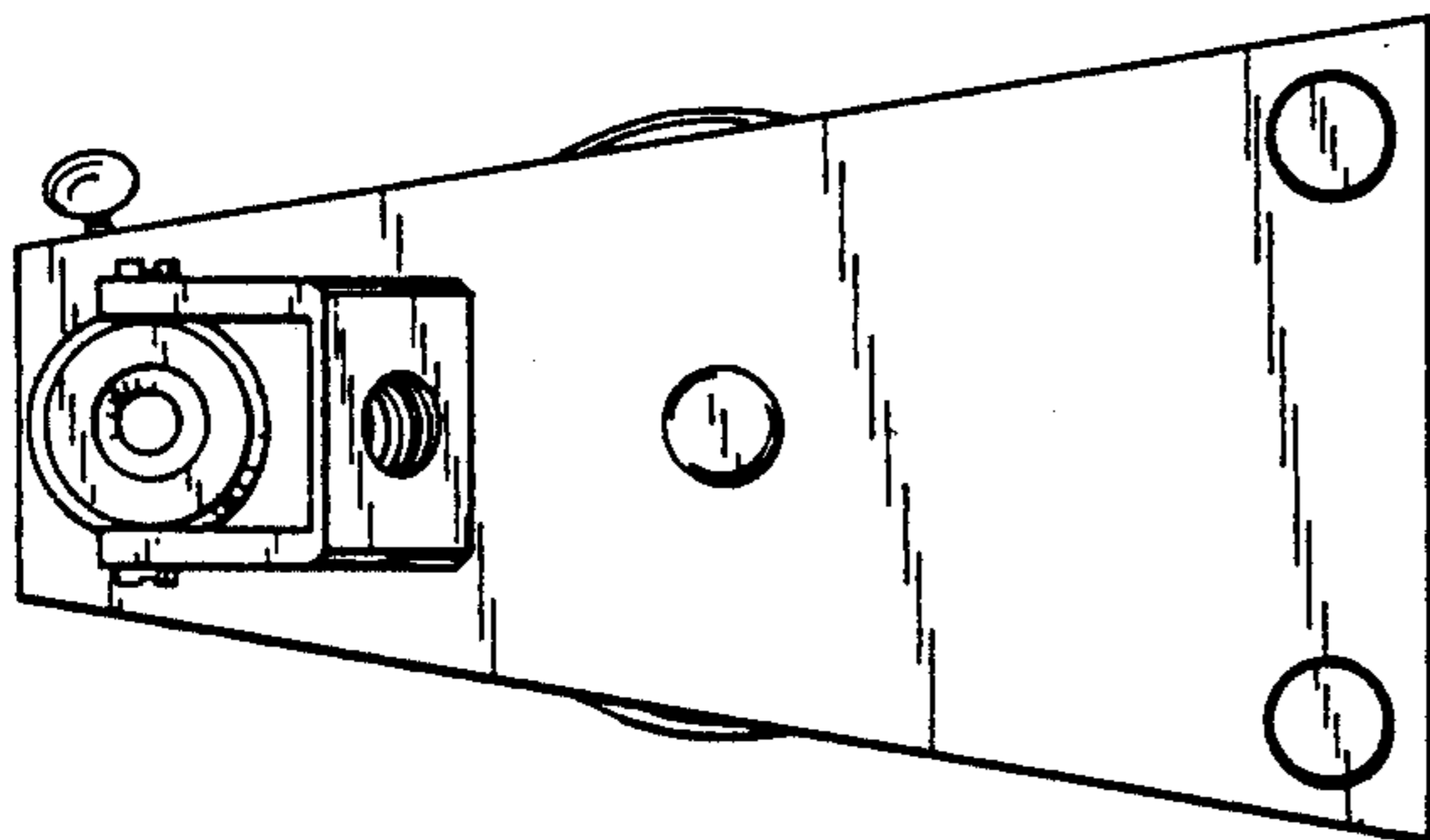


FIG. 3

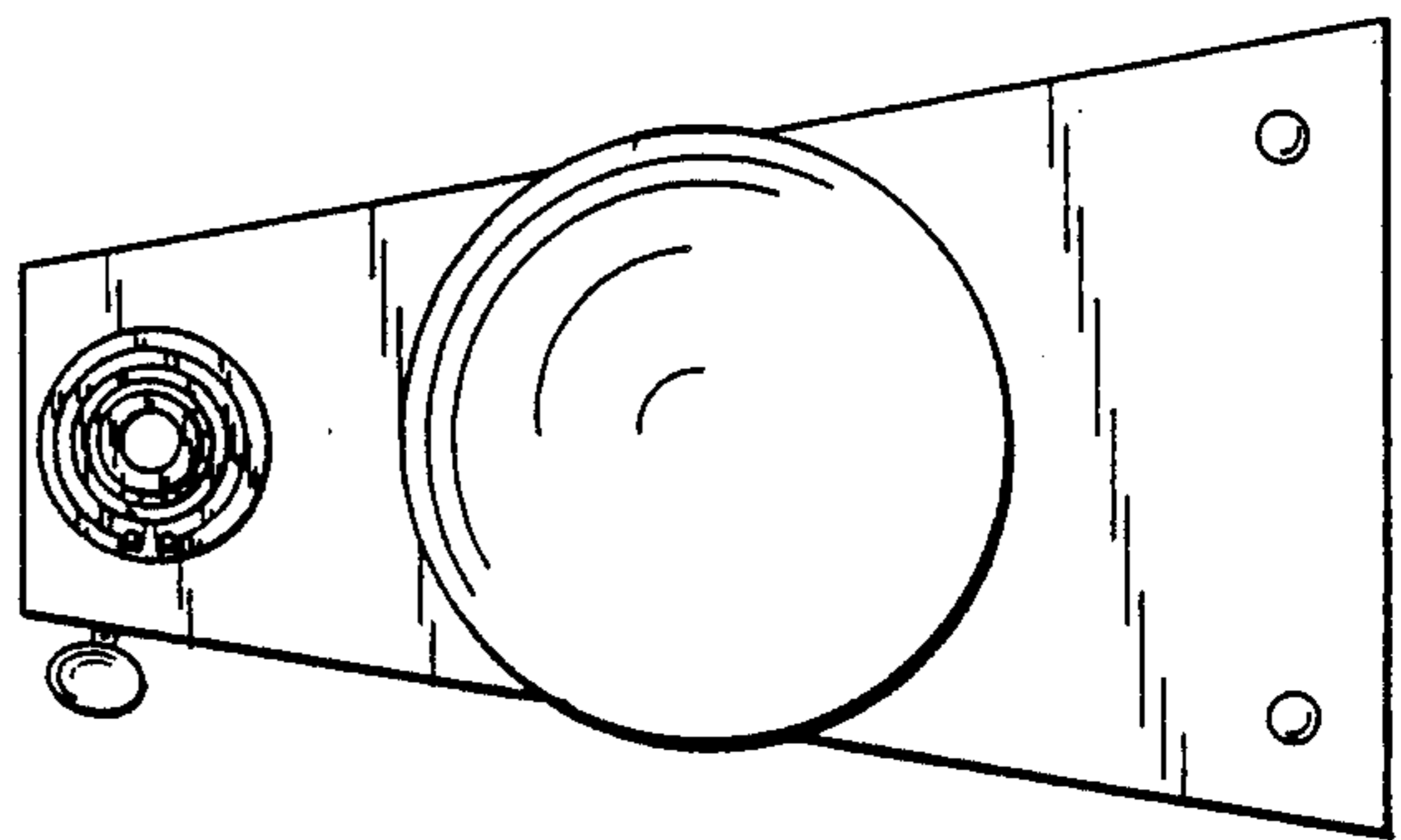


FIG. 4

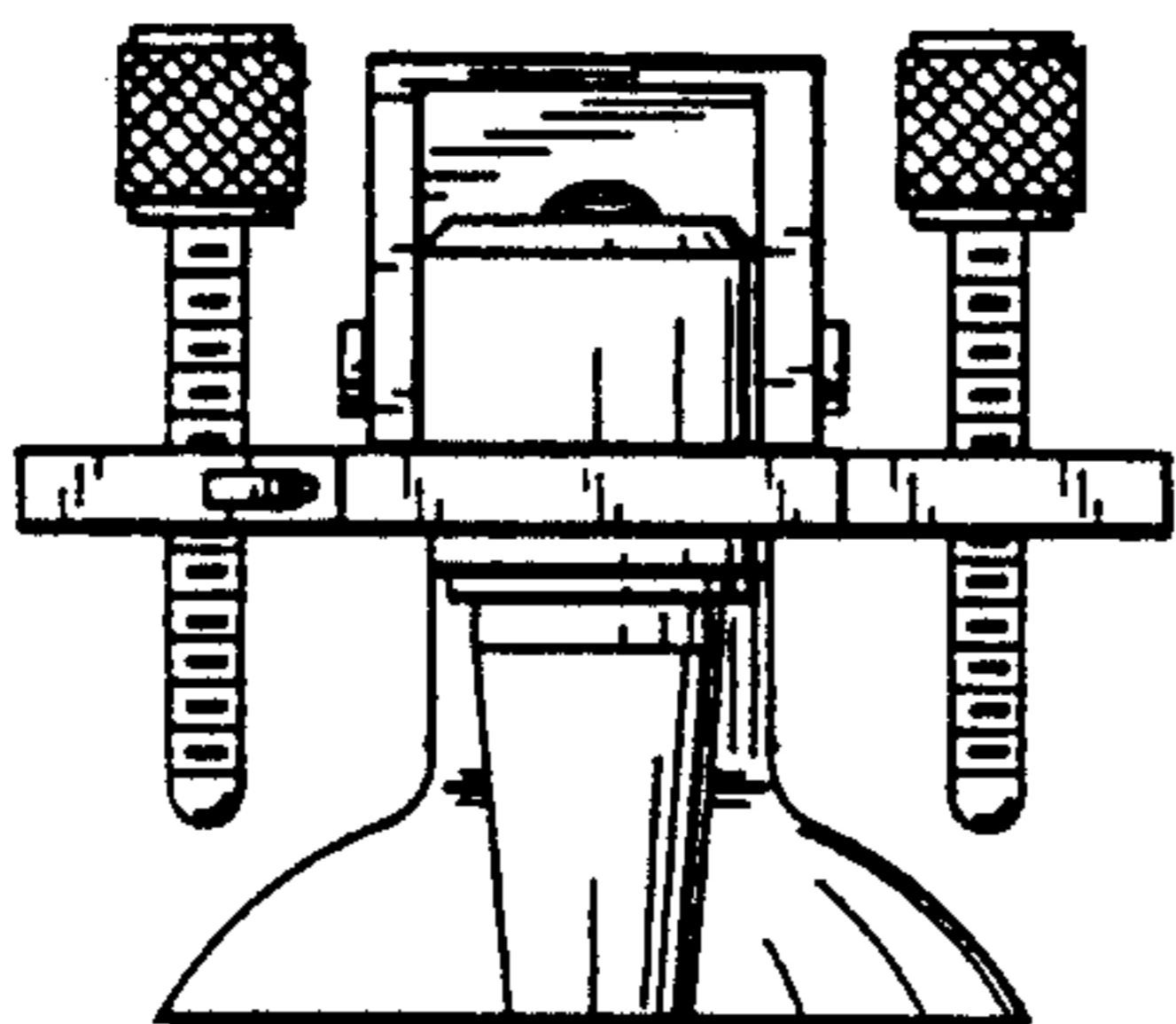


FIG. 5

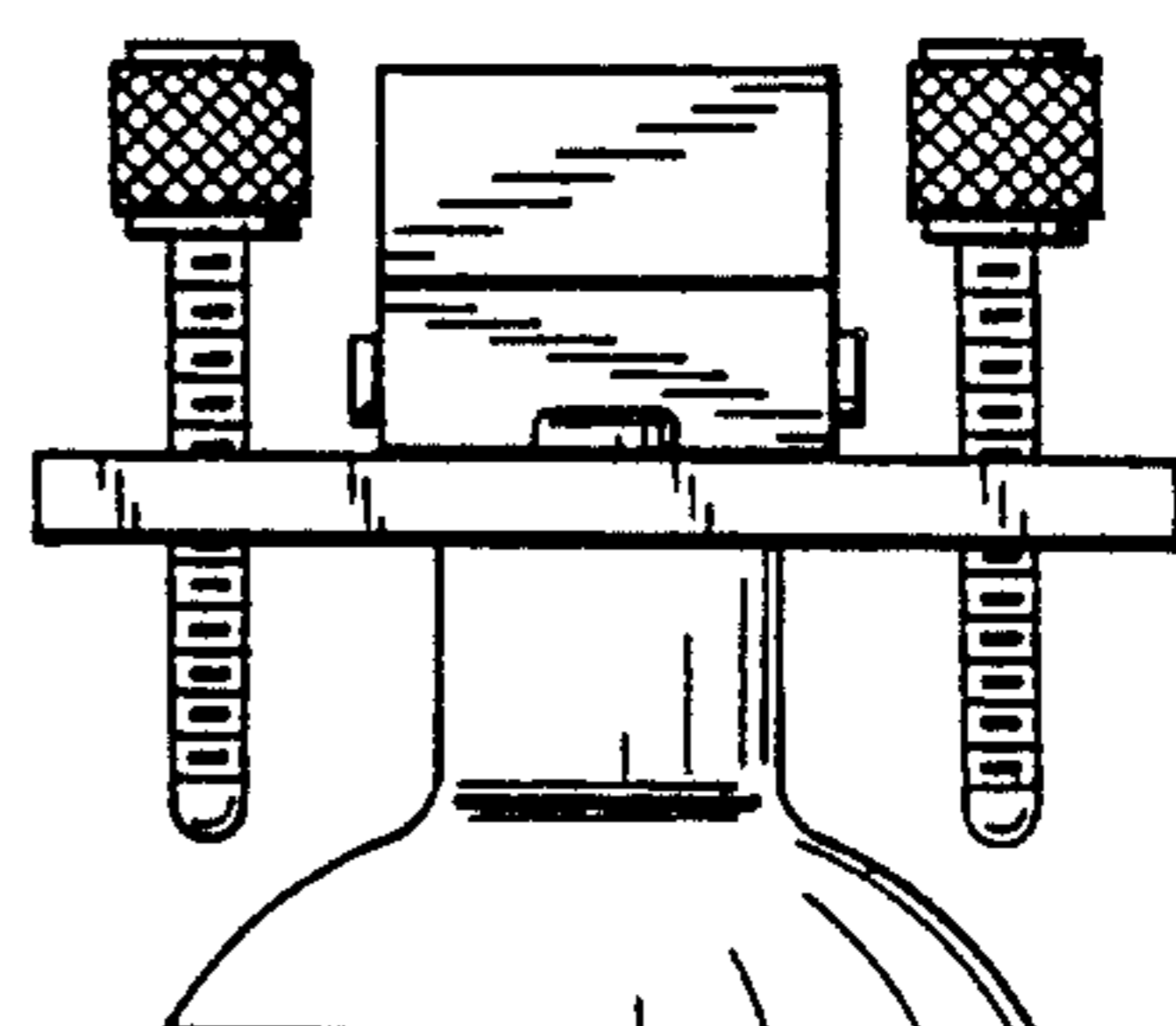


FIG. 6