

[54] PITA SANDWICH HOLDER

[75] Inventor: Chris Tomaras, Evanston, Ill.

[73] Assignee: Kronos - Central Products, Inc., Chicago, Ill.

[**] Term: 14 Years

[21] Appl. No.: 271,211

[22] Filed: Nov. 14, 1988

[52] U.S. Cl. D7/601; D1/105

[58] Field of Search D1/116, 128, 129, 120, D1/122, 121, 101; D7/504, 683, 602, 601, 392; 426/138, 283, 394, 112, 115

[56] References Cited

U.S. PATENT DOCUMENTS

3,845,897	11/1974	Buttery et al.	426/112	X
4,511,039	4/1985	Siemek	D7/601	X
4,608,259	8/1986	Cortopassi	426/115	

OTHER PUBLICATIONS

Food Processing Industry, Aug. 1971, p. 44; Food package on upper left side of page.

Restaurants & Institutions, Sep.-Oct. 1986 p. 69; Element A.

Primary Examiner—Wallace R. Burke

Assistant Examiner—Pamela J. Schmidt

Attorney, Agent, or Firm—Douglas W. Wyatt

[57] CLAIM

The ornamental design for pita sandwich holder, as shown and described.

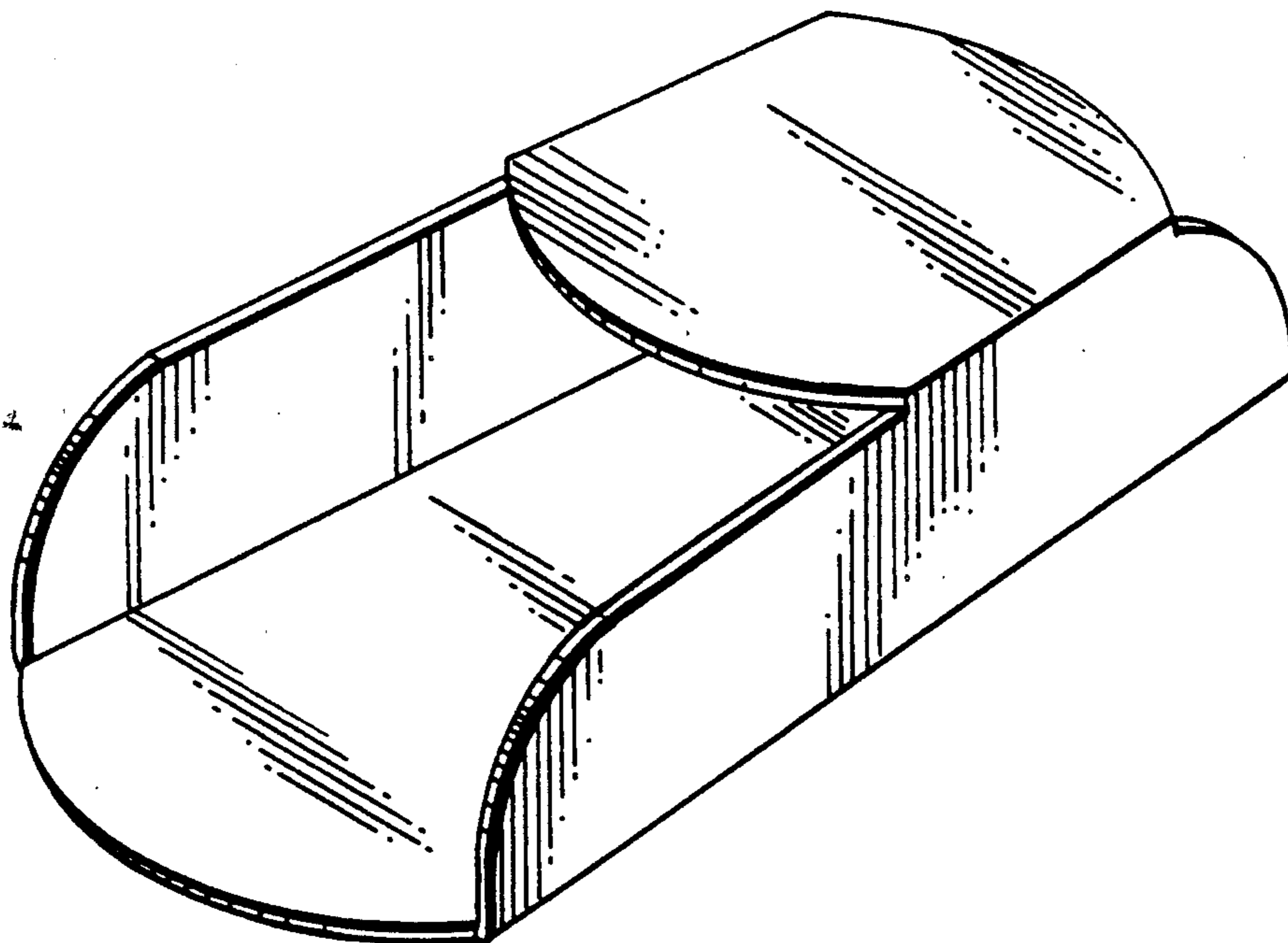
DESCRIPTION

FIG. 1 is a bottom plan view of a pita sandwich holder showing my new design;

FIG. 2 is a top plan view thereof;

FIG. 3 is a side elevational view thereof, the undisclosed side being the same; and

FIG. 4 is a top perspective view thereof.



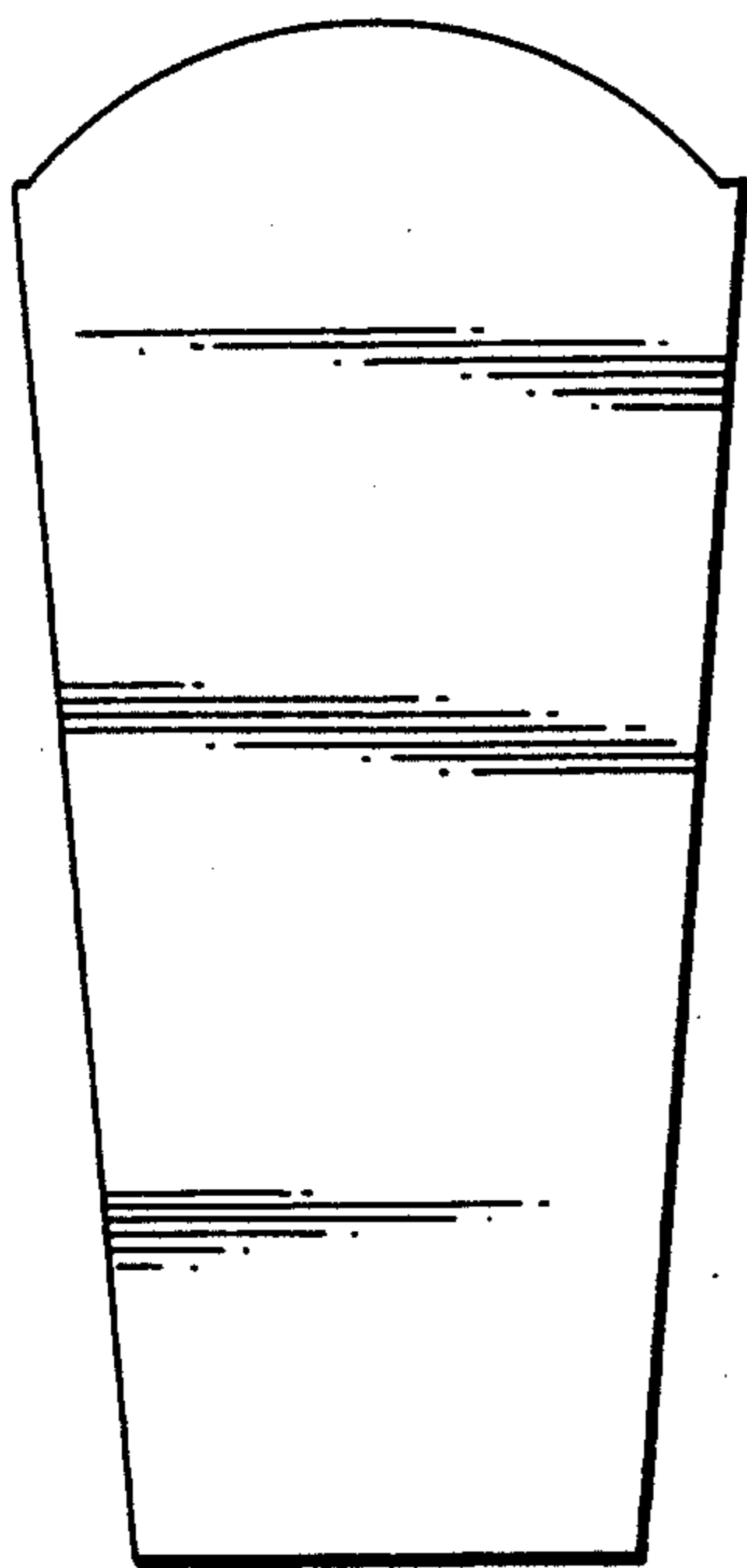


FIG. 1

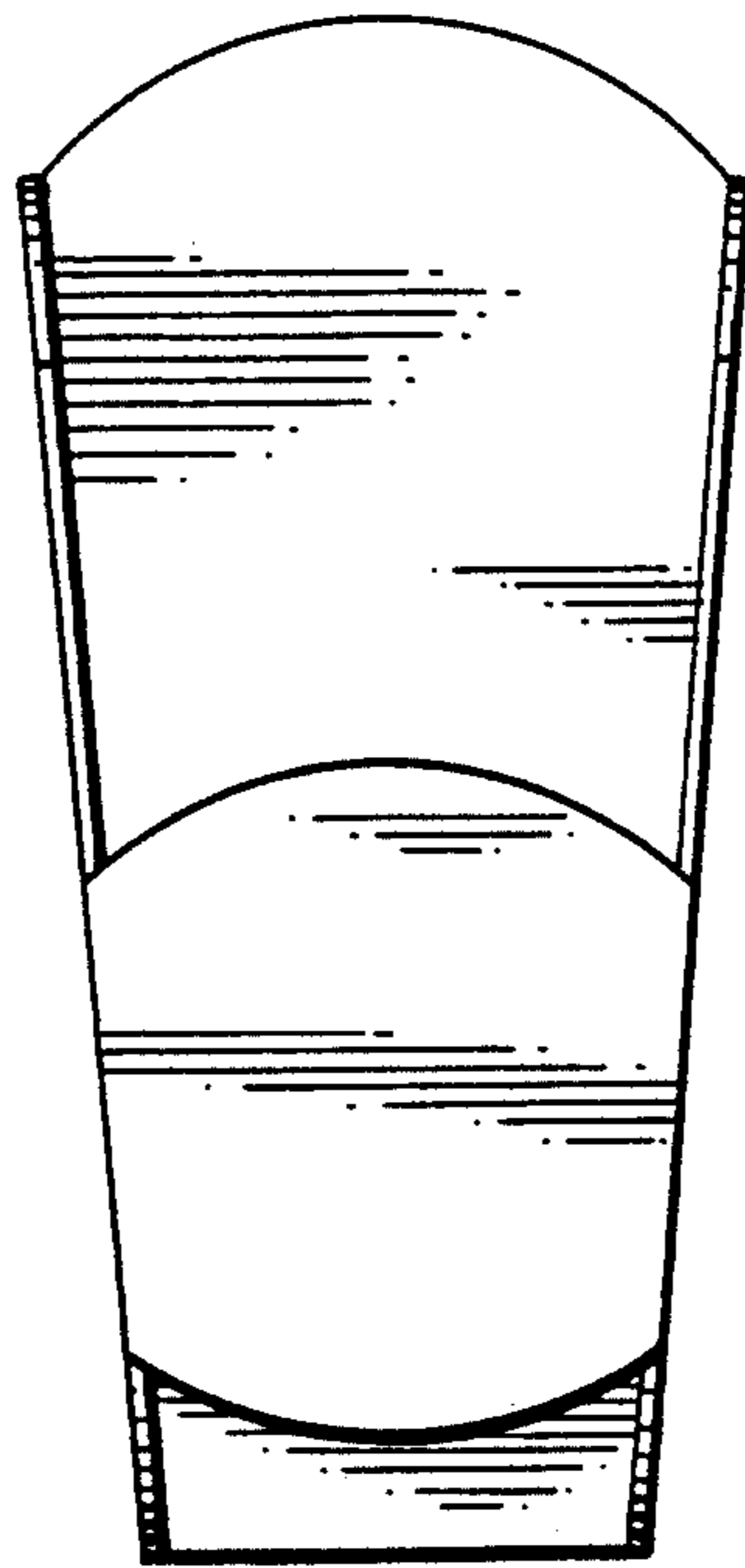


FIG. 2

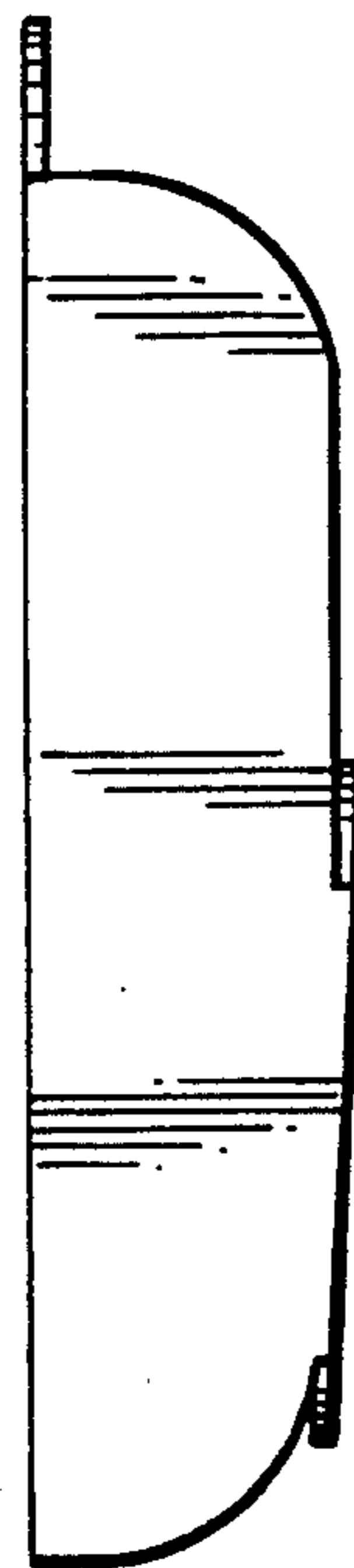


FIG. 3

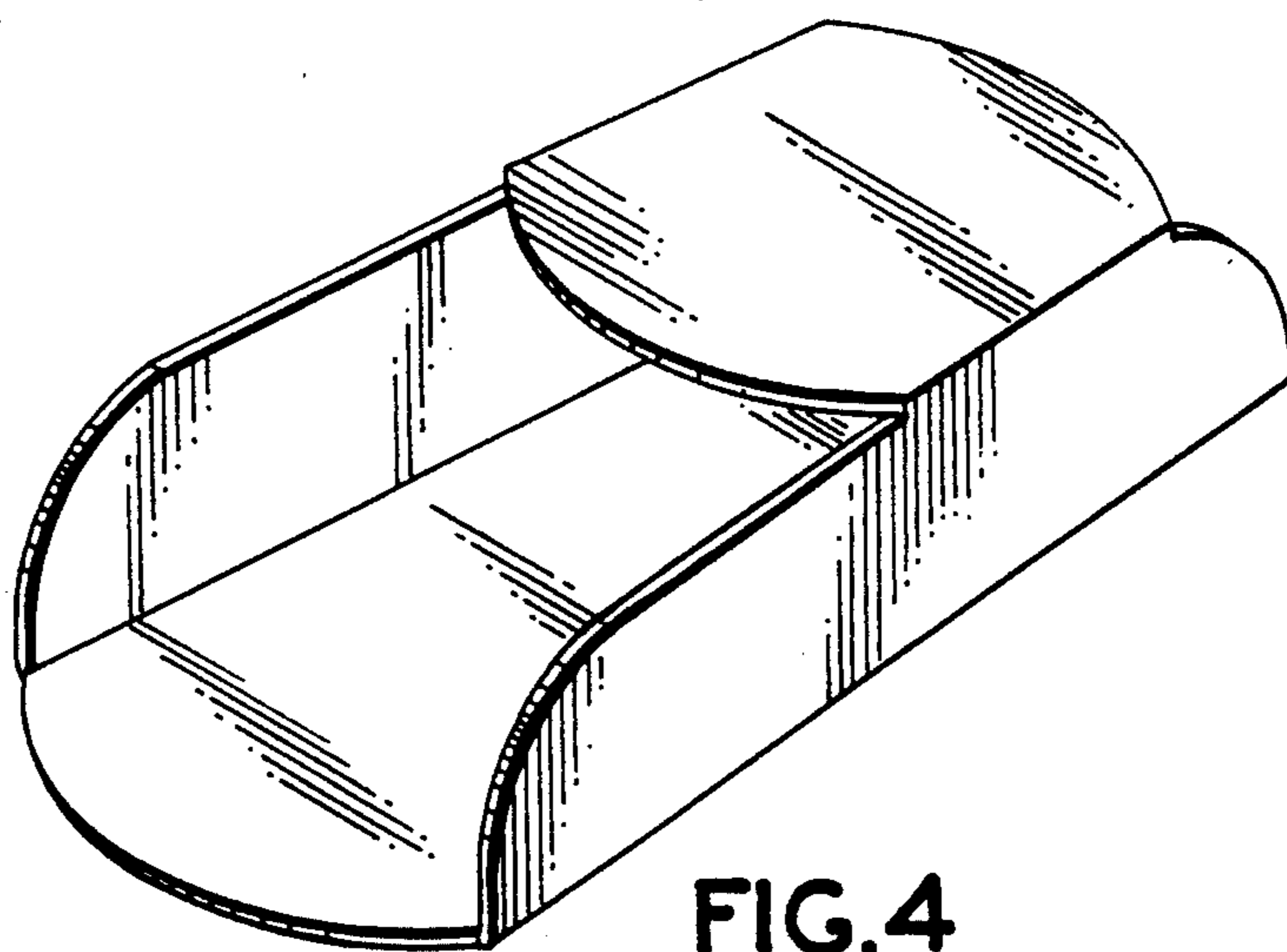


FIG. 4