

[54] **FOOTED DESSERT CUP**

[76] Inventor: **Elliott N. Zivin**, 8 Colony Rd.,
 Westport, Conn. 06880

[**] Term: **14 Years**

[21] Appl. No.: **929,145**

[22] Filed: **Nov. 7, 1986**

[52] U.S. Cl. **D7/558; D7/528**

[58] Field of Search **D7/22, 23, 11, 13, 3,**
D7/28, 17, 6; D9/350, 351, 396, 397

[56] **References Cited**

U.S. PATENT DOCUMENTS

D. 55,319	5/1920	Reaper	D7/555
D. 70,091	5/1926	Bell	D7/528
D. 72,162	3/1927	Loomis	D7/528
D. 74,712	3/1928	Beam	D7/558
D. 78,585	5/1929	Nock	D7/558
D. 83,494	3/1931	Bottome	D7/528
D. 87,932	10/1932	McCartney	D7/528
D. 160,843	11/1950	Cone	D7/537

OTHER PUBLICATIONS

Anchor Hocking Glass Corporation 1939 Catalog, cover page and pages 14+15.
Empire Trading Company 1938 Catalog, cover page and 5 un-numbered pages.
 The Hocking Glass Co. Engineering Drawings (23) dated 1937.

Primary Examiner—Winifred E. Herrmann
Attorney, Agent, or Firm—Edward J. Chalfie

[57] **CLAIM**

The ornamental design for a footed dessert cut, as shown and described.

DESCRIPTION

FIG. 1 is a top perspective view of a footed dessert cup showing my new design;
 FIG. 2 is a side elevational view thereof with all sides being identical to the side shown;
 FIG. 3 is a sectional view thereof taken along line 3—3 of FIG. 2;
 FIG. 4 is a bottom plan view thereof; and
 FIG. 5 is a top plan view thereof.

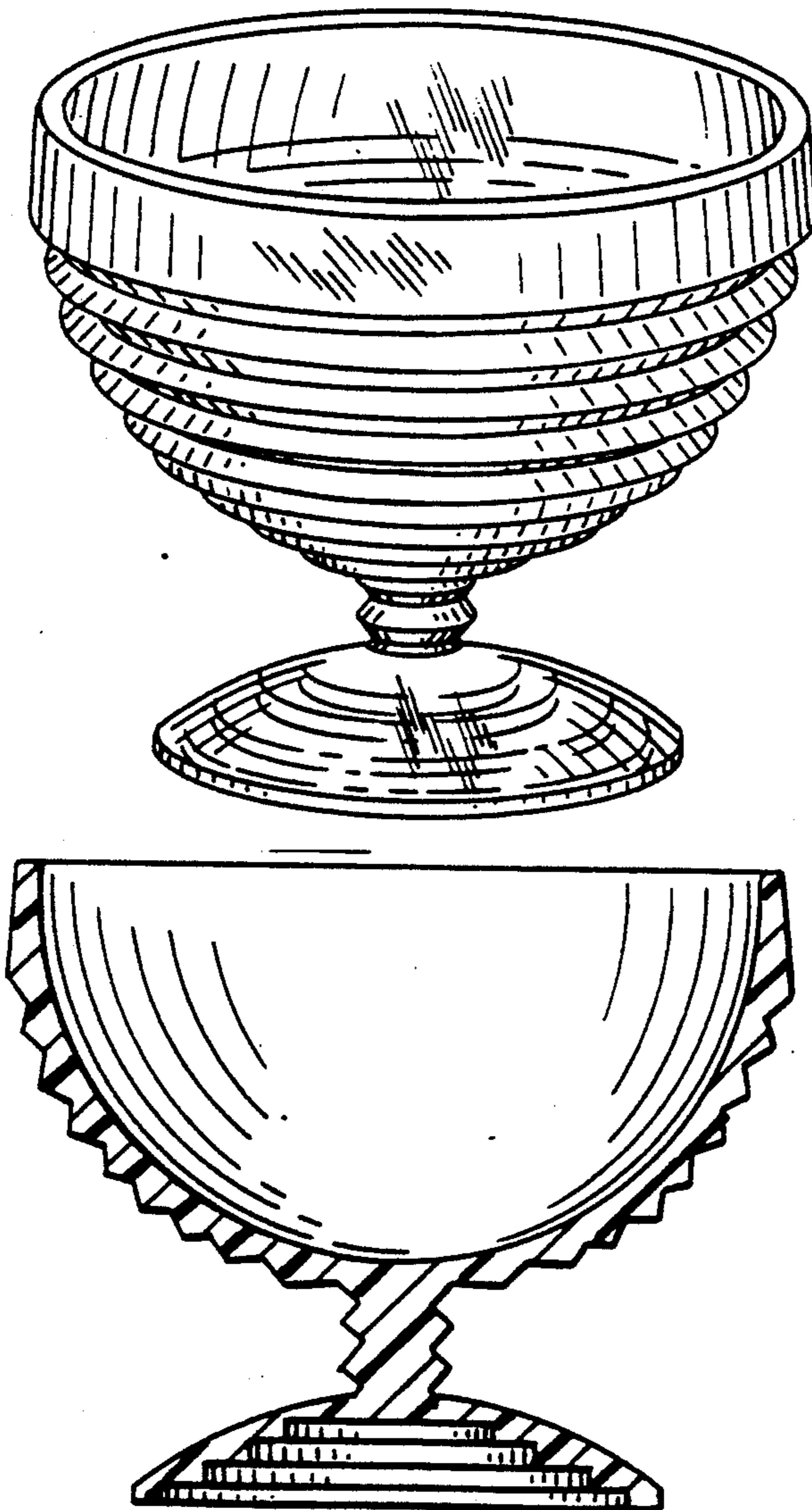


FIG-1

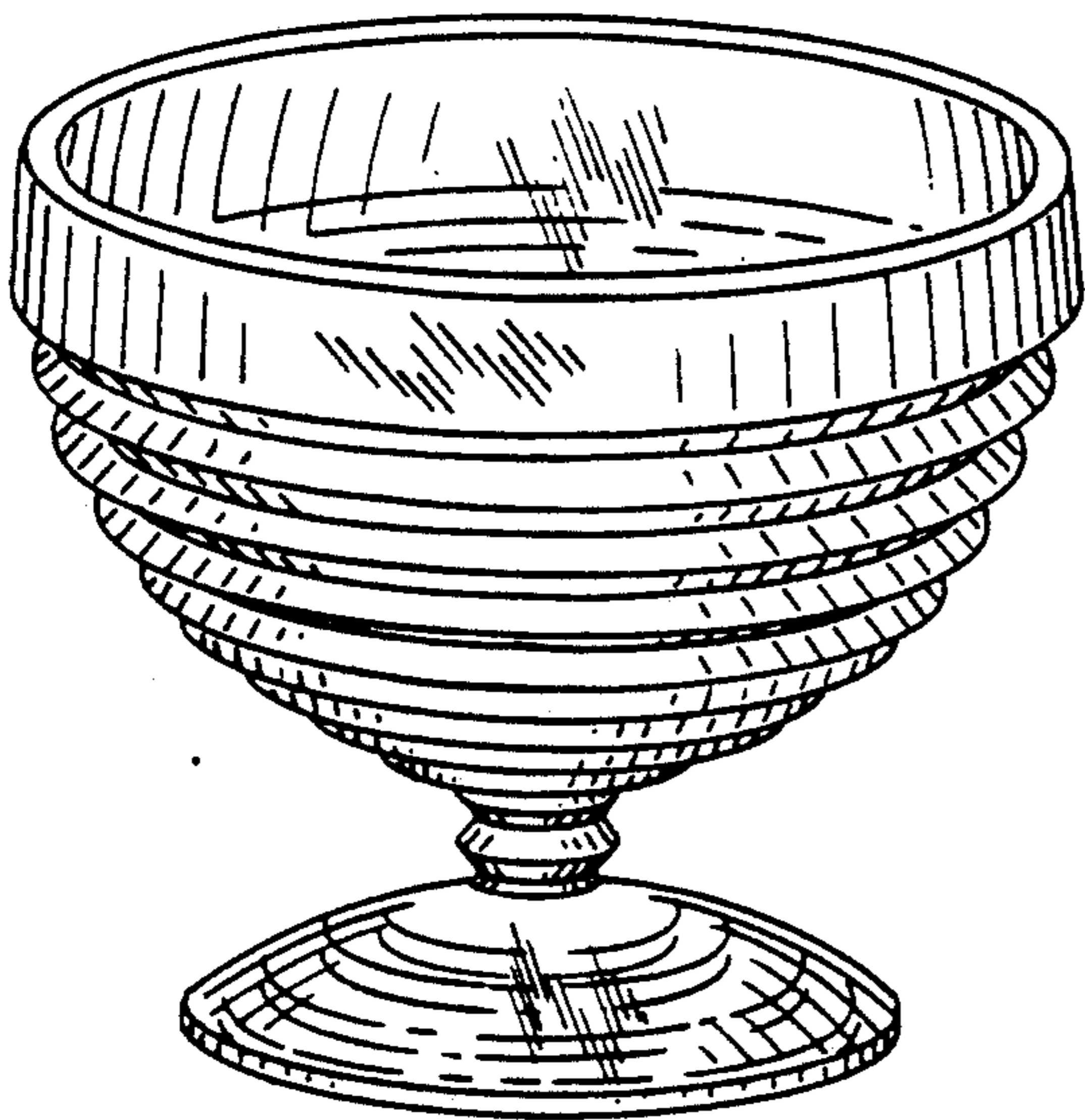


FIG-2

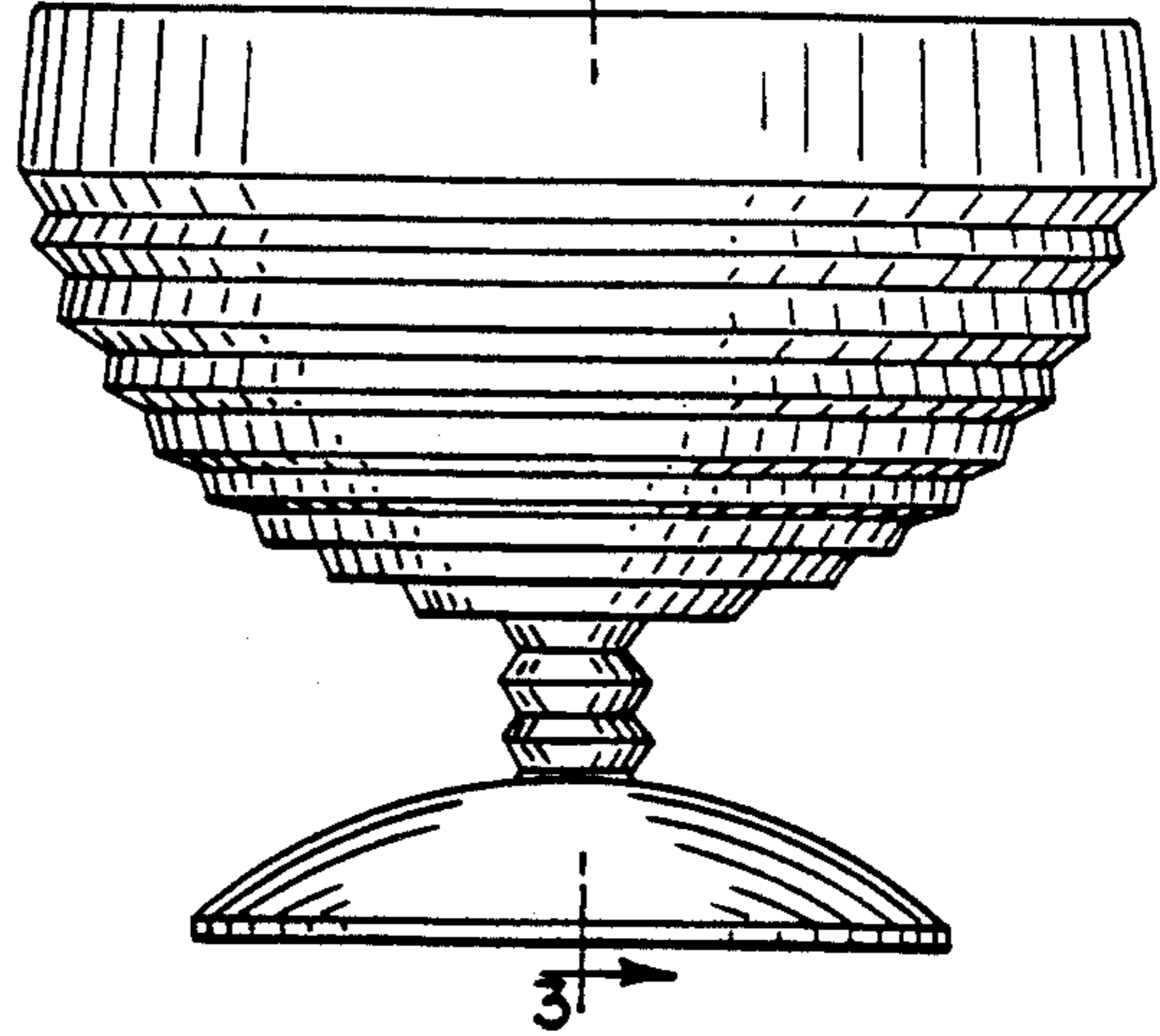


FIG-3

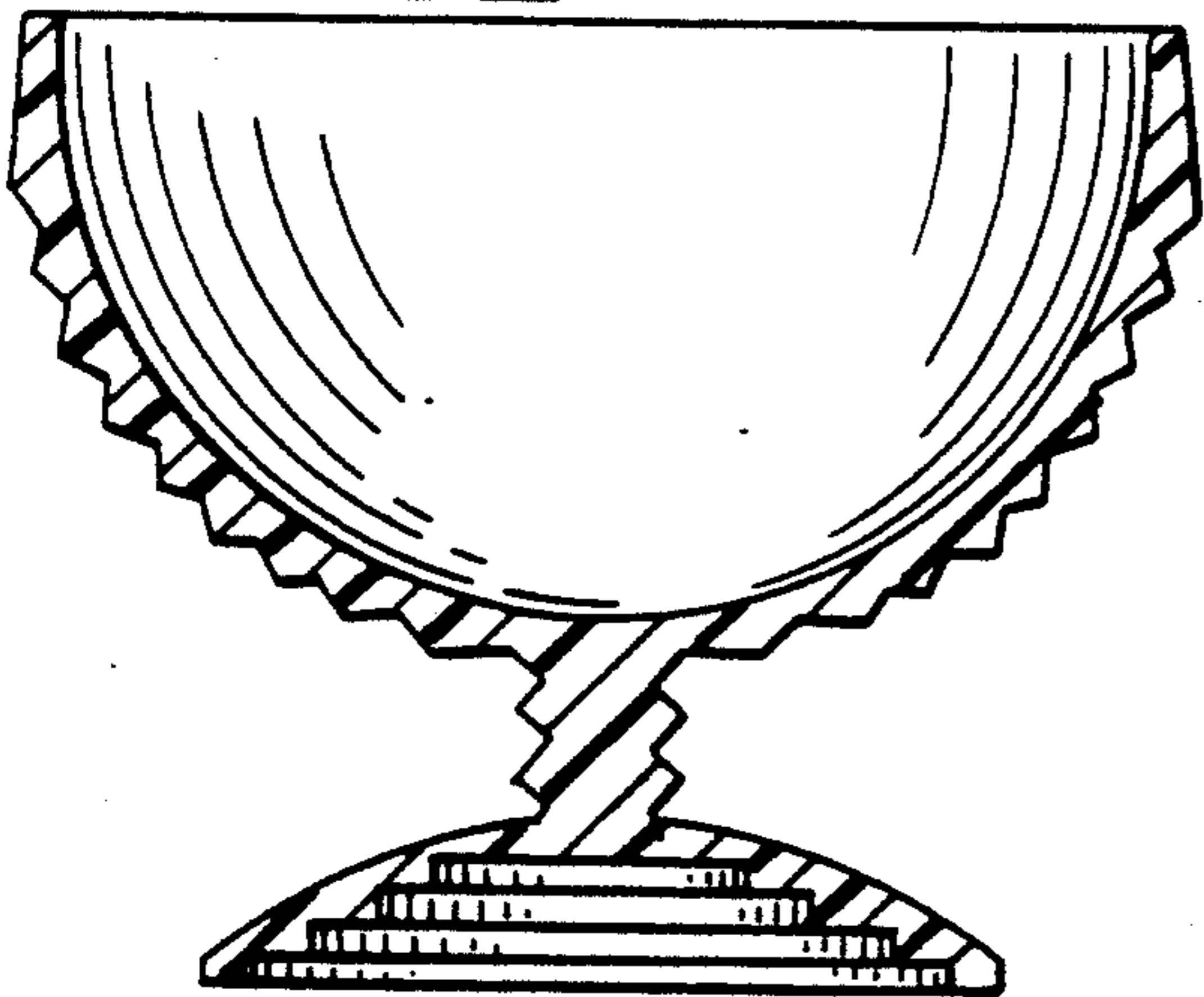


FIG-4

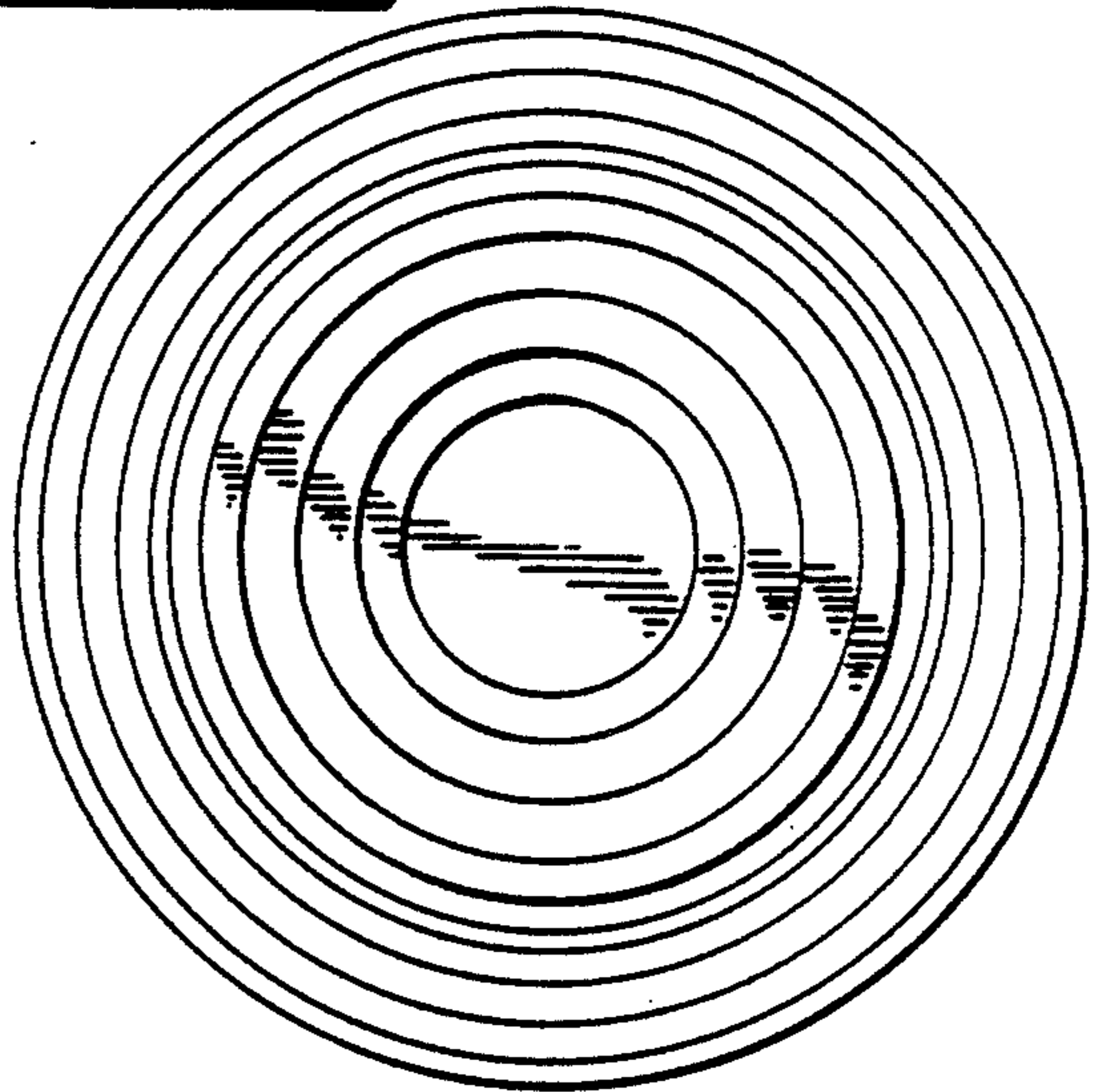


FIG-5

