

United States Patent [19]

Brunner

[11] **Patent Number: Des. 314,885**

[45] **Date of Patent: ** Feb. 26, 1991**

[54] **SERVING TRAY OR THE LIKE**

[76] **Inventor: Donald A. Brunner, 2073 Kratz Station Rd., Harleysville, Pa. 19438**

[**] **Term: 14 Years**

[21] **Appl. No.: 164,625**

[22] **Filed: Mar. 7, 1988**

[52] **U.S. Cl. D7/554; D7/555; D9/347**

[58] **Field of Search D7/554, 553, 555, 546, D7/549; D9/341, 347**

[56] **References Cited**

U.S. PATENT DOCUMENTS

D. 3,016 5/1868 Savournin D9/347

D. 55,218 5/1920 Torgeson D7/555
D. 248,712 8/1978 Guibert D7/554 X
D. 250,880 1/1979 Stone et al. D7/554 X

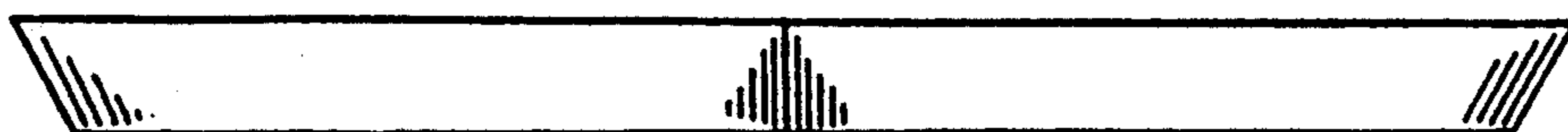
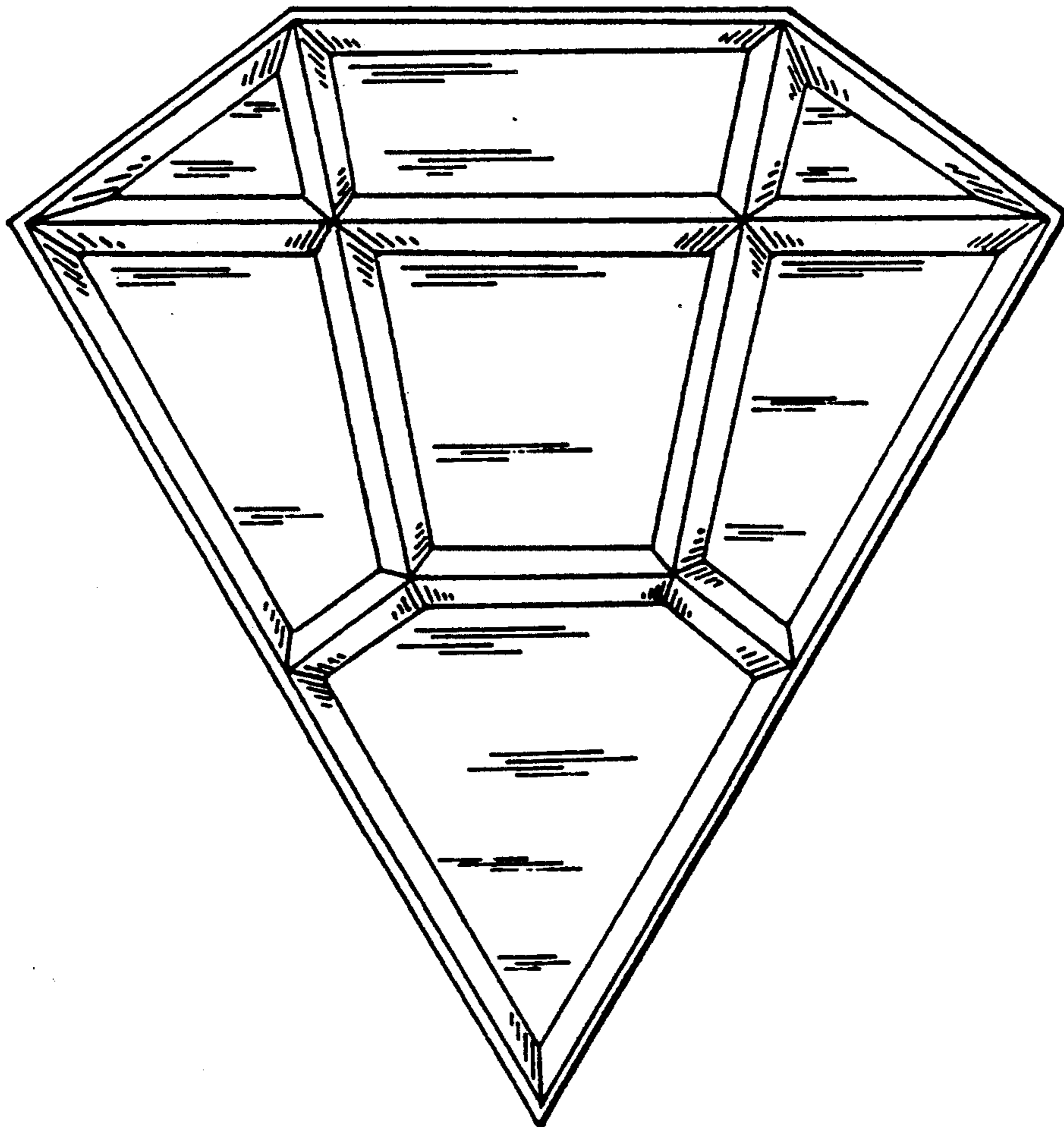
Primary Examiner—Winifred E. Herrmann

[57] **CLAIM**

The ornamental design for a serving tray or the like, as shown and described.

DESCRIPTION

FIG. 1 is a top perspective view of a serving tray or the like showing my new design;
FIG. 2 is a bottom plan view thereof;
FIG. 3 is a rear elevational view thereof;
FIG. 4 is a top plan view thereof;
FIG. 5 is a left side elevational view thereof;
FIG. 6 is a right side elevational view thereof; and
FIG. 7 is a front elevational view thereof.



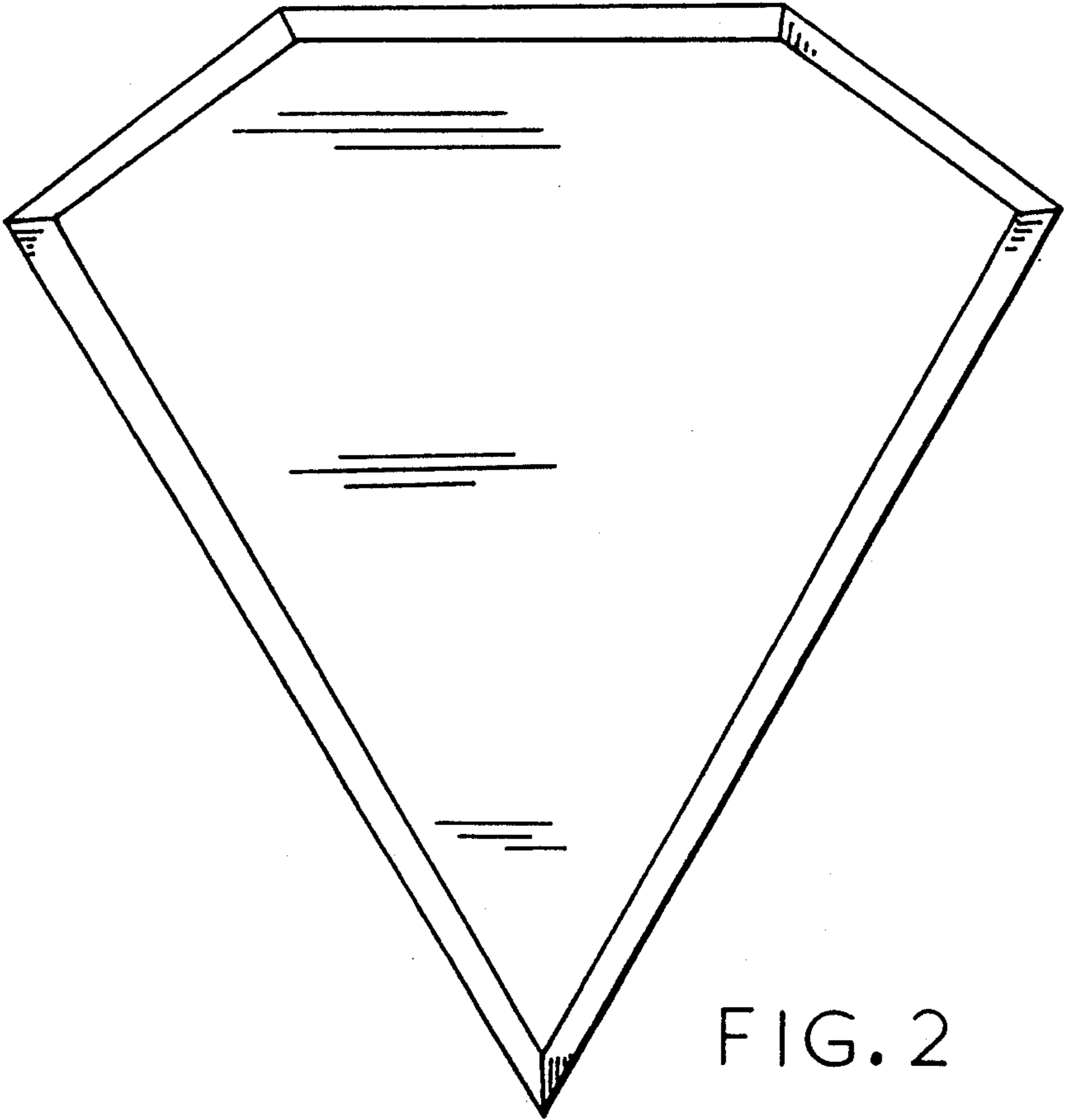
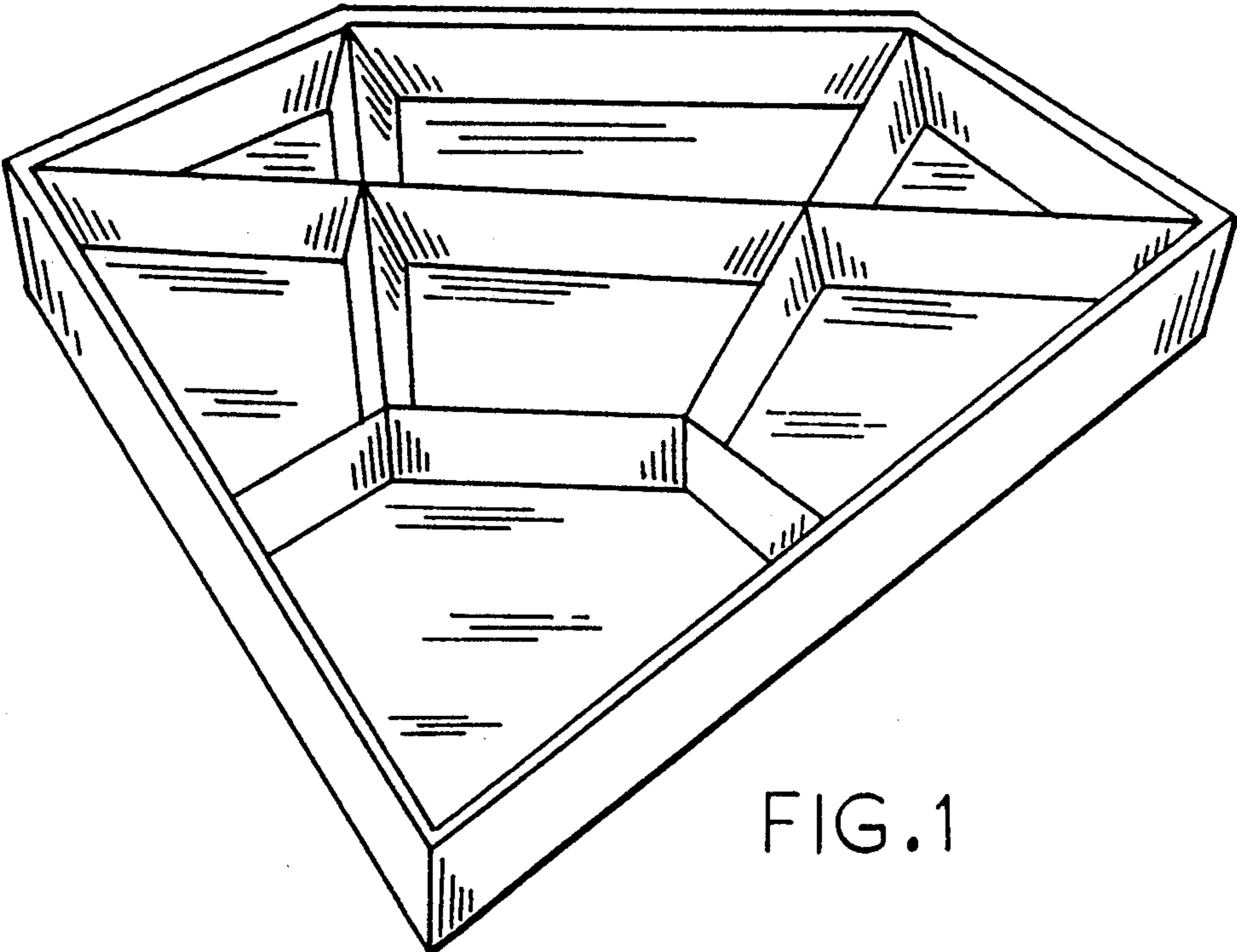




FIG. 3

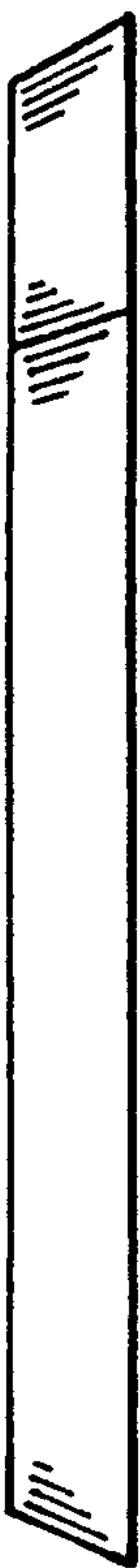


FIG. 5

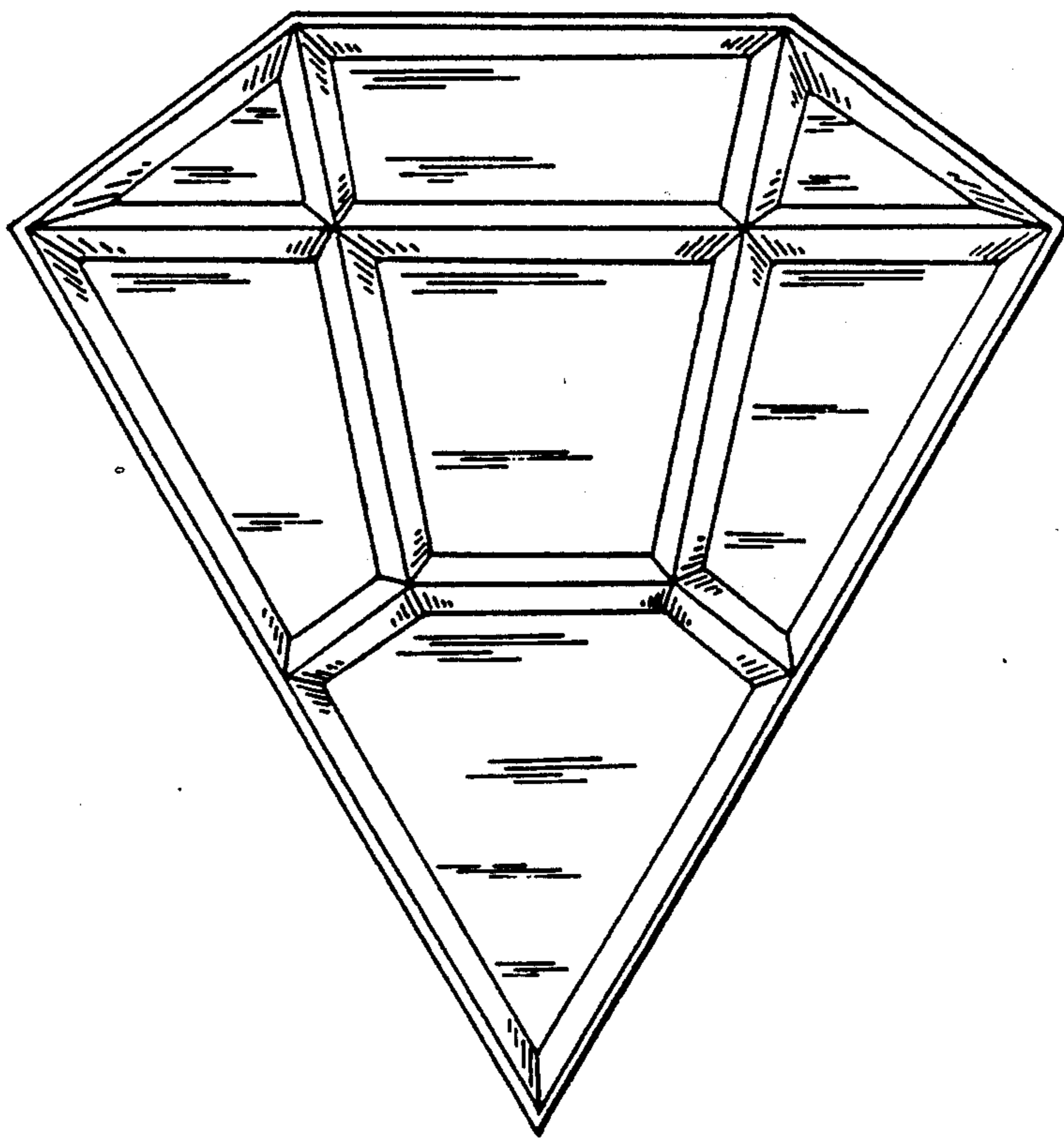


FIG. 4



FIG. 6

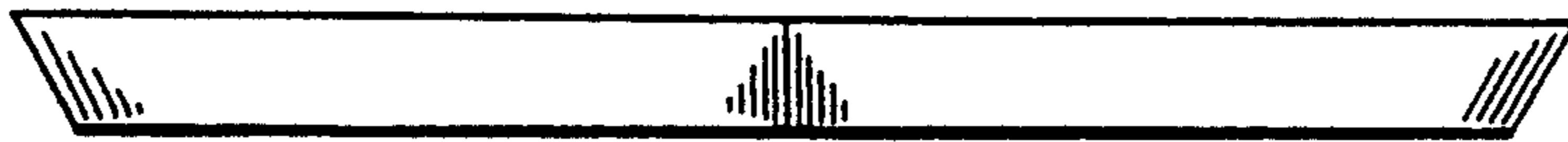


FIG. 7