

[54] BARBEQUE GRILL

[76] Inventor: James A. Bethel, Jr., 355 Possum Ct., Capitol Heights, Md. 20743

[**] Term: 14 Years

[21] Appl. No.: 257,783

[22] Filed: Oct. 14, 1988

[52] U.S. Cl. D7/334

[58] Field of Search D7/331-332, D7/334-337; 126/25 R, 25 A, 25 B, 29-30, 26, 38, 9 R, 41 R

[56] References Cited

U.S. PATENT DOCUMENTS

- D. 196,996 11/1963 Kates D7/334
- D. 206,738 1/1967 Wilkinson D7/334

- D. 208,179 7/1967 King et al. D7/334
- D. 219,629 12/1970 Koziol D7/334
- D. 270,606 9/1983 McCrary et al. D7/334

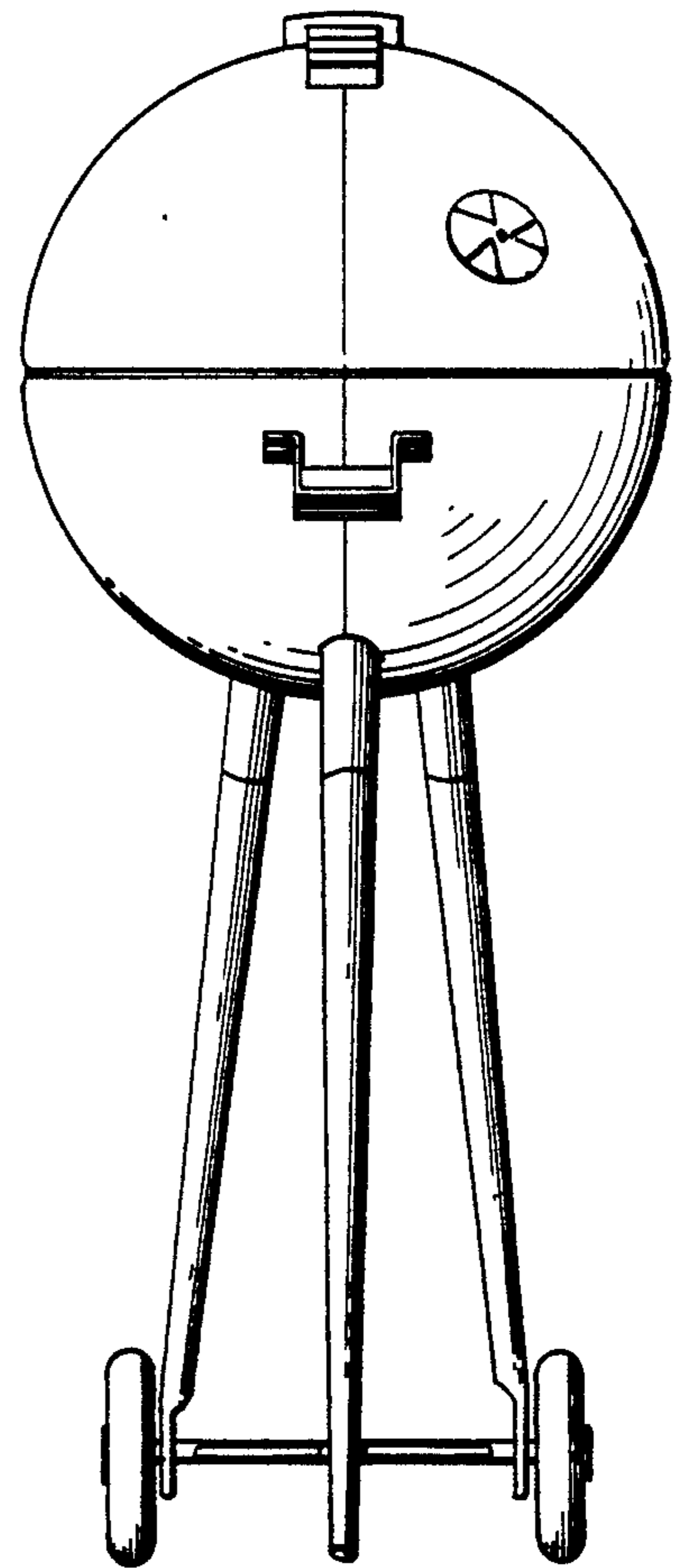
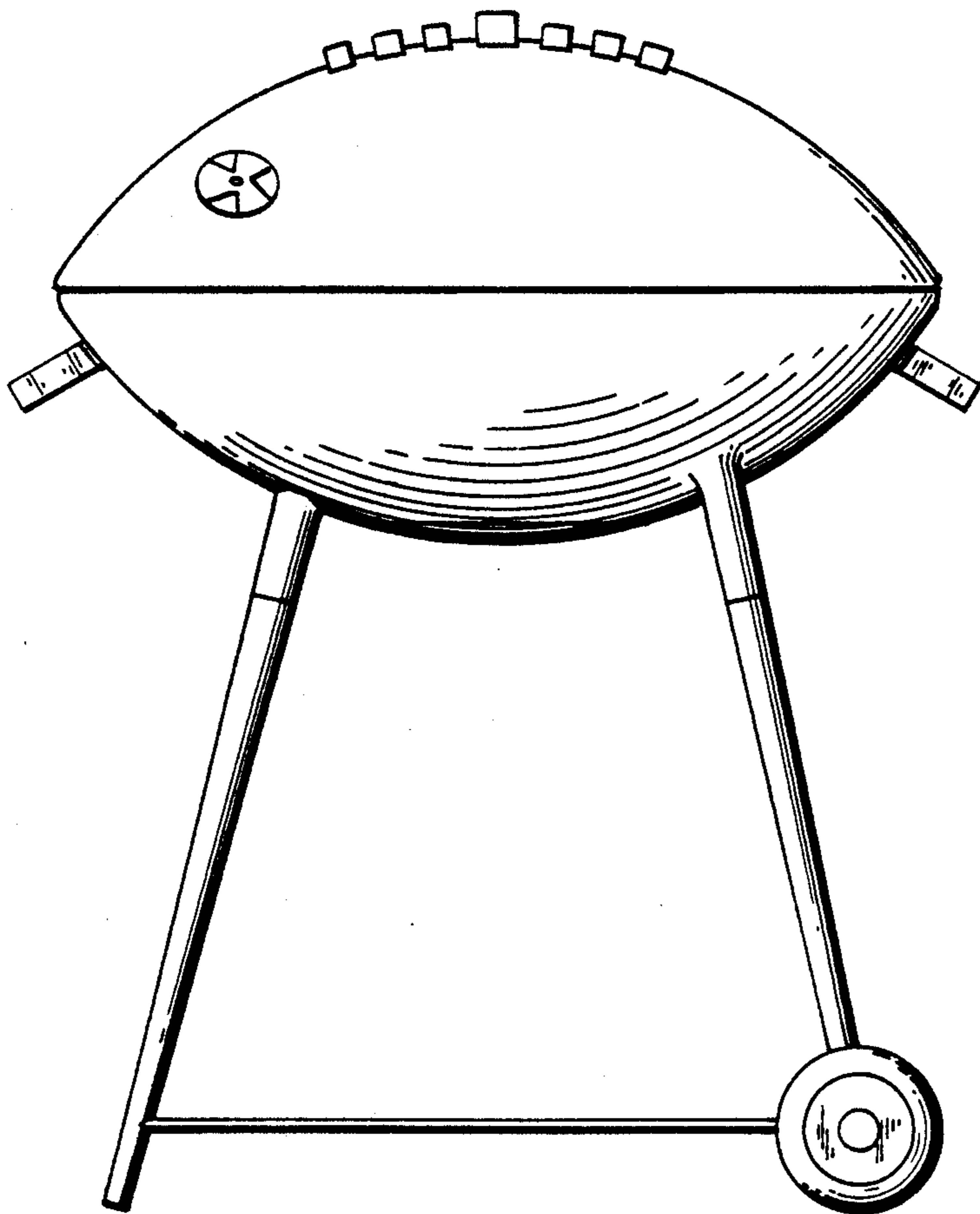
Primary Examiner—A. Hugo Word
Assistant Examiner—Ruth McInroy

[57] CLAIM

The ornamental design for a barbeque grill, as shown and described.

DESCRIPTION

FIG. 1 is a left side elevational view of a barbeque grill showing my new design;
 FIG. 2 is a top plan view thereof;
 FIG. 3 is a front elevational view thereof;
 FIG. 4 is a rear elevational view thereof;
 FIG. 5 is a right side elevational view thereof; and
 FIG. 6 is a bottom plan view thereof.



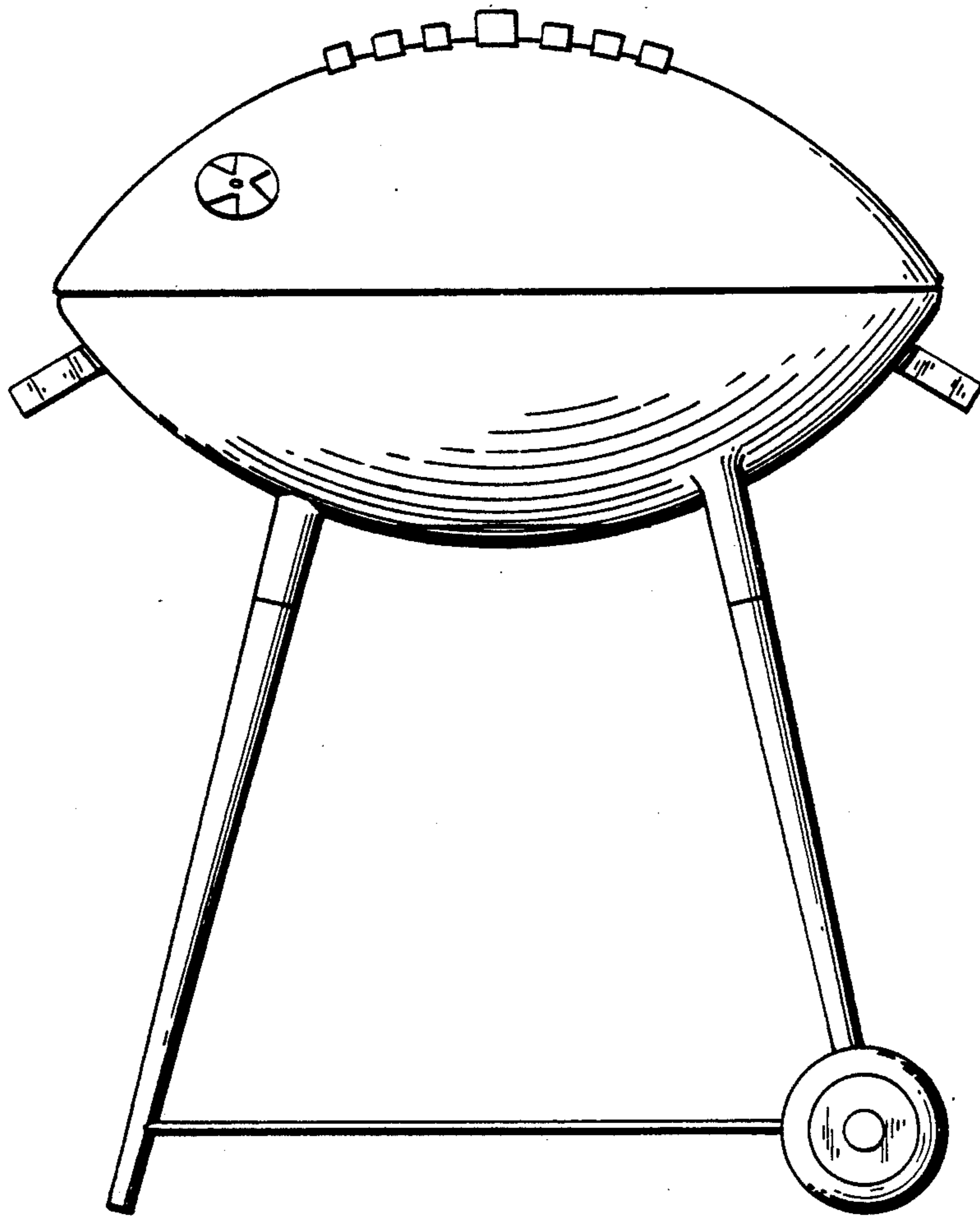


FIG. 1

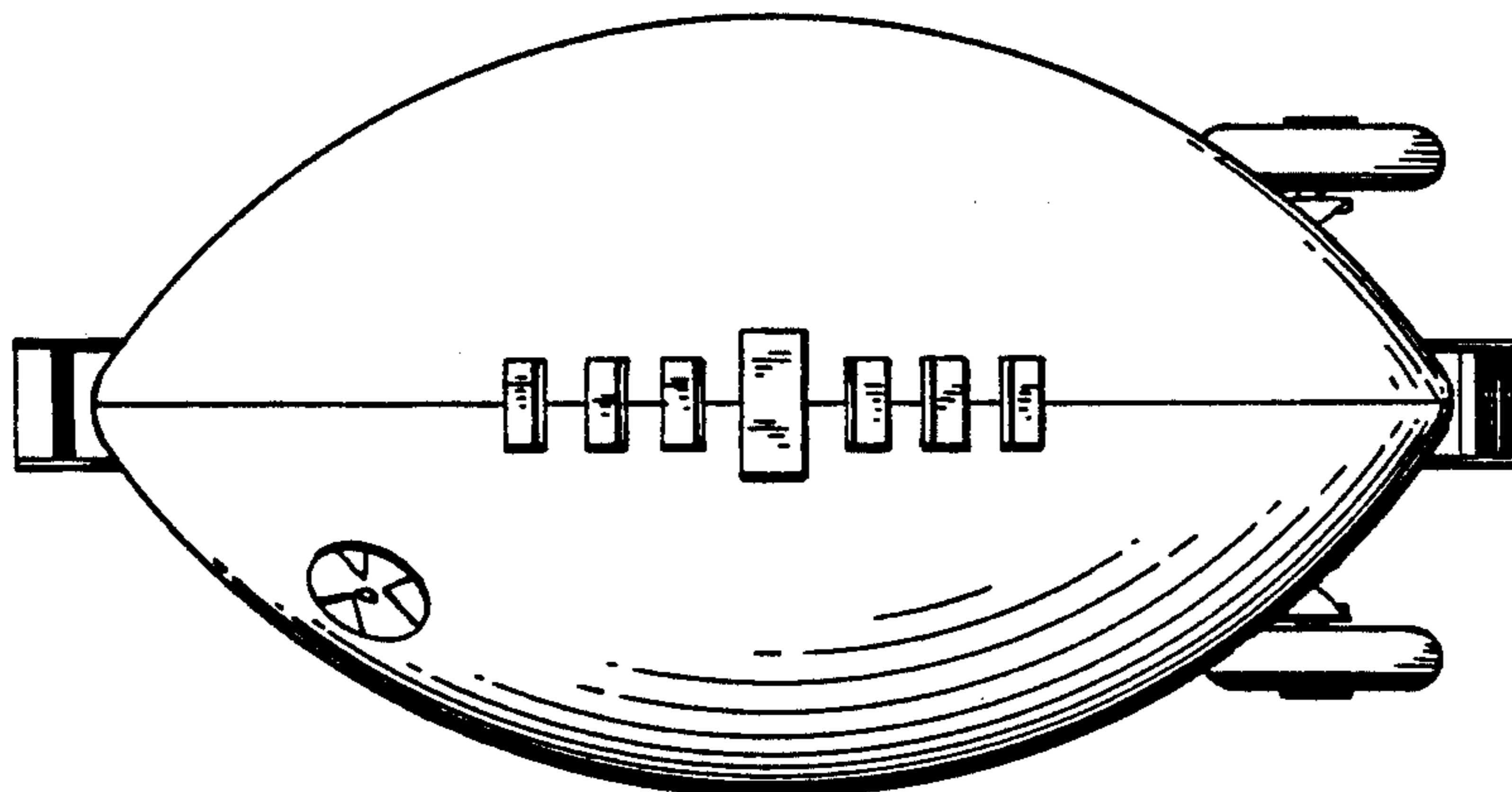


FIG. 2

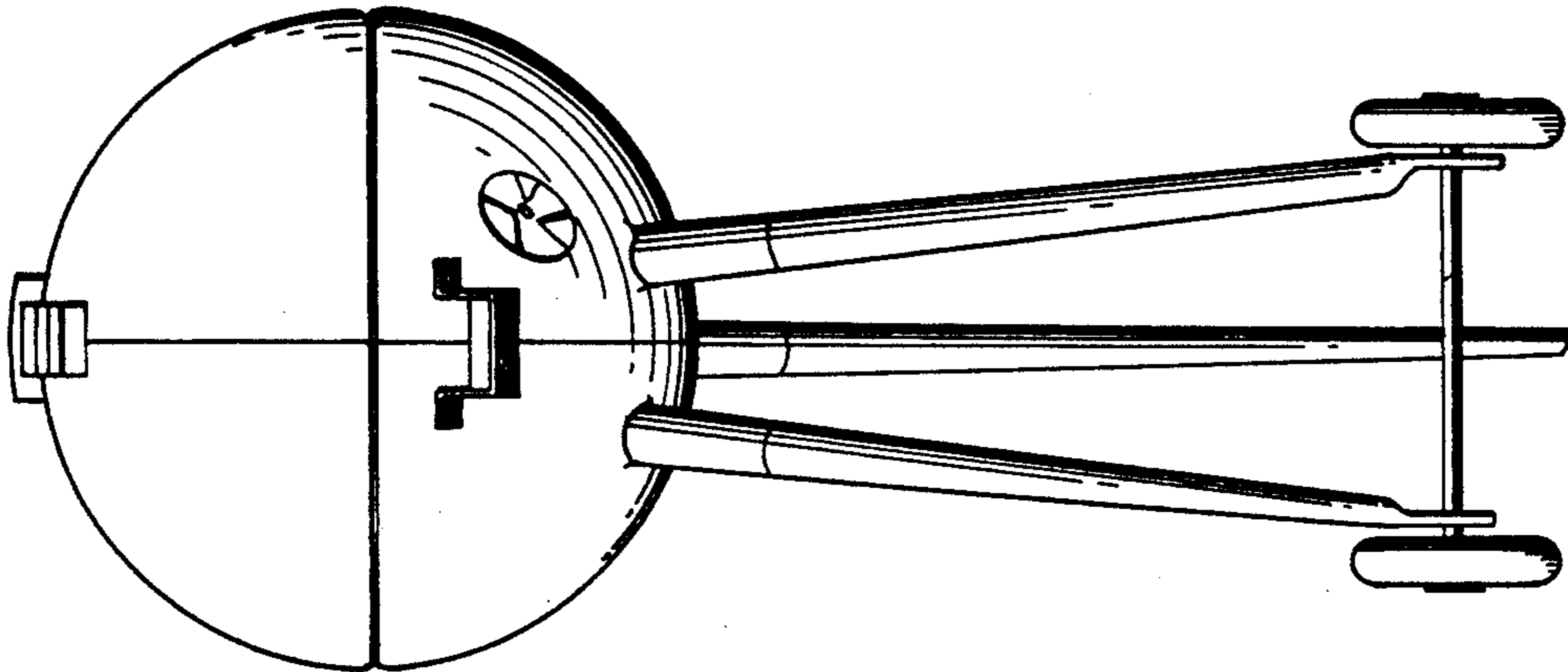


FIG. 4

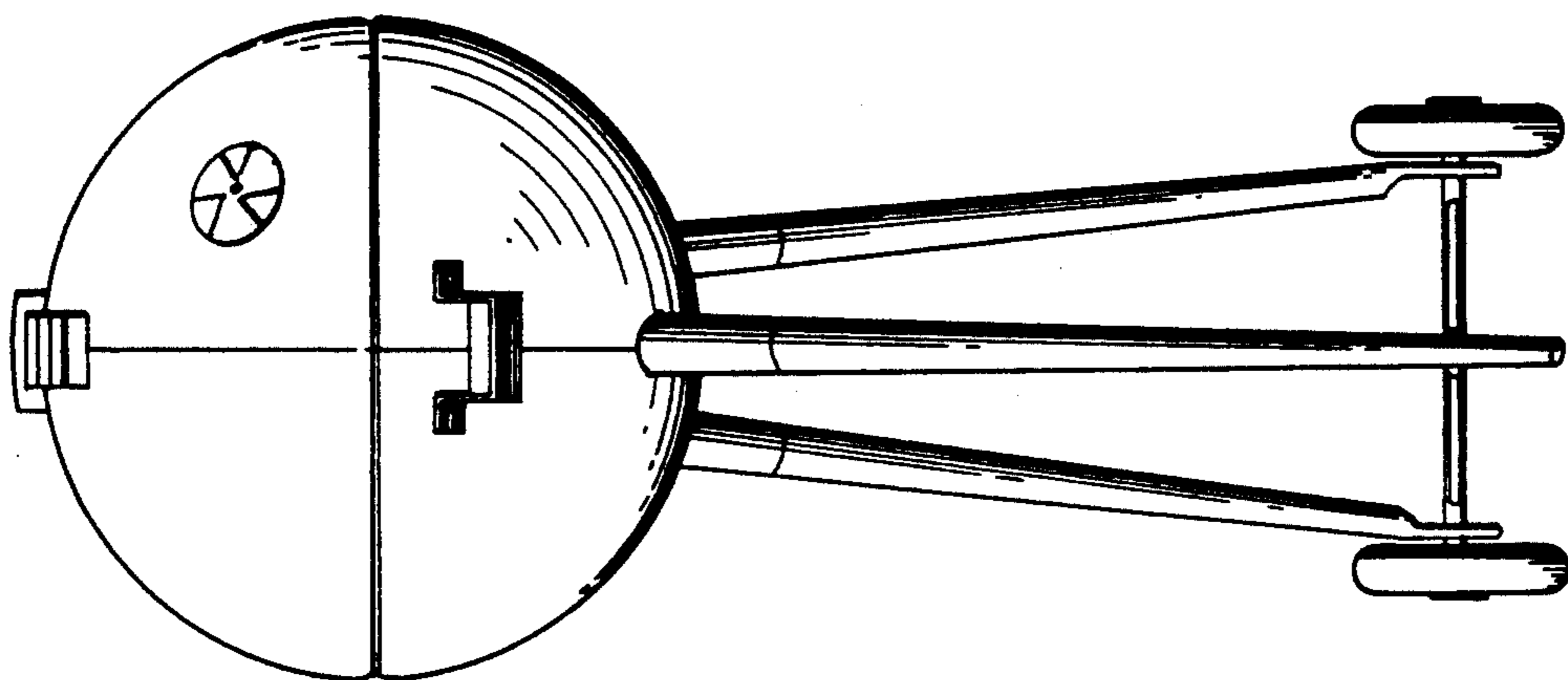


FIG. 3

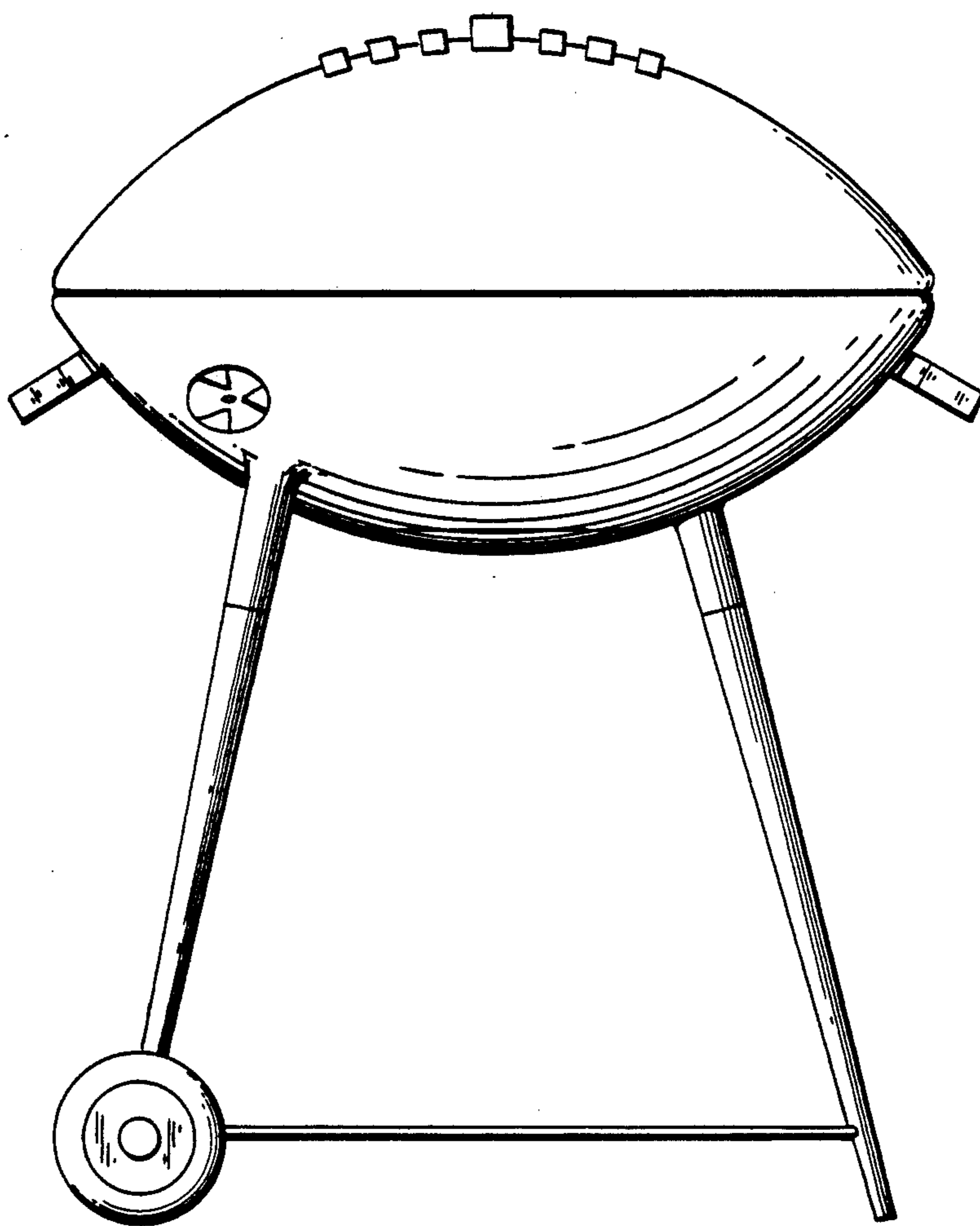


FIG. 5

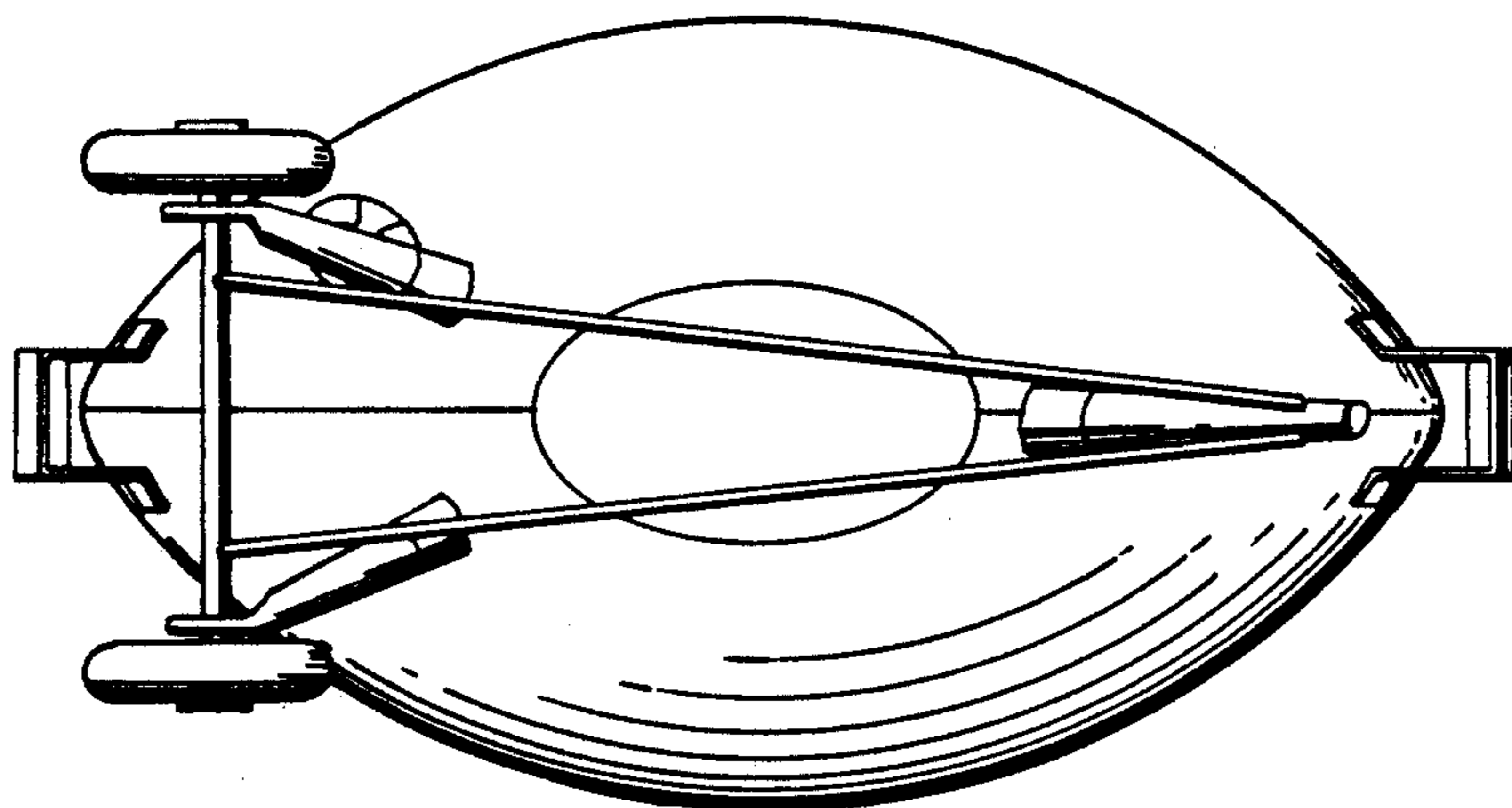


FIG. 6