

[54] COFFEE MAKER

[56] References Cited

[75] Inventors: Martin J. Wondergem, West Bend, Wis.; William C. Cesaroni, Glenview, Ill.

U.S. PATENT DOCUMENTS

D. 253,572 12/1979 Rinaldi D7/309
D. 290,216 6/1987 Precht D7/309

[73] Assignee: Dart Industries Inc., Deerfield, Ill.

Primary Examiner—Winifred E. Herrmann
Attorney, Agent, or Firm—Russell L. McIlwain

[**] Term: 14 Years

[57] CLAIM

The ornamental design for a coffee maker, as shown.

[21] Appl. No.: 169,194

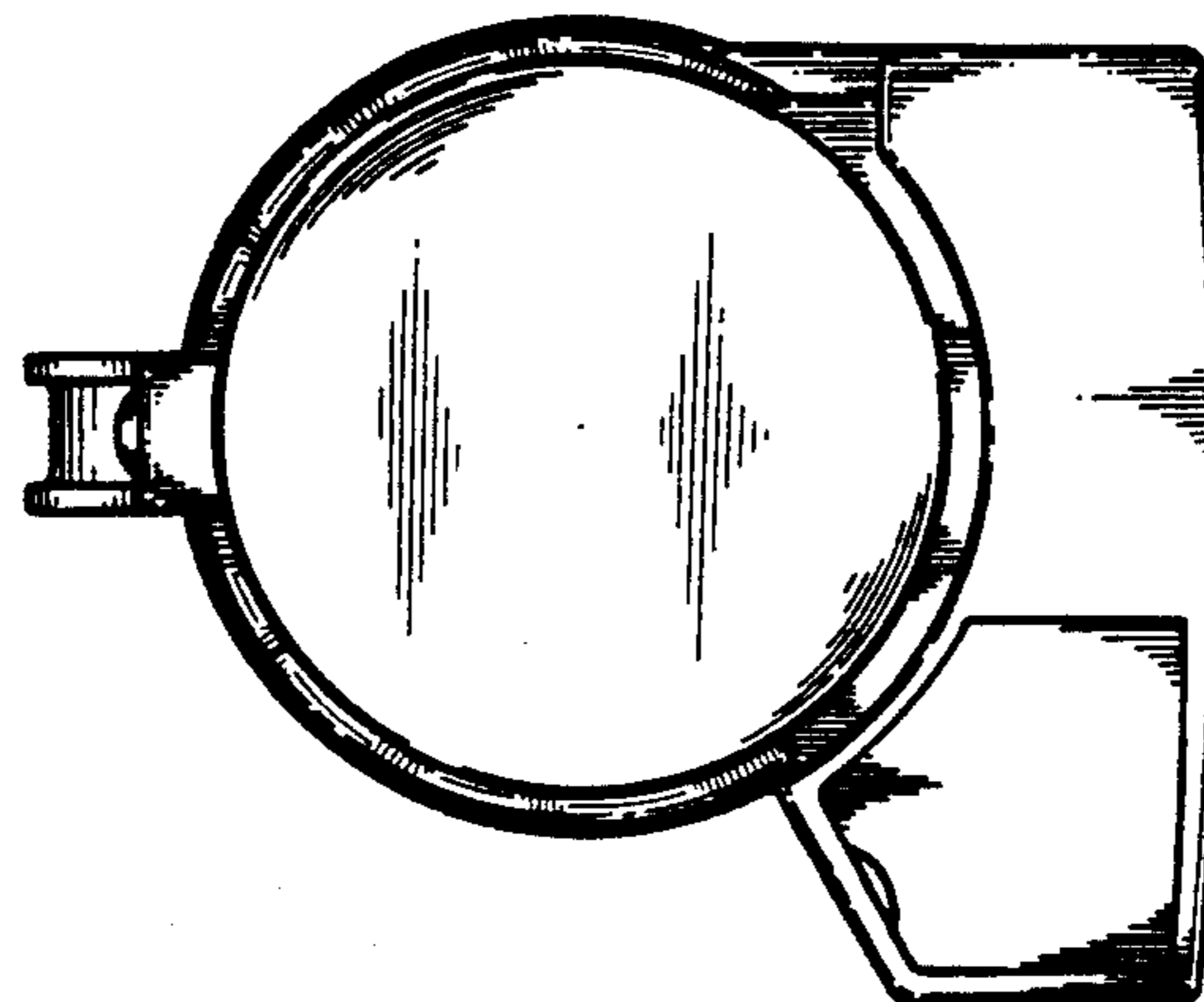
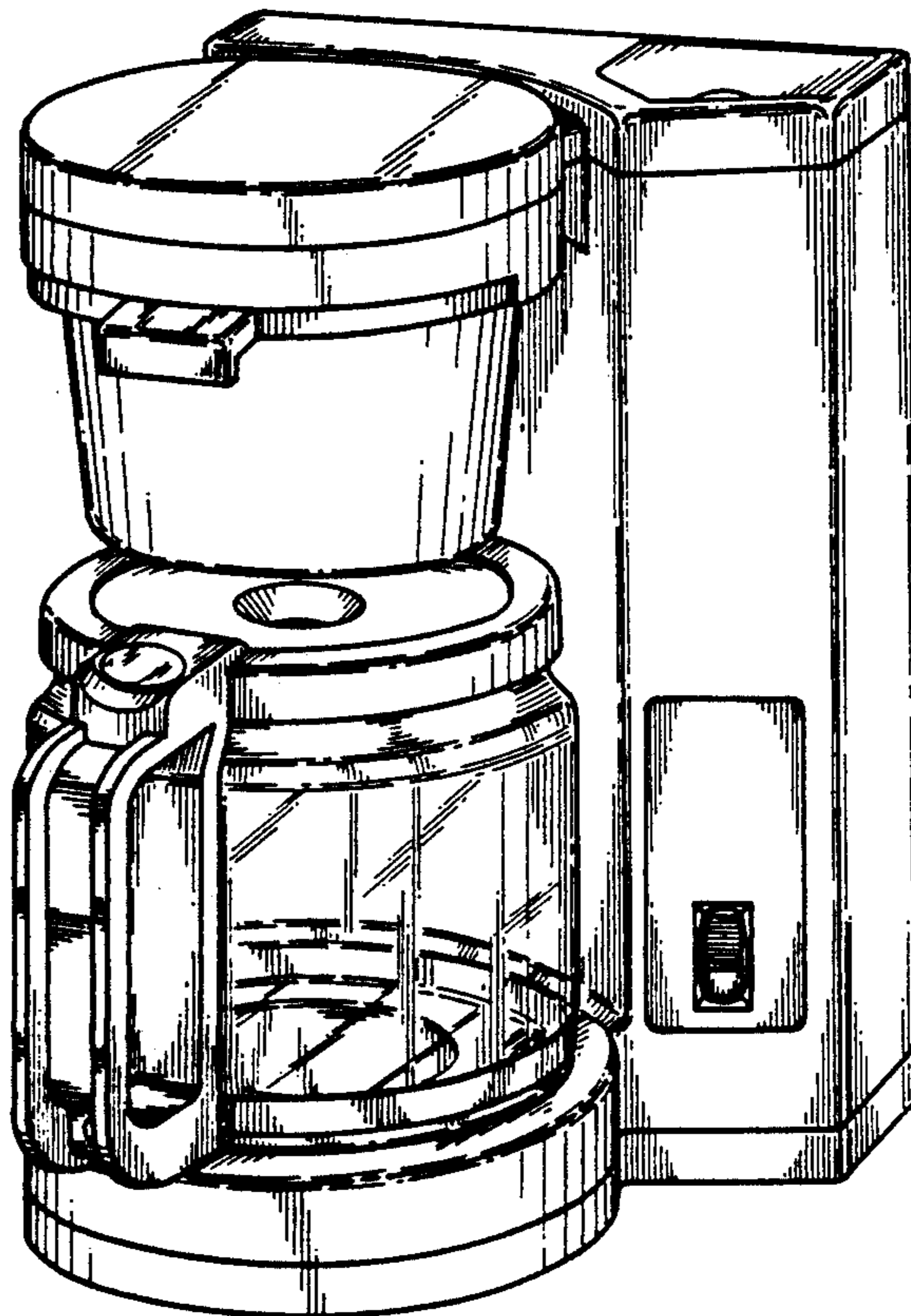
DESCRIPTION

[22] Filed: Mar. 16, 1988

[52] U.S. Cl. D7/309; D7/310

[58] Field of Search D7/310-312,
D7/308, 300, 305, 309

FIG. 1 is a front perspective view of a coffee maker embodying our new design;
FIG. 2 is a right side elevational view thereof;
FIG. 3 is a left side elevational view thereof;
FIG. 4 is a rear elevational view thereof;
FIG. 5 is a top plan view thereof; and
FIG. 6 is a bottom plan view thereof.



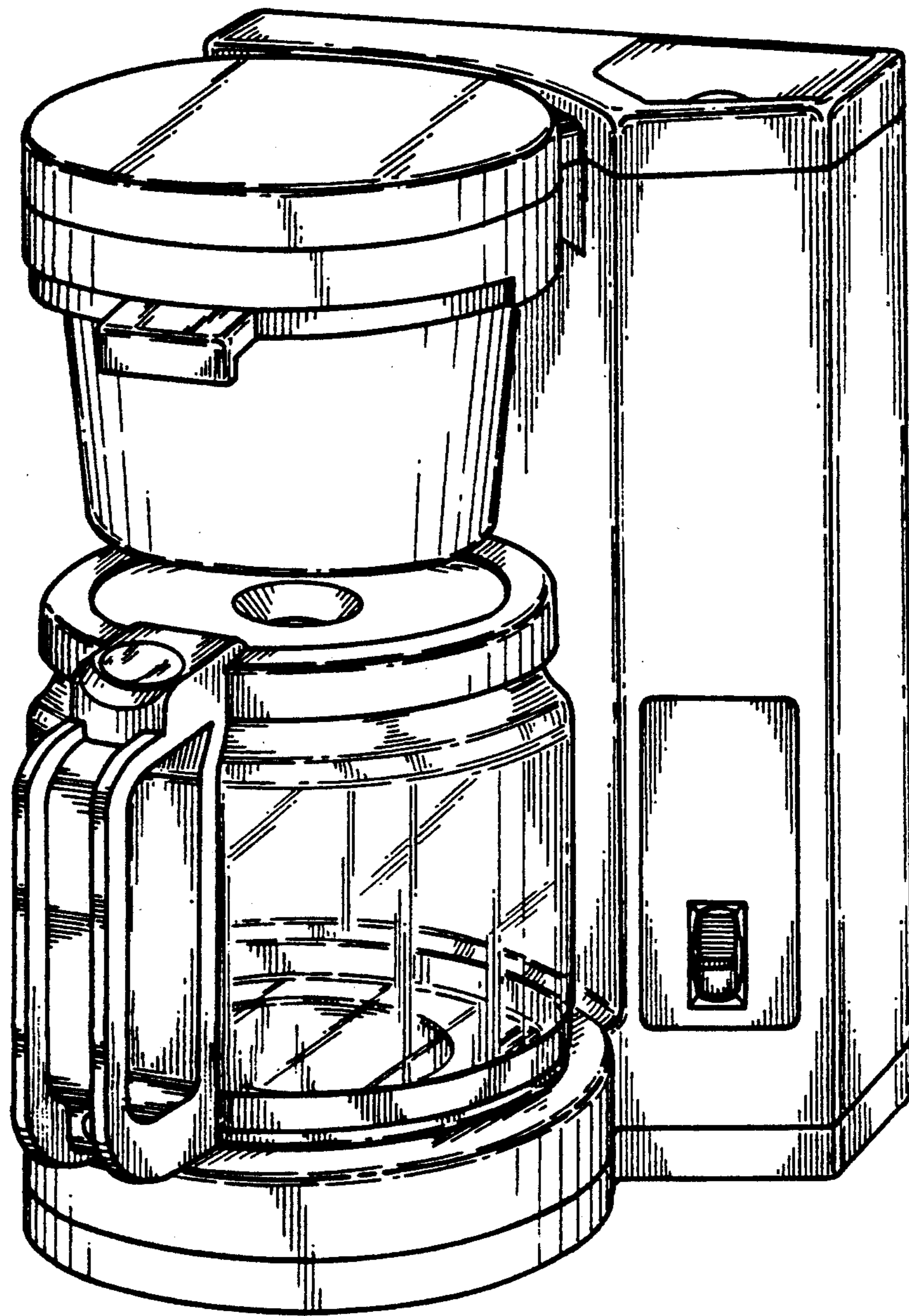


Fig. 1

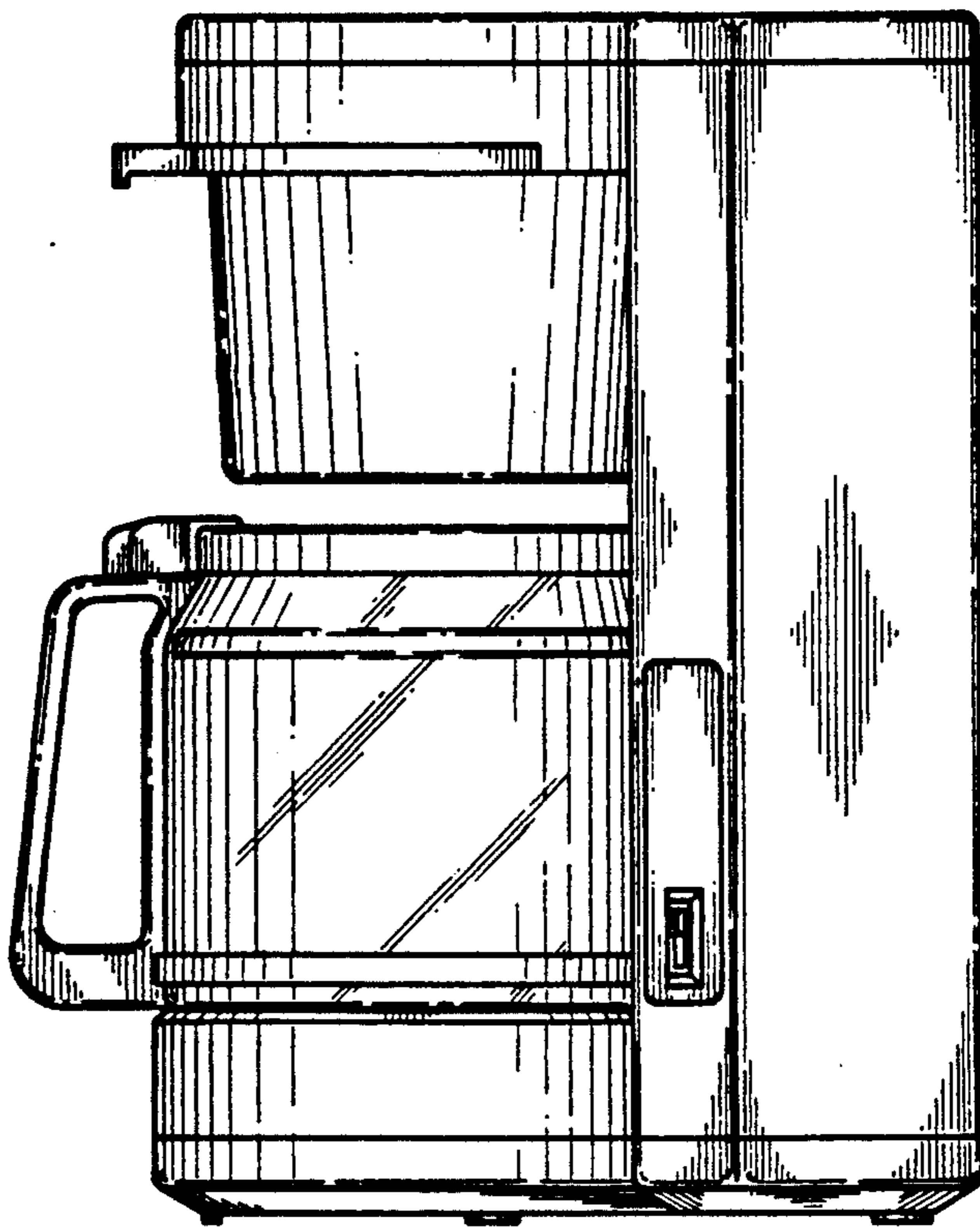


Fig. 2

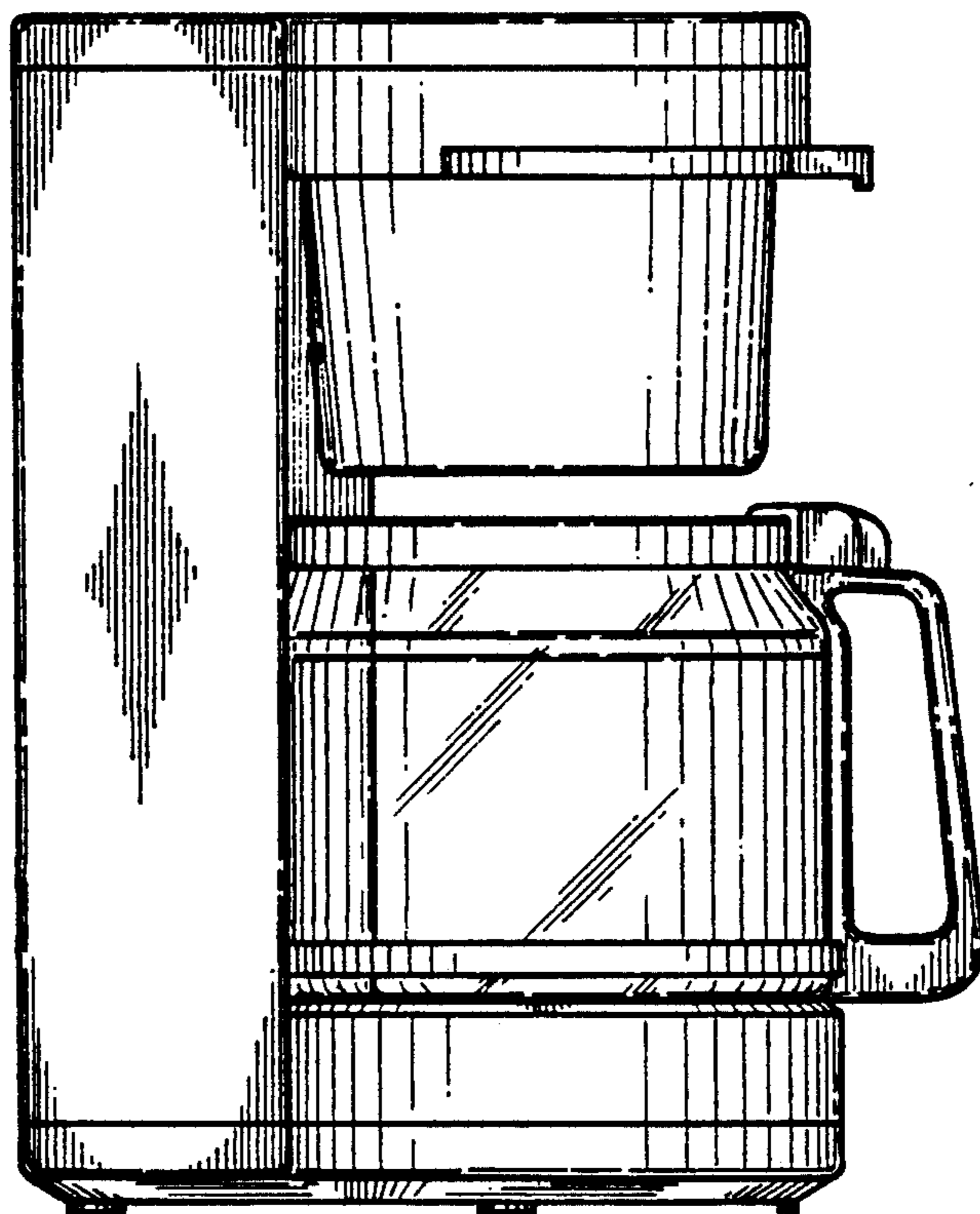


Fig. 3

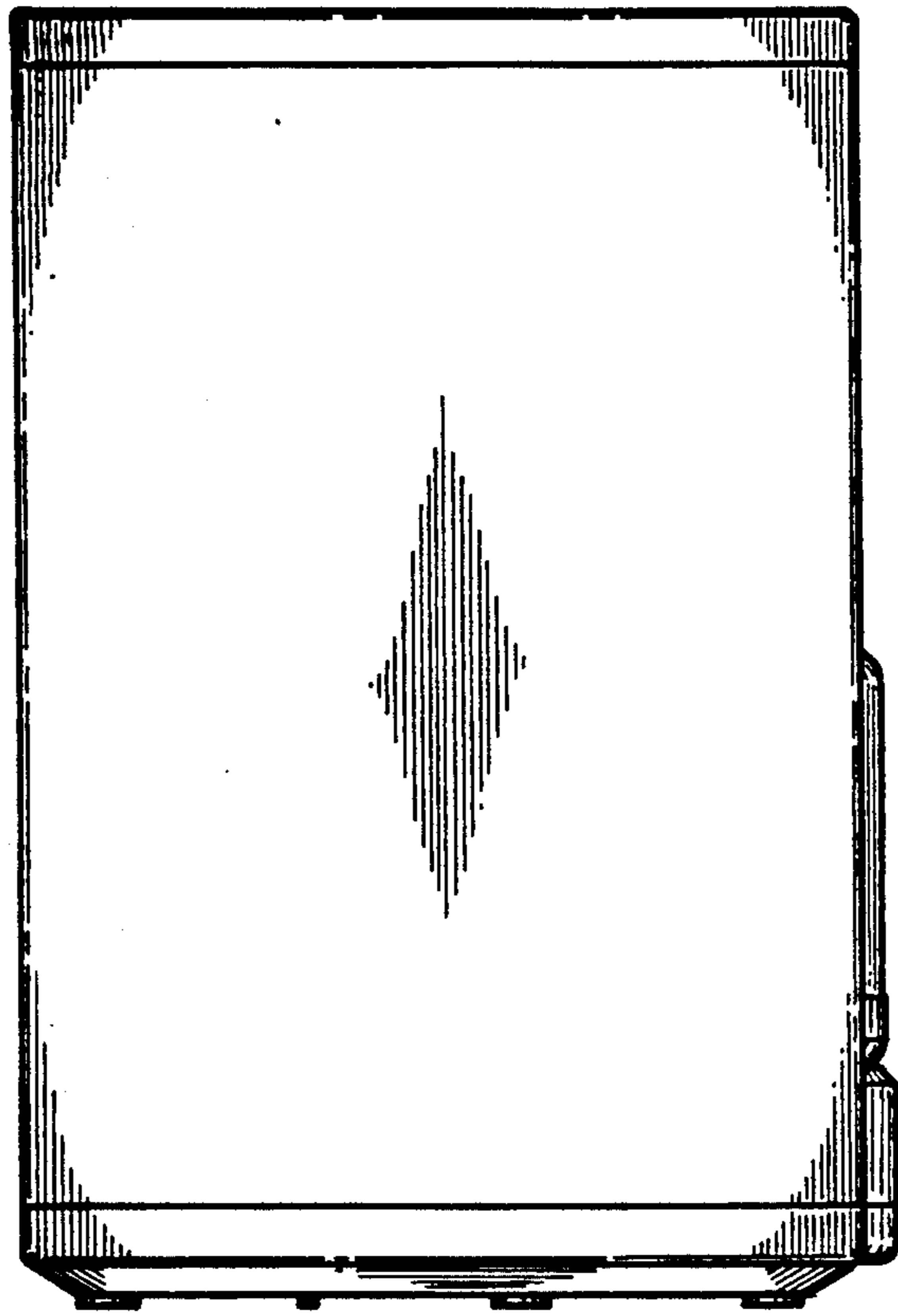


Fig. 4

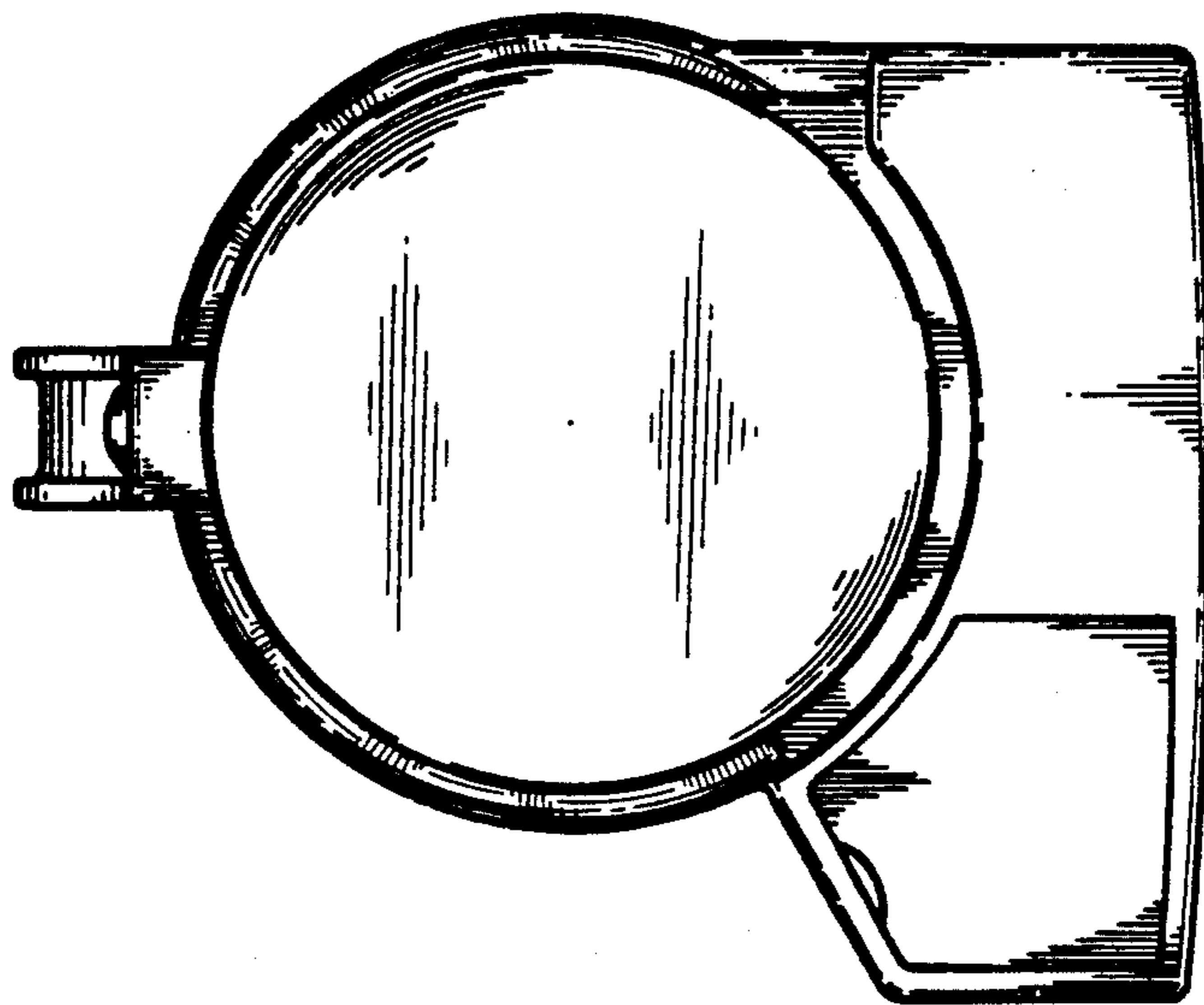


Fig. 5

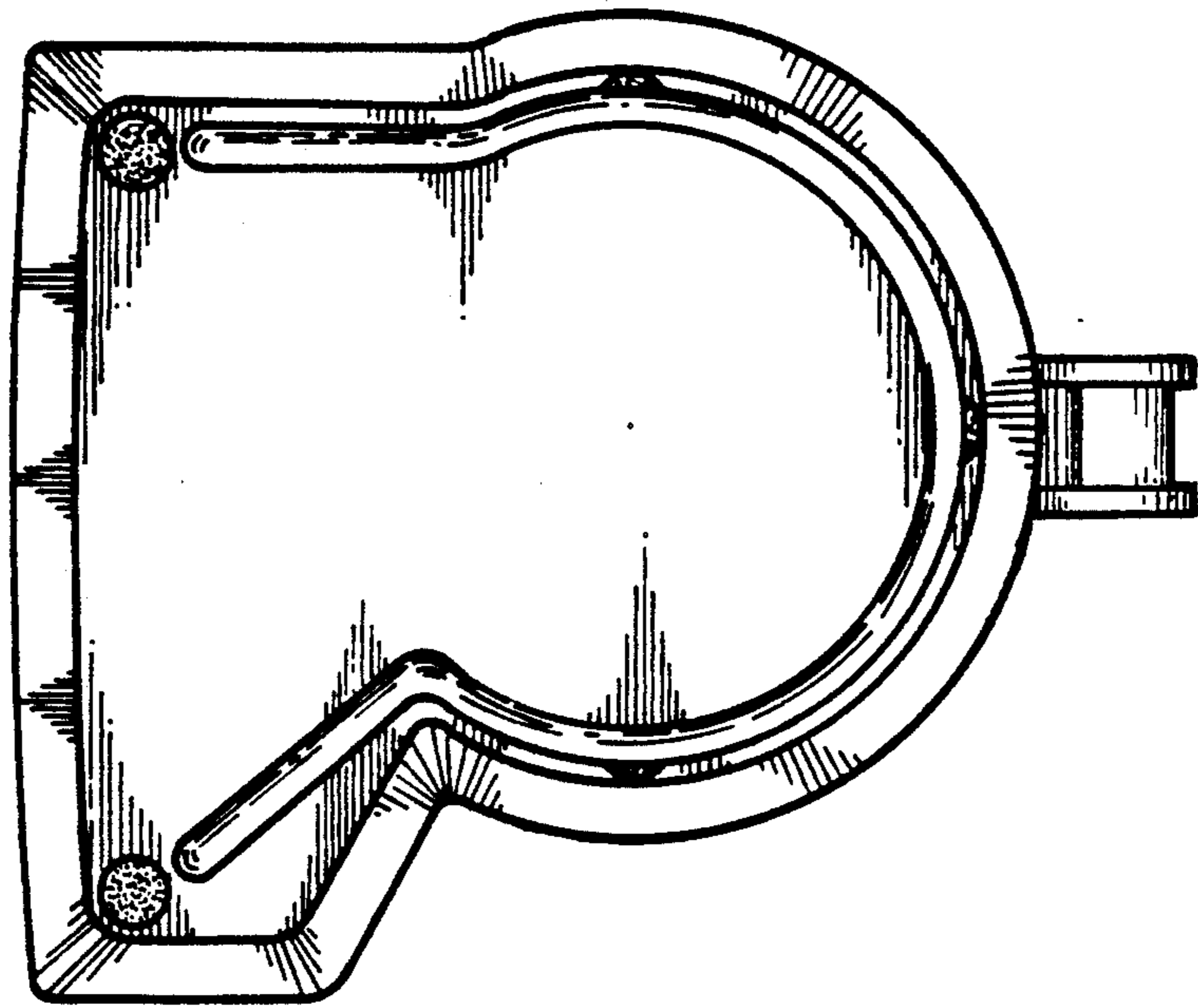


Fig. 6