

[54] **TABLE**

[75] **Inventor:** Richard S. Hart, Elgin, Ill.
[73] **Assignee:** Soft Sheen Products, Inc., Chicago, Ill.
[**] **Term:** 14 Years
[21] **Appl. No.:** 71,043
[22] **Filed:** Jul. 8, 1987
[52] **U.S. Cl.** D6/486; D6/487
[58] **Field of Search** D6/396, 397, 418, 419, D6/420, 448, 449, 462, 480, 486, 487; 108/157, 159

[56] **References Cited**

U.S. PATENT DOCUMENTS

D. 122,925	10/1940	Holden et al.	D6/431 X
D. 235,823	7/1975	Hodge	D6/487 X
D. 296,851	7/1988	Kelley	D6/420
2,794,695	6/1957	Heal	D6/431 X
2,857,227	10/1958	Jacques	108/157 X
3,401,653	9/1968	Knoblock	108/157 X
3,906,848	9/1975	Gow	108/118 X

OTHER PUBLICATIONS

Washington Post, Jul. 15, 1941, The Hecht Co., All-Purpose Adjust-o-Matic Table.

Primary Examiner—Bruce W. Dunkins
Assistant Examiner—Janice Seeger
Attorney, Agent, or Firm—Allegretti & Witcoff, Ltd.

[57] **CLAIM**

The ornamental design for a table, as shown and described.

DESCRIPTION

FIG. 1 is a perspective view of a table, showing my new design;
FIG. 2 is an exploded perspective view thereof;
FIG. 3 is an exploded bottom perspective view thereof;
FIG. 4 is a side elevational view, the opposite side being a mirror image thereof;
FIG. 5 is a front elevational view thereof;
FIG. 6 is a rear elevational view thereof;
FIG. 7 is a top plan view thereof; and
FIG. 8 is a bottom plan view thereof.

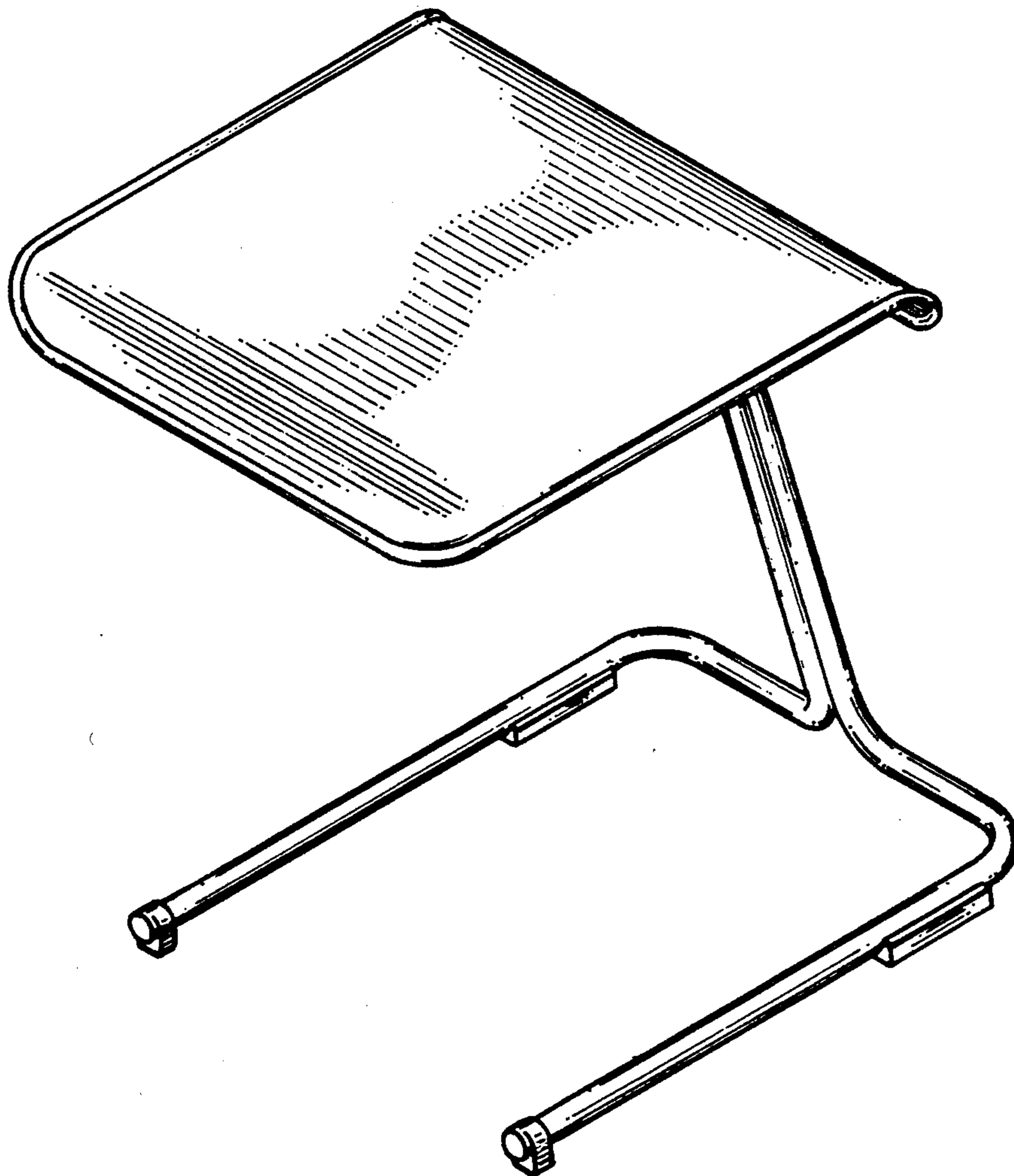


Fig. 1

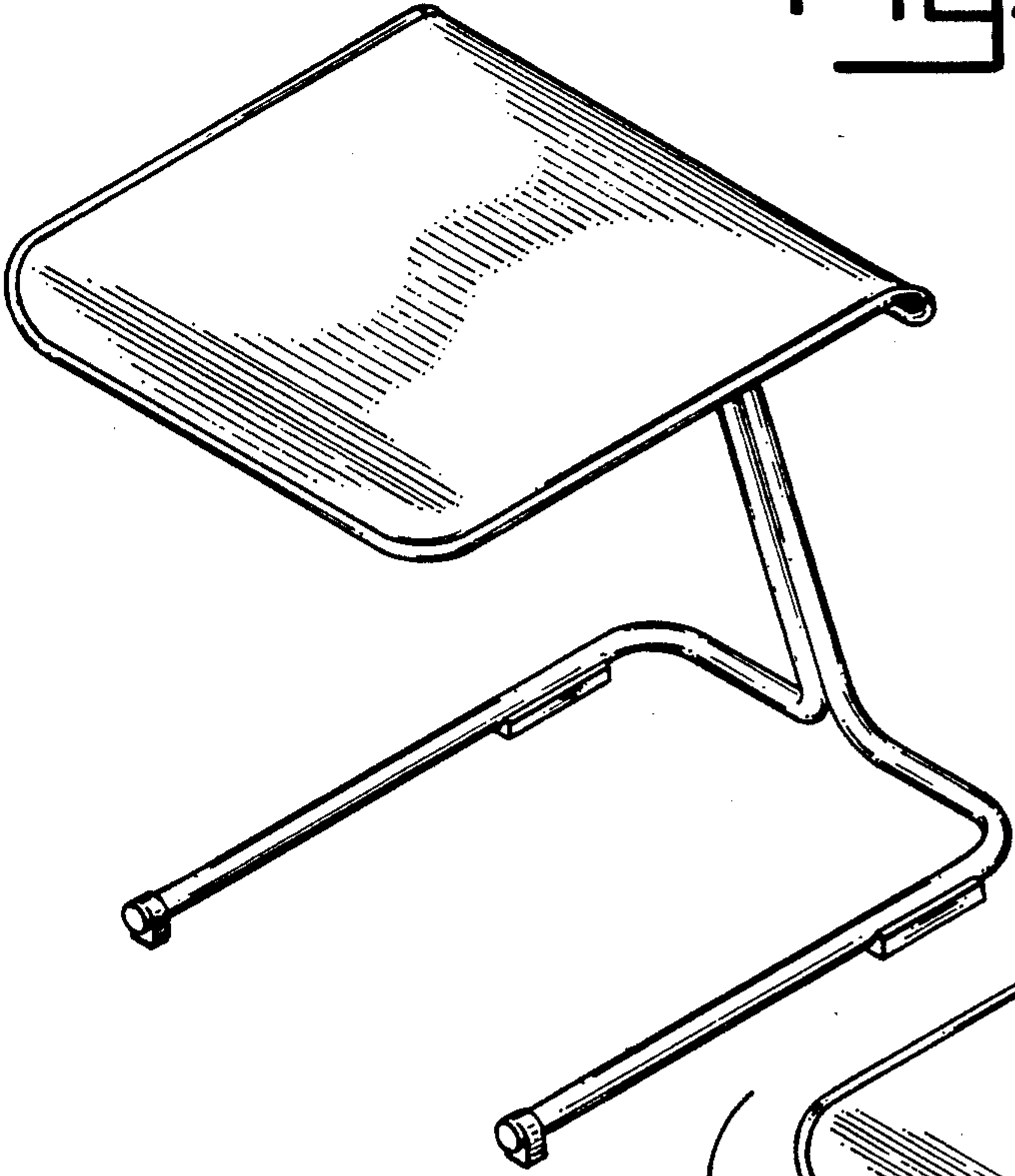
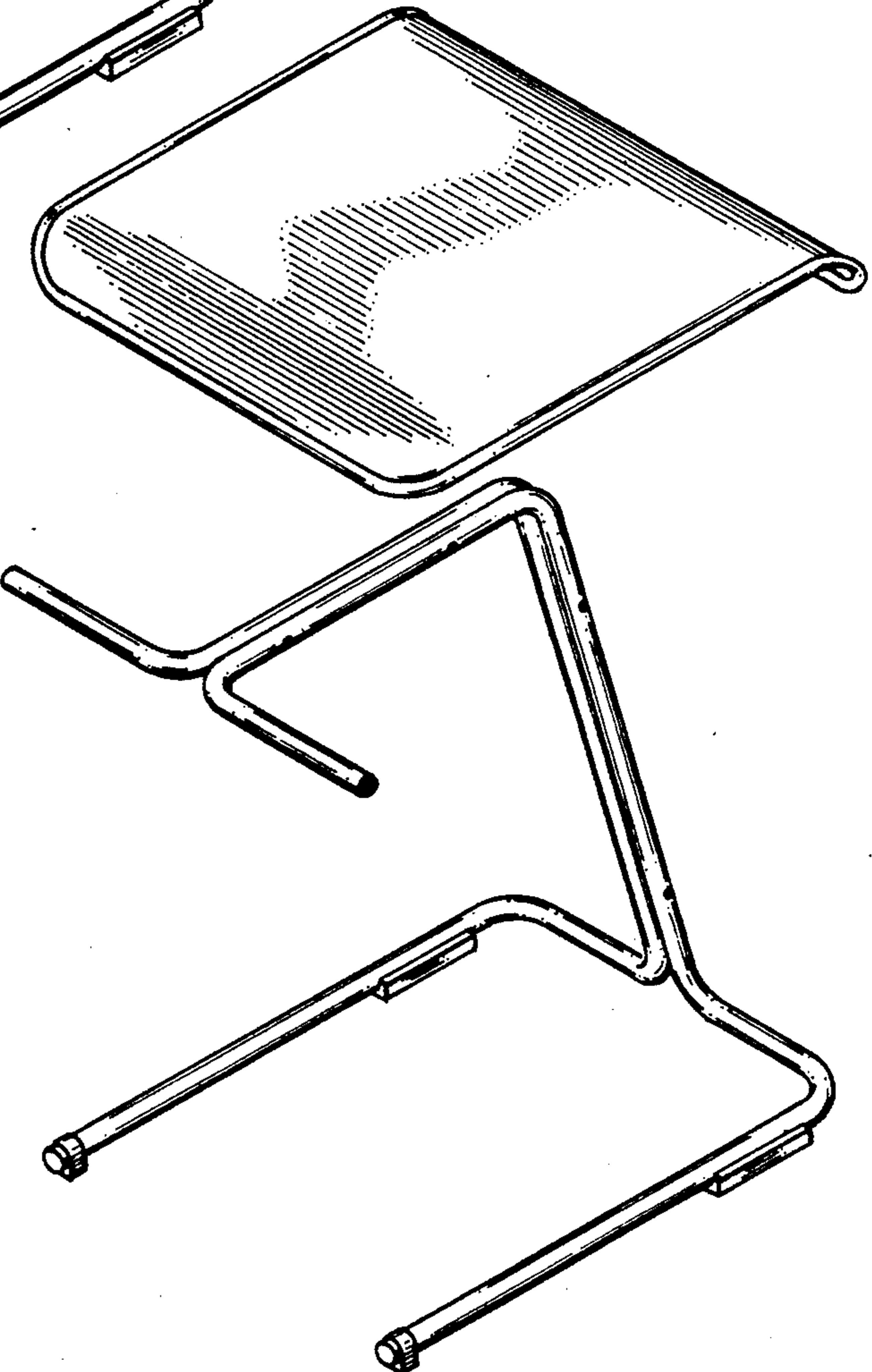


Fig. 2



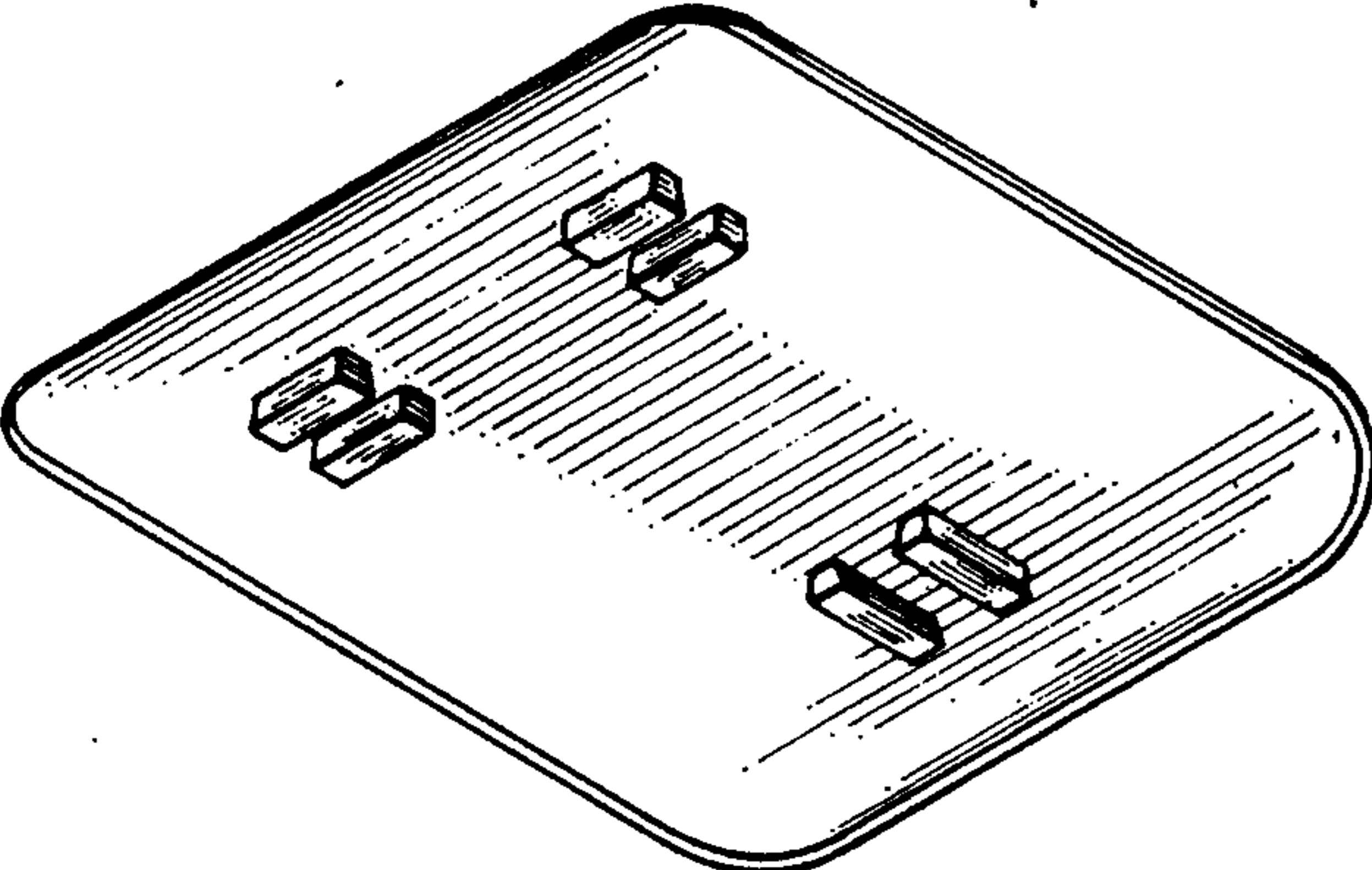


Fig. 3

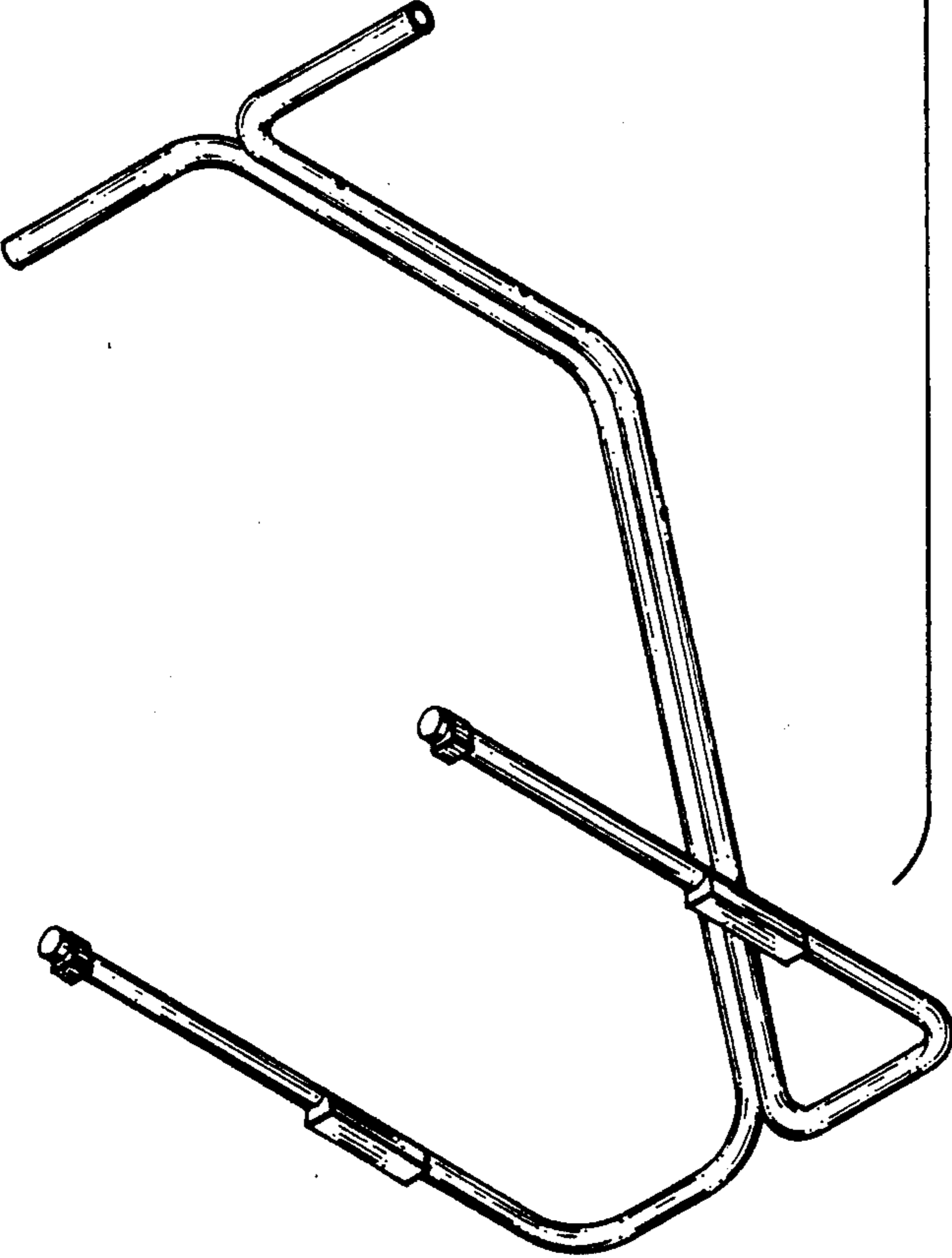


Fig. 4

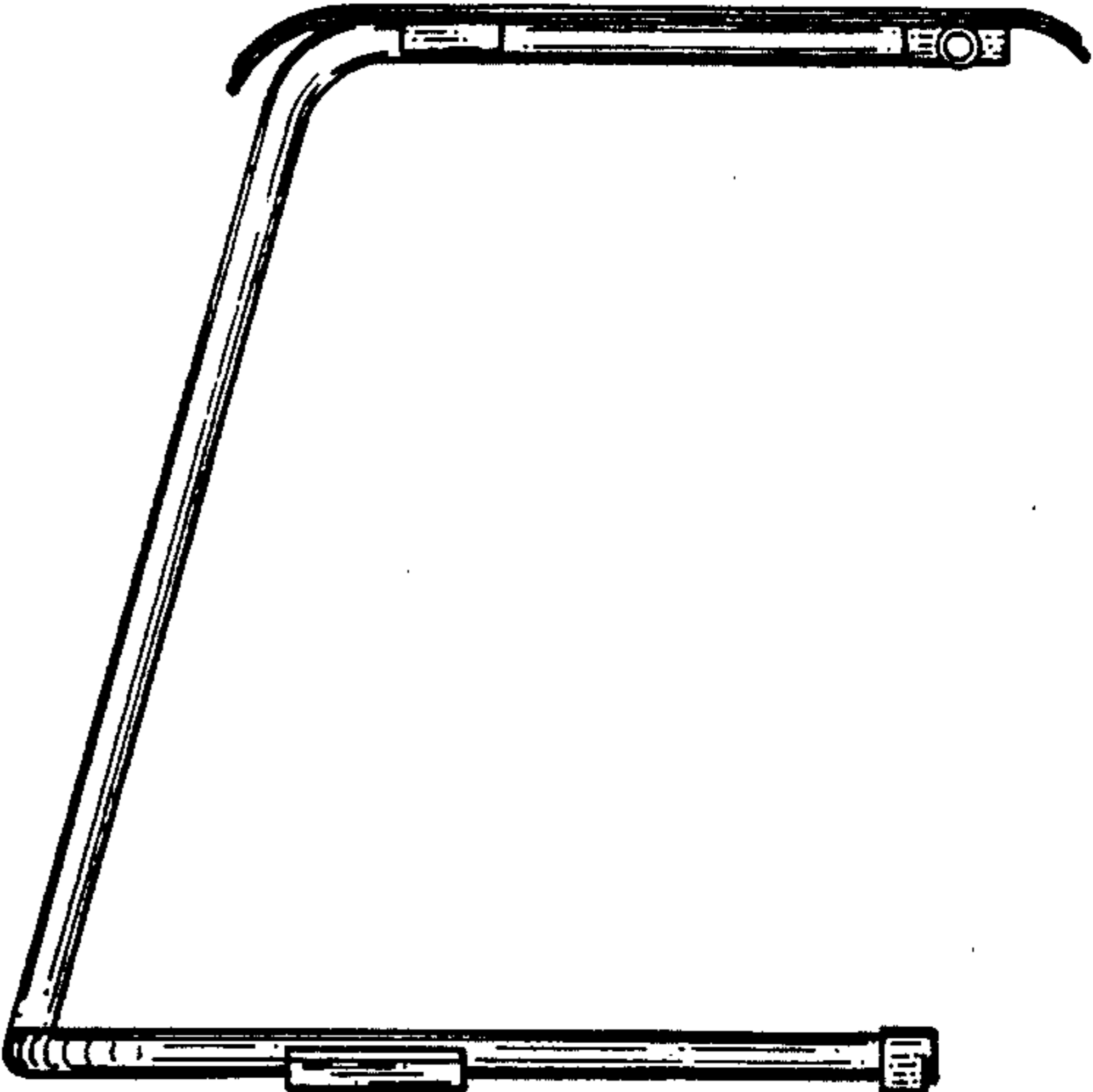


Fig. 5

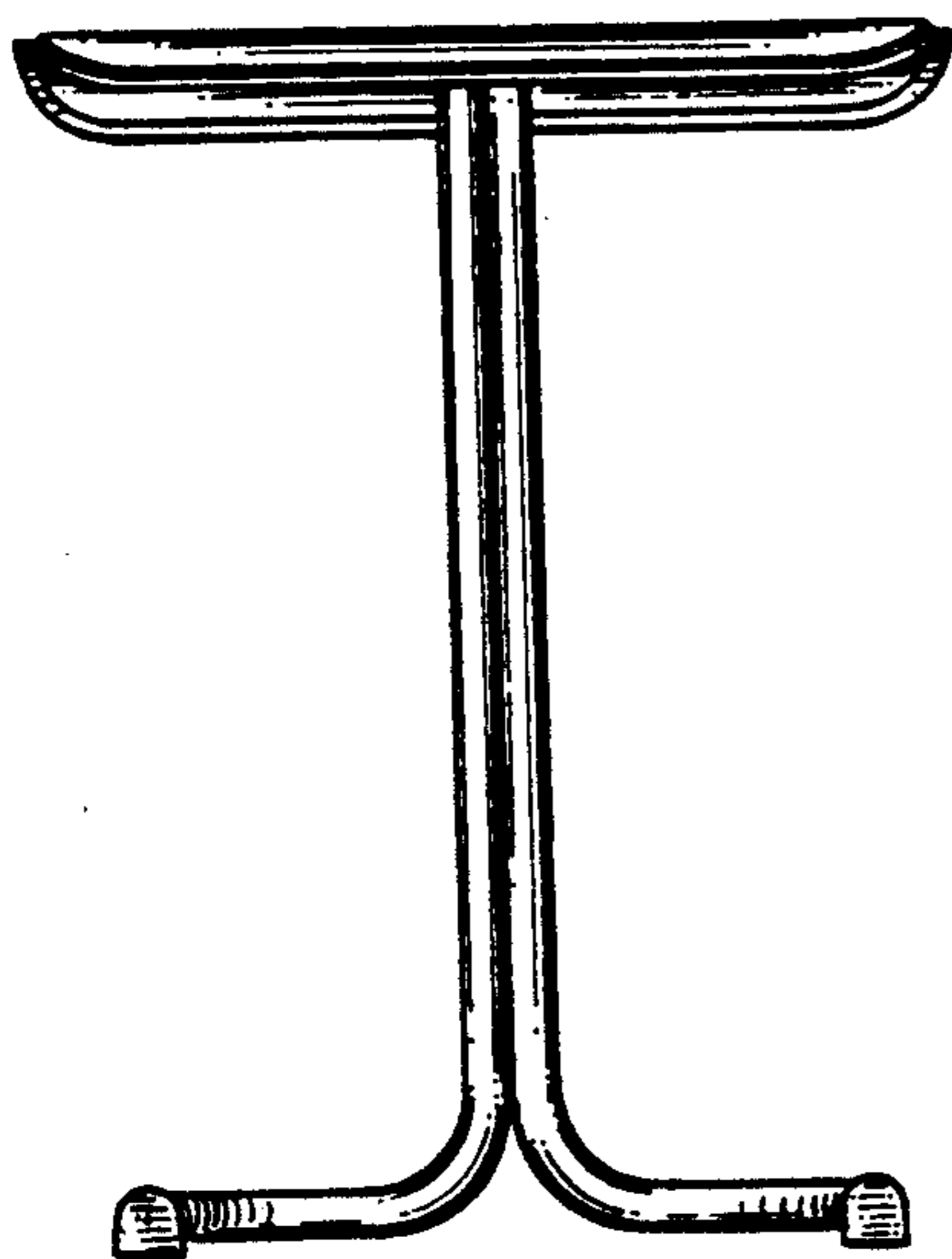


Fig. 6

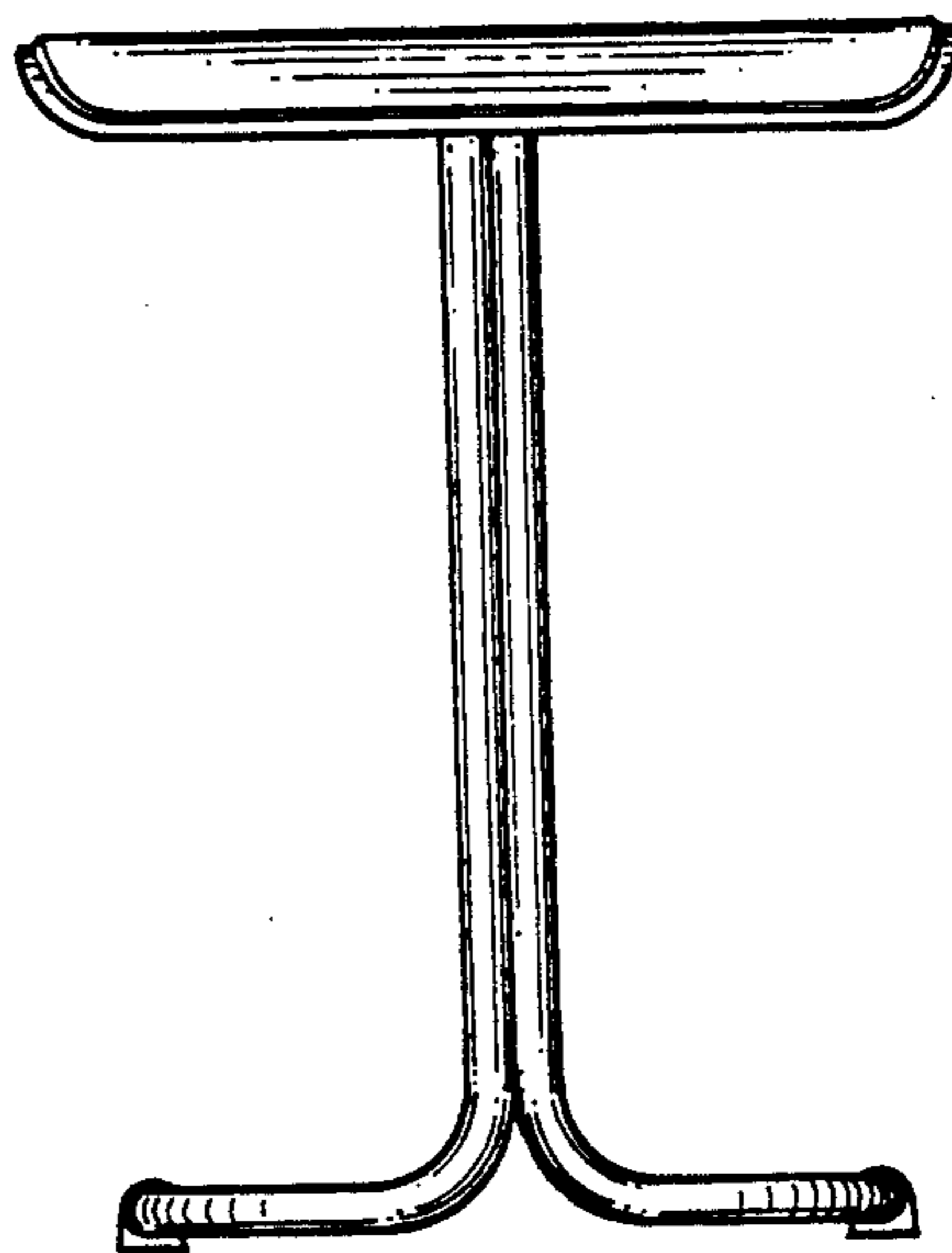


Fig. 7

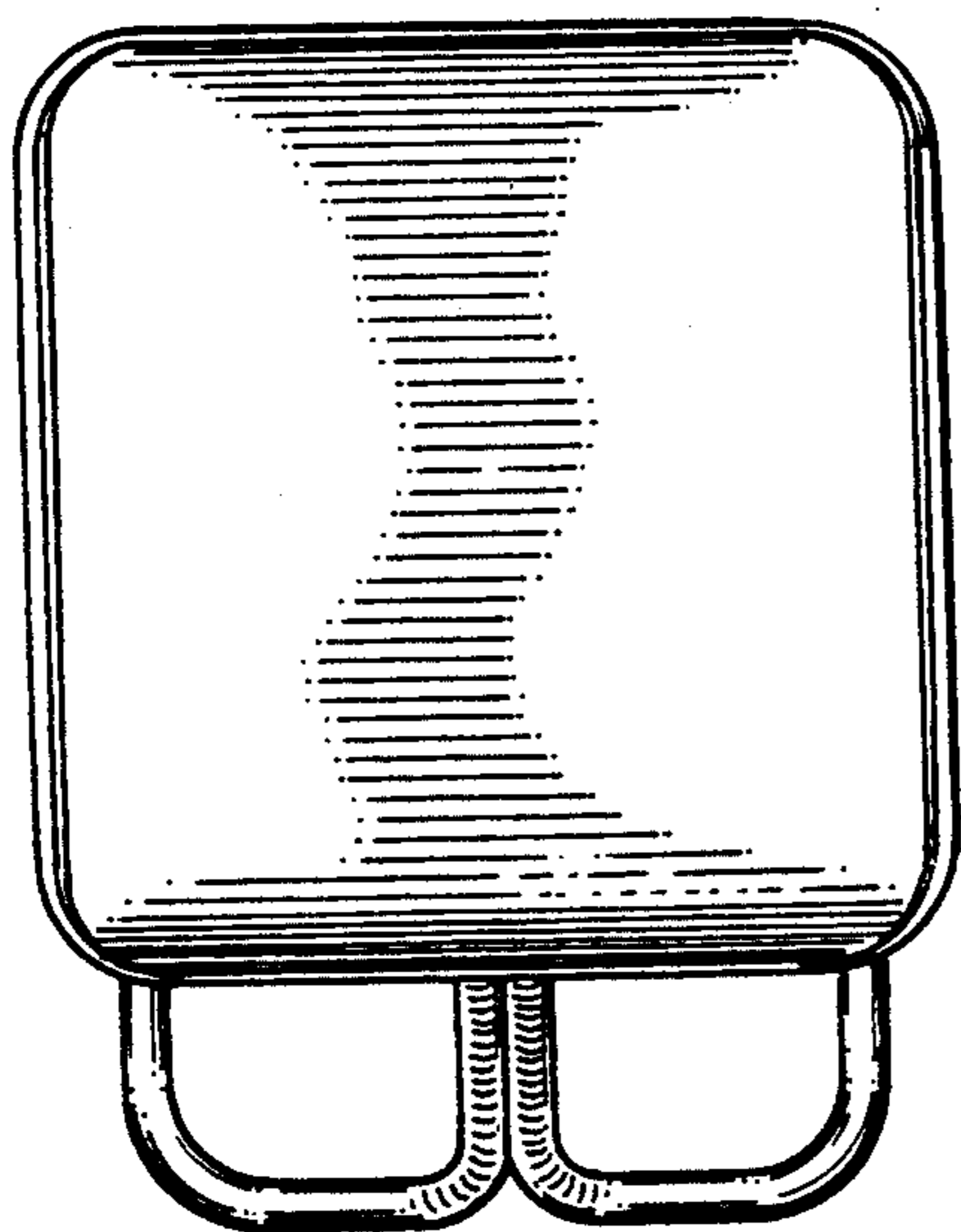


Fig. 8

