

[54] **COMBINED STORAGE AND CUP DISPENSER UNIT**
[75] **Inventor: J. Marshall Suttles, Elberton, Ga.**
[73] **Assignee: Royston Corporation, Royston, Ga.**
[**] **Term: 14 Years**
[21] **Appl. No.: 395,452**
[22] **Filed: Jul. 28, 1989**

Related U.S. Application Data

[62] **Division of Ser. No. 871,766, Jun. 9, 1986.**
[52] **U.S. Cl. D6/469; D6/468;
D6/516**
[58] **Field of Search D6/515, 516, 436, 432,
D6/397, 396, 469, 468; 312/43, 279; 221/279 B;
211/74, 71; D7/602**

[56] **References Cited**
U.S. PATENT DOCUMENTS
D. 286,109 10/1986 Cosby et al. D6/516 X
2,885,113 5/1959 Bennett 312/43 X
4,243,153 1/1981 Mitchell 312/43 X
4,489,996 12/1984 Norton et al. 312/279

Primary Examiner—Bruce W. Dunkins
Assistant Examiner—Jeffrey Asch
Attorney, Agent, or Firm—Howson and Howson

[57] **CLAIM**
The ornamental design for a combined storage cabinet and cup dispenser unit, as shown and described.

DESCRIPTION

FIG. 1 is a perspective view of a combined storage cabinet and cup dispenser unit showing my new design; FIG. 2 is a front elevational view thereof; FIG. 3 is a right side elevational view thereof, the left side being a mirror image of the right side; FIG. 4 is a rear elevational view thereof; and FIG. 5 is a bottom plan view thereof.

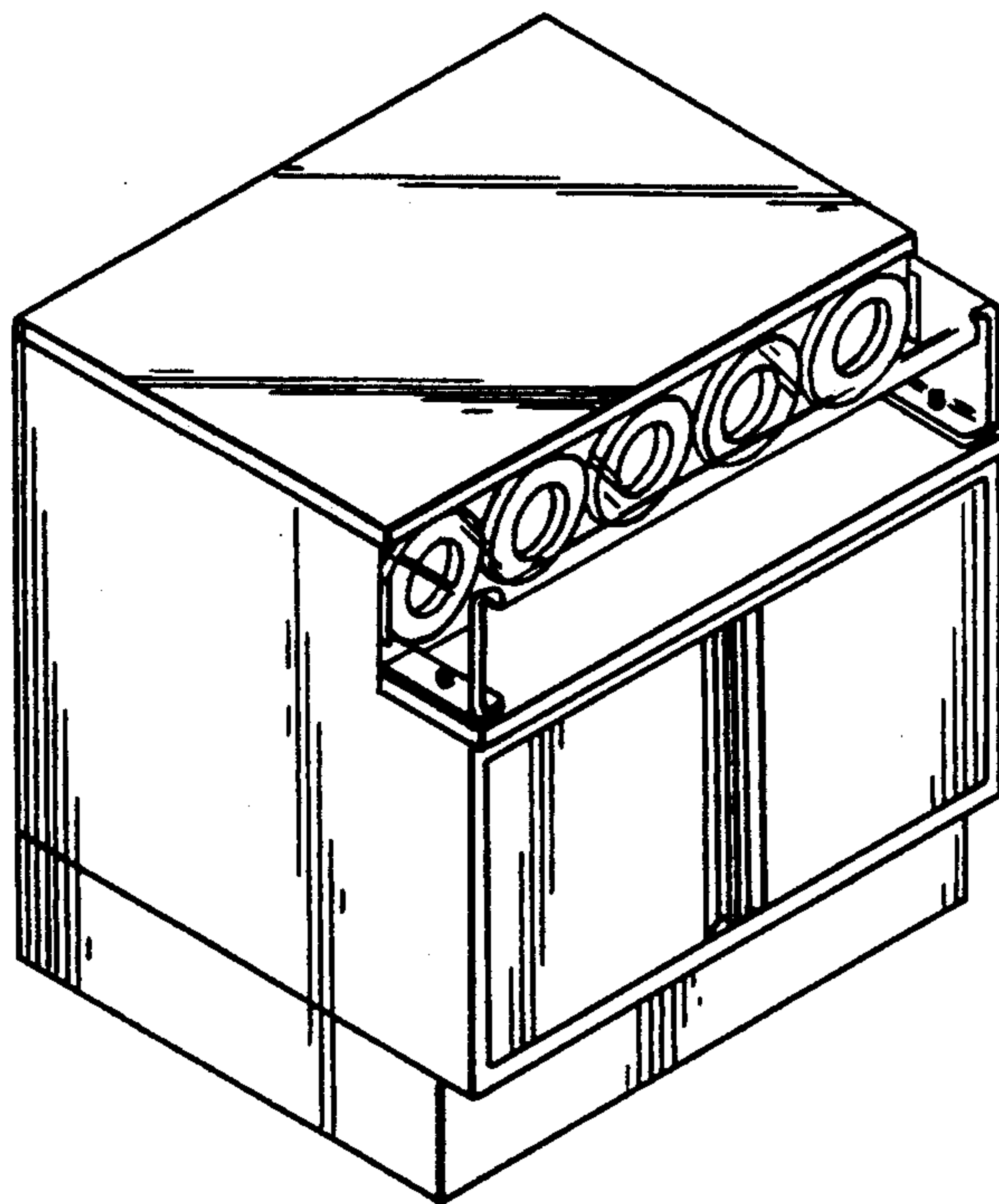


FIG. 1

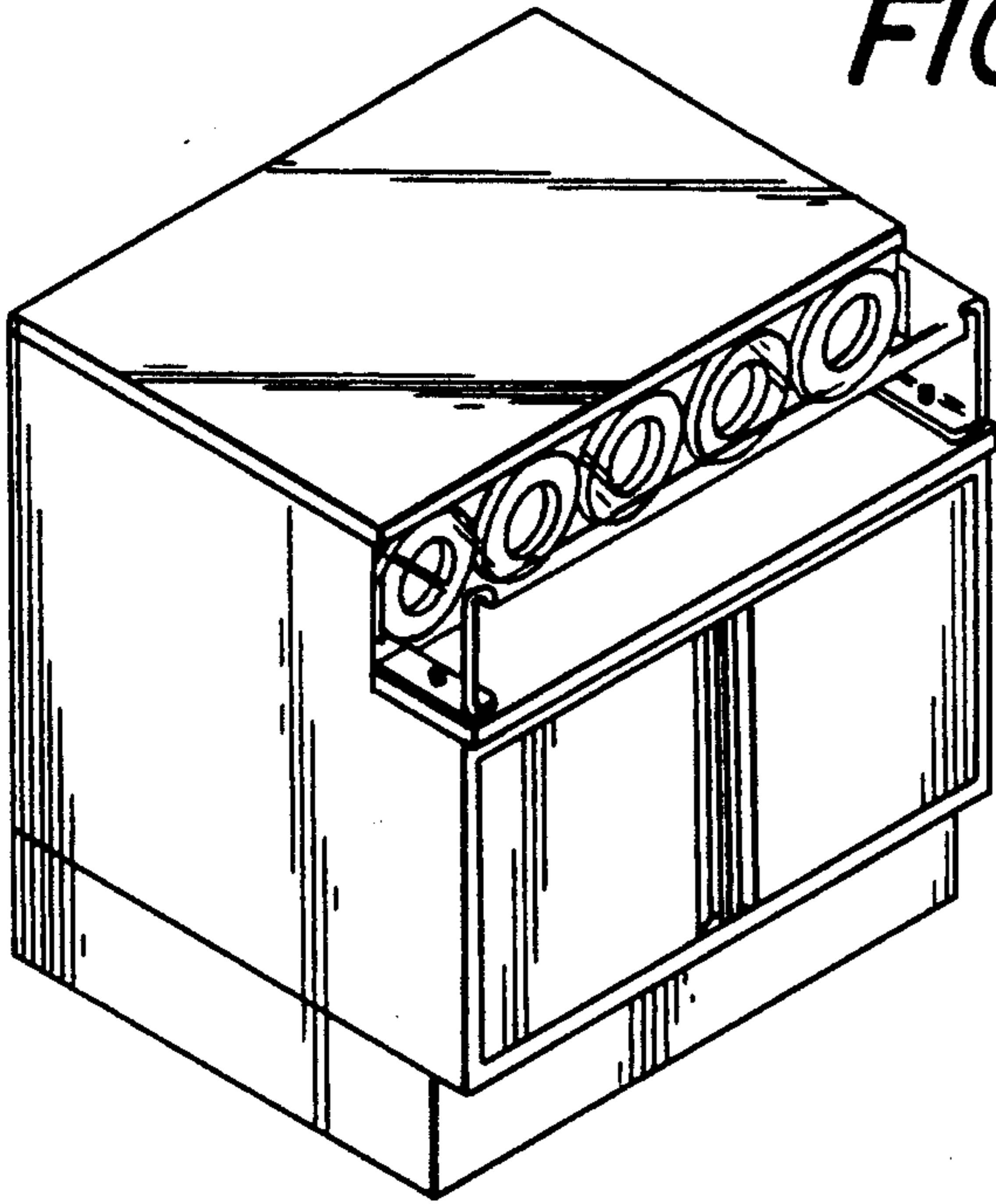


FIG. 2

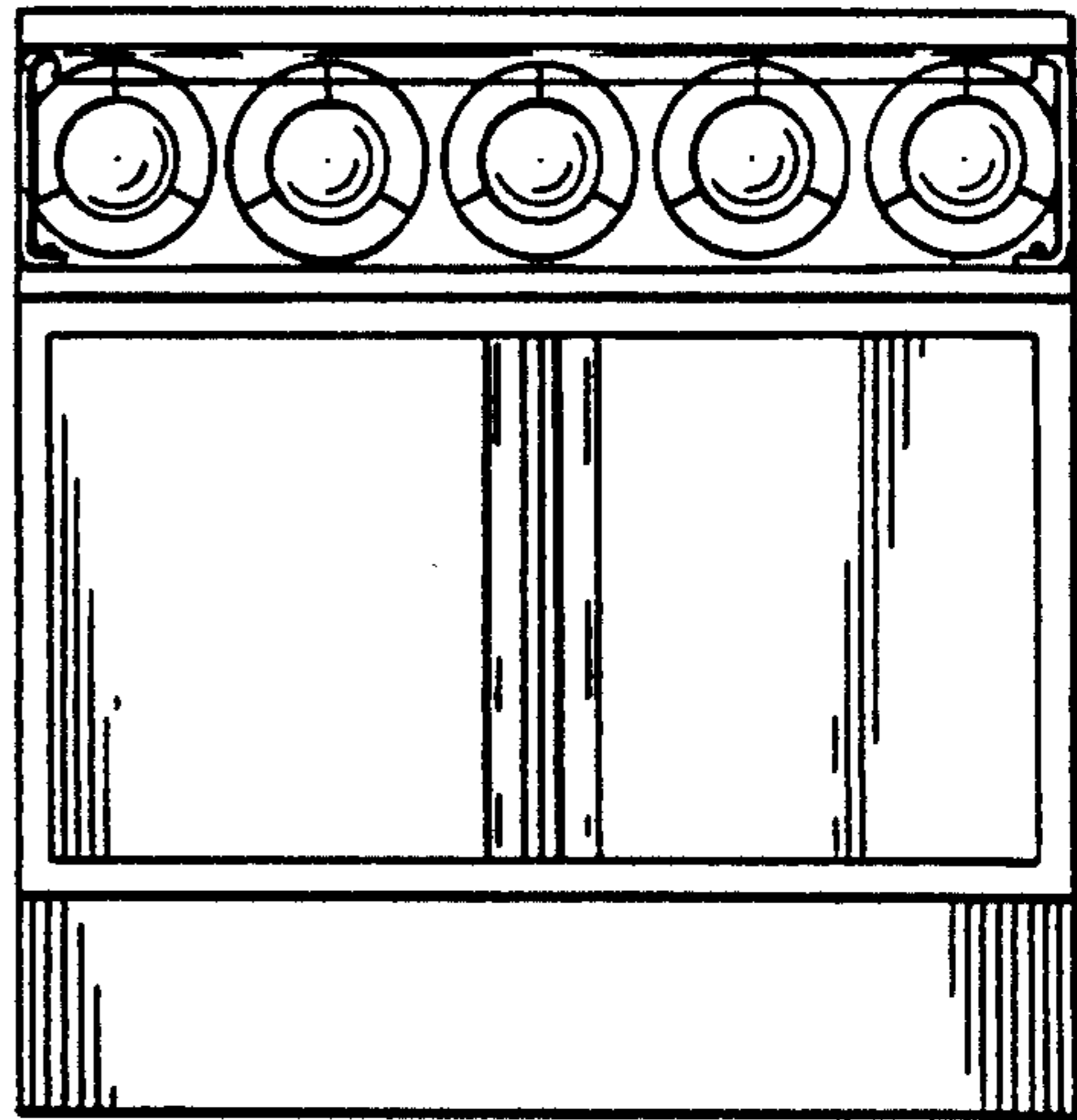


FIG. 3

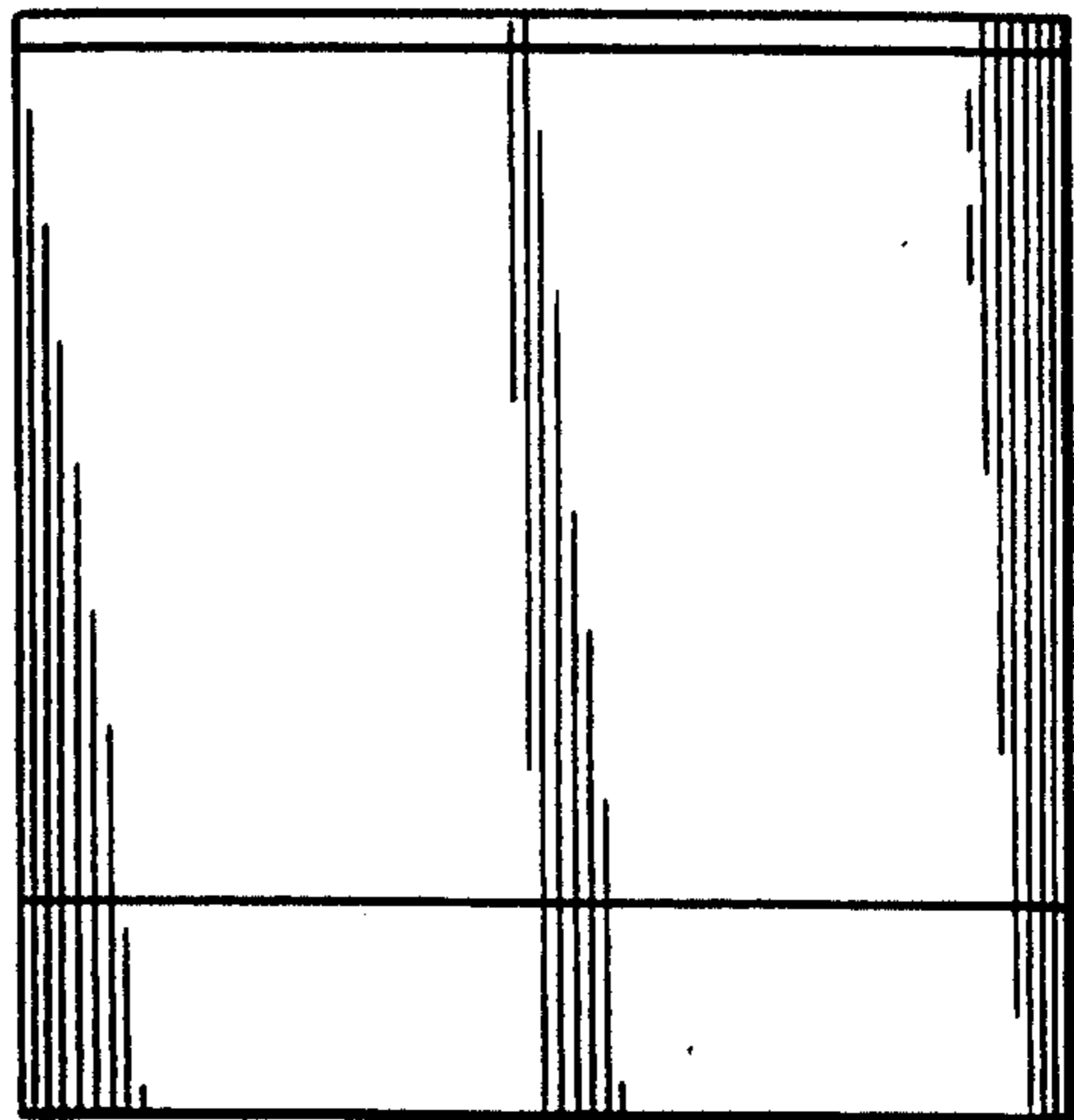
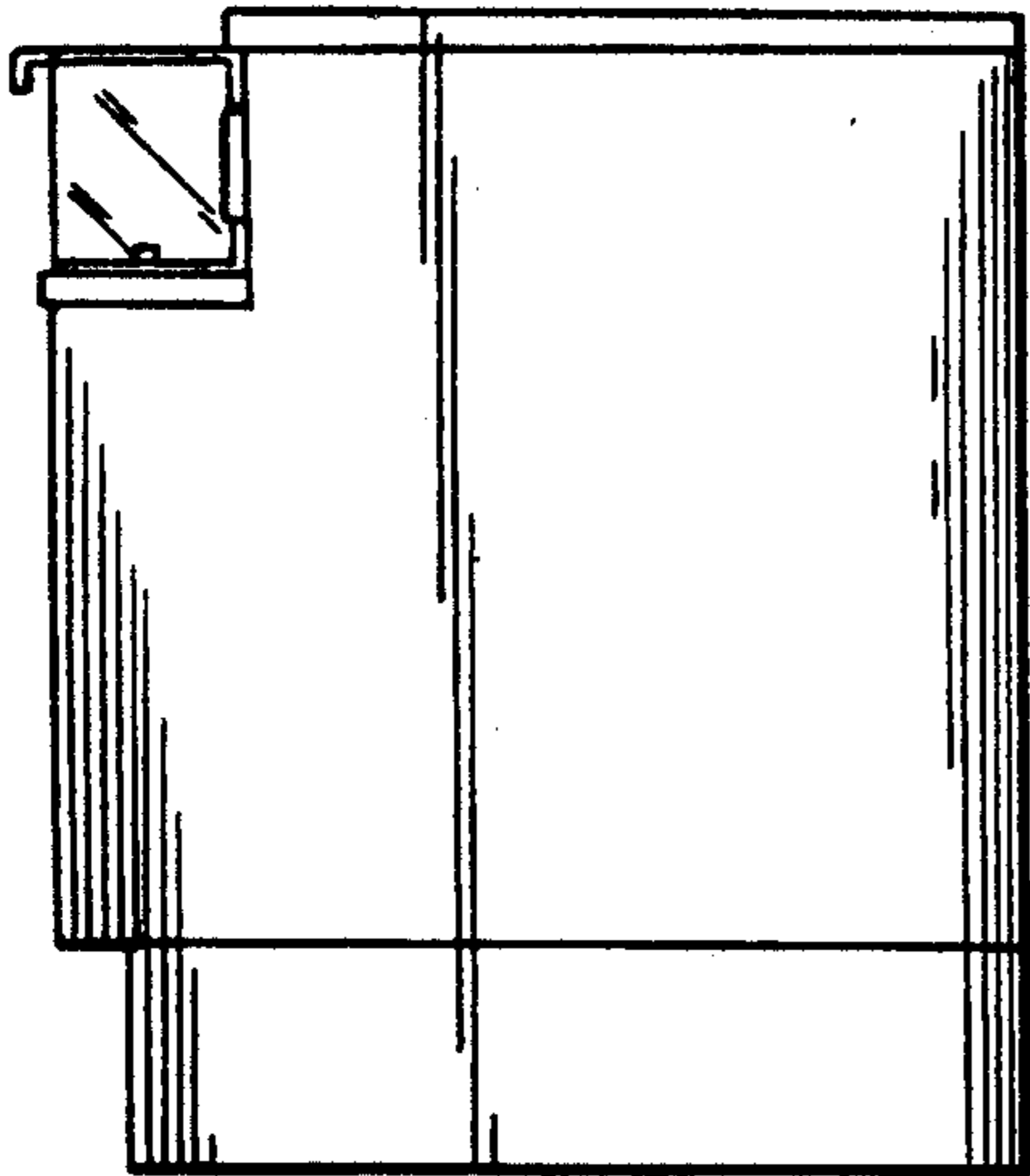


FIG. 4

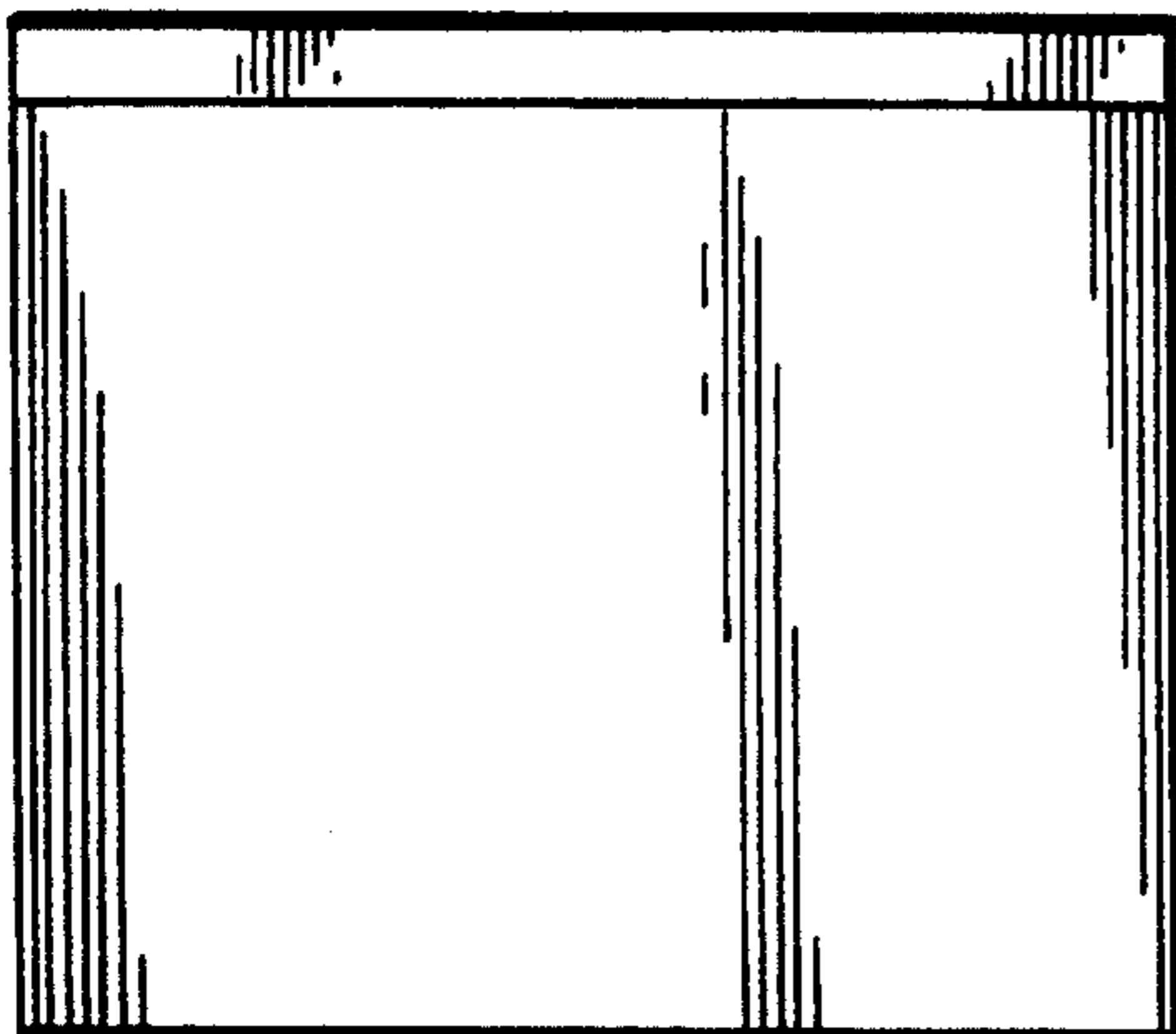


FIG. 5