

[54] COLLAPSIBLE MUSIC STAND

[75] Inventors: Kari J. Wenger, Cincinnati, Ohio; Eugene N. Reshanov, Golden Valley, Minn.

[73] Assignee: Wenger Corporation, Owatonna, Minn.

[\*\*] Term: 14 Years

[21] Appl. No.: 74,435

[22] Filed: Jul. 16, 1987

[52] U.S. Cl. .... D6/419; D6/431

[58] Field of Search ..... D6/419, 406, 420, 429-431, D6/300-314; 248/460, 454, 457, 463, 441.1, 447

[56] References Cited

U.S. PATENT DOCUMENTS

D. 187,030	1/1960	Wenger	.....	D6/419
D. 226,699	4/1973	Blain	.....	D6/419
D. 239,899	5/1976	Malcolm	.....	D6/419
D. 246,016	10/1977	Brady	.....	D6/419

1,384,861	7/1921	Schingel	.....	248/454
4,726,555	2/1988	Weir	.....	248/460 X

FOREIGN PATENT DOCUMENTS

2086219	5/1982	United Kingdom	.....	248/457
---------	--------	----------------	-------	---------

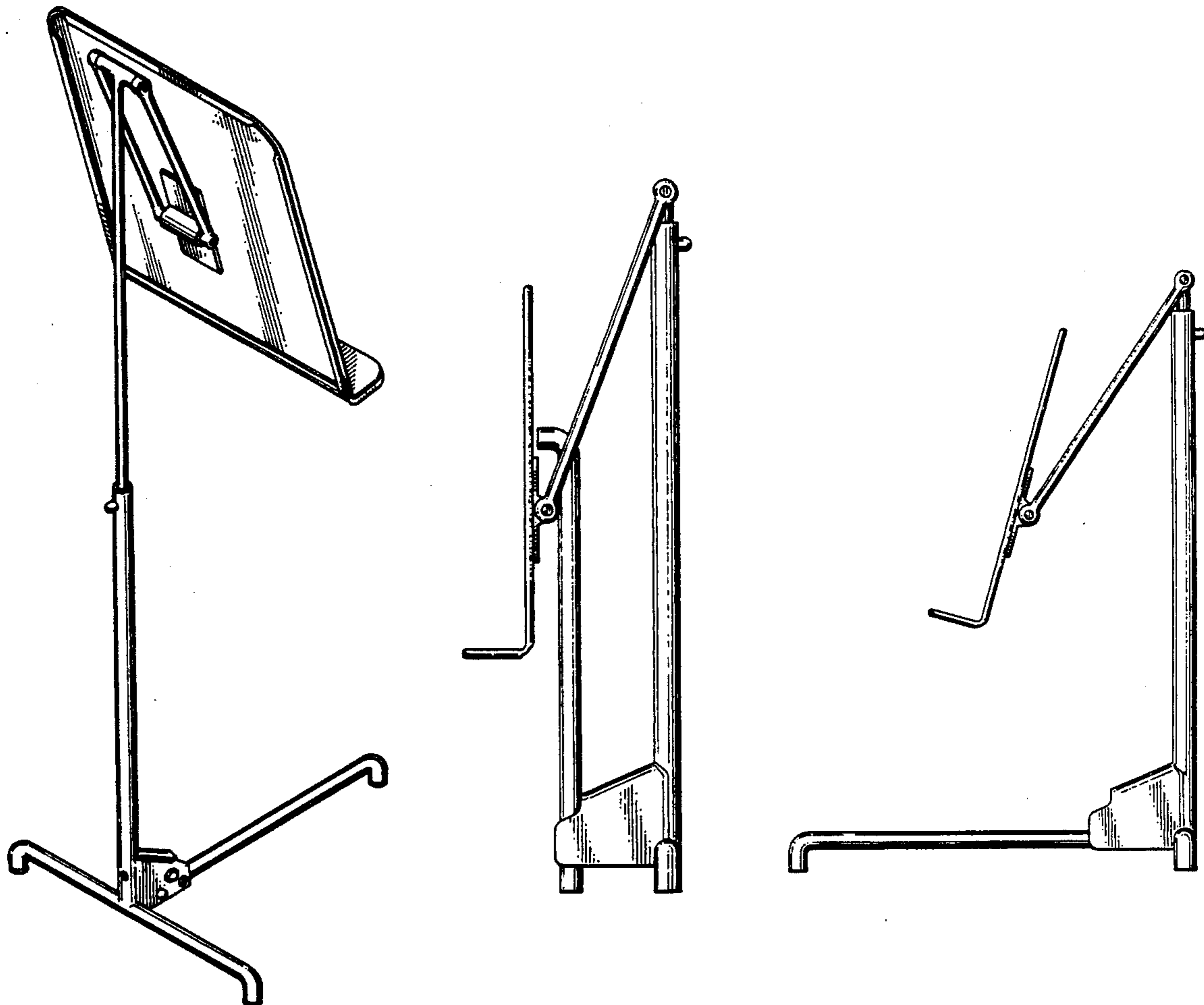
Primary Examiner—Carmen H. Vales-Lado  
Attorney, Agent, or Firm—Dorsey & Whitney

[57] CLAIM

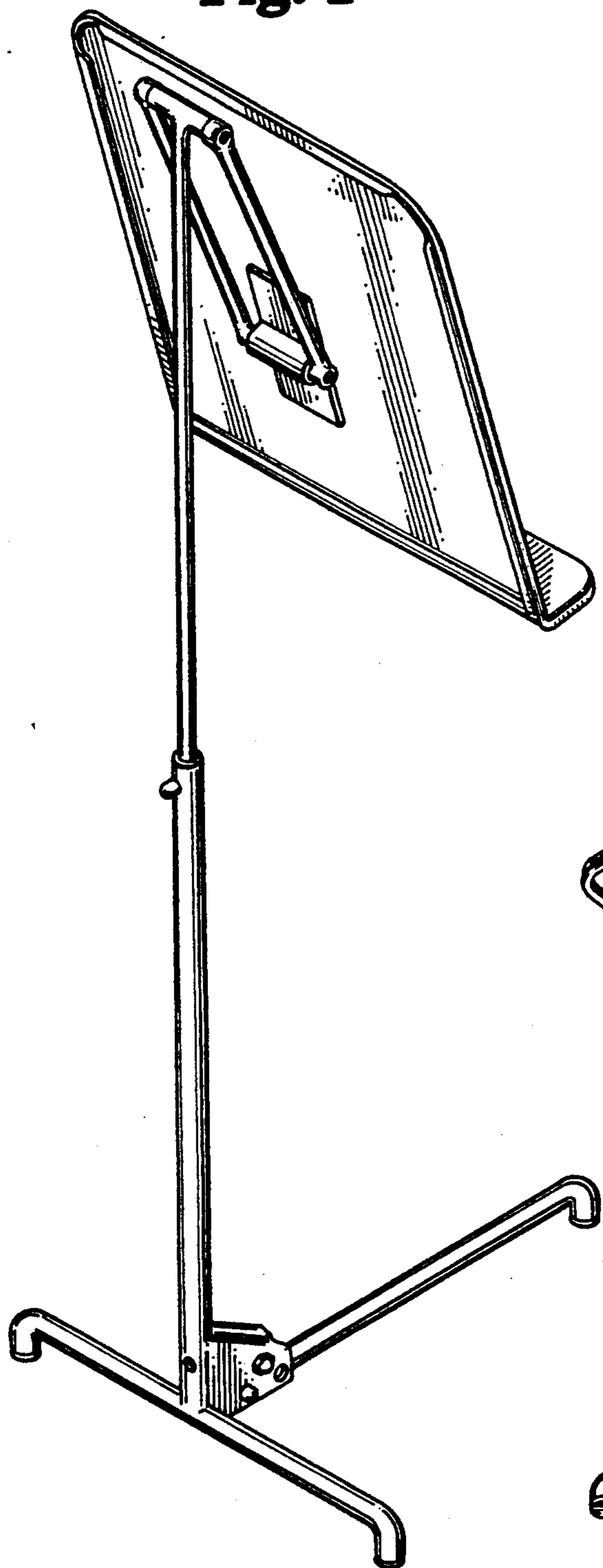
The ornamental design for a collapsible music stand, as shown and described.

DESCRIPTION

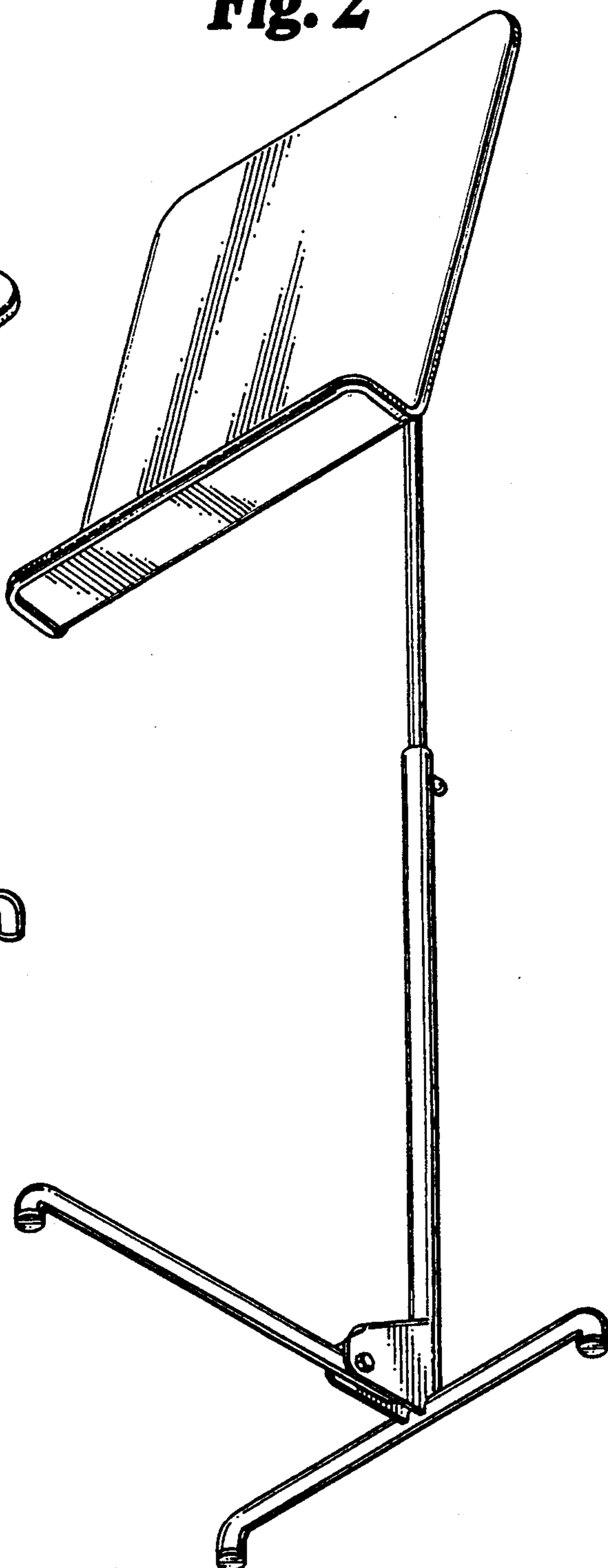
FIG. 1 is a front perspective view of a collapsible music stand showing our new design; FIG. 2 is a rear elevational view thereof; FIG. 3 is a side elevational view in a semicollapsed condition; FIG. 4 is a side elevational view in collapsed condition; and FIG. 5 is a side elevational view in an alternate collapsed condition.



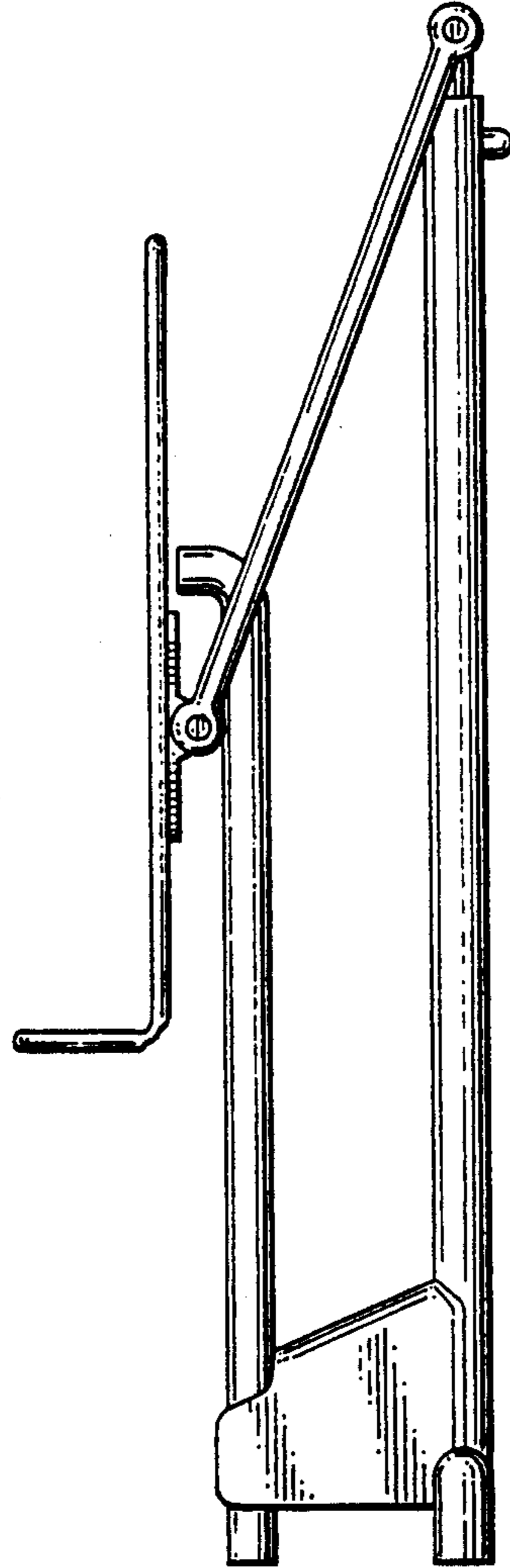
**Fig. 1**



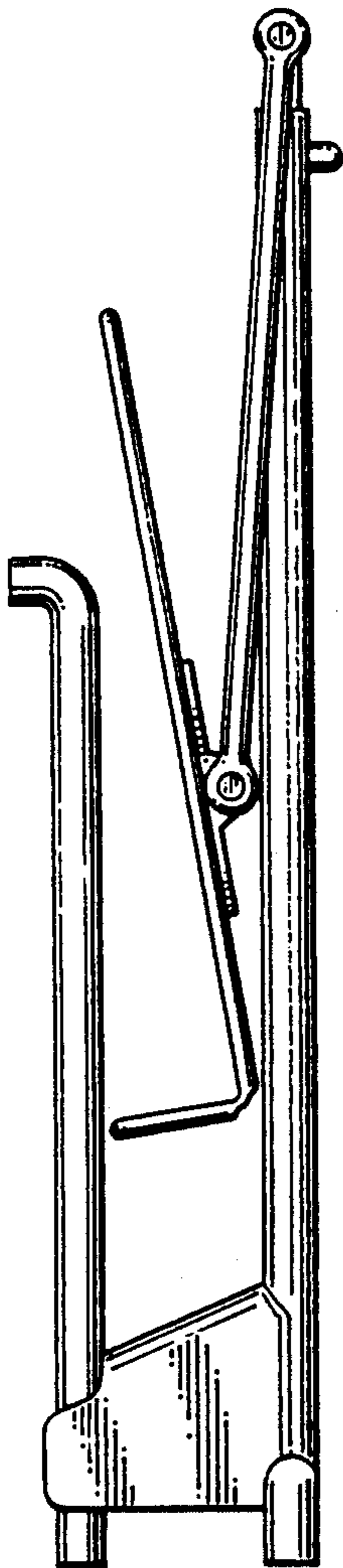
**Fig. 2**



**Fig. 4**



**Fig. 5**



**Fig. 3**

