

# United States Patent [19]

Camacho

[11] Patent Number: Des. 314,868

[45] Date of Patent: \*\* Feb. 26, 1991

[54] SEAT

[75] Inventor: Jeffrey F. Camacho, Naperville, Ill.

[73] Assignee: Artifax Design International Corporation, Lombard, Ill.

[\*\*] Term: 14 Years

[21] Appl. No.: 118,966

[22] Filed: Nov. 10, 1987

[52] U.S. Cl. .... D6/334

[58] Field of Search ..... D6/374, 339, 334, 333

[56] References Cited

## U.S. PATENT DOCUMENTS

D. 141,774 7/1945 Belz ..... D6/334  
D. 230,787 3/1974 Smith ..... D6/334  
D. 256,200 8/1980 Radford, Sr. .... D6/334  
D. 264,788 6/1982 Blanchard ..... D6/333

D. 266,044 9/1982 Blanchard ..... D6/333

D. 281,655 12/1985 Carter ..... D6/334

D. 282,423 2/1986 Carter ..... D6/334

*Primary Examiner*—Bruce W. Dunkins

*Assistant Examiner*—J. H. Musgrove

*Attorney, Agent, or Firm*—Dressler, Goldsmith, Shore, Sutker & Milnamow, Ltd.

[57] CLAIM

The ornamental design for a seat, as shown and described.

## DESCRIPTION

FIG. 1 is a perspective view of a seat showing my new design;

FIG. 2 is a left side elevational view, the opposite side being a mirror image thereof;

FIG. 3 is a front elevational view; and

FIG. 4 is a top plan view thereof.

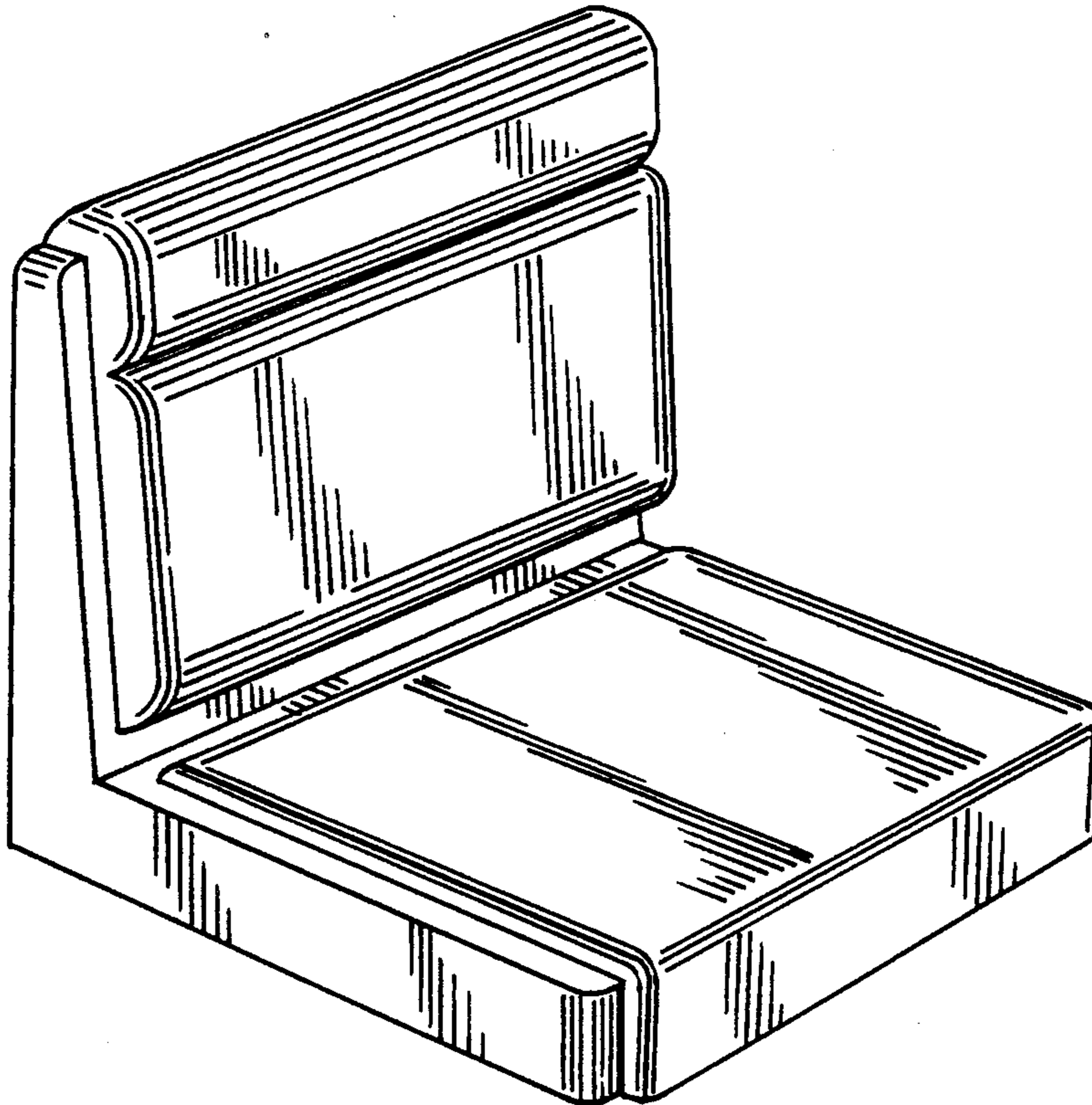


FIG-4-

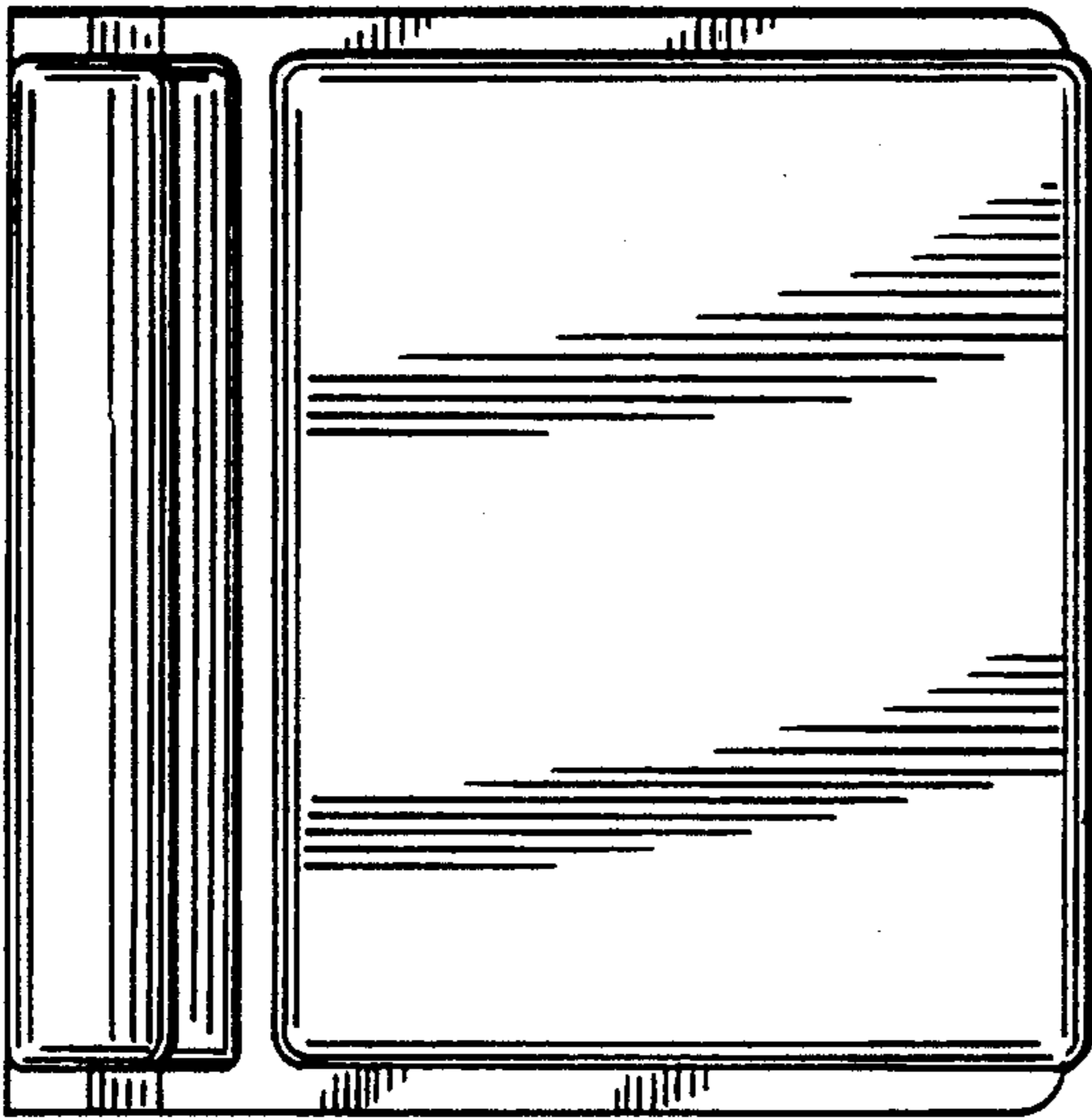


FIG-3-

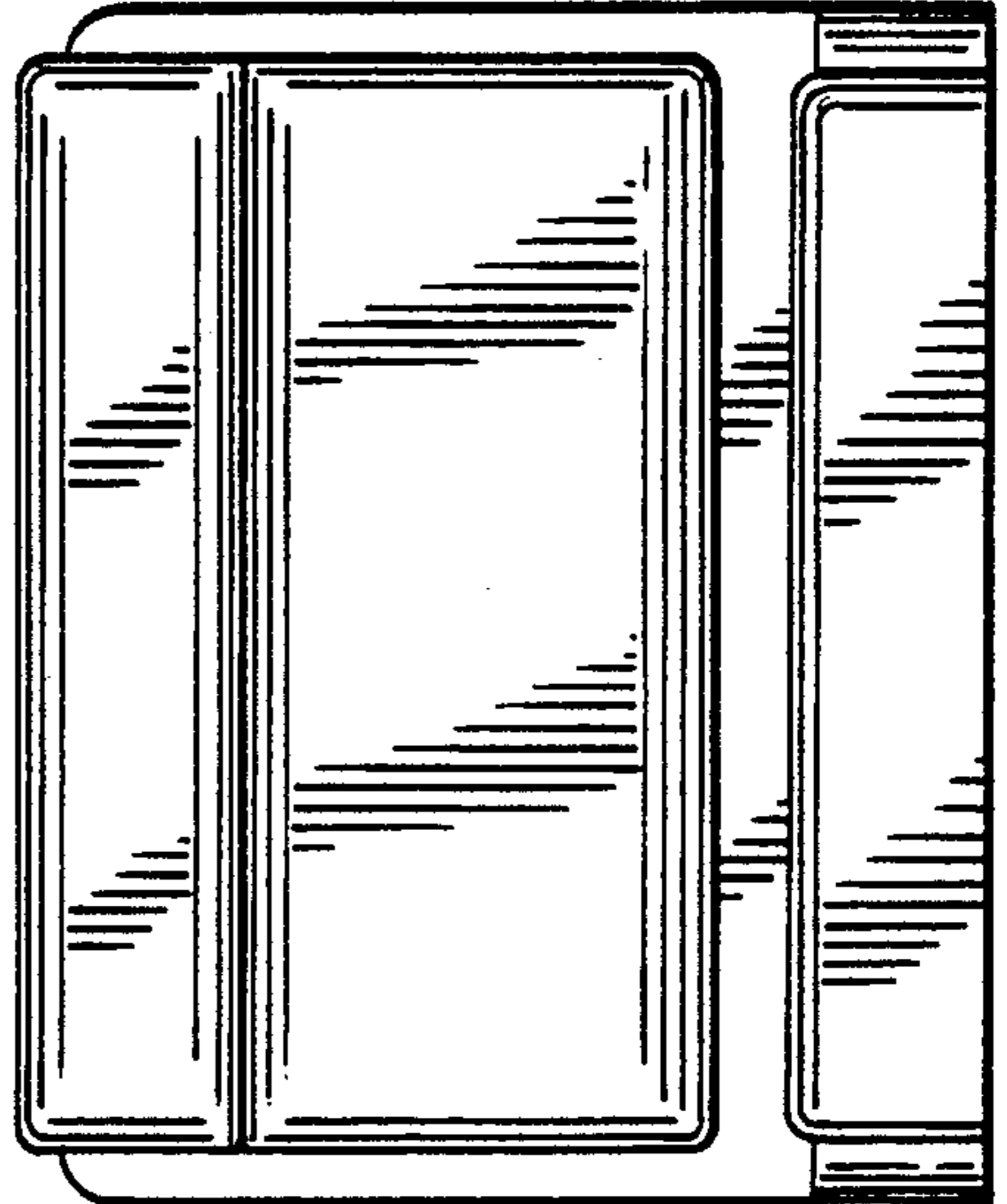


FIG-1-

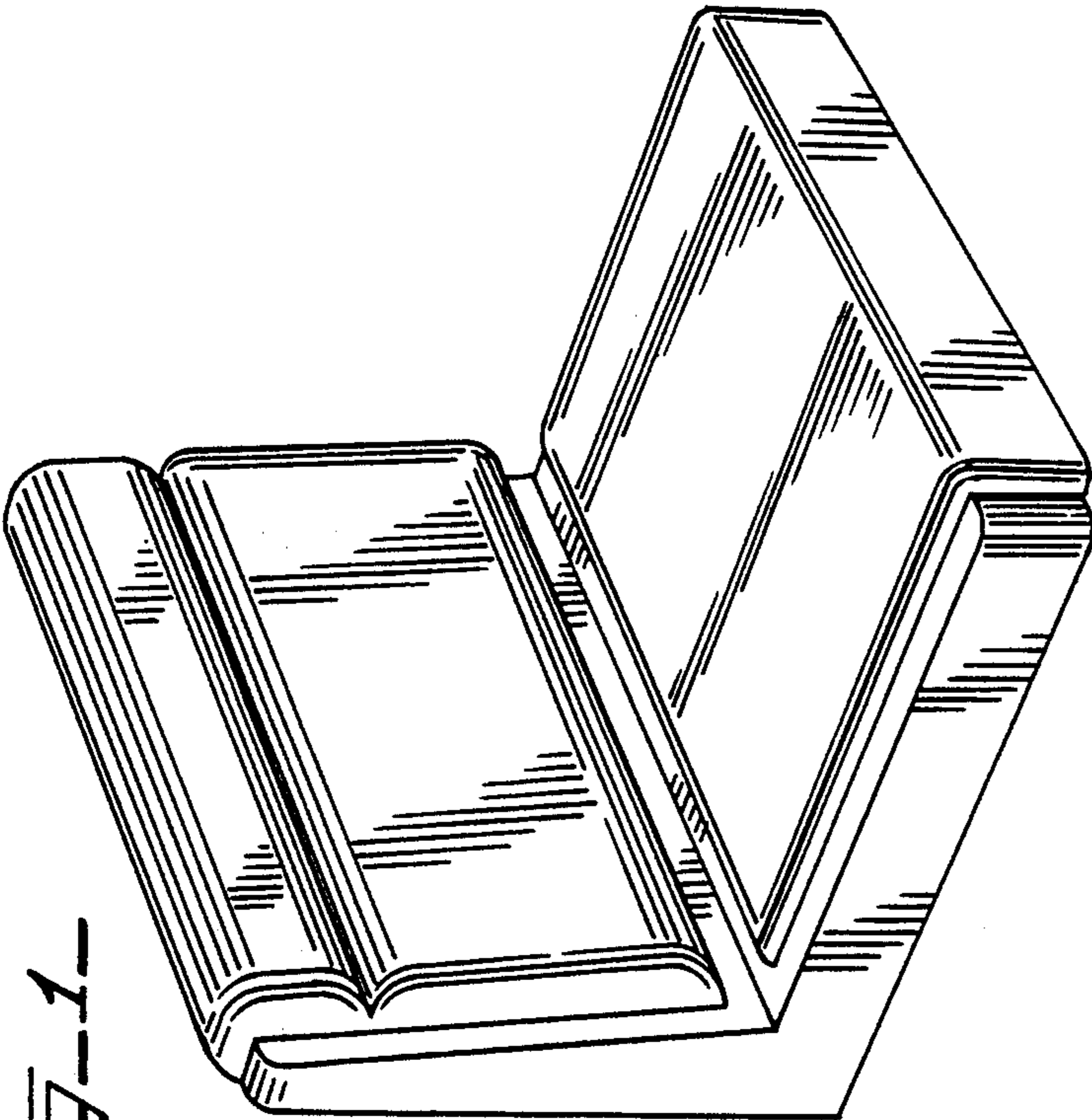


FIG-2-

