

United States Patent [19]

Tuisku

[11] Patent Number: **Des. 314,865**

[45] Date of Patent: **** Feb. 26, 1991**

[54] **CREDIT CARD CASE**

[75] Inventor: **Jaakko Tuisku, Kauhajoki, Finland**

[73] Assignee: **Kauhajoen Mainostuote Oy, Finland**

[**] Term: **14 Years**

[21] Appl. No.: **141,465**

[22] Filed: **Jan. 6, 1988**

[52] U.S. Cl. **D3/56; D3/60**

[58] Field of Search **D3/56-60;**
D19/9, 10, 75; D21/54, 55, 57; 150/131, 132,
138, 143-149; D20/43

[56] **References Cited**

U.S. PATENT DOCUMENTS

D. 168,398 12/1952 Gazan, Jr. D3/56
D. 187,240 2/1960 Harkins D3/56
D. 189,333 11/1960 Hayden D3/56

D. 209,035 10/1967 Robert D3/56 X
D. 274,065 5/1984 Goutchat D3/56 X
4,141,400 2/1979 Mangan D3/56 X

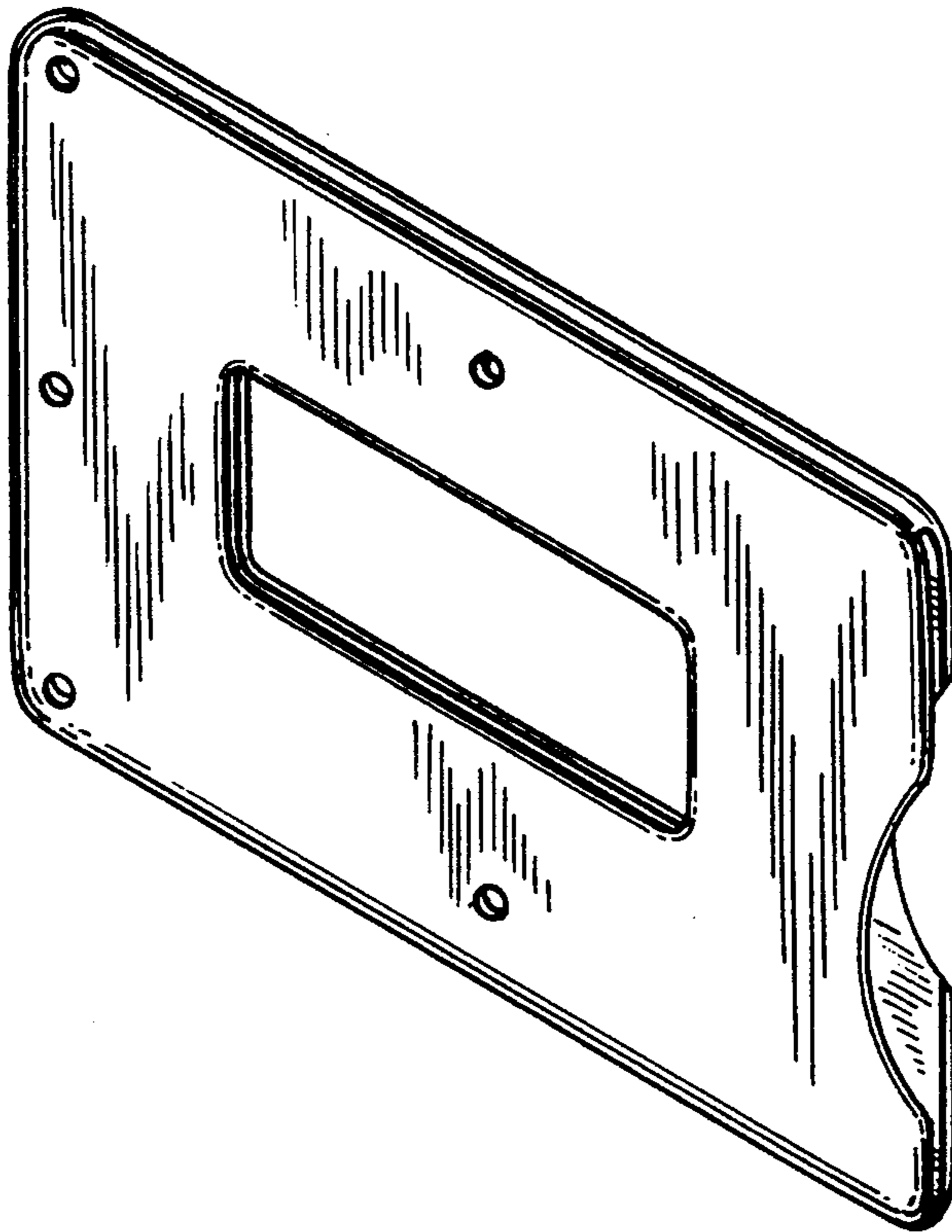
Primary Examiner—Louis S. Zarfes
Attorney, Agent, or Firm—Steinberg & Raskin

[57] **CLAIM**

The ornamental design for a credit card case, as shown and described.

DESCRIPTION

FIG. 1 is a front perspective view of a credit card case showing my new design;
FIG. 2 is a rear elevational view thereof;
FIG. 3 is a top plan view of the credit card case as shown in FIG. 2;
FIG. 4 is a right elevational view thereof as shown in FIG. 1; and
FIG. 5 is a left side elevational view thereof as shown in FIG. 1.



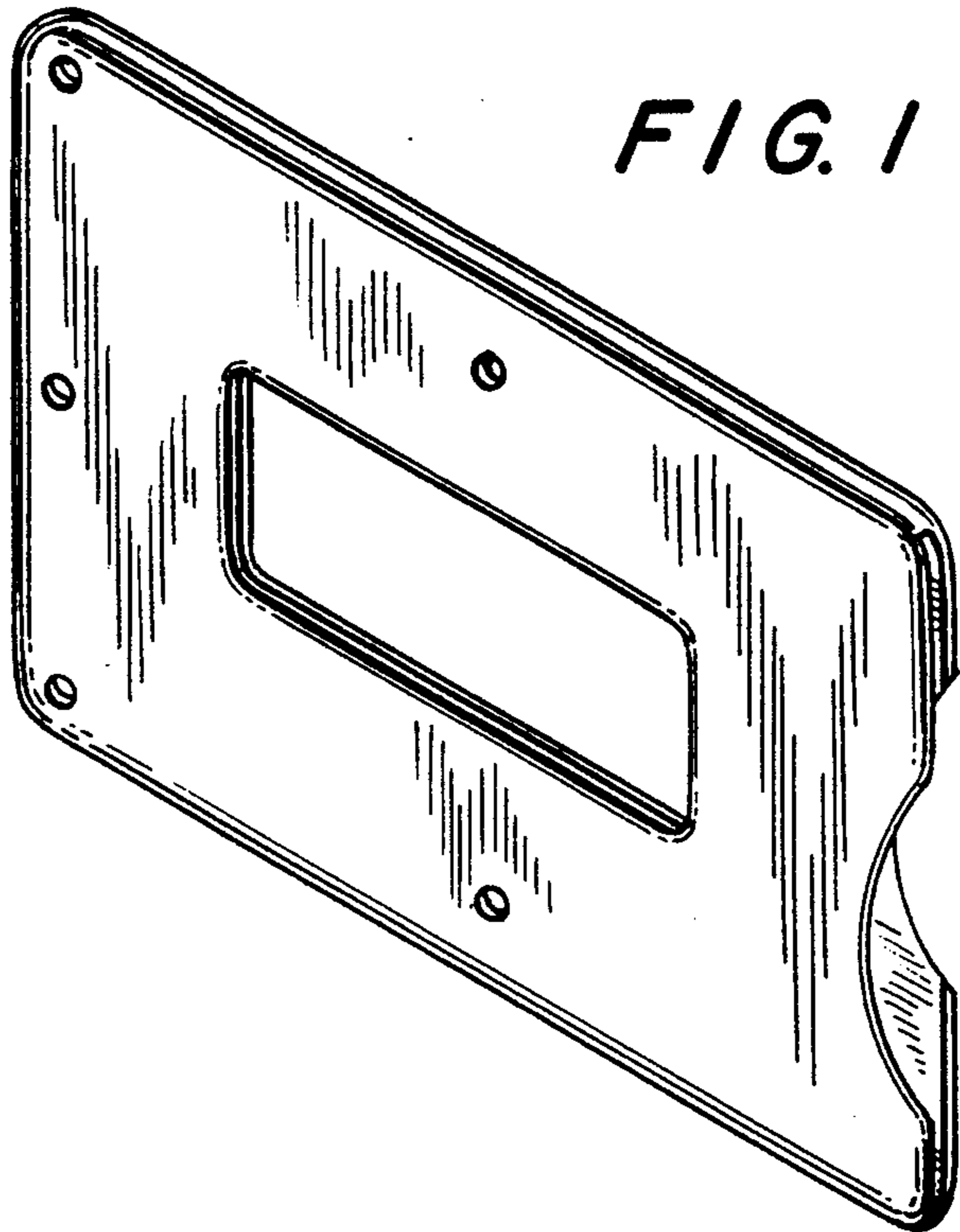


FIG. 1

FIG. 2

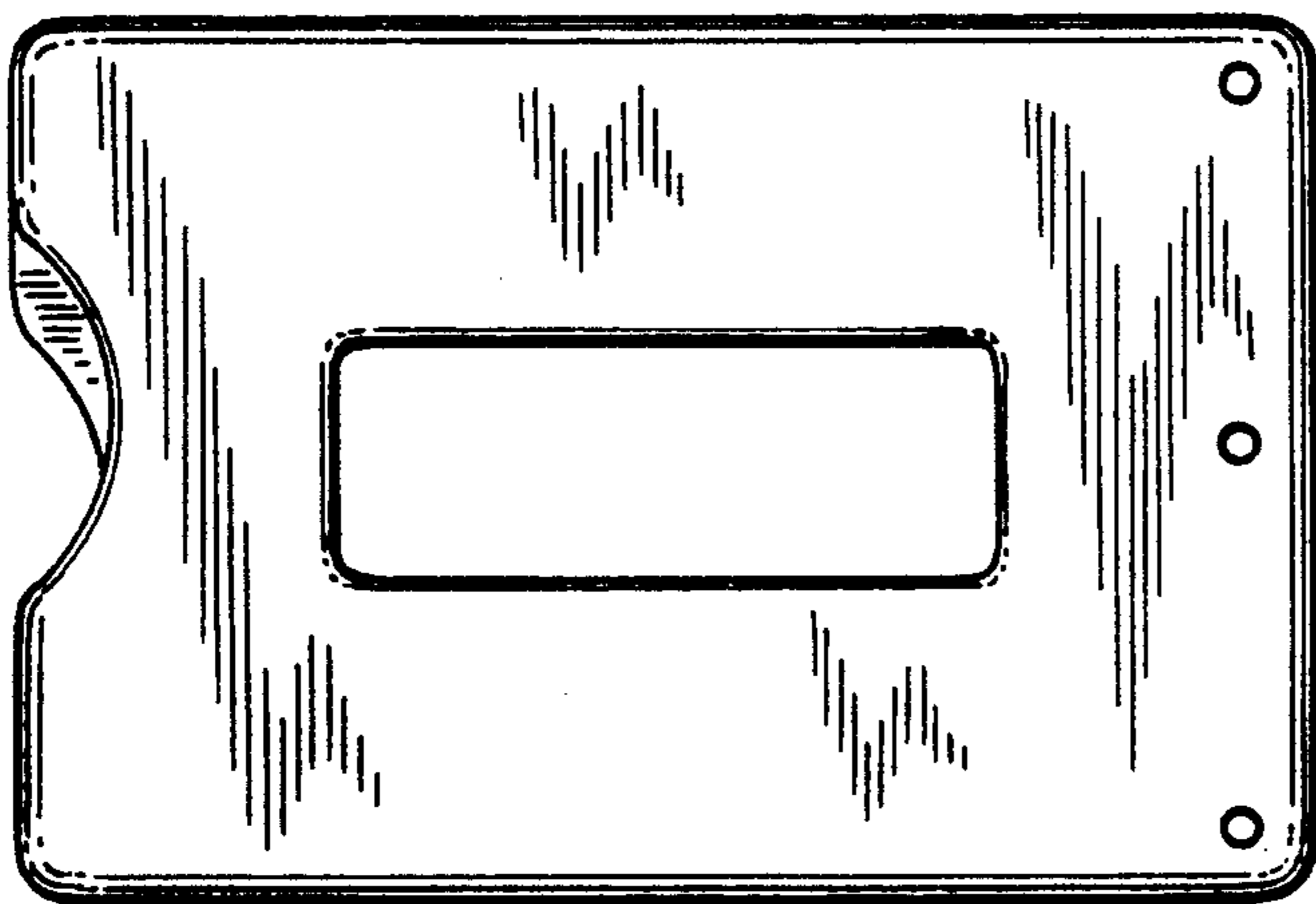


FIG. 3



FIG. 4



FIG. 5

