

[54] **CONTAINER FOR DISKS**
 [75] **Inventor: Peter A. Ackeret, Kusunacht, Switzerland**
 [73] **Assignee: IDN Inventions and Development of Novelties AG, Chur, Switzerland**
 [**] **Term: 14 Years**
 [21] **Appl. No.: 534,665**
 [22] **Filed: Jun. 7, 1990**

3,642,337	2/1972	Manheim	312/111
3,685,684	8/1972	Schindler et al.	220/60 R
3,743,374	7/1973	Glass	312/319
3,763,994	10/1973	Somers	206/1 R
3,836,222	9/1974	Kuntze	312/319
3,899,229	8/1975	Ackeret	312/319
3,904,259	9/1975	Hoffmann et al.	312/111
3,909,088	9/1975	Dennehey et al.	312/12
4,162,112	7/1979	Konkler	312/15
4,275,943	6/1981	Gelardi et al.	312/319
4,339,162	7/1982	Gelardi et al.	312/10
4,399,913	8/1983	Gelardi et al.	206/387
4,426,056	1/1984	Gelardi et al.	248/225.1
4,828,341	5/1989	Bohnet et al.	312/12

Related U.S. Application Data

[62] Division of Ser. No. 935,579, Nov. 26, 1986.

Foreign Application Priority Data

May 30, 1986 [WO] World Int. Prop. O. DM/006989
 [52] **U.S. Cl. D3/35**
 [58] **Field of Search D3/30.1, 35; D6/432, D6/407, 445, 446, 448; D19/65, 75, 100; 29/76.1; 206/387, 309, 310, 317**

References Cited

U.S. PATENT DOCUMENTS

D. 229,585	12/1973	Singleton	D87/1 D
D. 238,401	1/1976	Ackeret	D87/1 D
D. 258,023	1/1981	Ackeret	D3/35
D. 258,024	1/1981	Ackeret	D3/35
D. 258,025	1/1981	Ackeret	D3/35
D. 258,026	1/1981	Ackeret	D3/35
D. 258,848	4/1981	Ackeret	D3/35
D. 258,849	4/1981	Ackeret	D3/35
D. 259,303	5/1981	Ackeret	D3/35
D. 259,676	6/1981	Ackeret	D3/35
D. 260,051	8/1981	Ackeret	D3/35
D. 276,574	12/1984	Ackeret	D6/407
3,272,325	9/1966	Schoenmakers	206/52
3,506,321	4/1970	Hampel	312/107
3,532,211	10/1970	Gellert	206/52
3,638,788	2/1972	Solomon	206/52

FOREIGN PATENT DOCUMENTS

0086275	8/1983	European Pat. Off.
2248408	1/1974	Fed. Rep. of Germany

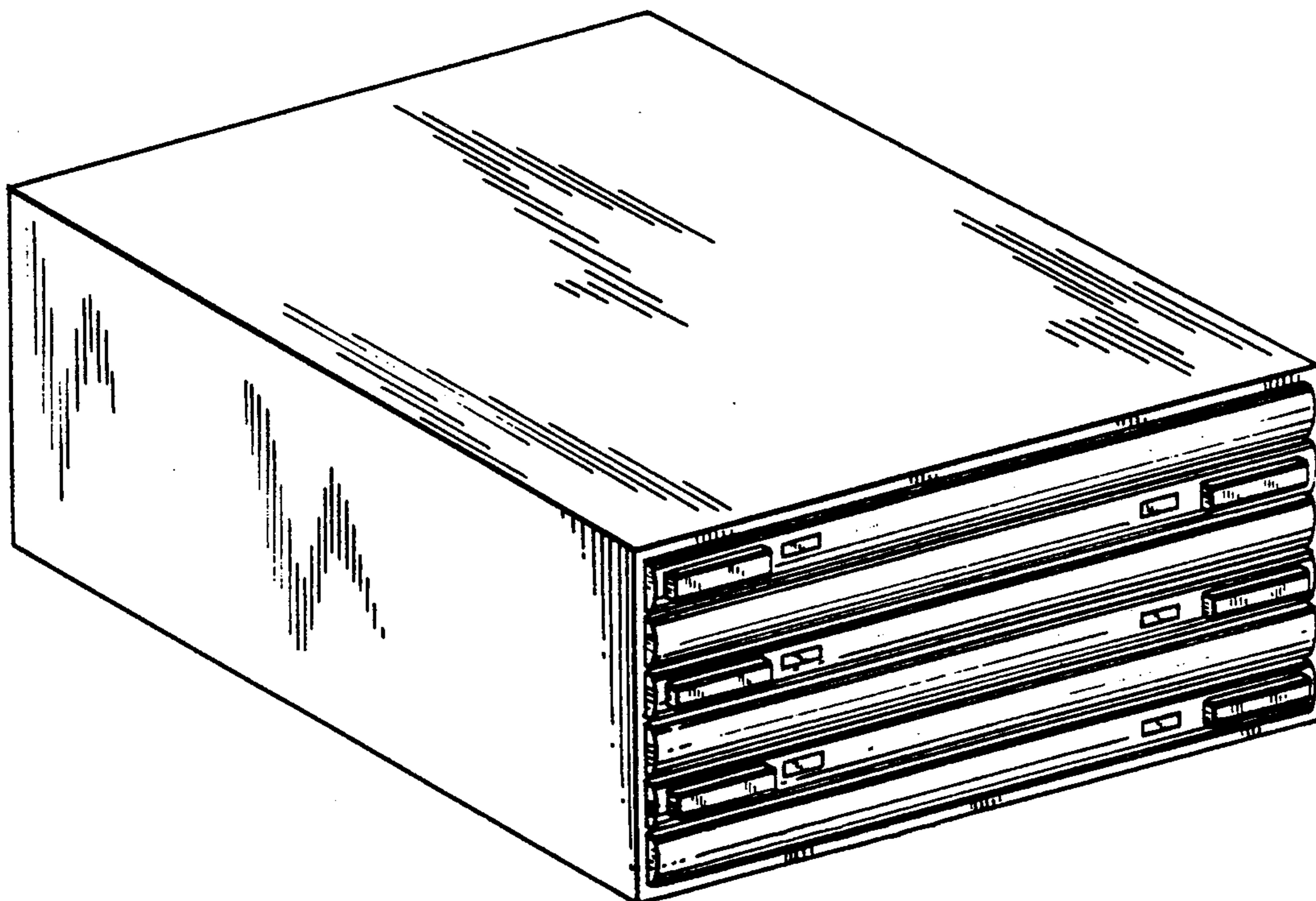
Primary Examiner—Nelson C. Holtje
Assistant Examiner—Antoine D. Davis
Attorney, Agent, or Firm—Robert R. Jackson

[57] **CLAIM**

The ornamental design for a container for disks, as shown and described.

DESCRIPTION

FIG. 1 is a top, front, and left side elevational view of a container for disks showing my new design;
 FIG. 2 is a front elevational view, the rear elevational view being flat, plain, and unornamented;
 FIG. 3 is a left side elevational view, the right side elevational view being a mirror image;
 FIG. 4 is a bottom plan view;
 FIG. 5 is a top, front, and left side elevational view of a second embodiment of FIGS. 1-4, the bottom plan view being identical to FIG. 4;
 FIG. 6 is a front elevational view, the rear elevational view being flat, plain, and unornamented; and
 FIG. 7 is a left side elevational view, the right side elevational view being a mirror image.



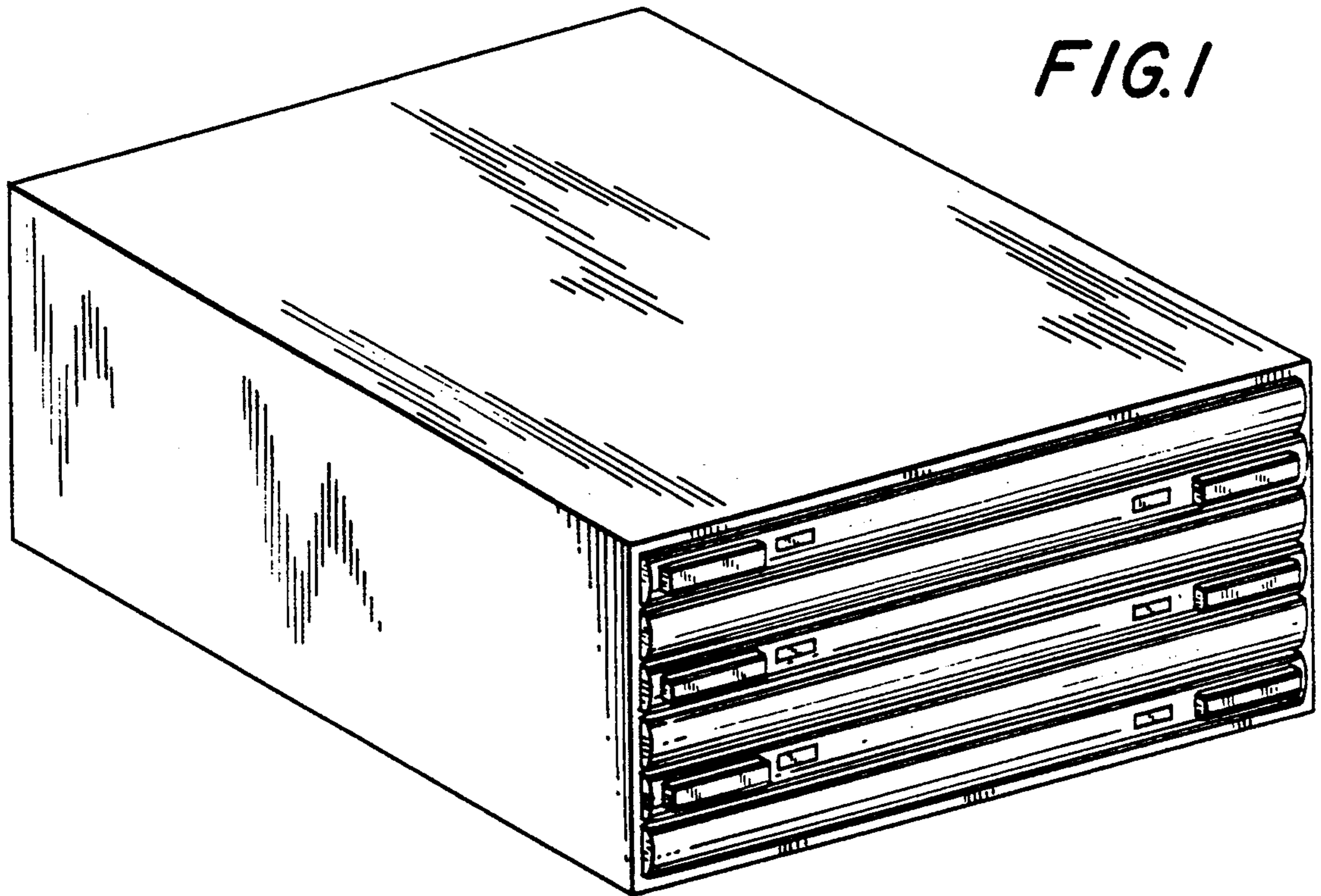


FIG. 2

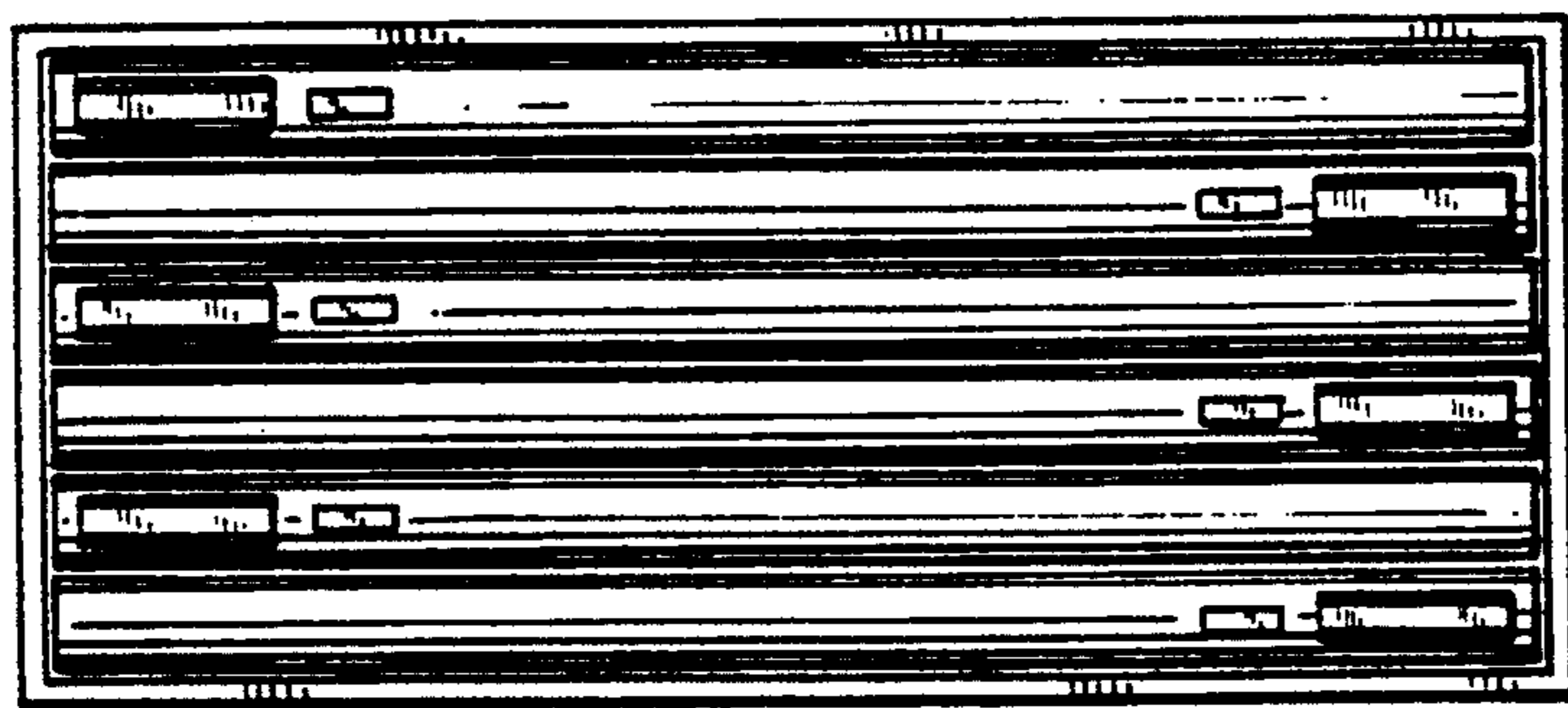


FIG. 3

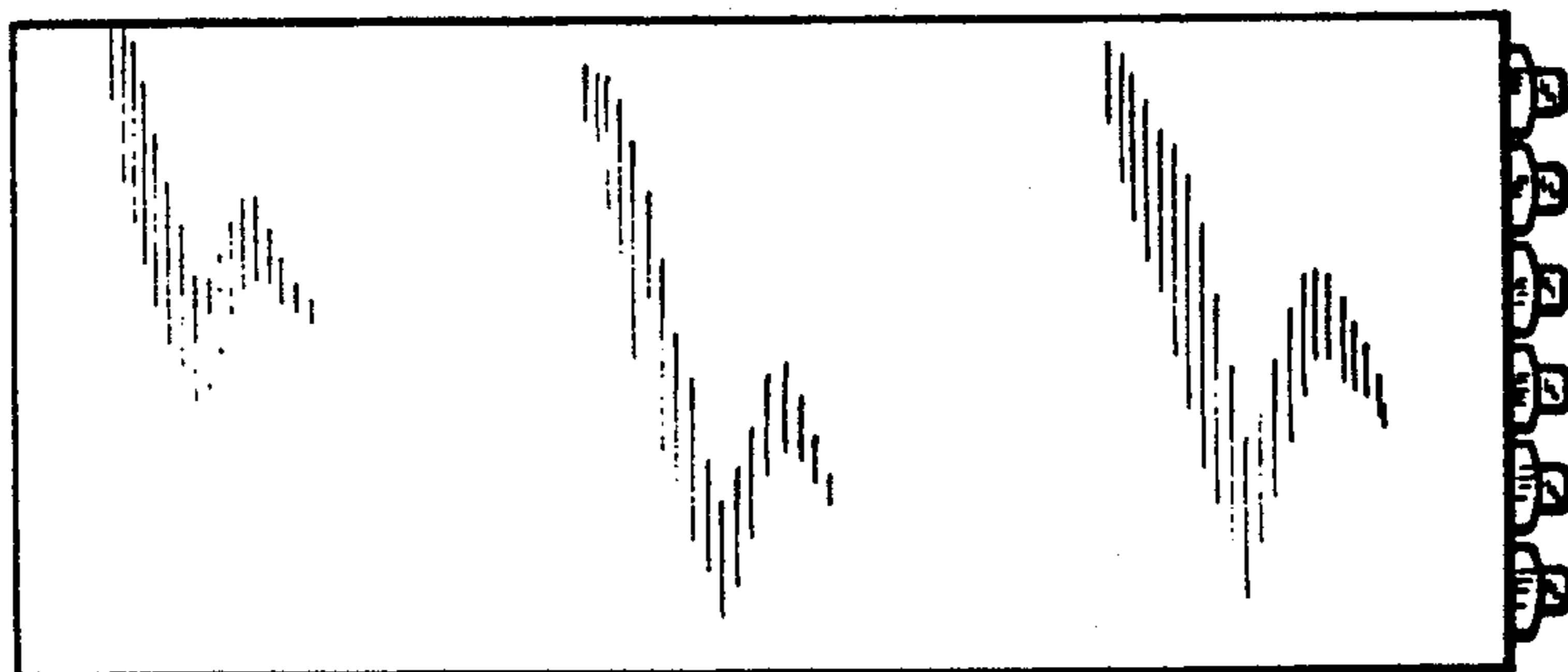
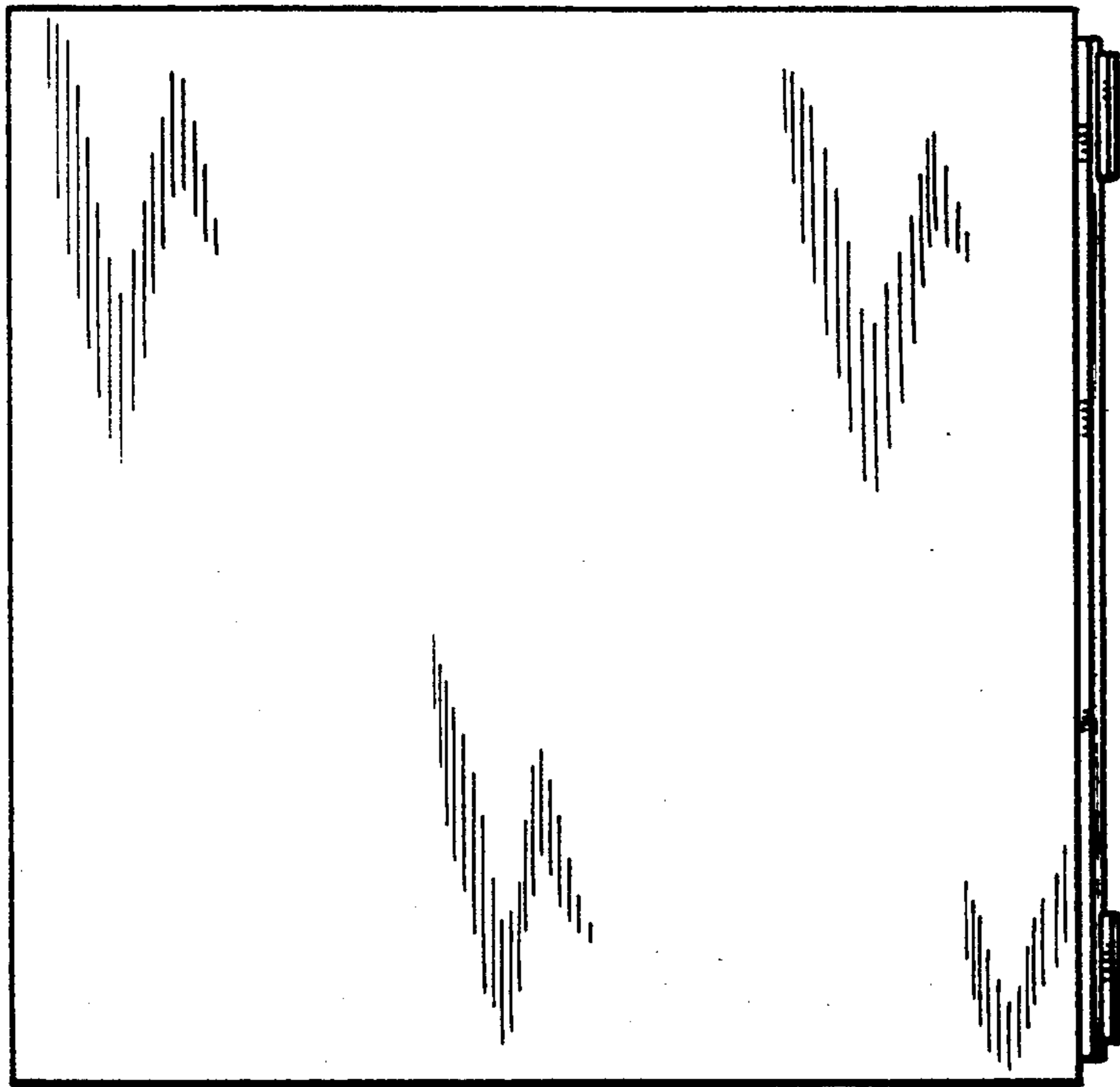


FIG. 4



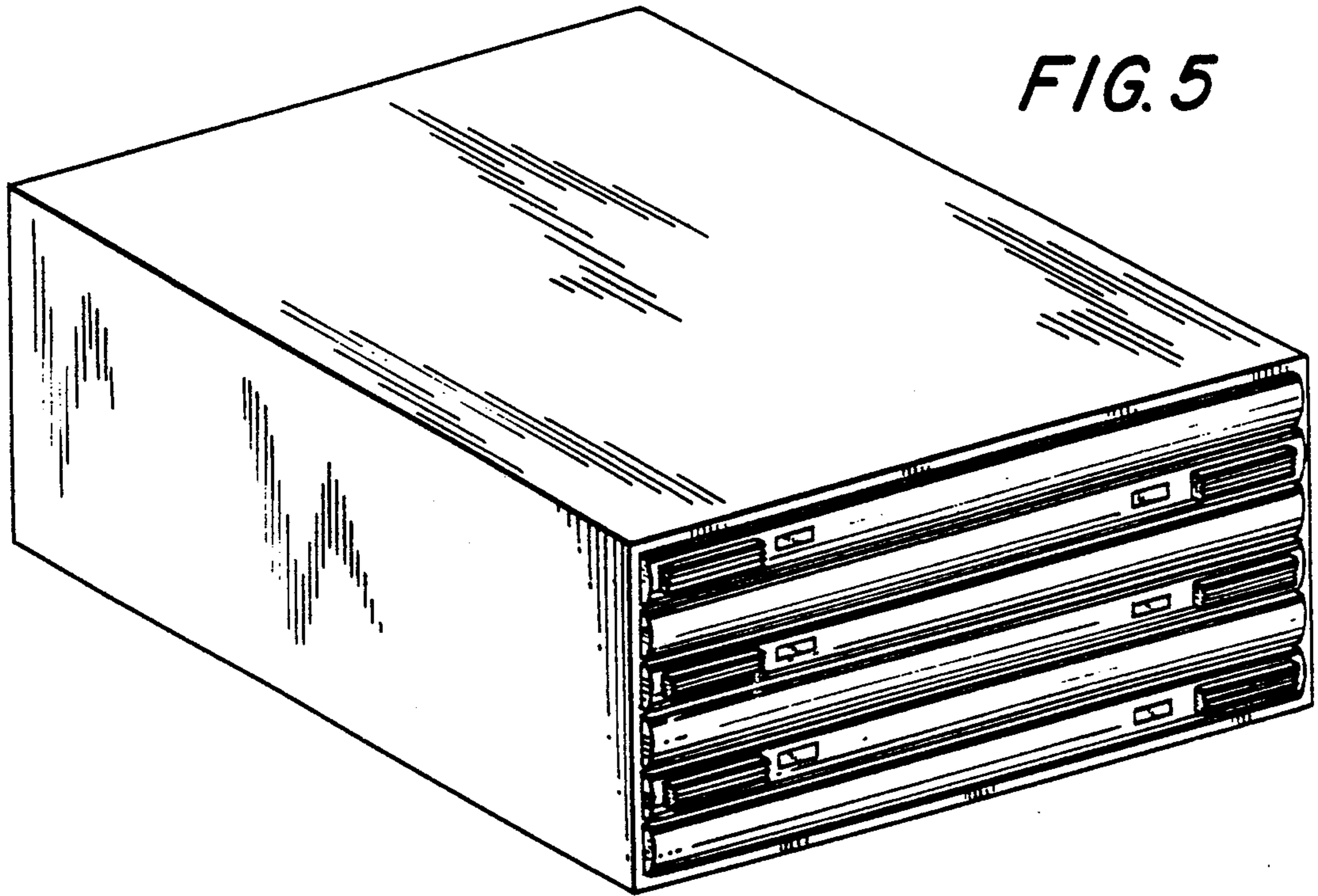


FIG. 6

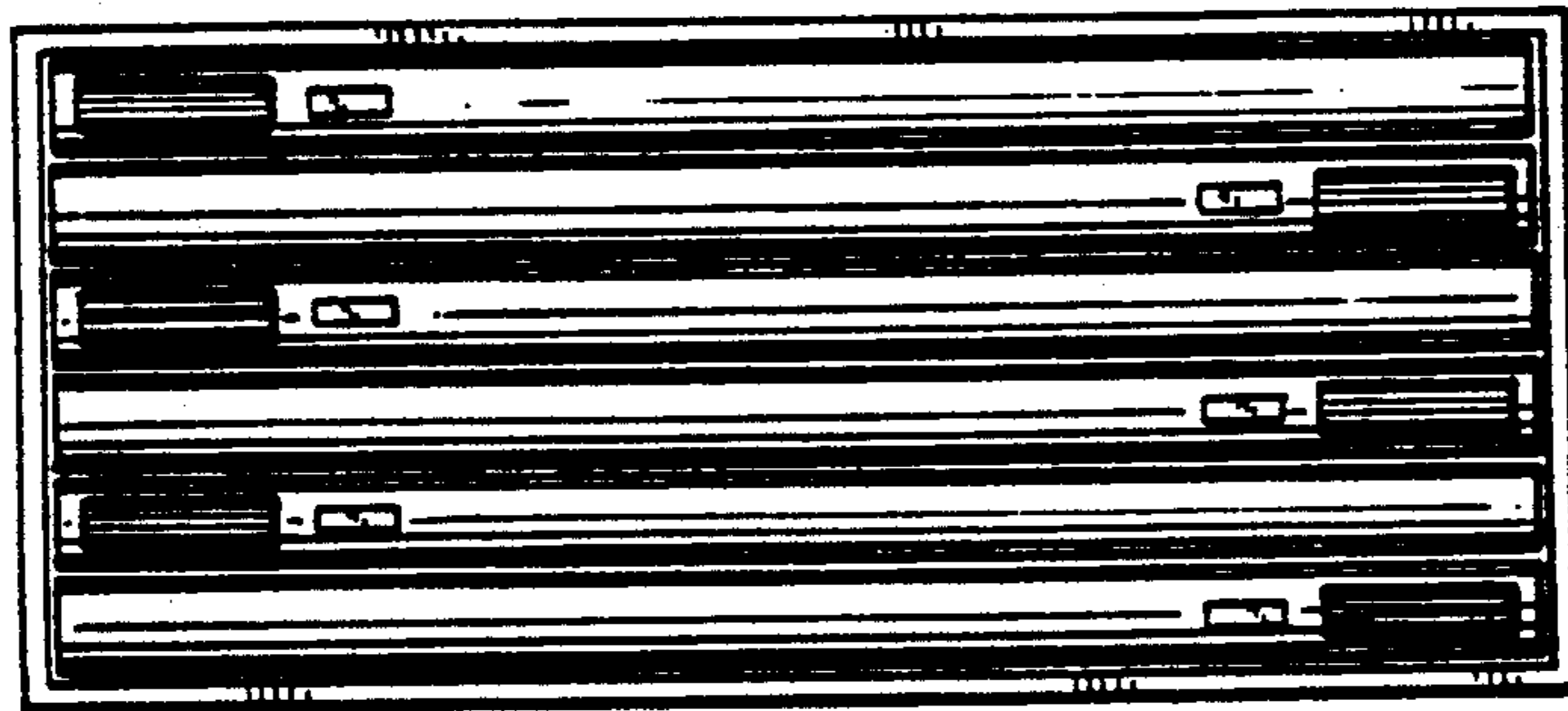


FIG. 7

