

[54] **SEWING ACCESSORY HOLDER**
[76] **Inventor: Lloyd W. Austin, 1838 Lakeside,
Bellingham, Wash. 98226**
[**] **Term: 14 Years**
[21] **Appl. No.: 5,139**
[22] **Filed: Jan. 20, 1987**
[52] **U.S. Cl. D3/25**
[58] **Field of Search D3/18, 20-29;
D9/303; 206/227, 380, 388, 574; 66/116-118;
38/102.2; 223/106-109 A, 111, 120, 99;
D15/66, 78**

[56] **References Cited**
U.S. PATENT DOCUMENTS
D. 39,754 1/1909 Foley D3/25
D. 46,137 7/1914 Reist D3/26

D. 142,903 11/1945 Owens D3/26
Primary Examiner—Louis S. Zarfes
Attorney, Agent, or Firm—Hughes & Multer

[57] **CLAIM**
The ornamental design for a sewing accessory holder,
as shown and described.

DESCRIPTION
FIG. 1 is an isometric view of a sewing accessory holder showing my new design;
FIG. 2 is a top plan view thereof;
FIG. 3 is a front elevational view thereof;
FIG. 4 is a side elevational view looking at the left side of the holder;
FIG. 5 is a side elevational view looking at the right side of the holder; and
FIG. 6 is a bottom plan view.

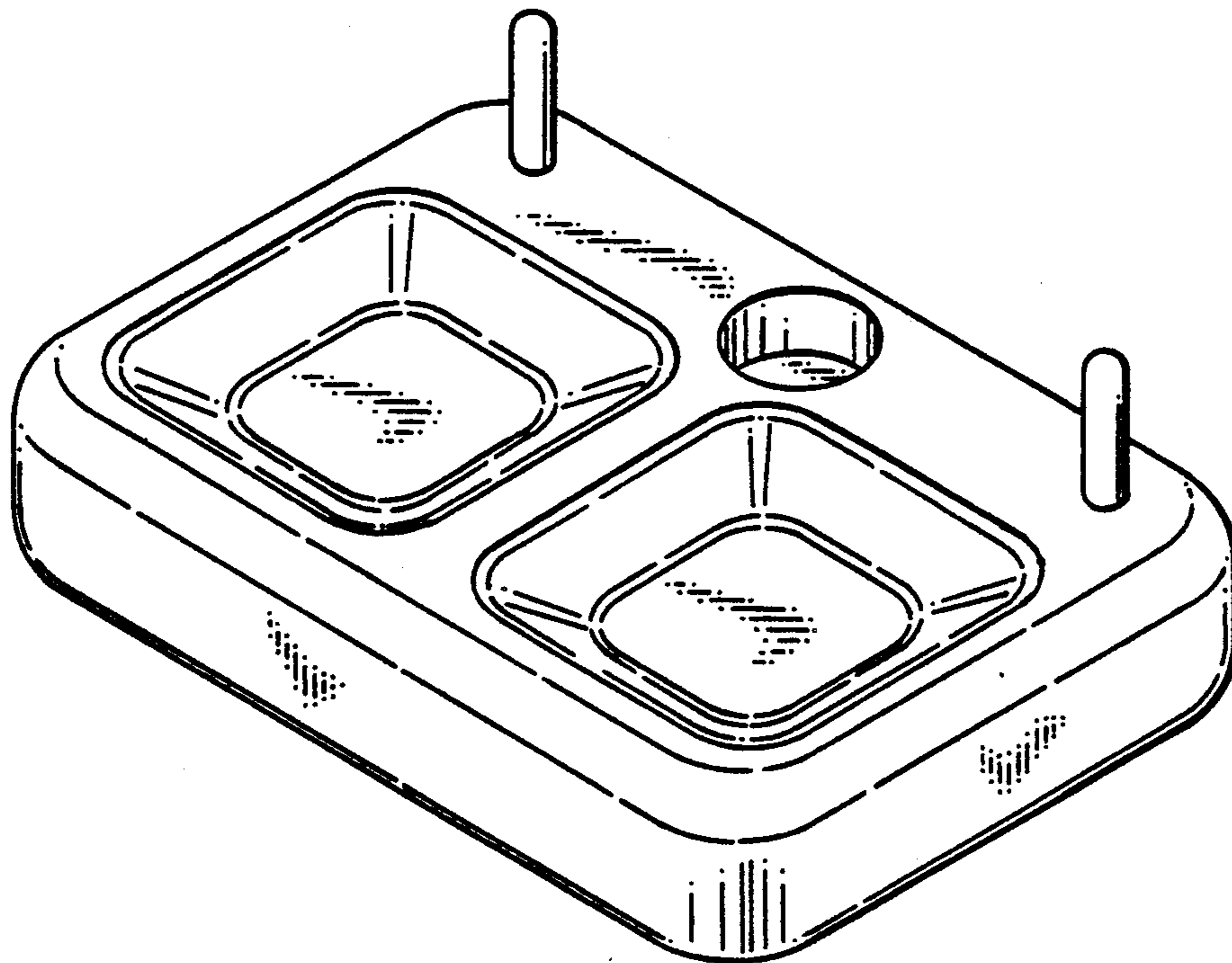


FIG. 1

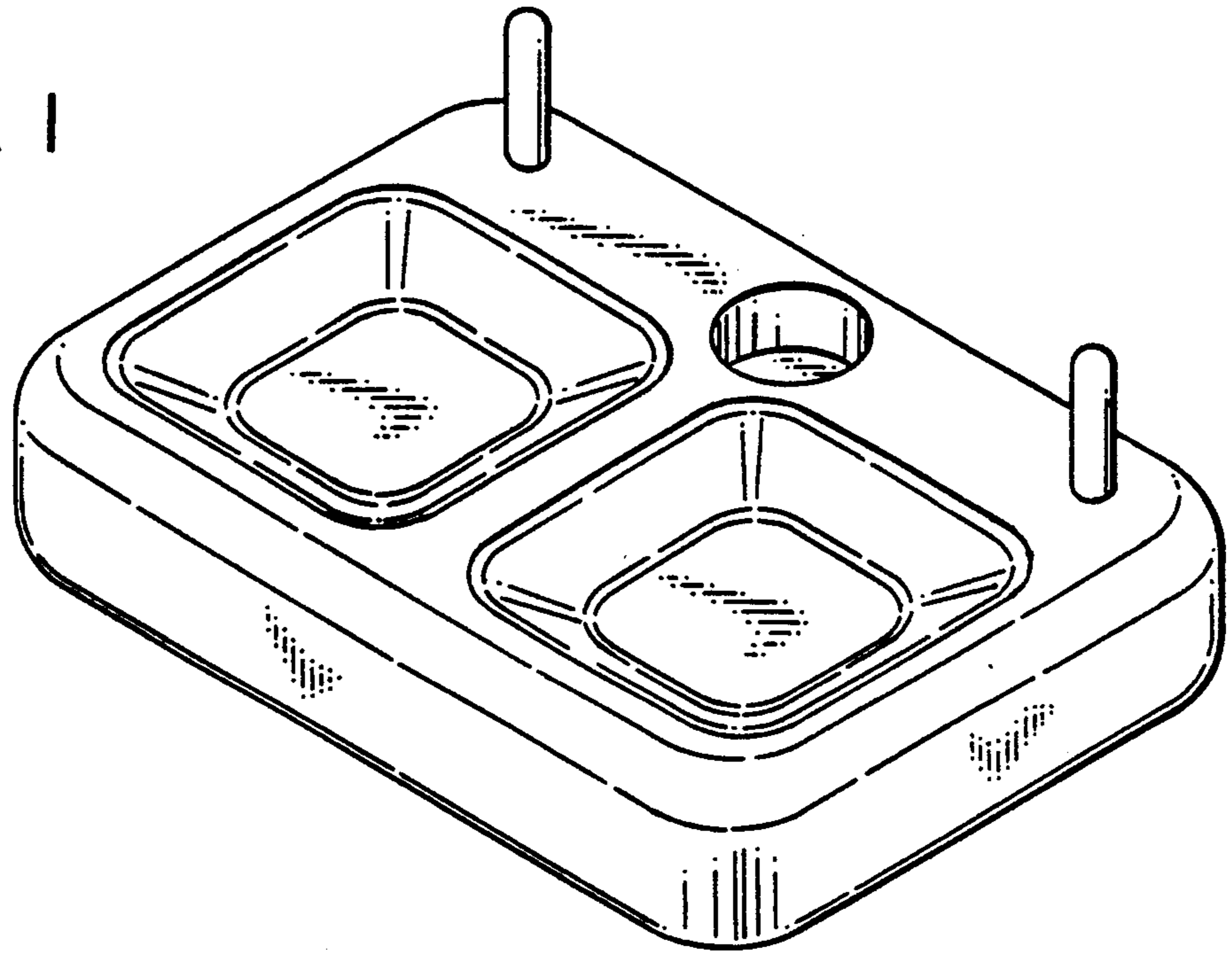


FIG. 2

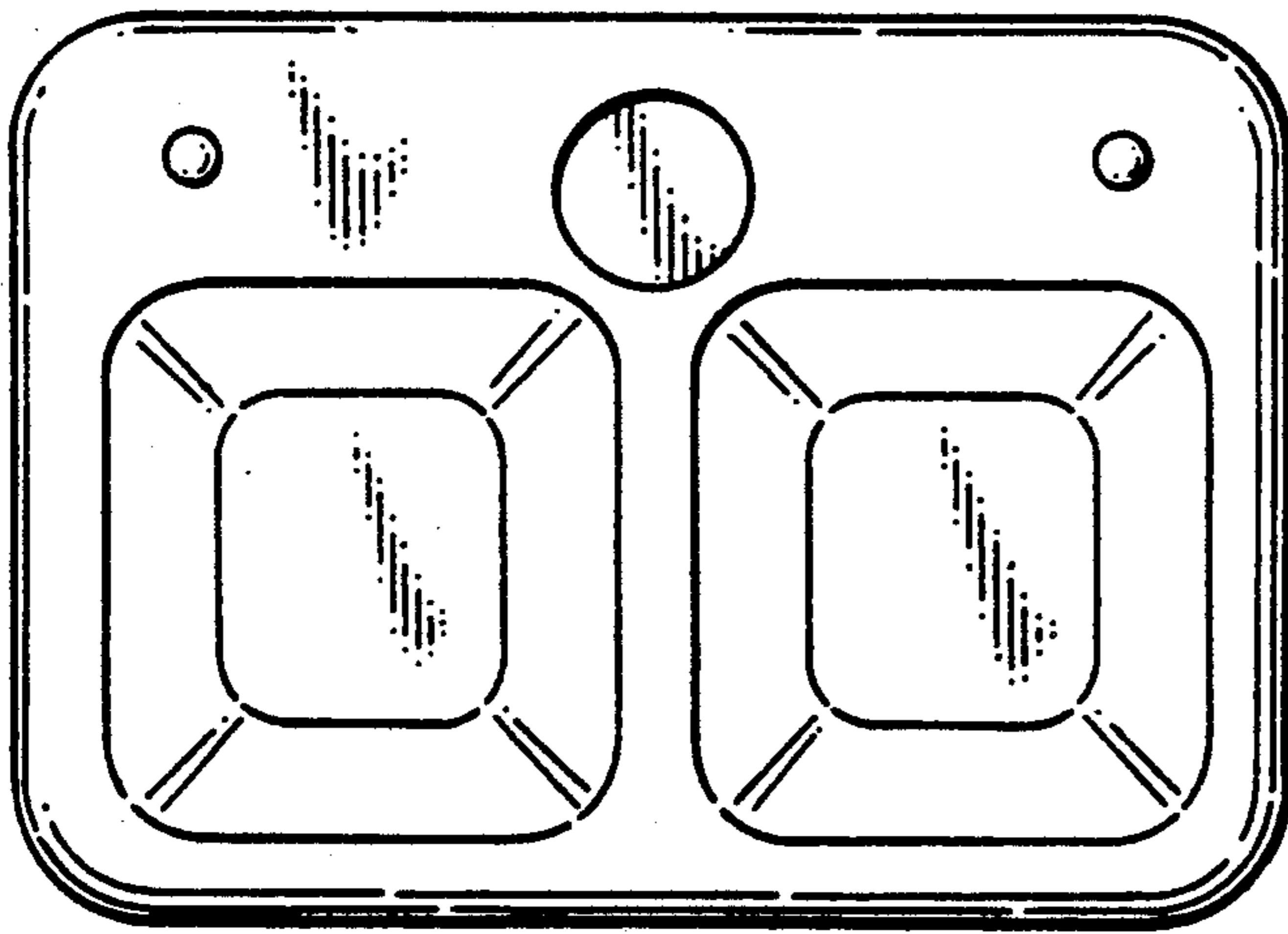


FIG. 3





FIG. 4



FIG. 5

FIG. 6

