

[54] GINGERBREAD HOUSE

2,775,523 12/1956 Green .
4,431,395 2/1984 Babos .

[76] Inventor: Paula C. Brown, 14857 Olympic View Loop Rd., Silverdale, Wash. 98383

FOREIGN PATENT DOCUMENTS

2703900 8/1978 Fed. Rep. of Germany 426/104

[**] Term: 14 Years

OTHER PUBLICATIONS

[21] Appl. No.: 179,897

McCalls magazine, Dec. 1988, Gingerbread House on lower half of page.

[22] Filed: Apr. 7, 1988

Primary Examiner—Wallace R. Burke
Assistant Examiner—Pamela J. Schmidt
Attorney, Agent, or Firm—Bruce A. Kaser

[52] U.S. Cl. D1/106; D25/7; D21/114

[58] Field of Search D1/128, 127, 106, 128, D1/129, 199; 426/514, 808, 499, 446, 439, 391, 565, 556, 552, 95, 101, 104, 134, 139, 143, 283, 138, 84; D7/509; D25/7; D21/115, 114

[57] CLAIM

The ornamental design for a gingerbread house, as shown.

[56] References Cited

DESCRIPTION

U.S. PATENT DOCUMENTS

D. 245,640 8/1977 Powell, Jr. D21/114
986,186 3/1911 Hartman .

FIG. 1 is a front perspective view of a gingerbread house showing my new design; and FIG. 2 is a rear perspective view thereof.

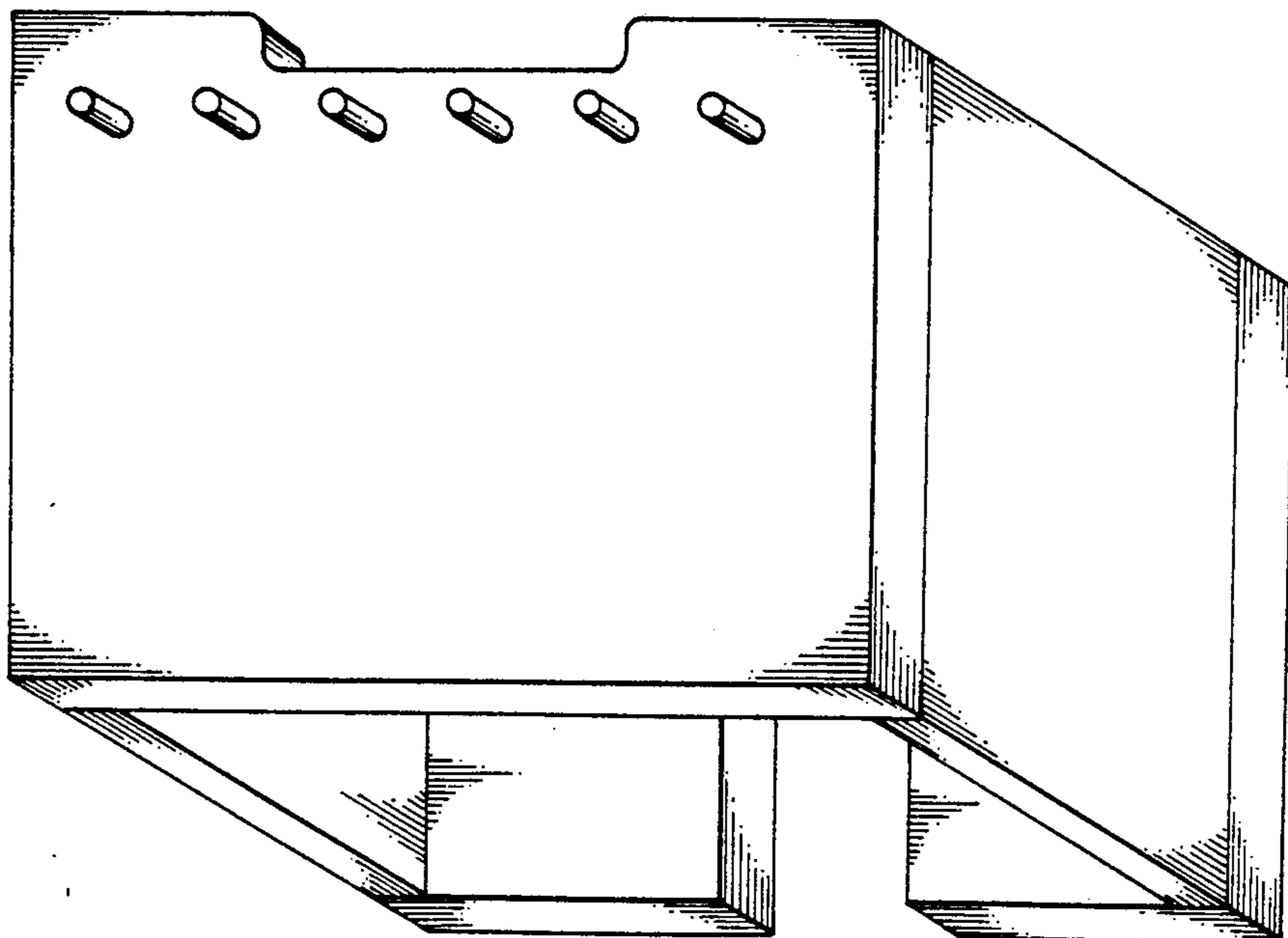
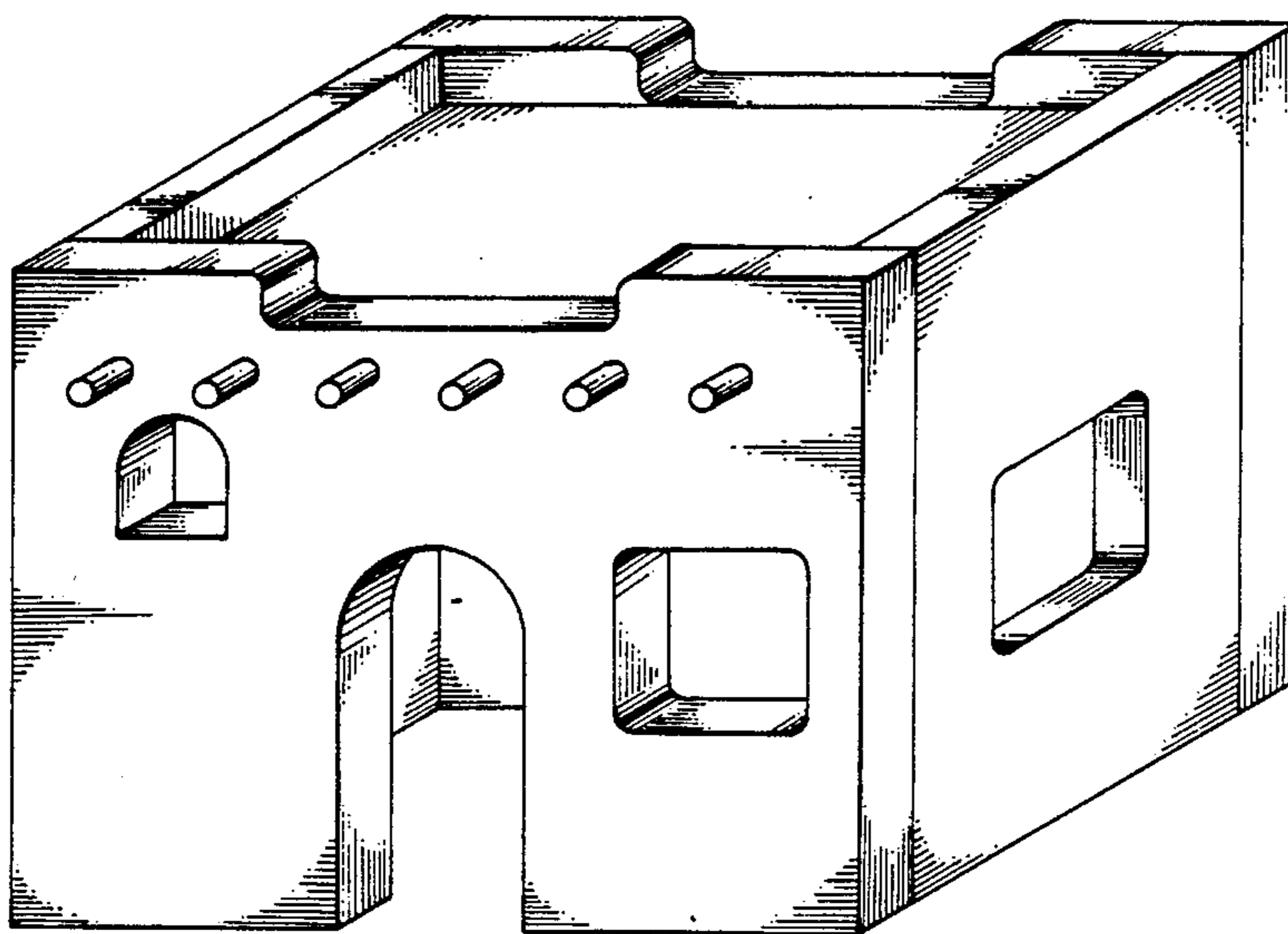
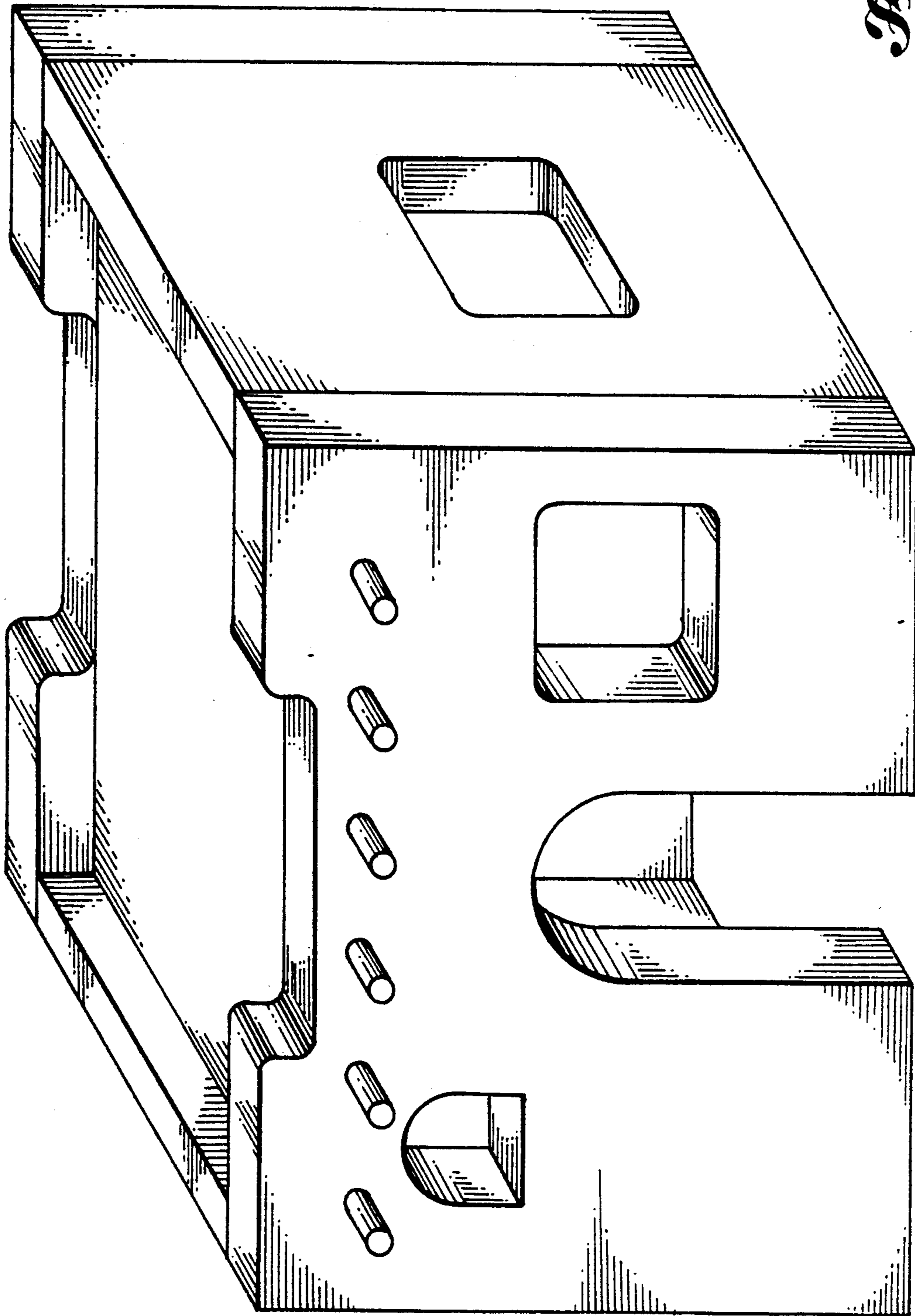


Fig. 1



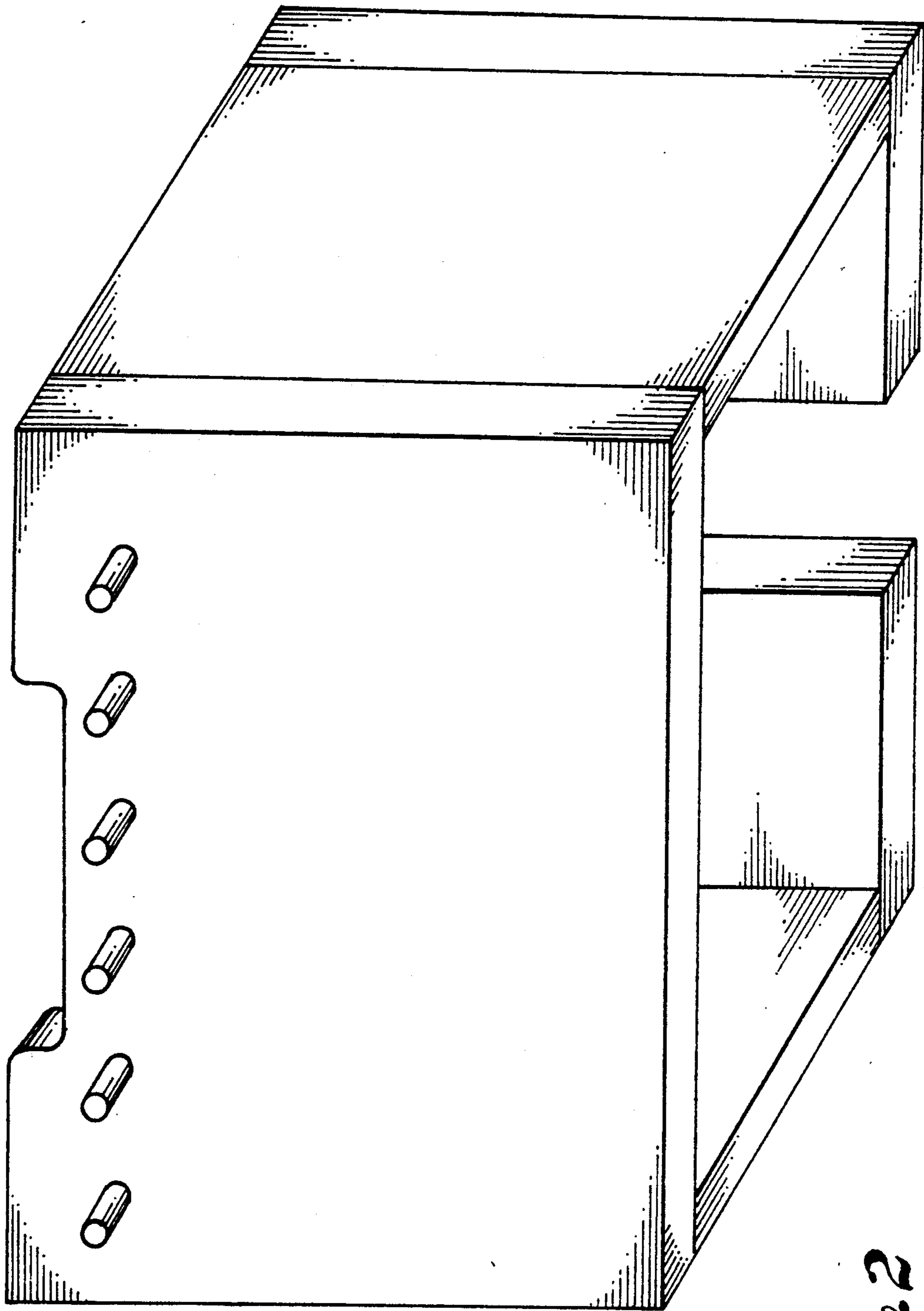


Fig. 2

UNITED STATES PATENT AND TRADEMARK OFFICE
CERTIFICATE OF CORRECTION

PATENT NO. : Des. 314,854
DATED : February 26, 1991
INVENTOR(S) : Paula C. Ryan

It is certified that error appears in the above-identified patent and that said Letters Patent is hereby corrected as shown below.

On the cover page, under "UNITED STATES PATENT",
"Brown" should be -- Ryan --; and

replace "Paula C. Brown" with -- Paula C. Ryan -- as the
inventor.

Signed and Sealed this
Fifteenth Day of September, 1992

Attest:

Attesting Officer

DOUGLAS B. COMER

Acting Commissioner of Patents and Trademarks