

[54] **MAILBOX SIGNAL**

[76] **Inventor: Philip F. Taylor, 881 Walnut Dr., Dundee, Ill. 60118**

[**] **Term: 14 Years**

[21] **Appl. No.: 245,552**

[22] **Filed: Sep. 19, 1988**

[52] **U.S. Cl. D99/29**

[58] **Field of Search D99/29-33; 232/1 R, 17, 19-32, 34-39**

[56] **References Cited**

U.S. PATENT DOCUMENTS

2,480,469 8/1949 Horn 232/35
4,840,307 6/1989 Hartman 232/34 X

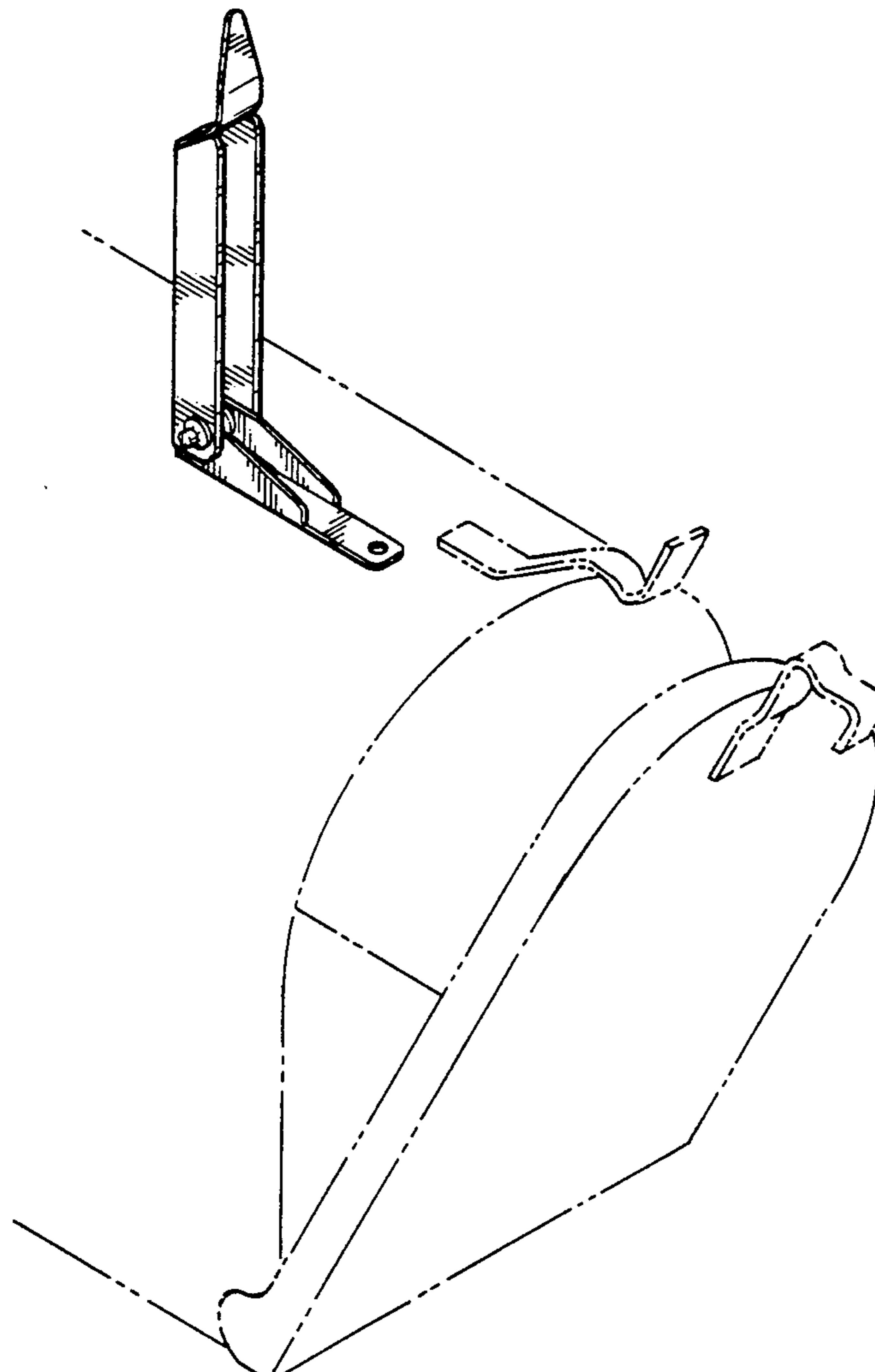
Primary Examiner—Nelson C. Holtje
Assistant Examiner—Gary D. Watson
Attorney, Agent, or Firm—Richard C. Litman

[57] **CLAIM**

The ornamental design for a mailbox signal, as shown and described.

DESCRIPTION

FIG. 1 is a top, front and left side perspective view of a mailbox signal showing my new design, the broken line showing of a mailbox is illustrative of environmental structure only and forms no part of my claimed design; FIG. 2 is a top, rear and right side perspective view thereof; FIG. 3 is a top, front and left side perspective view thereof similar to FIG. 1; FIG. 4 is a top plan view thereof, wherein the mailbox signal is shown in a folded position; FIG. 5 is a left side elevational view thereof, the right side is a mirror image thereof; FIG. 6 is a bottom plan view thereof; FIG. 7 is rear elevational view thereof, showing the mailbox signal in a folded position; FIG. 8 is a rear elevational view thereof, showing the mailbox signal in an open position; FIG. 9 is a front elevational view thereof, showing the mailbox signal in an open position; and FIG. 10 is a front elevational view thereof, showing the mailbox signal in a folded position.



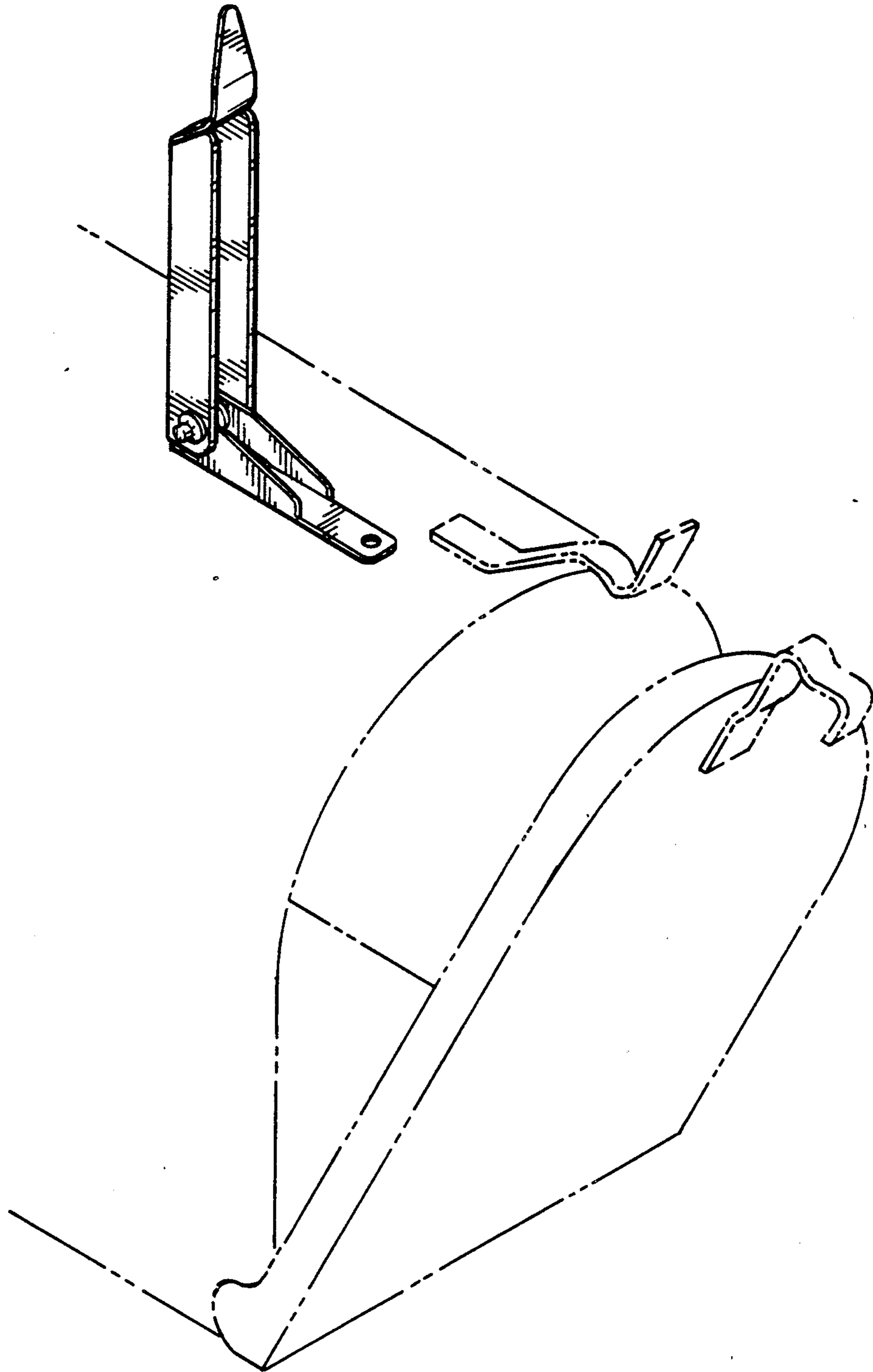


FIG. 1

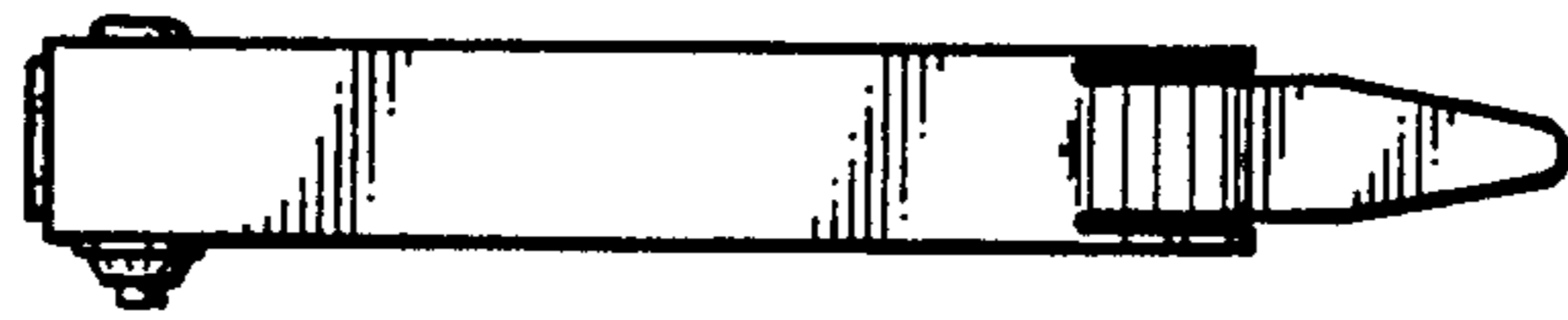
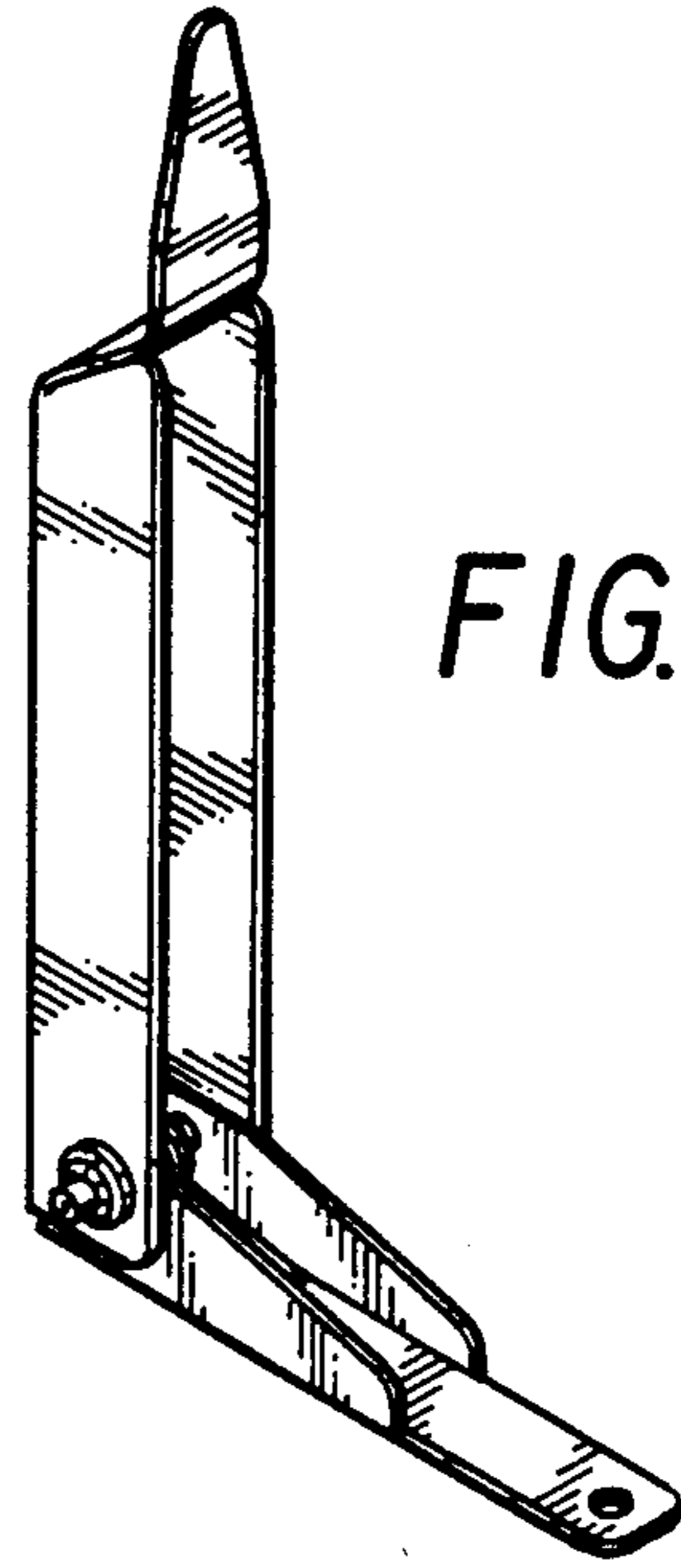
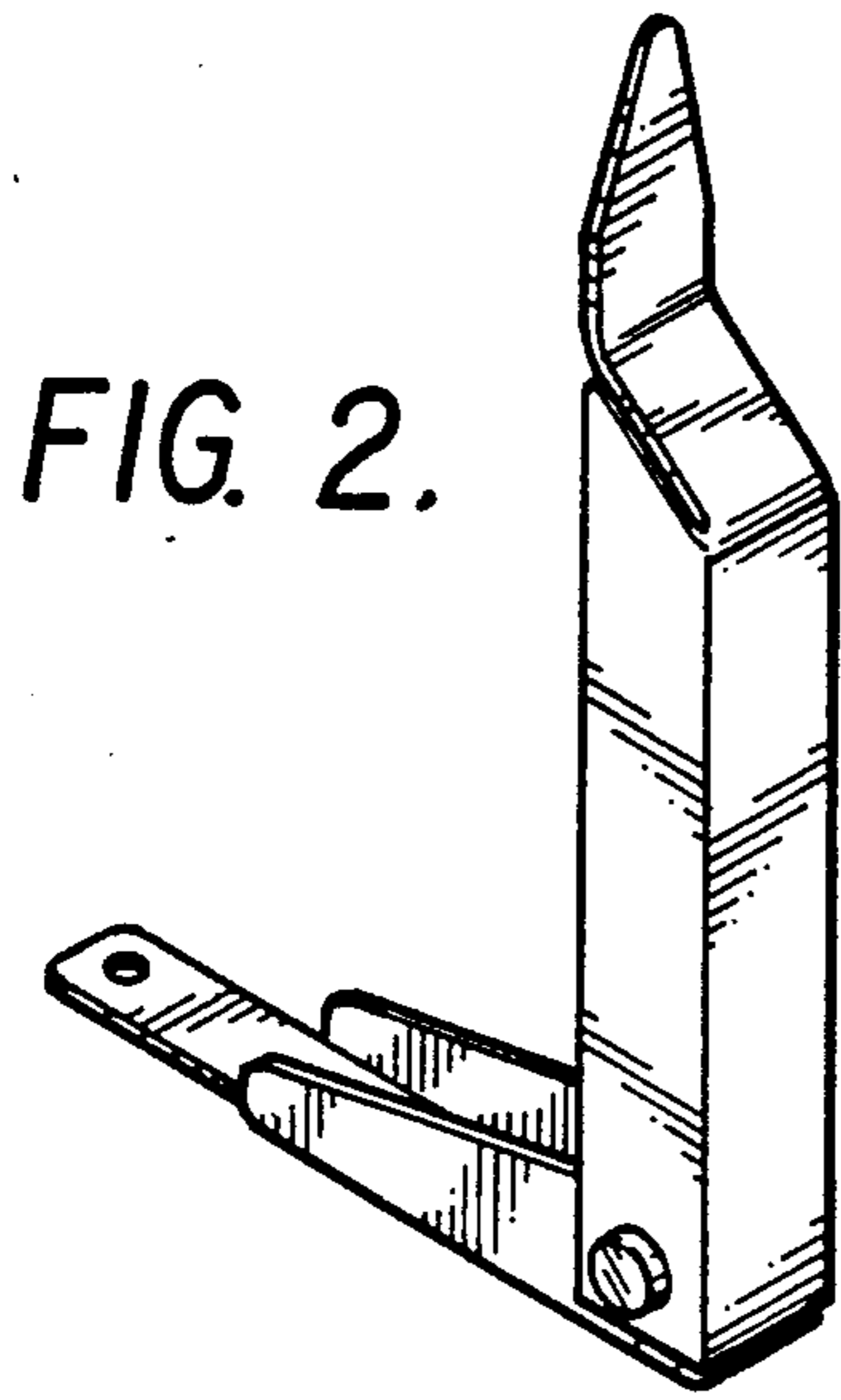


FIG. 4



FIG. 5

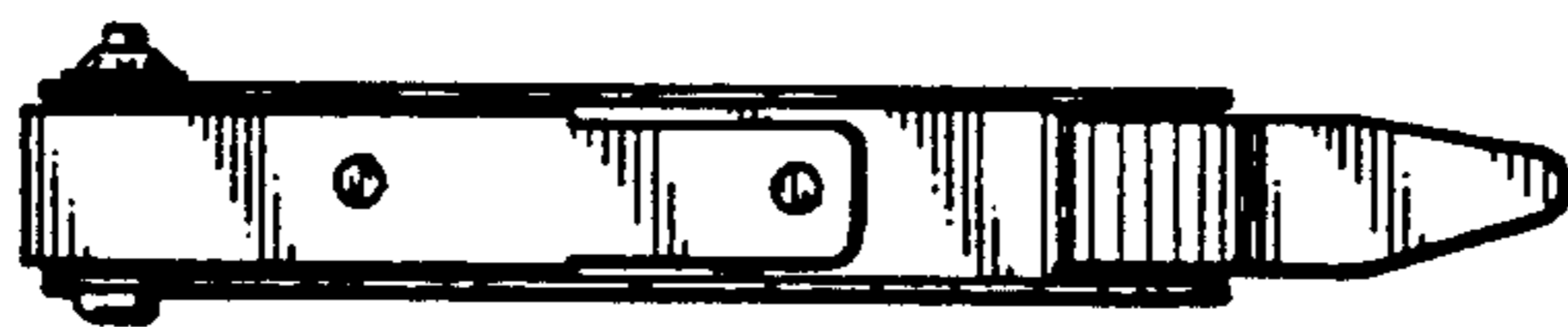


FIG. 6

FIG. 7



FIG. 8

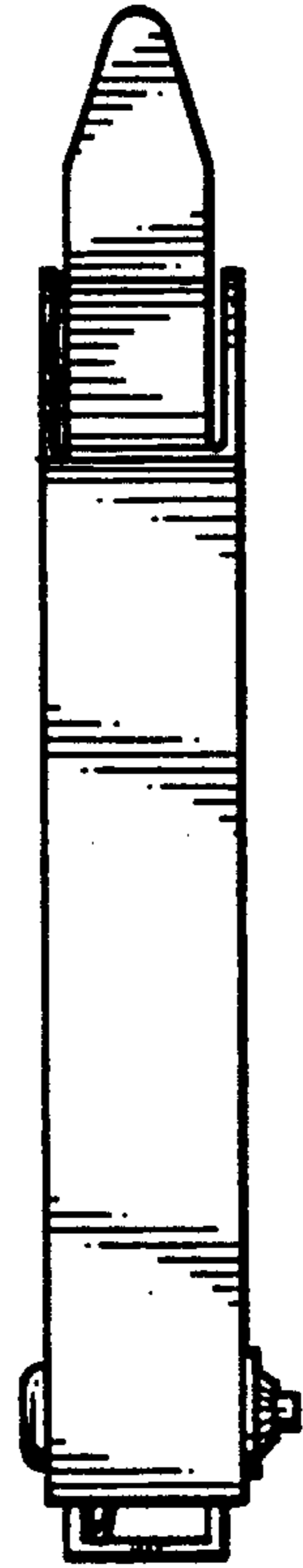


FIG. 9

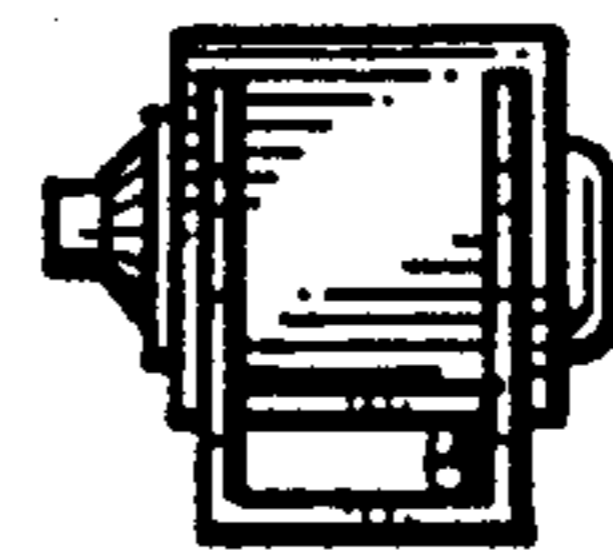
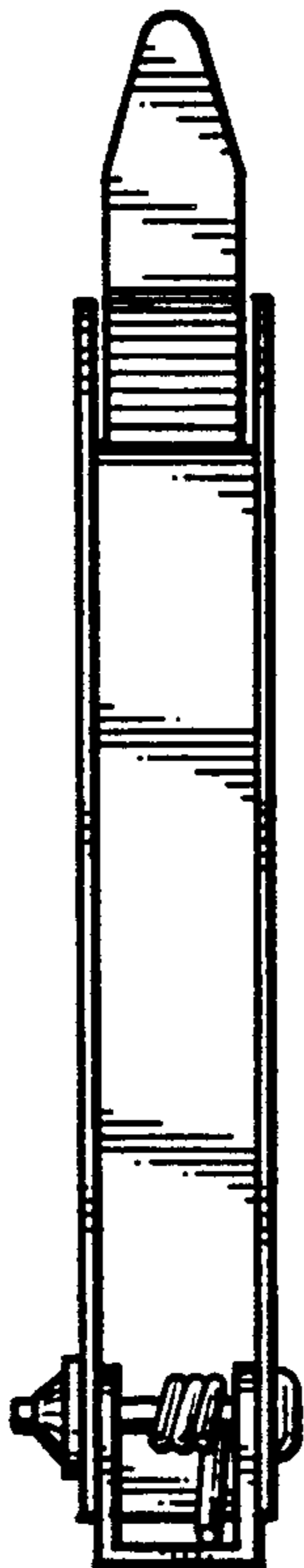


FIG. 10