

[54] **RECREATIONAL VEHICLE LEVELING RAMP**

[76] **Inventor: Christopher H. Arnold, 7500 E. Easy St., Simi Valley, Calif. 93065**

[\*\*] **Term: 14 Years**

[21] **Appl. No.: 83,419**

[22] **Filed: Aug. 7, 1987**

[52] **U.S. Cl. .... D34/32**

[58] **Field of Search ..... D34/32, 28; 254/88, 254/104, 5 R, 5 B; 248/188.2, 346, 352**

[56] **References Cited**

**U.S. PATENT DOCUMENTS**

1,791,986	2/1931	Vehon .....	254/88
2,450,648	10/1948	Fielzer .....	254/88
4,050,403	9/1977	Miller .....	254/88
4,103,870	8/1978	Murakami .....	D34/32
4,836,501	6/1989	Baer .....	254/88

*Primary Examiner—Kay H. Chin  
Attorney, Agent, or Firm—Poms, Smith, Lande & Rose*

[57] **CLAIM**

The ornamental design for a recreational vehicle leveling ramp, as shown and described.

**DESCRIPTION**

FIG. 1 is a left side, top and front perspective view of a recreational vehicle leveling ramp showing my new design;

FIG. 2 is a right side elevational view thereof;

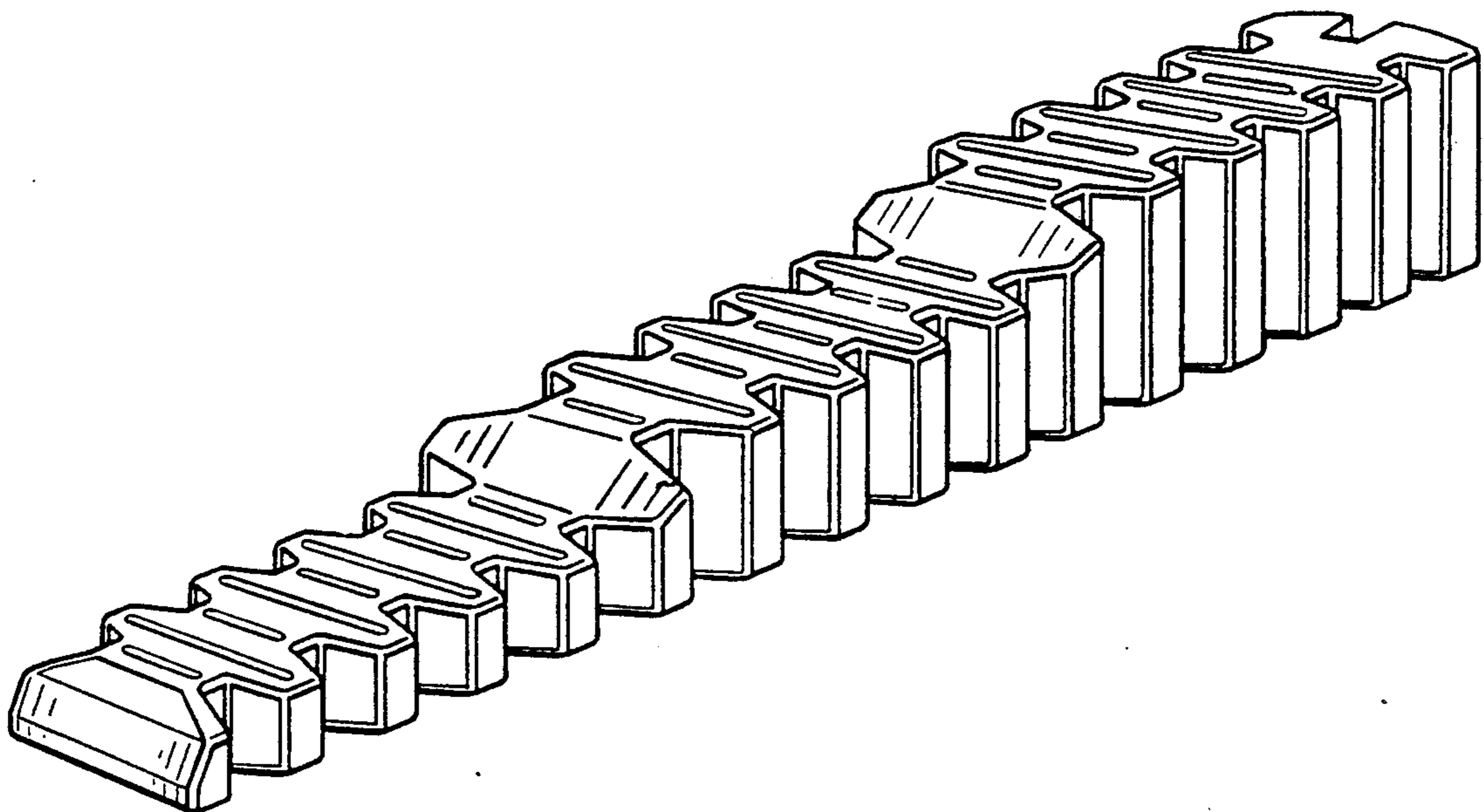
FIG. 3 is a top plan view thereof;

FIG. 4 is a front elevational view thereof;

FIG. 5 is a rear elevational view thereof;

FIG. 6 is a bottom plan view thereof; and

FIG. 7 is a top plan view of a second embodiment of the recreational vehicle leveling ramp, the sole different from the first embodiment being in the rounded configuration of the side grooves of the ramp.



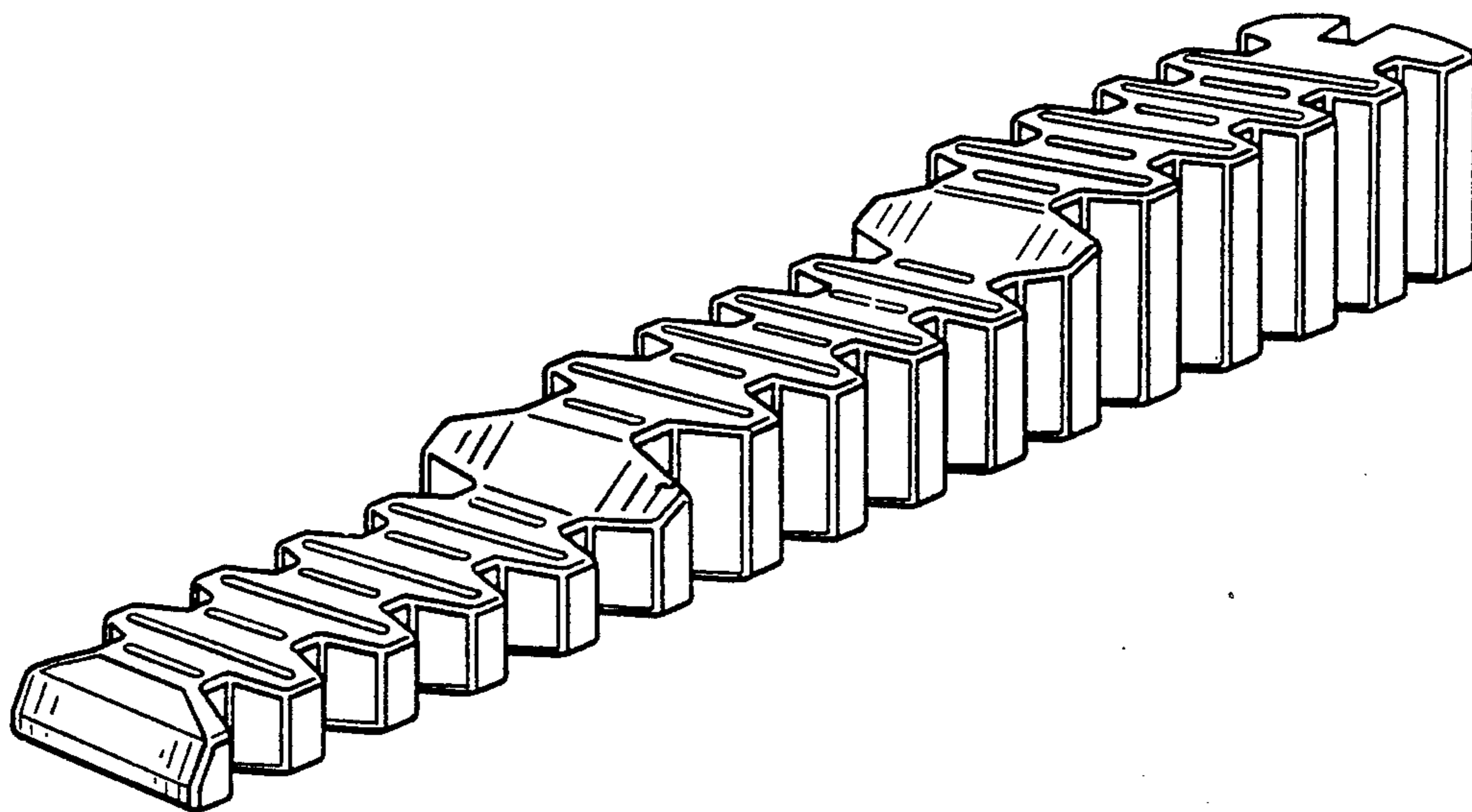


FIG. 1

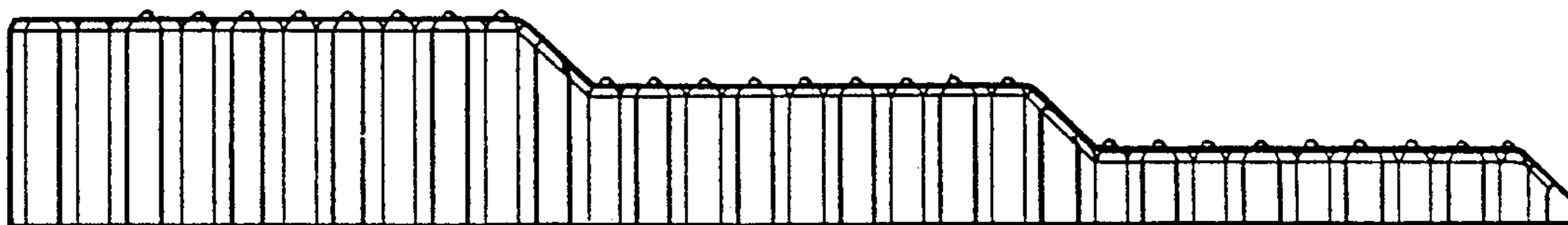


FIG. 2

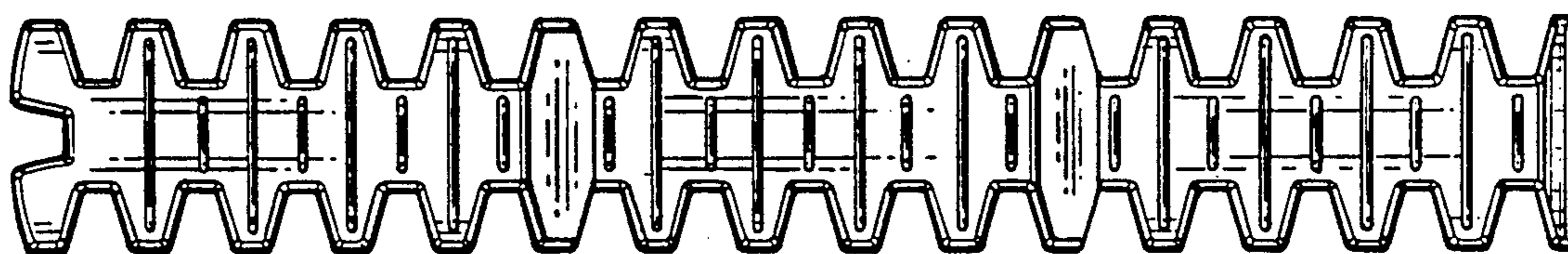


FIG. 3

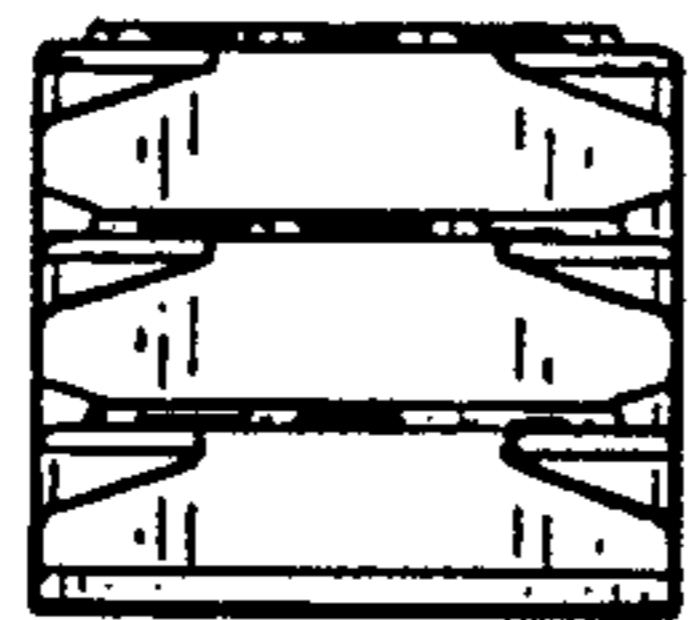


FIG. 4

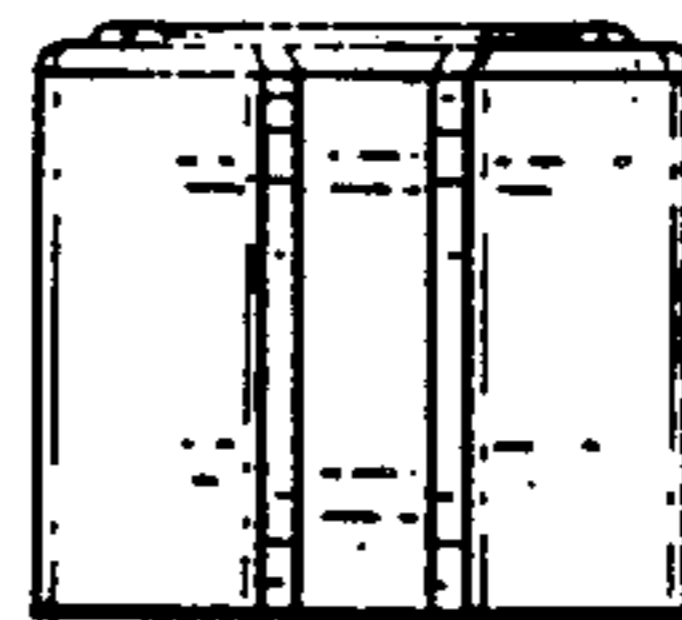


FIG. 5

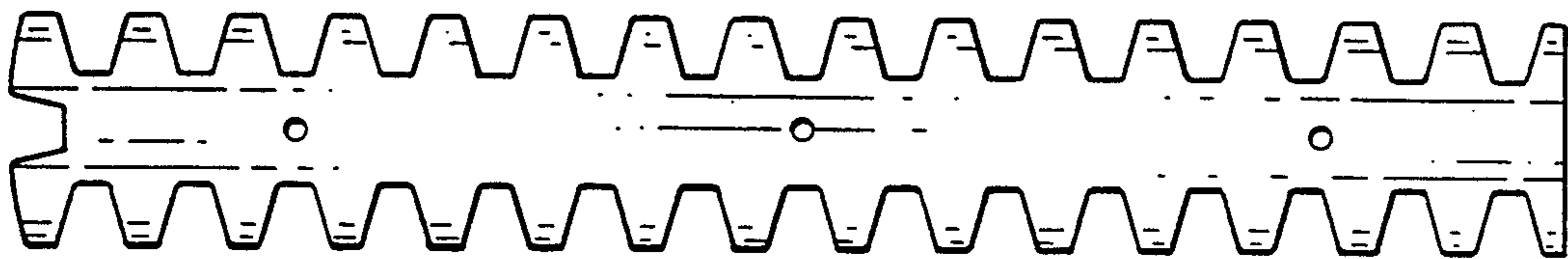


FIG. 6

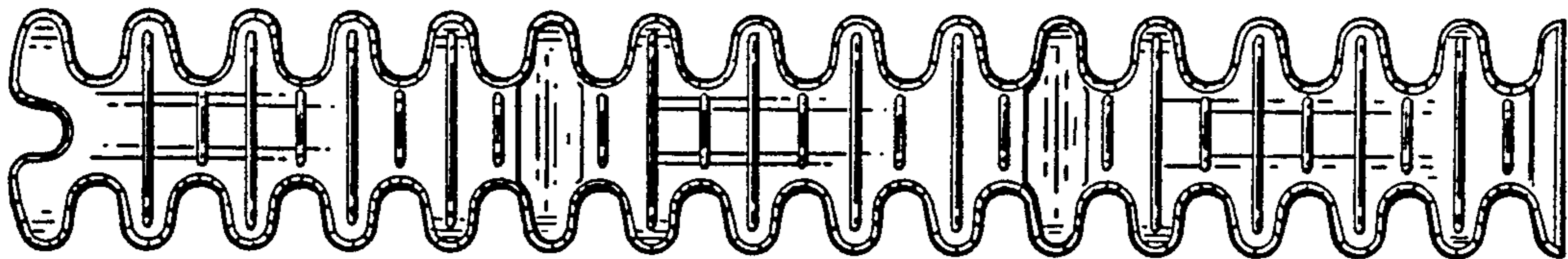


FIG. 7